



US00D720109S

(12) **United States Design Patent**  
**Huang**

(10) **Patent No.:** **US D720,109 S**

(45) **Date of Patent:** **\*\* Dec. 23, 2014**

(54) **DISH DRAINER**

(71) Applicant: **Anho Houseware Co., Ltd.**  
**(Jiangmen)**, Guangdong (CN)

(72) Inventor: **Jianming Huang**, Guangdong (CN)

(73) Assignee: **Anho Houseware Co., Ltd.**  
**(Jiangmen)**, Jiangmen, Guangdong (CN)

(\*\*) Term: **14 Years**

(21) Appl. No.: **29/454,269**

(22) Filed: **May 8, 2013**

(51) **LOC (10) Cl.** ..... **07-05**

(52) **U.S. Cl.**  
USPC ..... **D32/55**

(58) **Field of Classification Search**  
USPC ..... D32/55-56, 58; 4/637, 656;  
211/41.2-41.4, 41.8-41.9, 181.1,  
211/126.8-126.9, 85.25, 86.01, 88.01;  
220/485, 487-488, 494, 572; D6/462,  
D6/683; D7/667; D23/207  
See application file for complete search history.

(56) **References Cited**

**U.S. PATENT DOCUMENTS**

D373,866	S	*	9/1996	Belden et al.	.....	D32/55
D492,457	S	*	6/2004	Soroka	.....	D32/55
D520,699	S	*	5/2006	Yang et al.	.....	D32/55
D534,701	S	*	1/2007	Schmidt	.....	D32/55
D555,310	S	*	11/2007	Yang et al.	.....	D32/55
D555,311	S	*	11/2007	Yang et al.	.....	D32/55
D559,491	S	*	1/2008	Yang et al.	.....	D32/55
7,407,059	B2	*	8/2008	Sullivan et al.	.....	211/41.3
D581,619	S	*	11/2008	Yang et al.	.....	D32/55
D586,061	S	*	2/2009	Curtin	.....	D32/55

D589,222	S	*	3/2009	Gicela et al.	.....	D32/57
D599,067	S	*	8/2009	Yang et al.	.....	D32/55
D599,068	S	*	8/2009	Yang et al.	.....	D32/55
D599,519	S	*	9/2009	Cohen	.....	D32/55
D634,089	S	*	3/2011	Wisniewski	.....	D32/55
D647,678	S	*	10/2011	Yang et al.	.....	D32/55
D670,882	S	*	11/2012	Meredith	.....	D32/55

\* cited by examiner

*Primary Examiner* — Austin Murphy

(74) *Attorney, Agent, or Firm* — Faegre Baker Daniels LLP

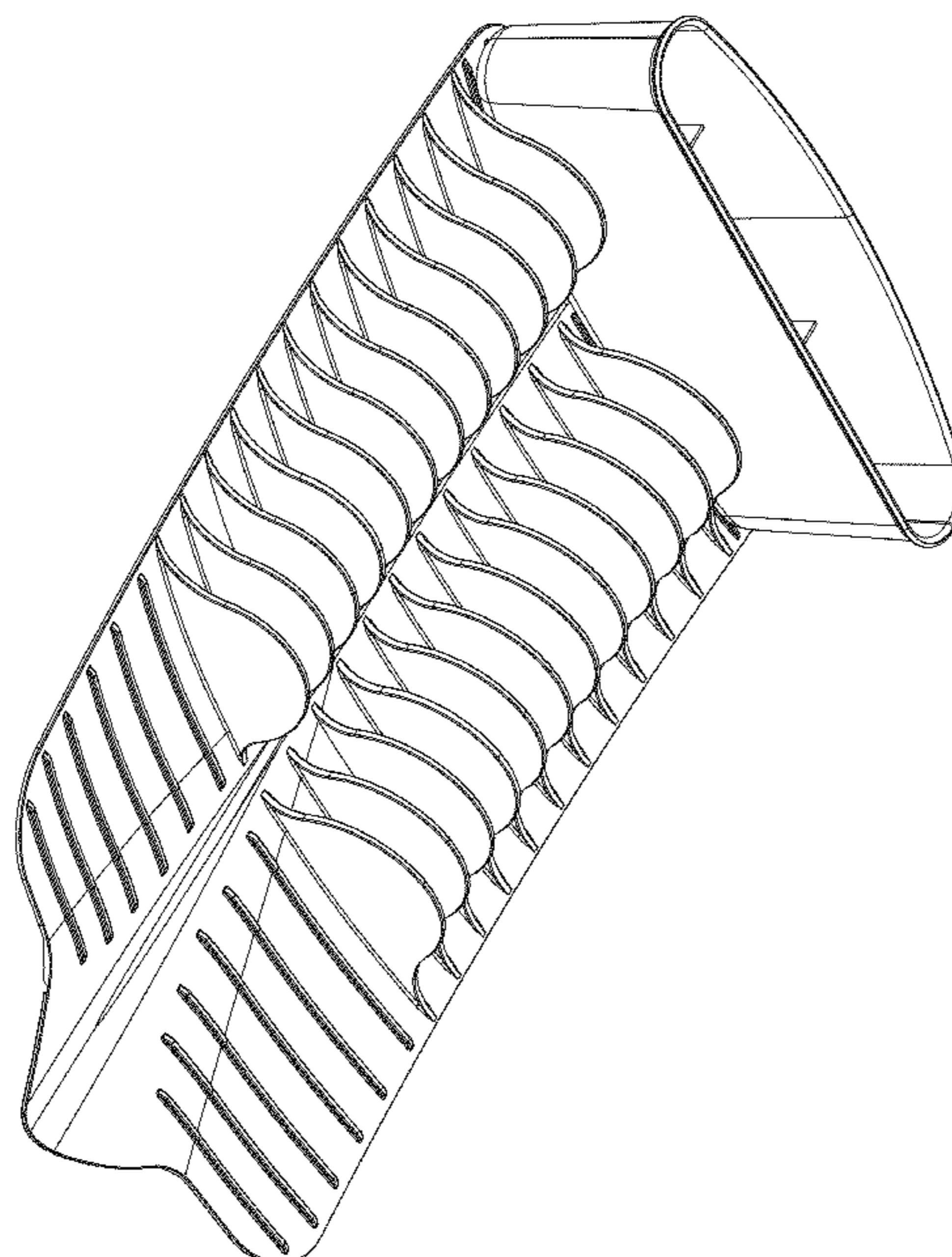
(57) **CLAIM**

I claim the ornamental design for the dish drainer, as shown and described.

**DESCRIPTION**

FIG. 1 is a front view of a dish drainer according to the present application;  
 FIG. 2 is a rear view of a dish drainer according to the present application;  
 FIG. 3 is a left view of the dish drainer according to the present application;  
 FIG. 4 is a right view of the dish drainer according to the present application;  
 FIG. 5 is a top view of the dish drainer according to the present application;  
 FIG. 6 is a bottom view of the dish drainer according to the present application;  
 FIG. 7 is a first perspective view of the dish drainer according to the present application;  
 FIG. 8 is a perspective view of the dish drainer shown in an alternate position of use;  
 FIG. 9 is a bottom perspective view of FIG. 7; and,  
 FIG. 10 is an additional view of FIG. 7 with the cutlery holder shown in an alternate position for completeness of illustration.

**1 Claim, 10 Drawing Sheets**



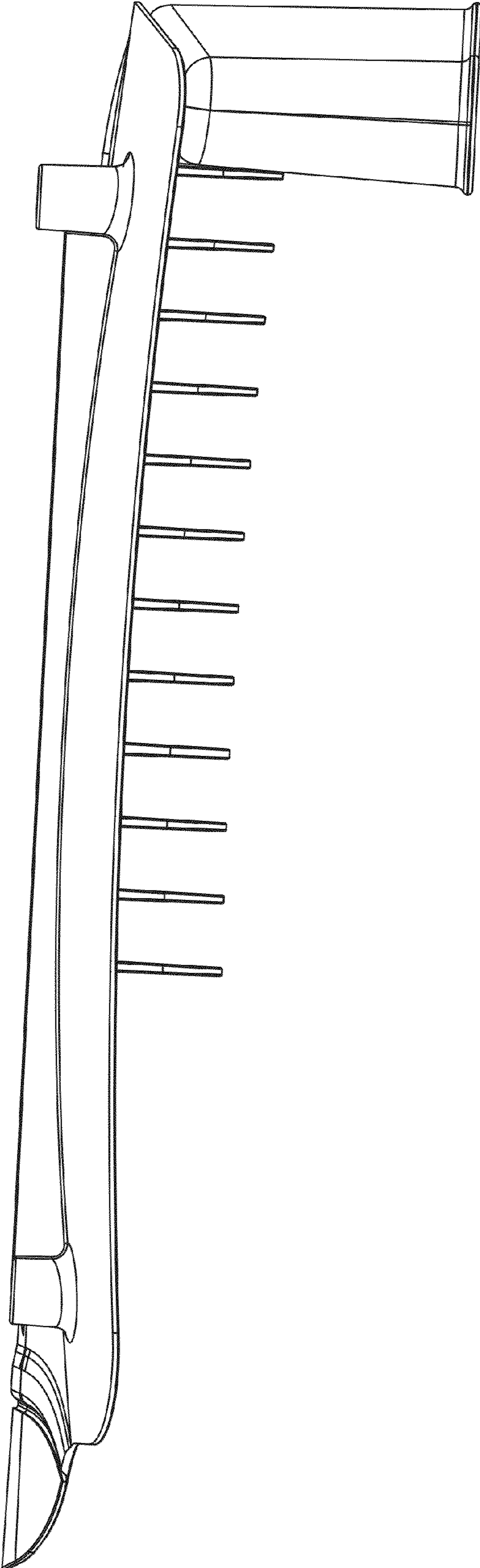


Figure 1

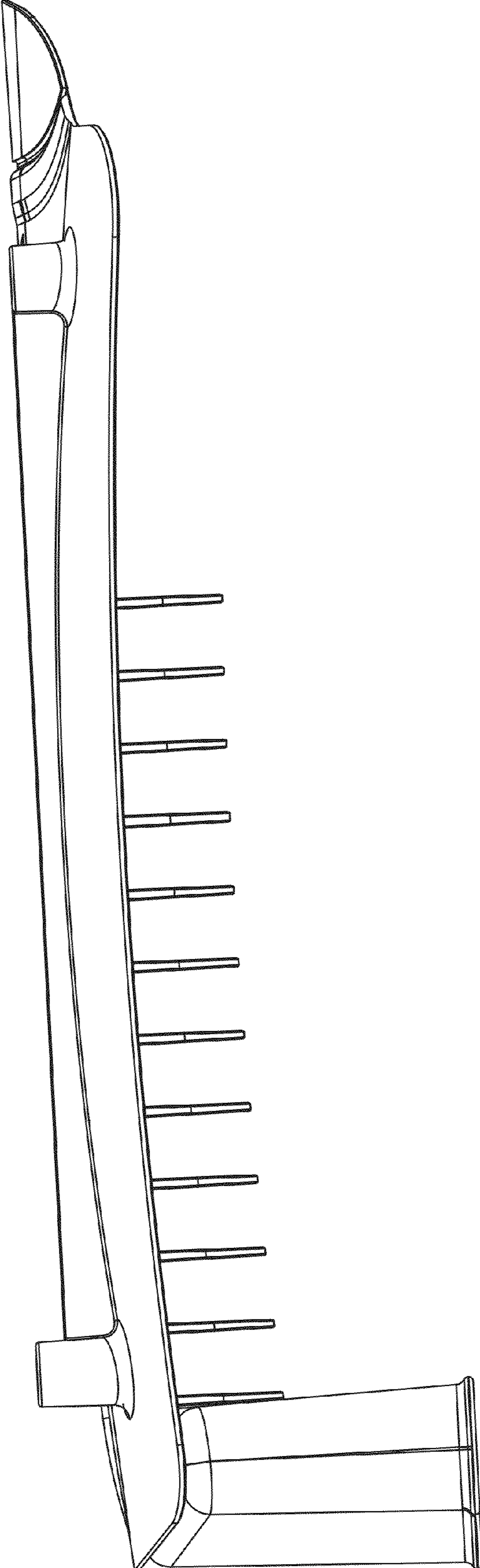


Figure 2

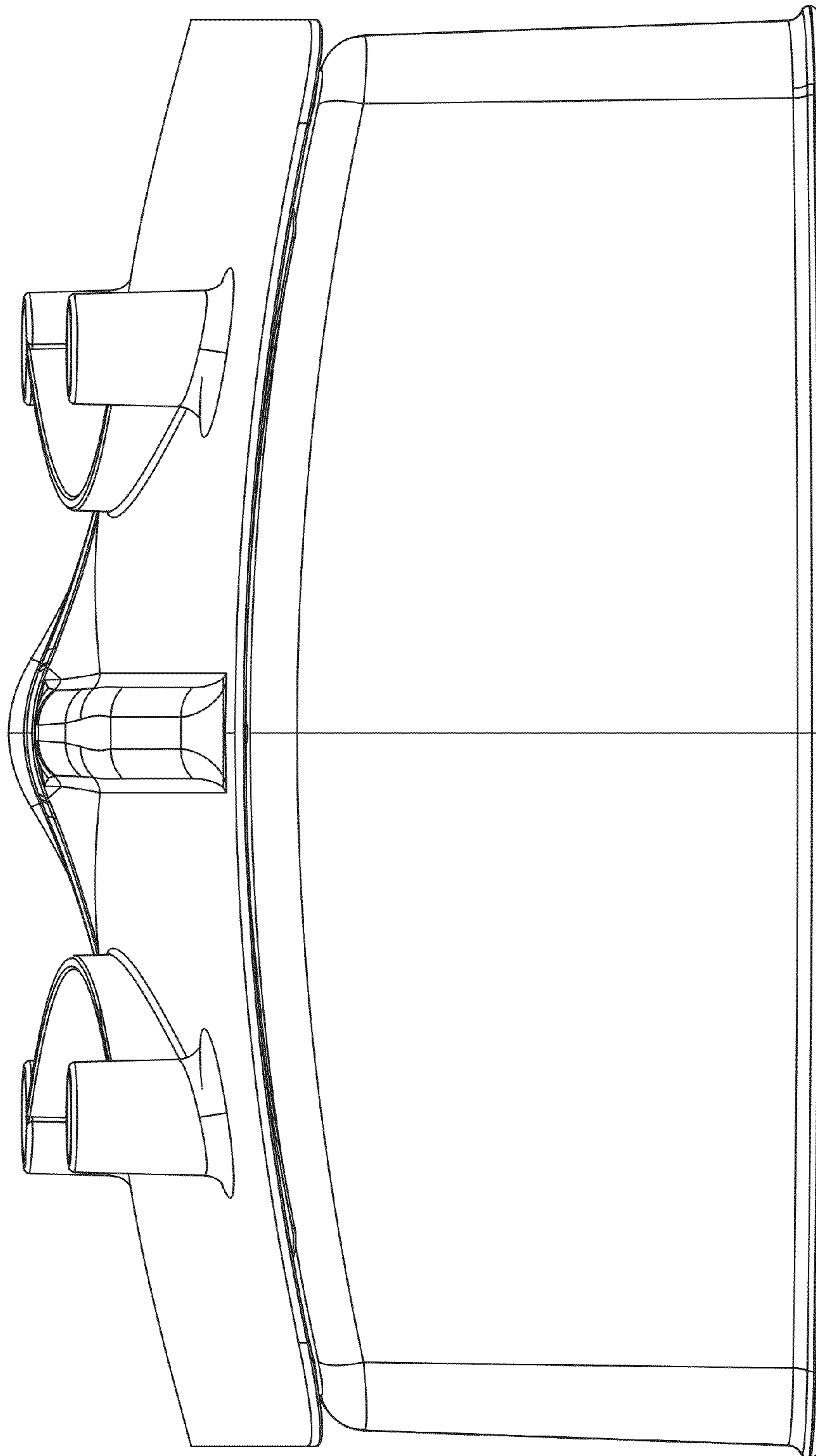


Figure 3

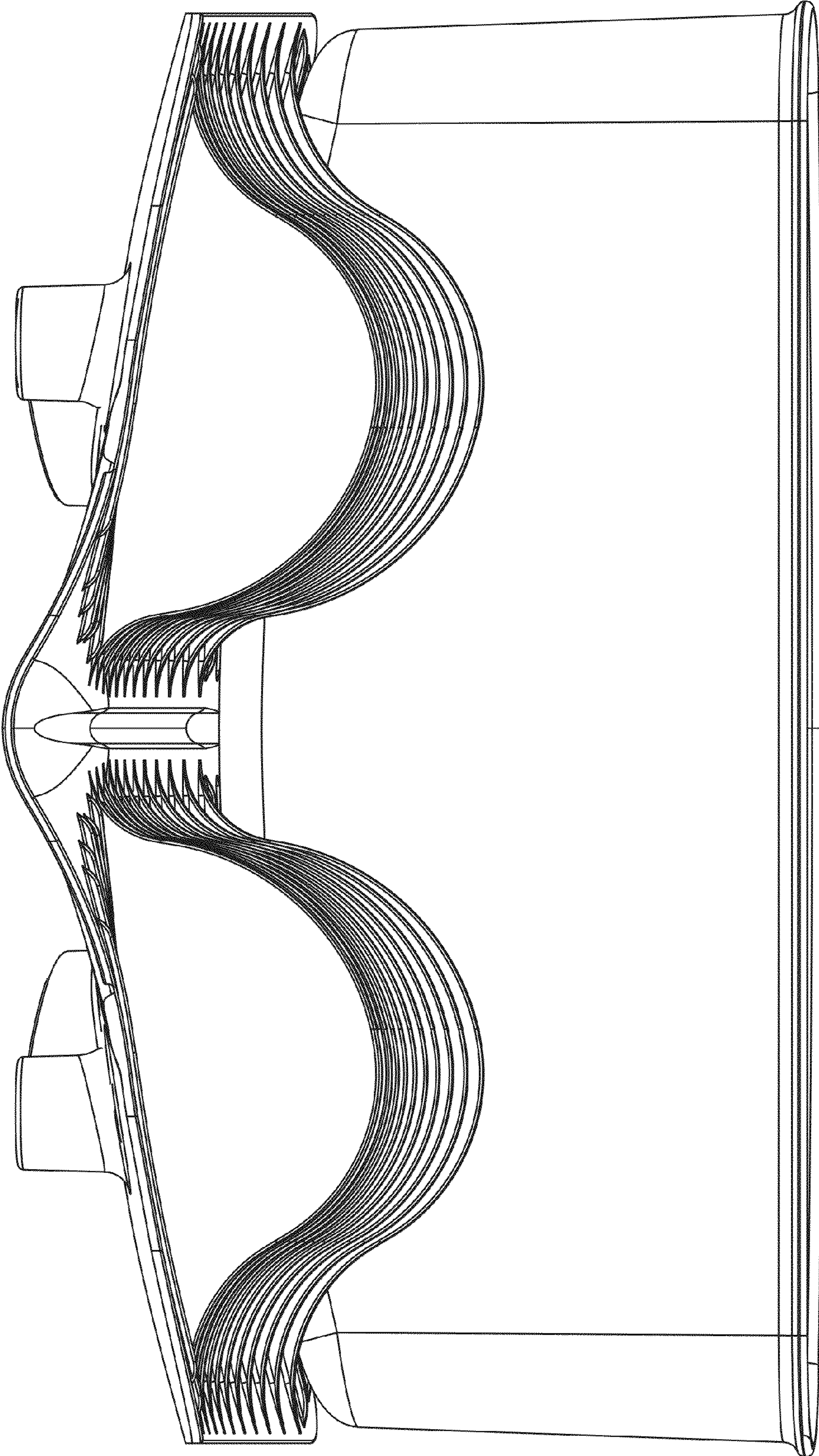


Figure 4

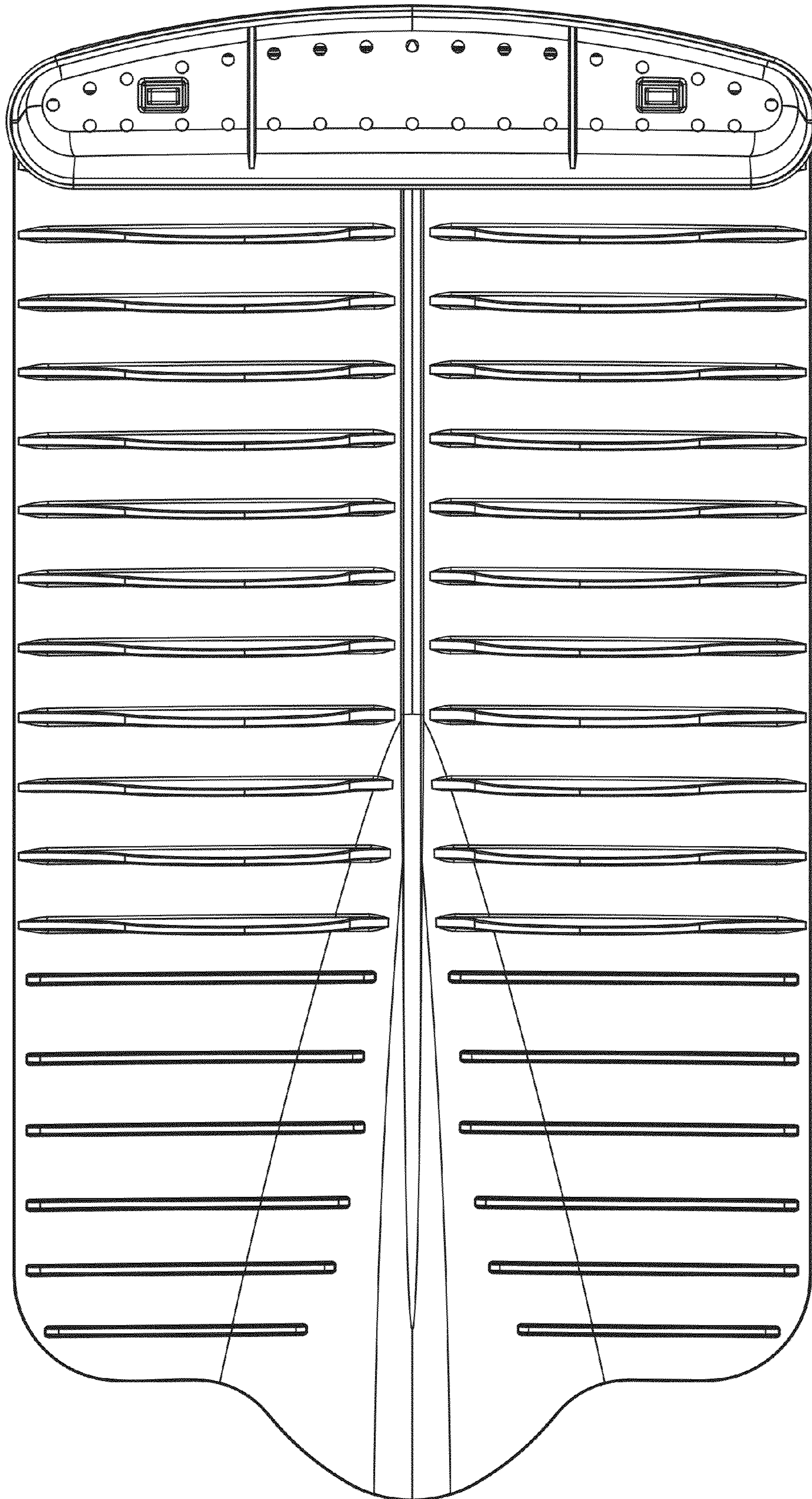


Figure 5

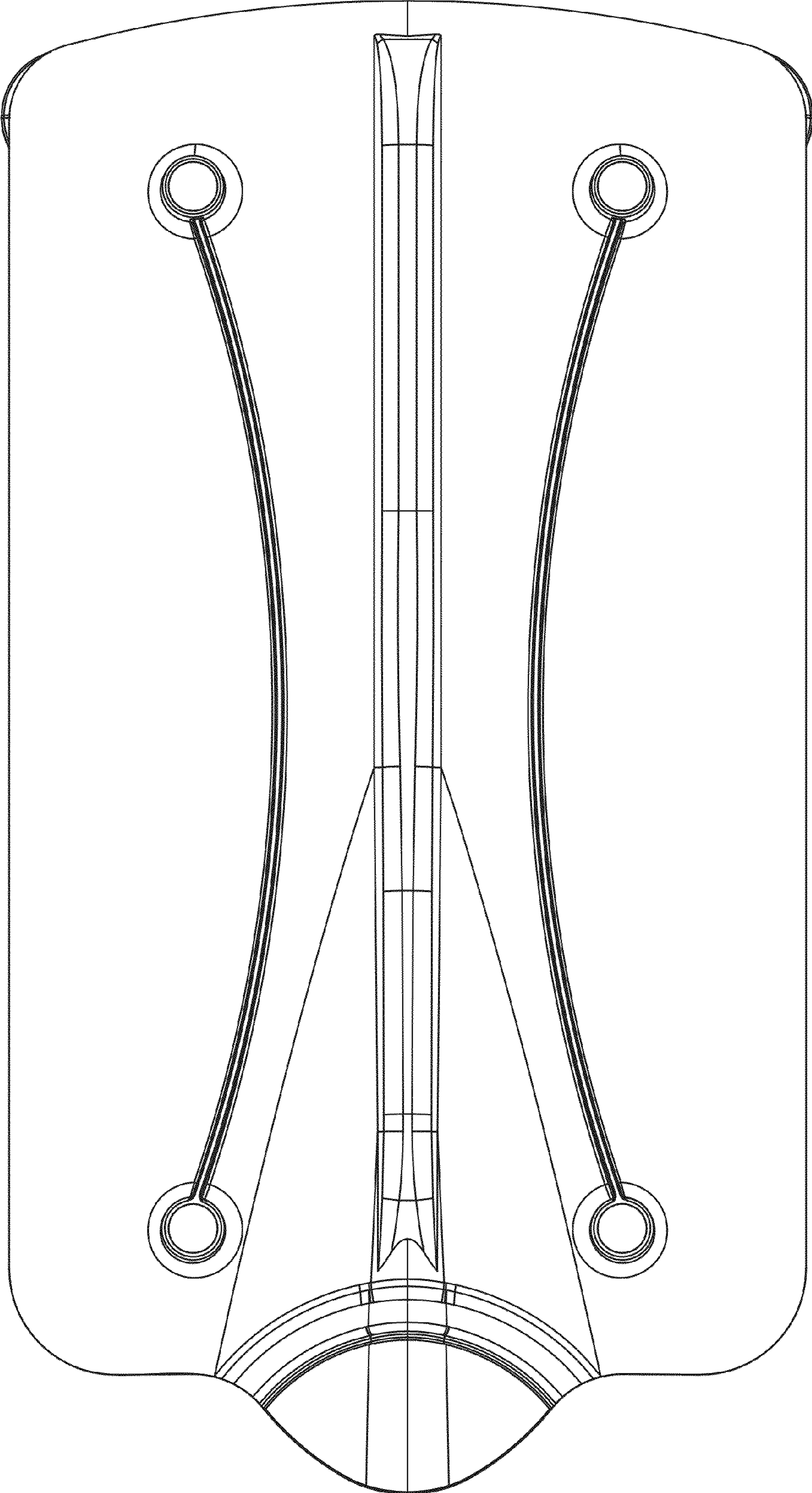


Figure 6

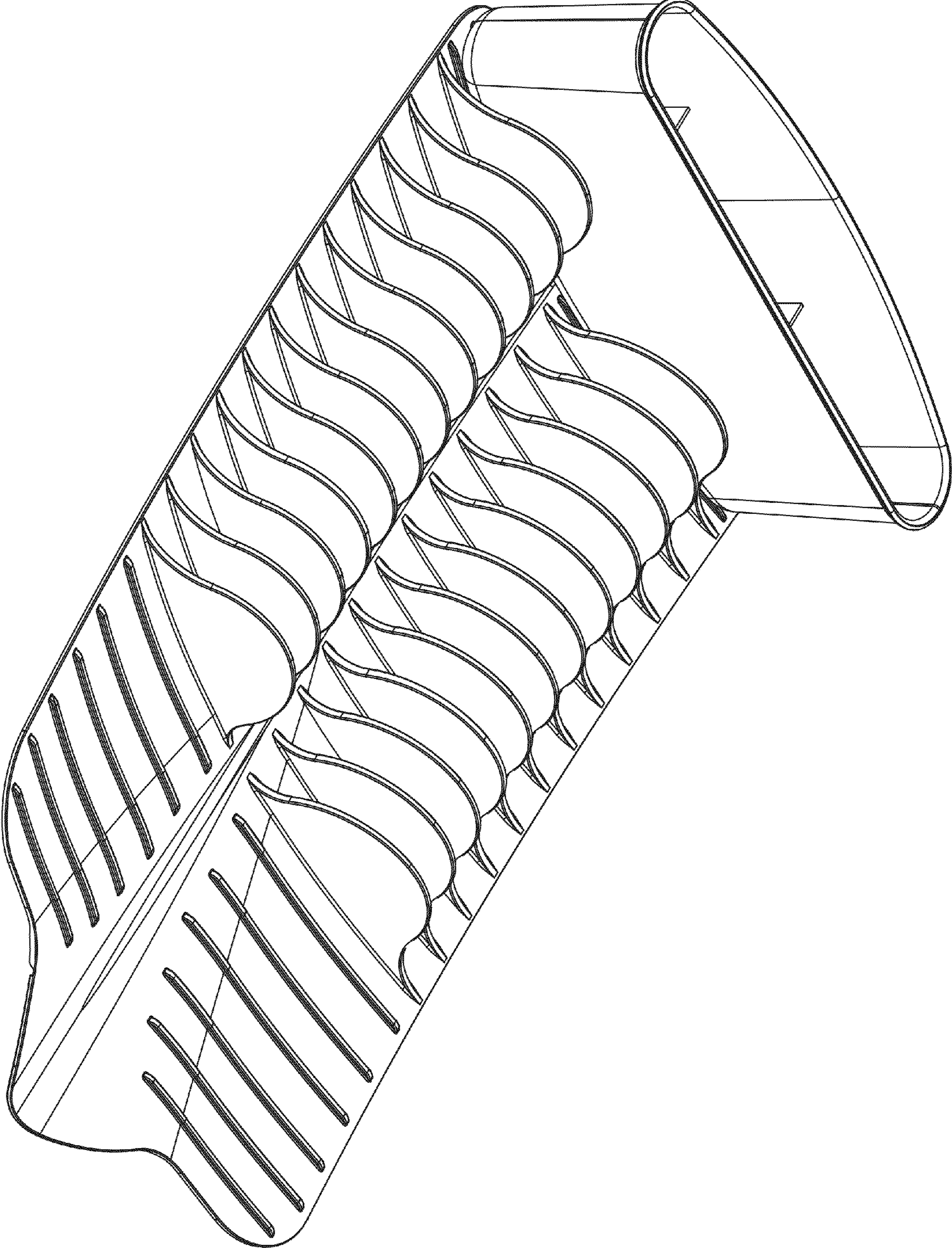


Figure 7



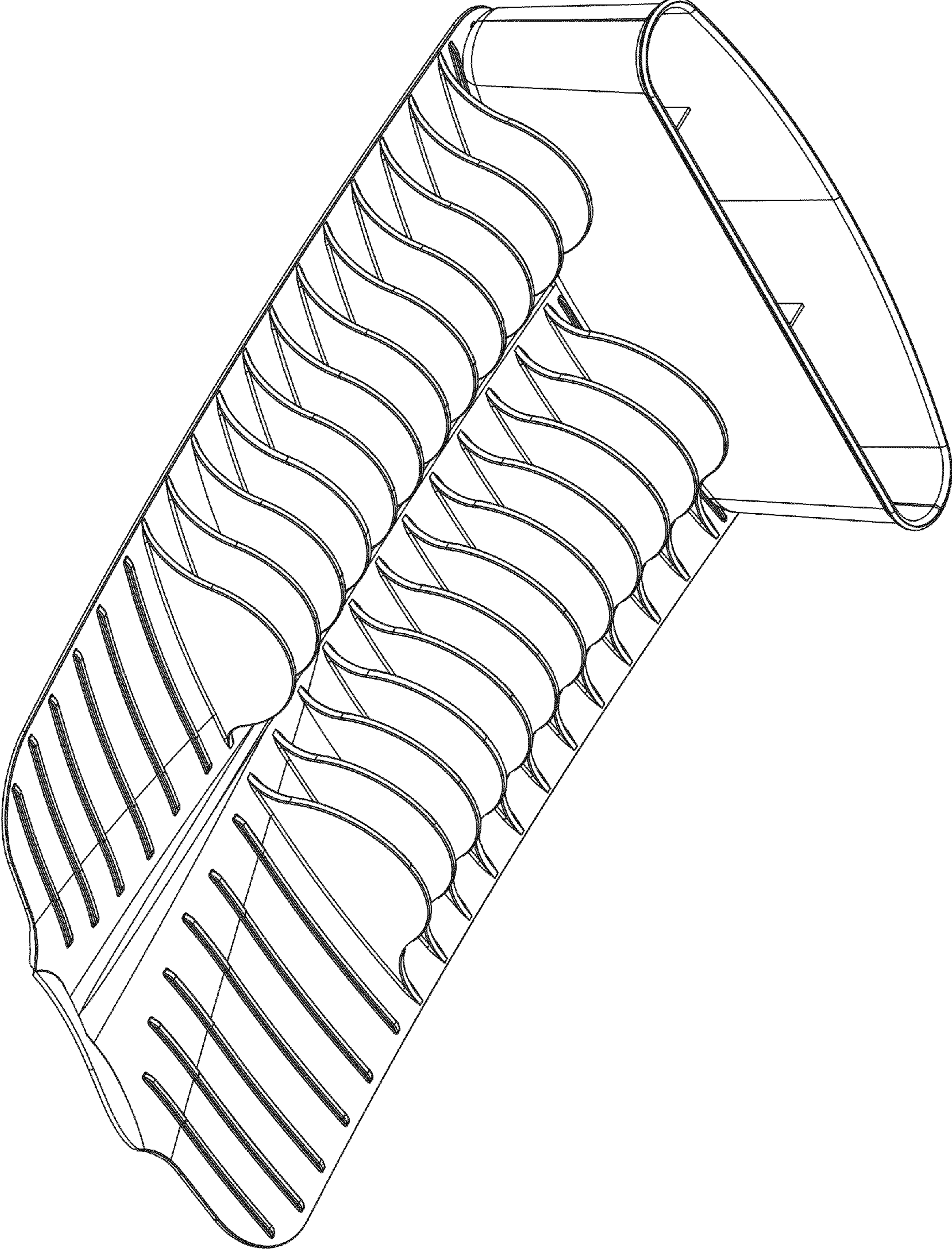


Figure 8

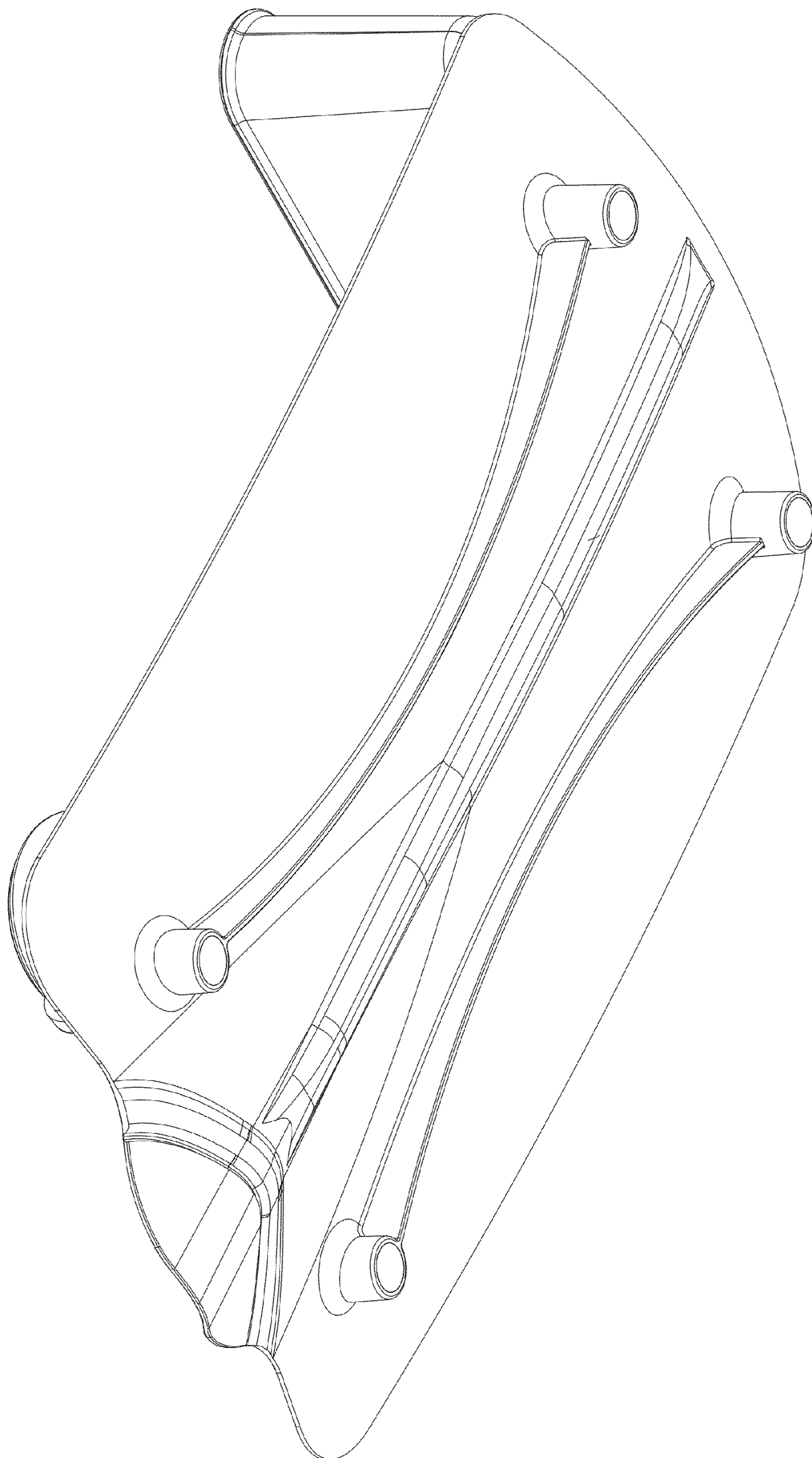


Figure 9

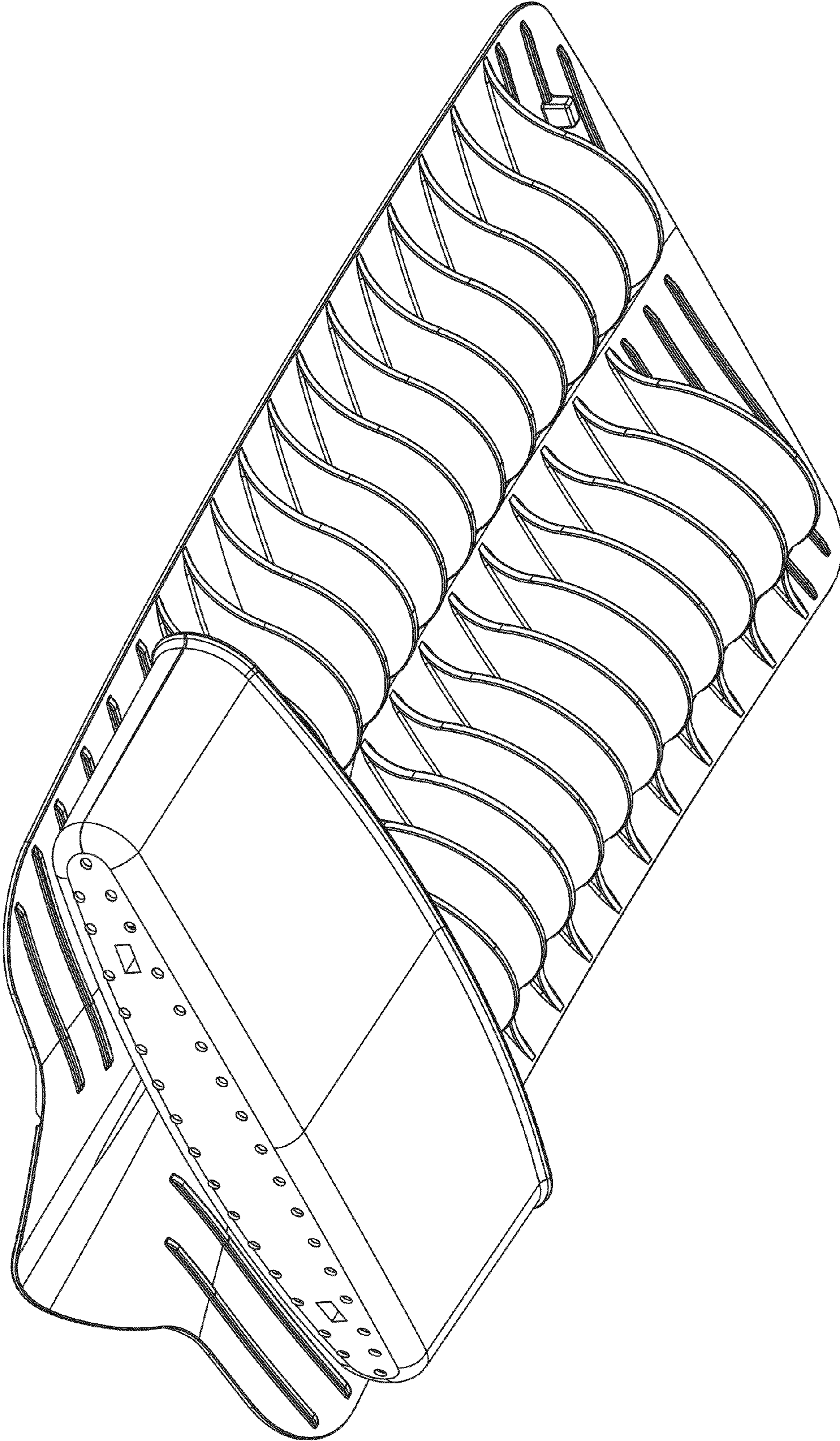


Figure 10