



US00D720106S

(12) **United States Design Patent**
Zemel et al.

(10) **Patent No.:** **US D720,106 S**
(45) **Date of Patent:** **** Dec. 23, 2014**

(54) **DUAL HANDLE STONE GRILL CLEANER**

(71) Applicant: **Blue Rhino Global Sourcing, Inc.**,
Liberty, MO (US)

(72) Inventors: **Marc Zemel**, Old Bethpage, NY (US);
Adam Schillen, Dix Hills, NY (US)

(73) Assignee: **Blue Rhino Global Sourcing, Inc.**,
Liberty, MO (US)

(**) Term: **14 Years**

(21) Appl. No.: **29/472,602**

(22) Filed: **Nov. 14, 2013**

(51) **LOC (10) Cl.** **04-01**

(52) **U.S. Cl.**
USPC **D32/40; D4/138**

(58) **Field of Classification Search**
USPC **D32/40-46; D4/138; 15/210, 229.11,**
15/121, 236.01

See application file for complete search history.

(56) **References Cited**

U.S. PATENT DOCUMENTS

| | | | |
|-----------|---|---------|-------------------|
| 2,167,196 | A | 7/1939 | Bothum |
| 2,186,832 | A | 1/1940 | Hertzberg |
| D138,896 | S | 9/1944 | Edmonds |
| D189,235 | S | 11/1960 | Racina |
| 3,629,895 | A | 12/1971 | Colgan |
| 4,056,863 | A | 11/1977 | Gunjian |
| 4,091,579 | A | 5/1978 | Giangiulio |
| 4,146,943 | A | 4/1979 | Wertheimer et al. |
| 4,730,949 | A | 3/1988 | Wilson |
| D344,634 | S | 3/1994 | Berti |
| D345,653 | S | 4/1994 | Joyner et al. |
| D355,529 | S | 2/1995 | Tsai |
| D358,491 | S | 5/1995 | Hoagland |
| D362,937 | S | 10/1995 | Camp, Jr. et al. |
| 5,471,700 | A | 12/1995 | Pereira |
| D366,962 | S | 2/1996 | Whitaker |

| | | | |
|-----------|------|---------|-----------------------------|
| D369,472 | S | 5/1996 | Laubach, III et al. |
| D373,251 | S | 9/1996 | Young |
| D381,483 | S | 7/1997 | Hartman |
| D389,625 | S * | 1/1998 | Feldman et al. D32/49 |
| D392,104 | S | 3/1998 | Berti |
| D400,328 | S | 10/1998 | Zemel |
| D403,165 | S | 12/1998 | Ferrante et al. |
| D429,889 | S | 8/2000 | Fielding |
| 6,216,306 | B1 * | 4/2001 | Esterson et al. 15/111 |
| D455,272 | S | 4/2002 | Zemel |
| D456,614 | S | 5/2002 | Zemel |
| 6,438,784 | B1 | 8/2002 | Yu |
| 6,443,646 | B1 | 9/2002 | MacDonald |
| D468,107 | S | 1/2003 | Shen |
| D502,001 | S | 2/2005 | Hay |
| 7,047,590 | B2 * | 5/2006 | Neal et al. 15/111 |
| D532,609 | S | 11/2006 | Zemel |
| D563,677 | S | 3/2008 | Zemel |

(Continued)

Primary Examiner — Robin V Webster

(74) *Attorney, Agent, or Firm* — Carter, DeLuca, Farrell & Schmidt, LLP

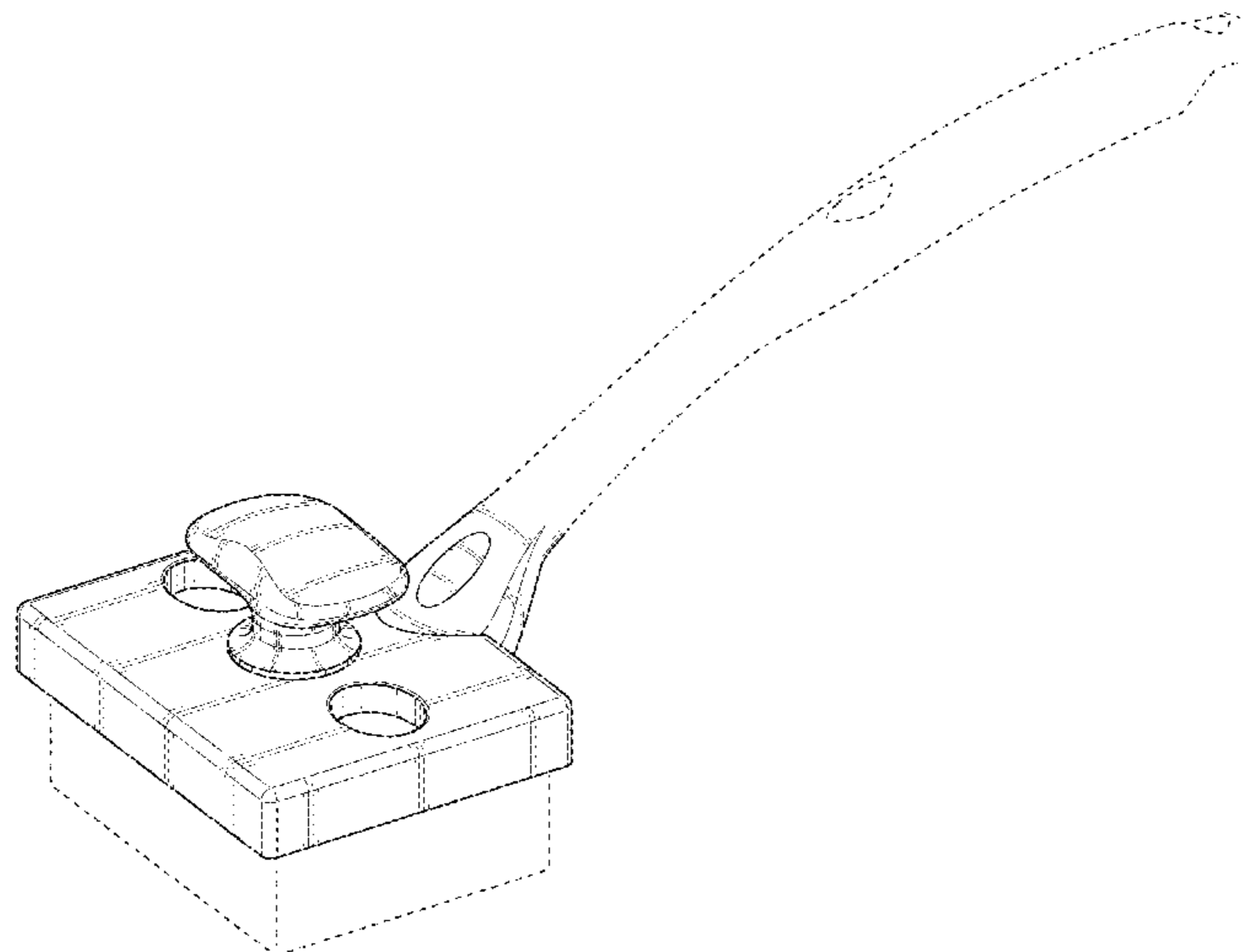
(57) **CLAIM**

The ornamental design for a dual handle stone grill cleaner, as shown and described.

DESCRIPTION

FIG. 1 is a perspective view of a dual handle stone grill cleaner in accordance with the present design; FIG. 2 is a left side elevational view thereof, the right side elevational view being a mirror image of the left side elevational view; FIG. 3 is a front side elevational view thereof; FIG. 4 is a rear elevational view thereof; FIG. 5 is a top plan view thereof; and, FIG. 6 is a bottom view thereof. The broken lines shown are included for the purpose of illustrating a portion of the dual handle stone grill cleaner that forms no part of the claimed design.

1 Claim, 5 Drawing Sheets



(56)

References Cited

U.S. PATENT DOCUMENTS

| | | | |
|-----------------|---------|--------------------|---------|
| D589,705 S | 4/2009 | Zemel | |
| D597,740 S | 8/2009 | Borovicka et al. | |
| D601,347 S | 10/2009 | Wales | |
| D606,269 S * | 12/2009 | Treeby et al. | D32/40 |
| 7,632,033 B2 | 12/2009 | Wales | |
| 7,682,097 B2 * | 3/2010 | Knopow et al. | 401/136 |
| 7,909,526 B2 | 3/2011 | Wales | |
| 8,032,974 B2 | 10/2011 | Carpenter | |
| D652,594 S * | 1/2012 | Zemel | D32/40 |
| D652,629 S | 1/2012 | Zemel | |
| D658,894 S | 5/2012 | Zemel | |
| D661,906 S | 6/2012 | Zemel | |
| D663,125 S | 7/2012 | Zemel | |
| D663,531 S | 7/2012 | Zemel | |
| D665,178 S | 8/2012 | Zemel | |
| D685,548 S * | 7/2013 | Wong | D32/40 |
| D685,549 S * | 7/2013 | Wong | D32/40 |
| D695,019 S | 12/2013 | Zemel | |
| 2003/0070246 A1 | 4/2003 | Cavalheiro | |
| 2005/0011029 A1 | 1/2005 | Yu | |
| 2009/0188061 A1 | 7/2009 | Cybulski et al. | |

* cited by examiner

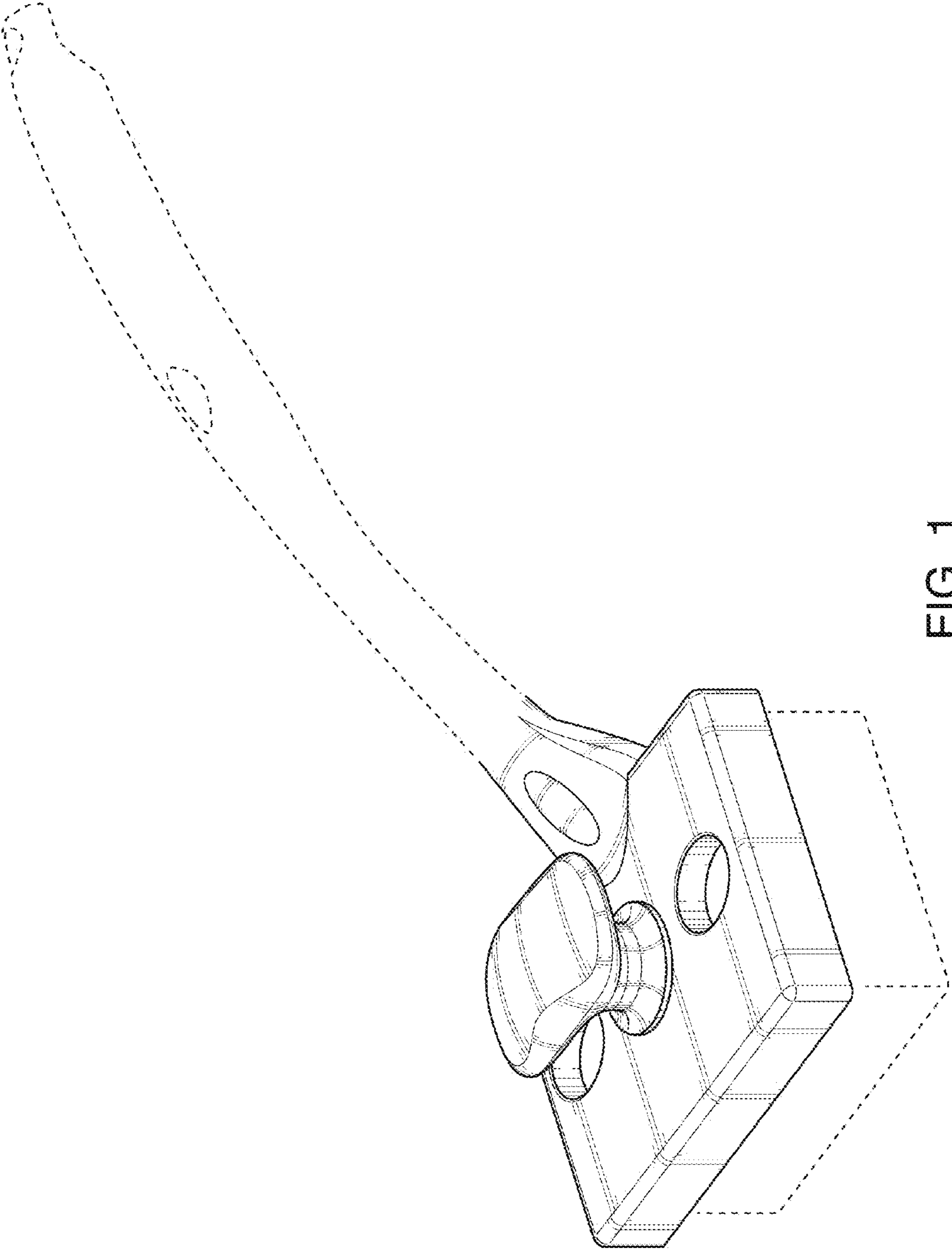


FIG. 1

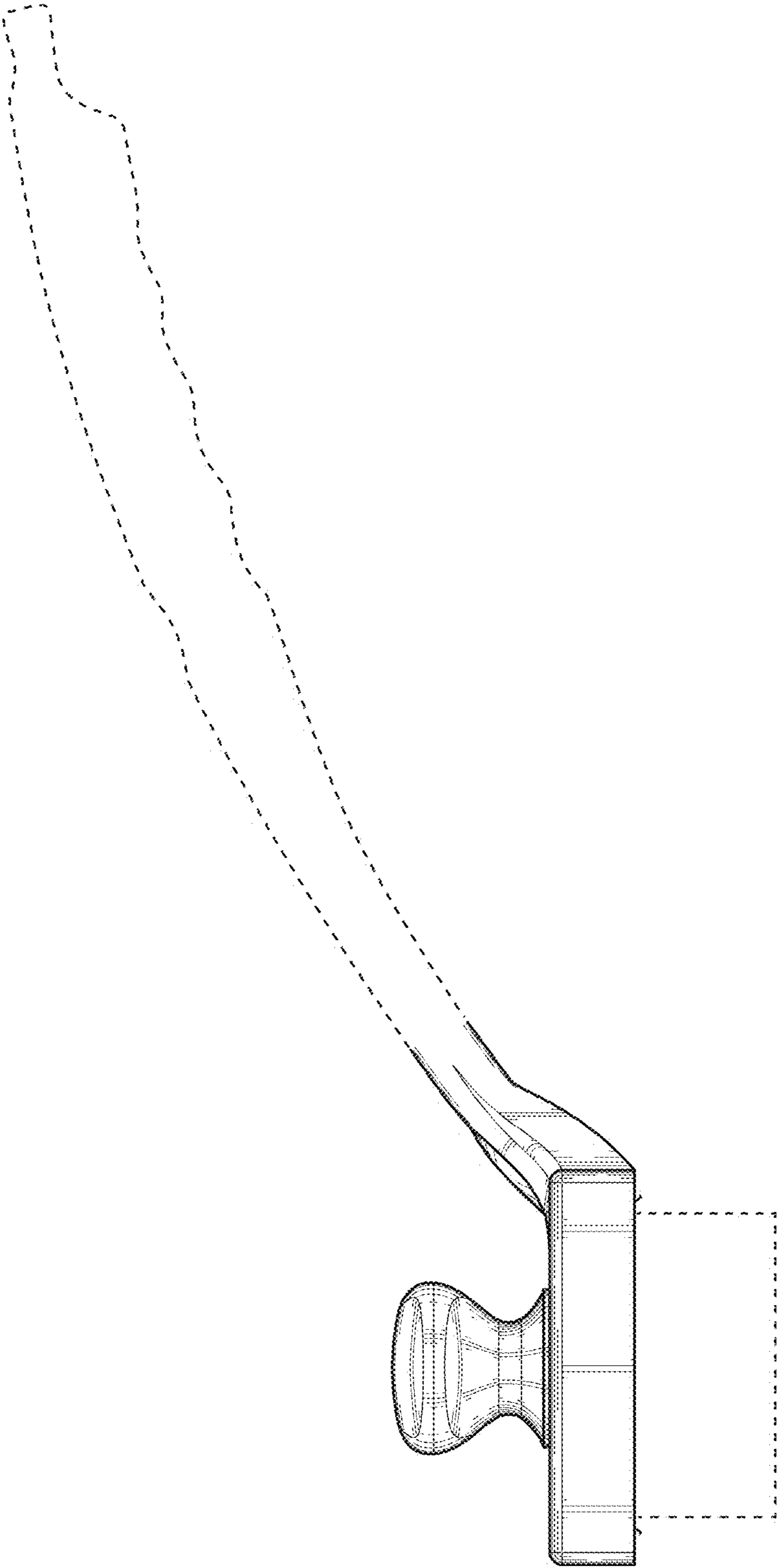


FIG. 2

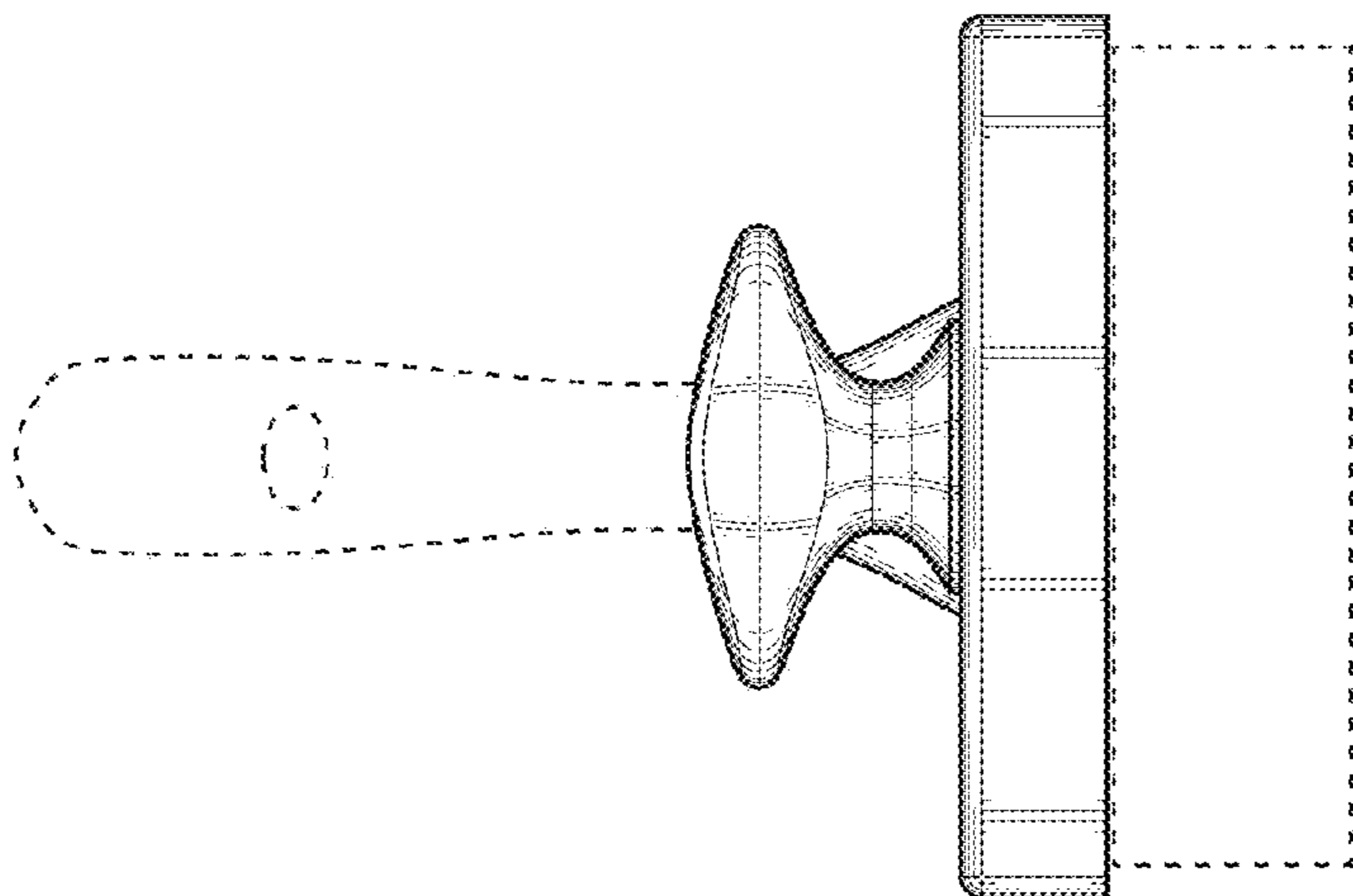


FIG. 3

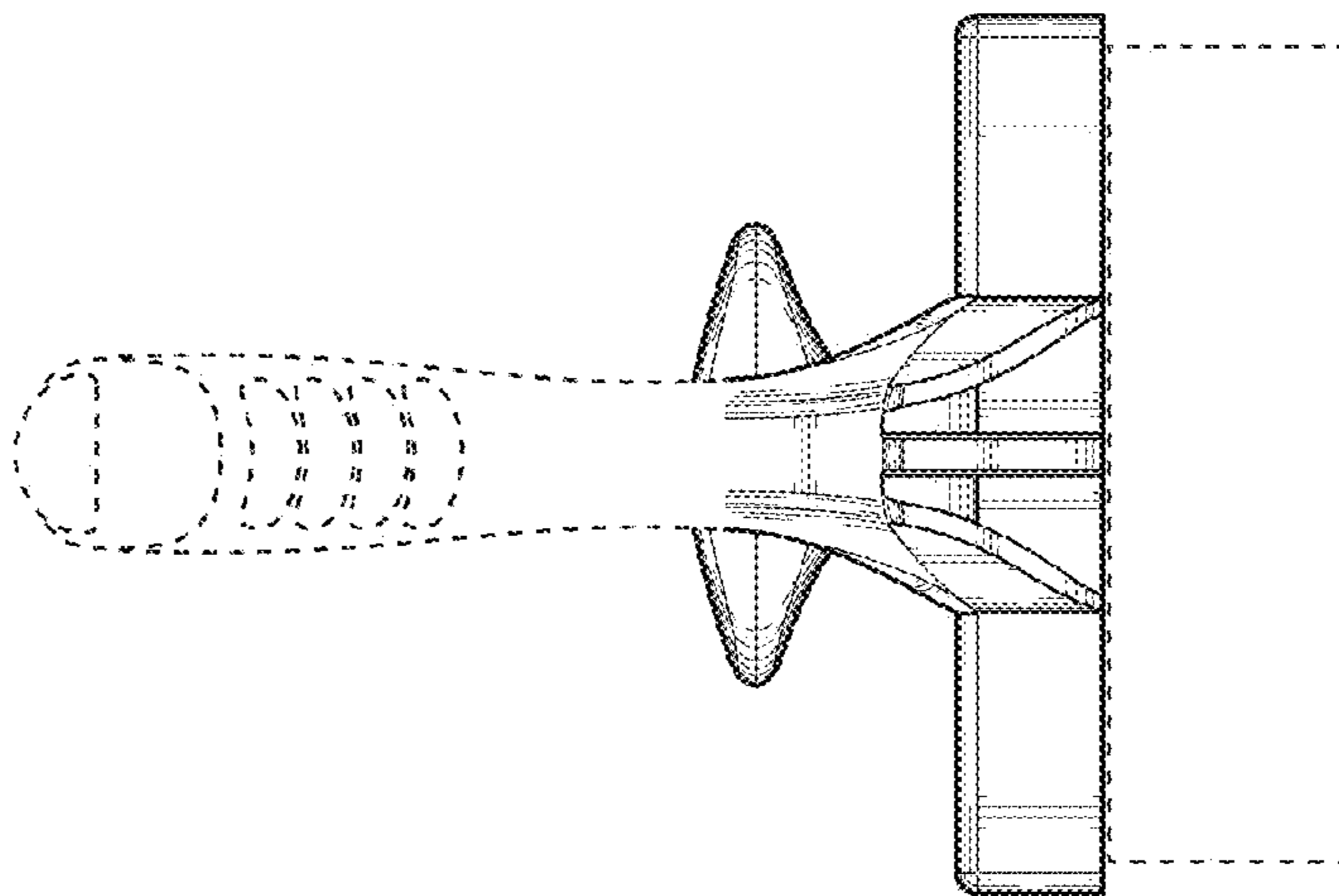


FIG. 4

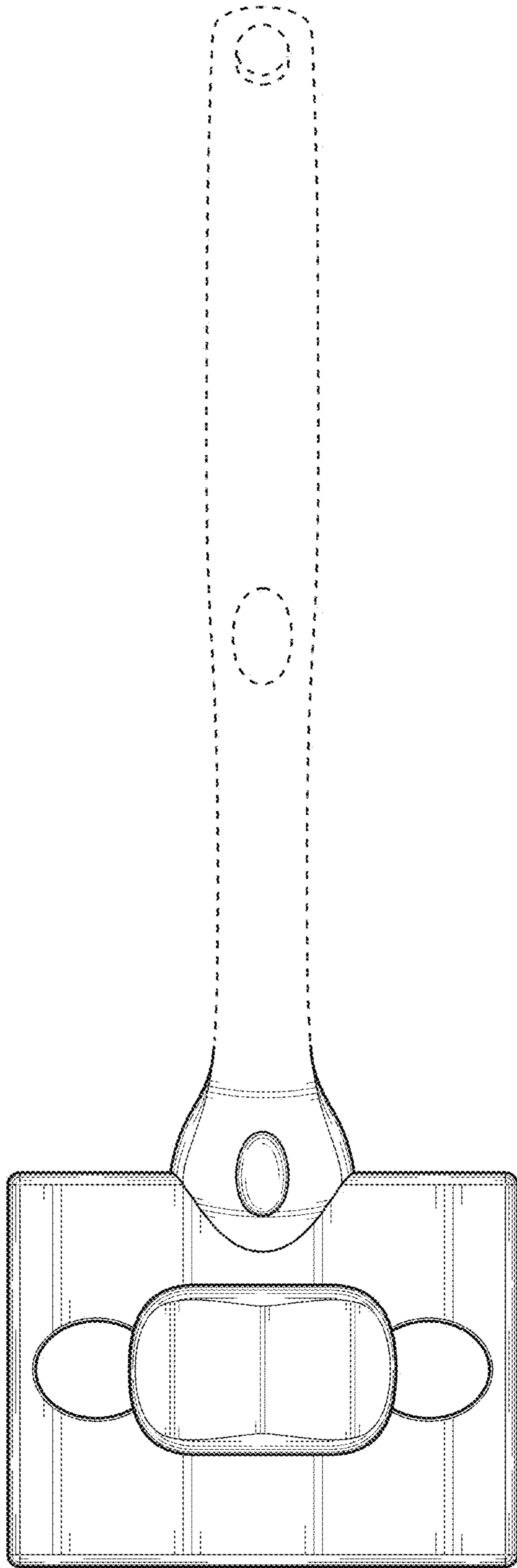


FIG. 5

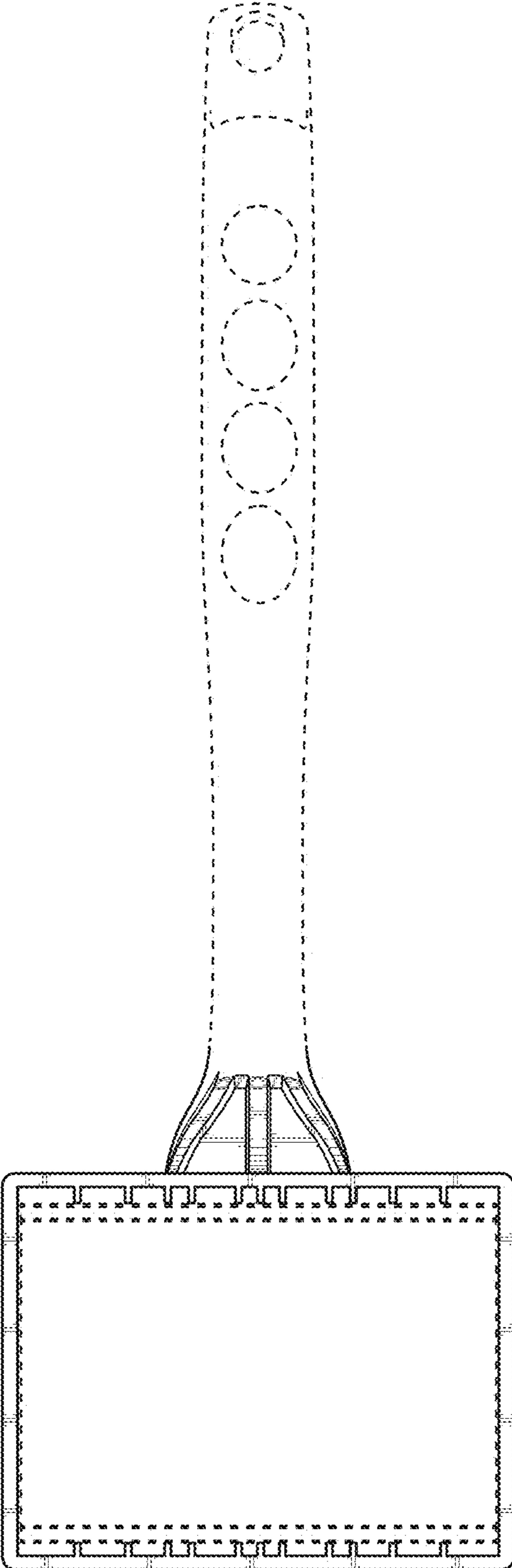


FIG. 6