



US00D720099S

(12) **United States Design Patent**  
**Jacobs**

(10) **Patent No.:** **US D720,099 S**  
(45) **Date of Patent:** **\*\* Dec. 23, 2014**

(54) **RECEPTACLE FOR BAG**  
(71) Applicant: **Christine M. Jacobs**, Hackettstown, NJ  
(US)  
(72) Inventor: **Christine M. Jacobs**, Hackettstown, NJ  
(US)  
(\*\*) Term: **14 Years**  
(21) Appl. No.: **29/435,297**

D400,349 S \* 11/1998 Young ..... D3/208  
D406,945 S \* 3/1999 Callihan ..... D3/303  
6,035,809 A 3/2000 Fingerett et al.  
D425,266 S \* 5/2000 Rubinstein ..... D30/153  
6,073,590 A 6/2000 Polding  
6,085,695 A 7/2000 Miller et al.  
D433,200 S \* 10/2000 Zollo-Dufault et al. .... D30/199  
D434,194 S \* 11/2000 Bergquist ..... D30/152  
D435,338 S \* 12/2000 DiLorenzo ..... D3/226  
6,314,917 B1 11/2001 Ryan  
6,418,881 B1 7/2002 Starratt

(Continued)

(22) Filed: **Oct. 23, 2012**  
(51) **LOC (10) CI.** ..... **30-99**  
(52) **U.S. CI.**  
USPC ..... **D30/199; D30/153**  
(58) **Field of Classification Search**  
USPC ..... D30/162, 161, 153, 199, 151, 152;  
D3/201, 203.1, 203.2, 203.6, 203.7,  
D3/203.8, 205, 207, 208, 210, 215, 226,  
D3/228, 229, 231, 243, 247, 254, 257,  
D3/245; 383/42, 51, 66; 119/858, 161,  
119/174, 795, 769; 294/1.3-1.5, 119.2,  
294/137, 155, 156, 157, 140, 149, 165, 55,  
294/99.2; 150/100, 107, 108, 110, 131,  
150/138; 224/603, 604, 605  
See application file for complete search history.

**OTHER PUBLICATIONS**

Zippity PooDa Dog Poop Bag Holder and Collection Pouch—  
Wayback Machine, online, crawled on Sep. 13, 2013, retrieved on  
May 19, 2014. Retrieved from, <URL: <http://www.wayfair.com/Zip-pity-Poo-Da-Dog-Poop-Bag-Holder-and-Collection-Pouch-with-FREE-50-COUNT-ROLL-OF-CLEAN-SACKS-ZPD-2-ZPD1000.html>>, 1 page.\*

(Continued)

*Primary Examiner* — Ian Simmons  
*Assistant Examiner* — Shannon Morgan

(57) **CLAIM**  
The ornamental design for a receptacle for bag, as shown and described.

(56) **References Cited**

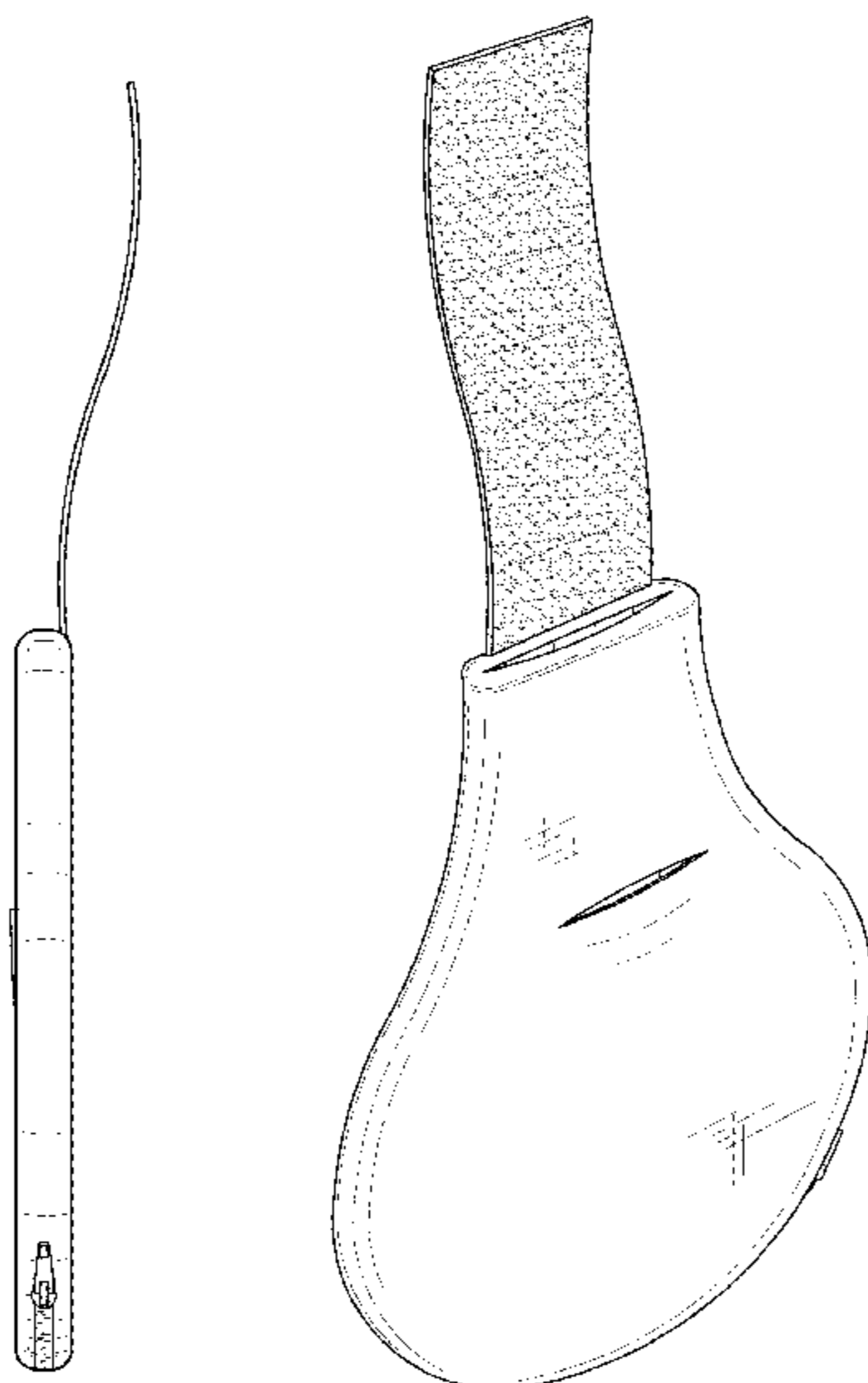
**U.S. PATENT DOCUMENTS**

3,011,173 A \* 12/1961 Goetz ..... 2/209.11  
4,555,025 A \* 11/1985 Weinberg et al. .... 206/497  
D289,806 S \* 5/1987 Hadaway ..... D30/151  
D291,014 S \* 7/1987 Grum ..... D22/119  
5,560,321 A 10/1996 Hess  
D386,609 S \* 11/1997 Green ..... D3/203.1  
5,727,500 A 3/1998 Conboy  
D393,504 S 4/1998 Eisman  
5,740,764 A \* 4/1998 Jacobsen ..... 119/798  
D394,545 S \* 5/1998 MacDonald ..... D3/207  
D399,054 S \* 10/1998 Garrison ..... D3/226

**DESCRIPTION**

FIG. 1 is a front elevational view showing my new design of a receptacle for bag;  
FIG. 2 is a rear elevational view thereof;  
FIG. 3 is a left side elevational view thereof;  
FIG. 4 is a right side elevational view thereof;  
FIG. 5 is a top plan view thereof;  
FIG. 6 is a bottom plan view thereof; and,  
FIG. 7 is a front, left side perspective view thereof.

**1 Claim, 5 Drawing Sheets**



(56)

**References Cited**

2011/0155076 A1\* 6/2011 Charette ..... 119/795

U.S. PATENT DOCUMENTS

OTHER PUBLICATIONS

D488,591 S \* 4/2004 Hall et al. .... D30/153  
D511,412 S \* 11/2005 Madrid et al. .... D4/199  
D657,229 S \* 4/2012 Chang ..... D8/347  
D702,894 S \* 4/2014 Bayless ..... D30/153  
2003/0150536 A1\* 8/2003 Morehead ..... 150/134  
2006/0054107 A1 3/2006 Baker  
2009/0095225 A1 4/2009 O'Connell

Olive-Neoprene Leash Puch—Wayback Machine, online, crawled on Nov. 28, 2012, retrieved on May 19, 2014. Retrieved from, <URL: [http://web.archive.org/web/20121128020354/http://olivegreendog.com/black-neoprene-leash-pouch- . . .](http://web.archive.org/web/20121128020354/http://olivegreendog.com/black-neoprene-leash-pouch-...)>, 1 page.\*

\* cited by examiner

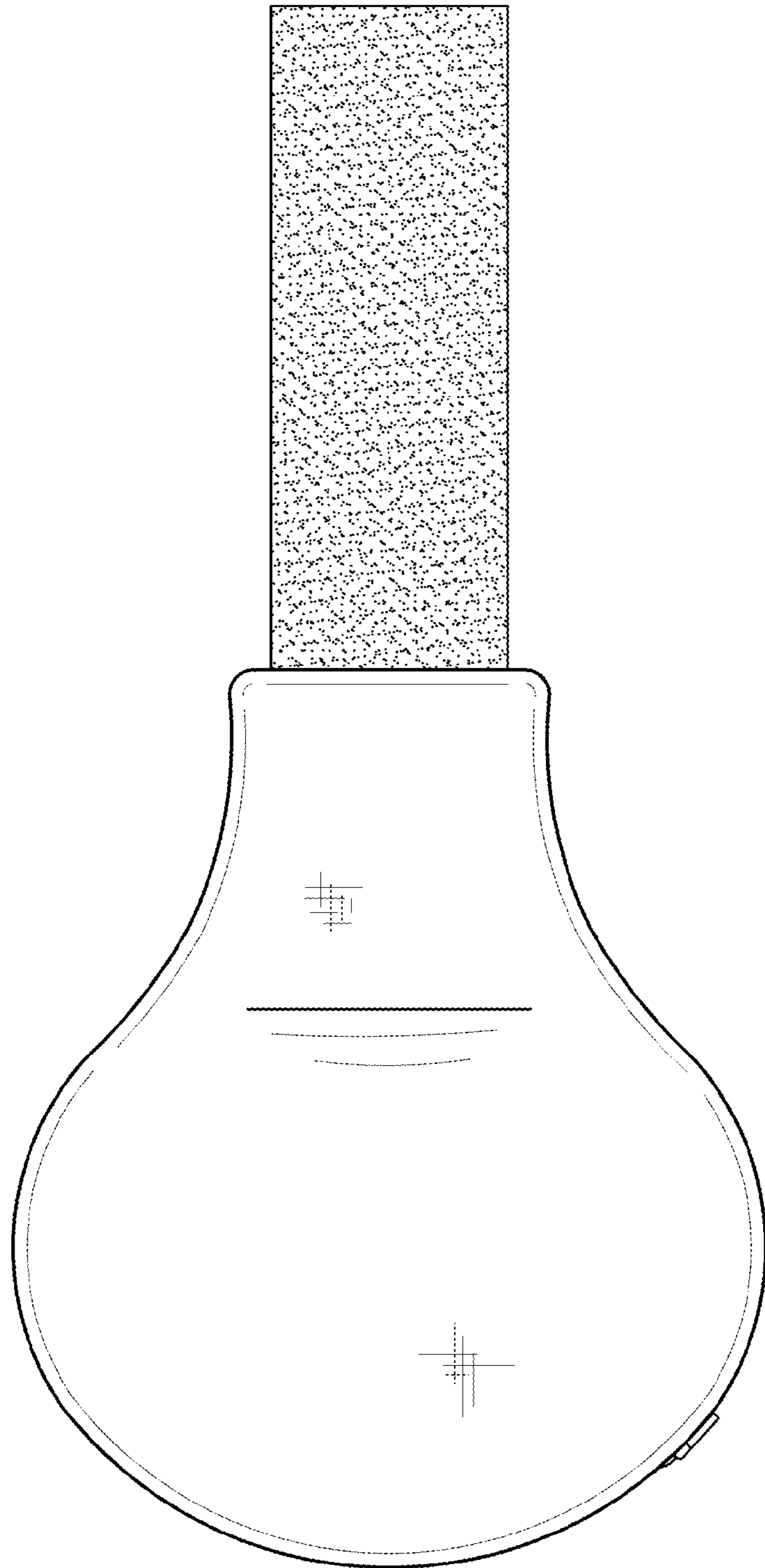


FIG. 1

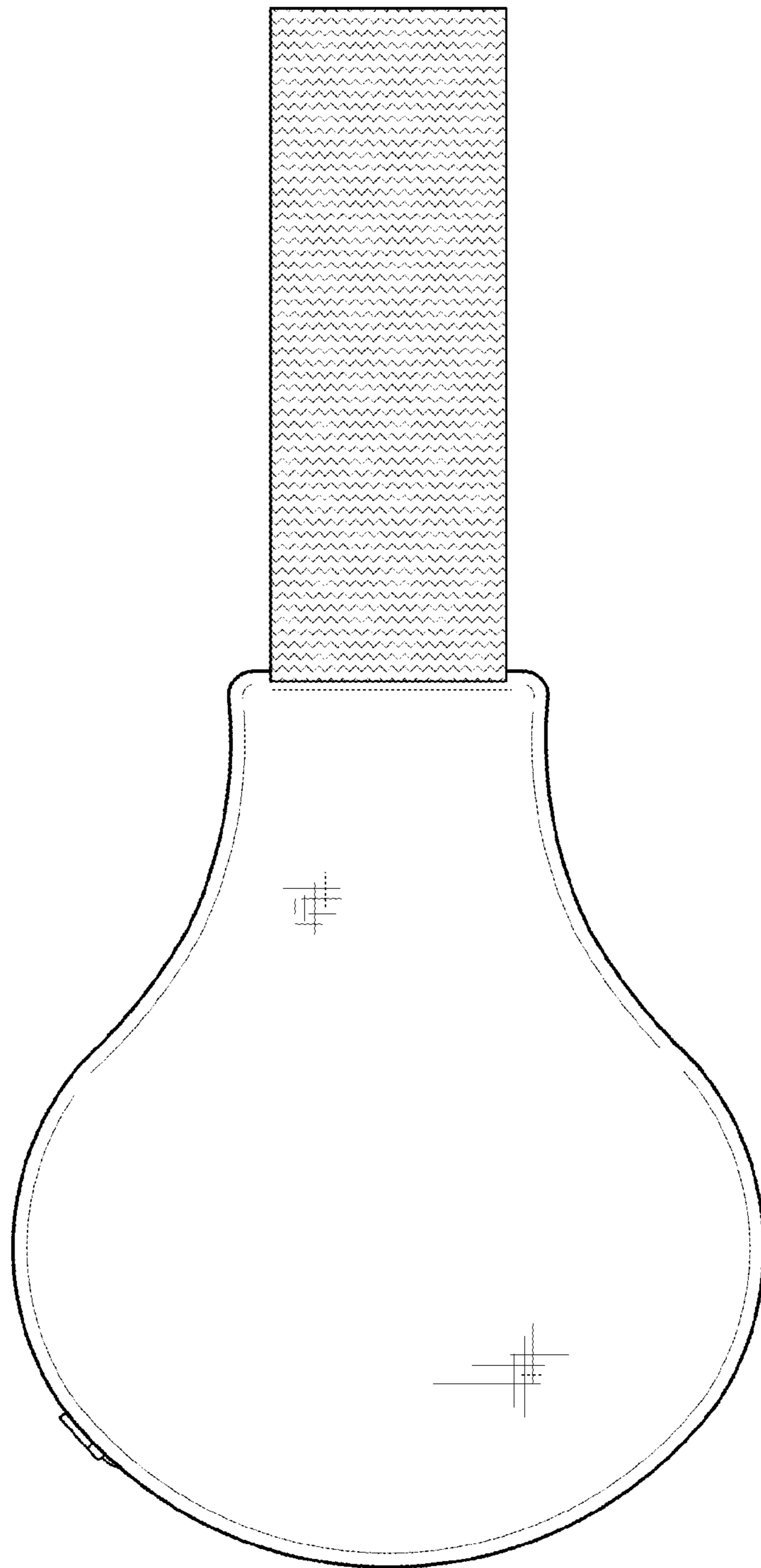


FIG. 2

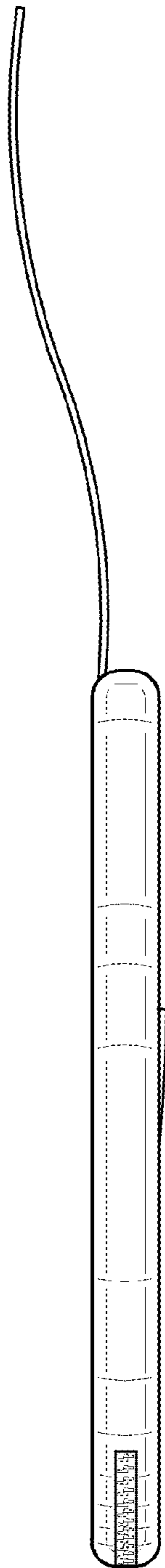


FIG. 3

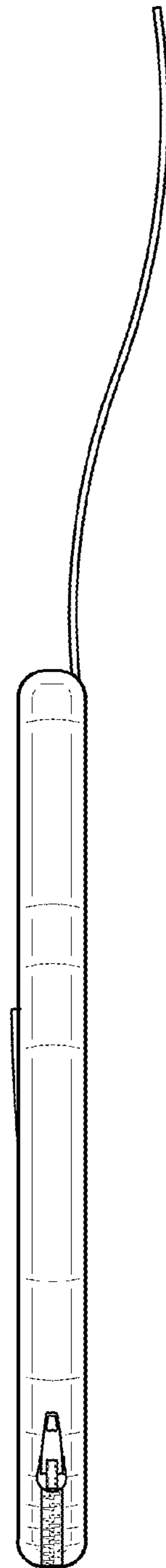


FIG. 4



FIG. 5

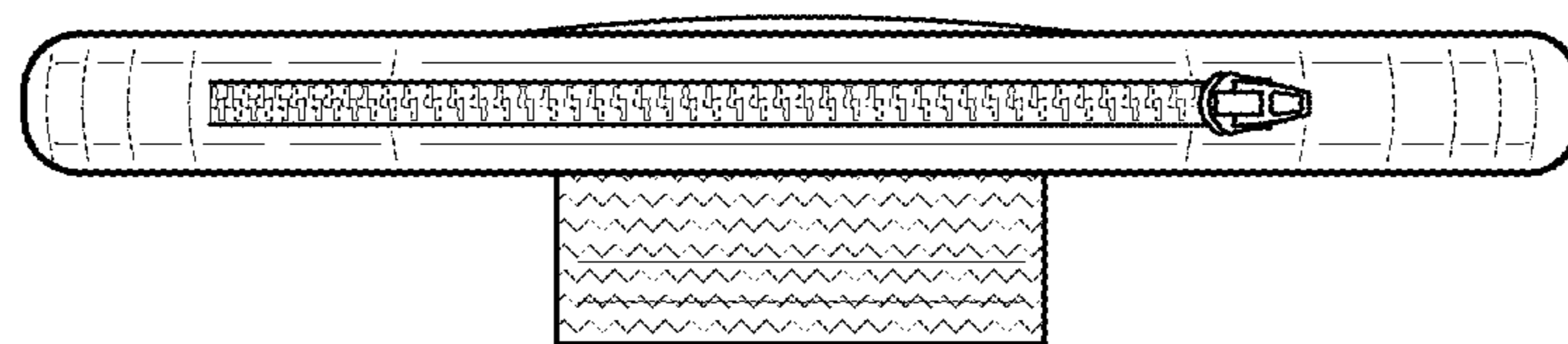


FIG. 6



FIG. 7