



US00D720098S

(12) **United States Design Patent**  
**Septien Prieto**

(10) **Patent No.:** **US D720,098 S**

(45) **Date of Patent:** **\*\* Dec. 23, 2014**

(54) **POULTRY FEEDER**

D182,624 S \* 4/1958 Rysdon et al. .... D30/131  
3,712,270 A \* 1/1973 Fier, Jr. .... 119/61.3  
D230,612 S \* 3/1974 Williamson et al. .... D30/131

(71) Applicant: **Francisco Javier Septien Prieto,**  
Ciudad Industrial (MX)

(Continued)

(72) Inventor: **Francisco Javier Septien Prieto,**  
Ciudad Industrial (MX)

*Primary Examiner* — Susan Moon Lee

(74) *Attorney, Agent, or Firm* — Heidi L. Eisenhut, Esq.;  
Loza & Loza LLP

(73) Assignee: **Sepgnos, S.A. de C.V. (MX)**

(57) **CLAIM**

I claim the ornamental design for a poultry feeder, as shown  
and described.

(\*\*) Term: **14 Years**

**DESCRIPTION**

(21) Appl. No.: **29/434,929**

(22) Filed: **Oct. 18, 2012**

(51) **LOC (10) Cl.** ..... **30-03**

(52) **U.S. Cl.**

USPC ..... **D30/121**; D30/131; D30/133; D30/124

(58) **Field of Classification Search**

USPC ..... D30/130–132, 199, 121–124; 119/72,  
119/72.5, 75, 78, 53, 74, 76, 79, 80, 81,  
119/51.01, 51.04, 52.1, 54, 57.4, 58, 61.1,  
119/61.5, 52.4; 137/592, 408, 614.2;  
239/28; 4/377; D7/553.4, 553.8, 552.2,  
D7/549, 555, 557, 554.2, 359, 586, 551.1,  
D7/553.7, 553.6, 546, 547, 672, 570, 544,  
D7/564, 587, 584; D9/428, 432; D27/134;  
220/630, 575, 574, 506; D11/149, 152;  
99/442, 428, DIG. 15; 131/232;  
249/169

See application file for complete search history.

FIG. 1 is a top perspective view of a poultry feeder of the  
present invention;

FIG. 2 is an enlarged right side elevation view of the poultry  
feeder of FIG. 1, the opposite side being a mirror image  
thereof;

FIG. 3 is an enlarged longitudinal cross-sectional view of the  
poultry feeder taken along line 3-3 of FIG. 2;

FIG. 4 is a top plan view of the poultry feeder of FIG. 1;

FIG. 5 is a top plan view of the poultry feeder of FIG. 1, shown  
with the top grid cover removed for clarity of illustration;

FIG. 6 is a top plan view of the poultry feeder of FIG. 1, shown  
with the top grid cover removed for clarity of illustration;

FIG. 7 is a bottom plan view of the poultry feeder of FIG. 1.

FIG. 8 is an enlarged longitudinal cross-sectional view of the  
poultry feeder taken along line 8-8 of FIG. 6;

FIG. 9 is an enlarged view of detail A-A of the poultry feeder  
of FIG. 8.

FIG. 10 is a front elevational view of the poultry feeder of  
FIG. 1, the other side being a mirror image thereof.

FIG. 11 is an enlarged top perspective view of detail B-B of  
the poultry feeder; and,

FIG. 12 is an enlarged bottom perspective view of detail B-B  
of the poultry feeder.

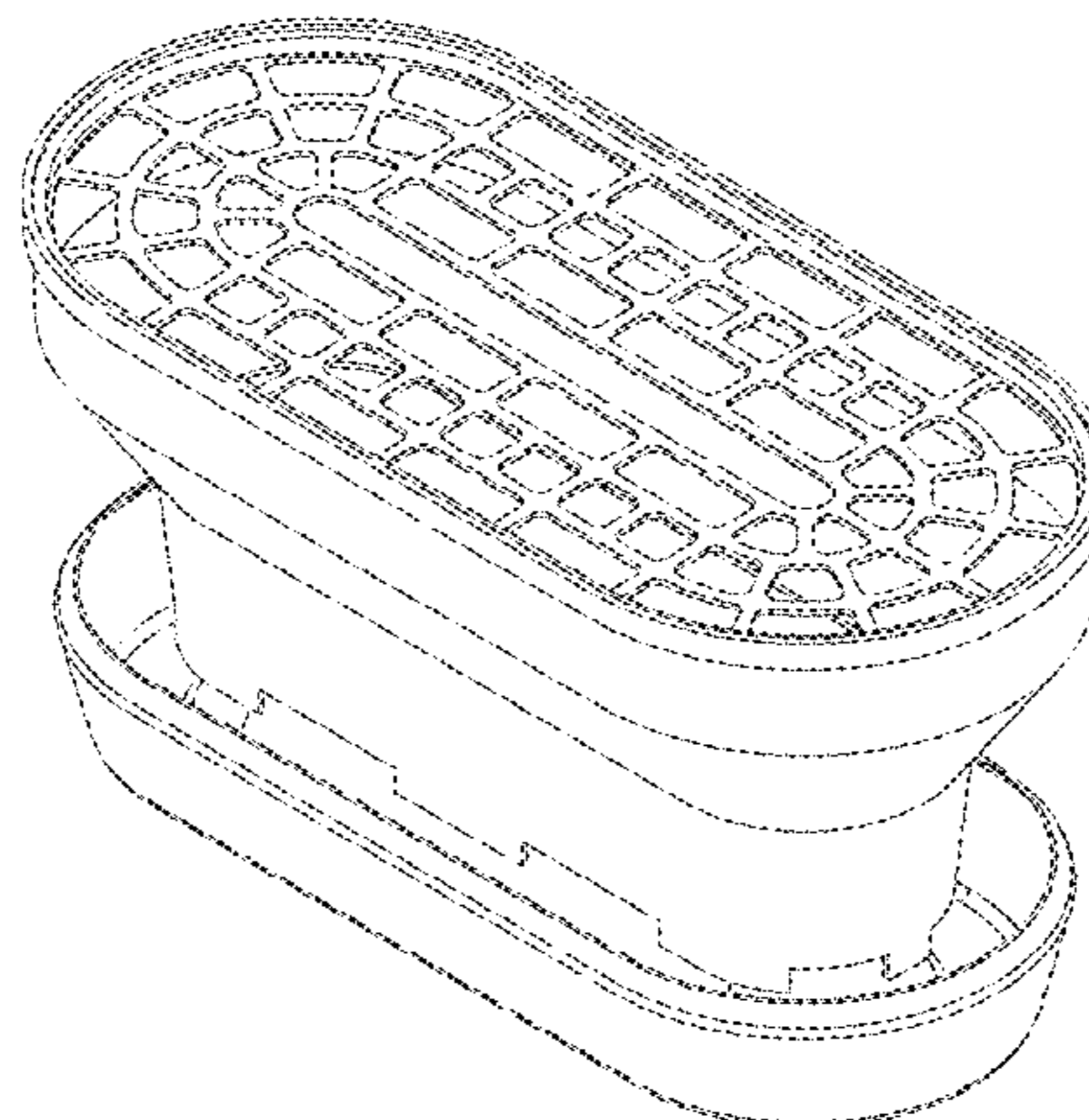
The broken lines and dot-dash lines employed in FIGS. 2, 5,  
6, 8 and 9 are solely for indicating where cross-section or  
enlarged detail views are taken from.

(56) **References Cited**

**U.S. PATENT DOCUMENTS**

1,282,784 A \* 10/1918 Enholm ..... 52/302.3  
D128,124 S \* 7/1941 Melville ..... D7/708  
D154,226 S \* 6/1949 Ackermann ..... D32/53  
D170,199 S \* 8/1953 Hyman ..... D3/242  
2,796,042 A \* 6/1957 Oliver ..... 119/69.5

**1 Claim, 12 Drawing Sheets**



(56)

References Cited

U.S. PATENT DOCUMENTS

D245,714 S *	9/1977	Becker	.....	D30/131	D469,320 S *	1/2003	Pettaweebuncha	.....	D7/629
D257,107 S *	9/1980	Daenen et al.	.....	D7/586	D481,594 S *	11/2003	Roehrig	.....	D7/555
D280,058 S *	8/1985	Carlson	.....	D7/629	6,889,866 B2 *	5/2005	Gilliam et al.	.....	220/675
D293,948 S *	1/1988	DePew	.....	D30/131	D549,416 S *	8/2007	Sampaio	.....	D32/53
D294,749 S *	3/1988	Fuller	.....	D30/132	D620,661 S *	7/2010	Tsai	.....	D32/53
D304,680 S *	11/1989	Carlson	.....	D7/708	D632,446 S *	2/2011	Tseng	.....	D32/53
D322,912 S *	1/1992	Schmengler	.....	D7/359	D633,675 S *	3/2011	Libman et al.	.....	D32/53
D346,720 S *	5/1994	Onneweer	.....	D7/629	D634,240 S *	3/2011	Junkeer	.....	D11/155
D348,805 S *	7/1994	Cautereels	.....	D7/602	D636,054 S *	4/2011	Loew et al.	.....	D23/200
5,367,718 A *	11/1994	Ellis	.....	4/449	D644,885 S *	9/2011	Samartgis	.....	D7/602
D354,377 S *	1/1995	Wenstrand	.....	D30/131	D647,268 S *	10/2011	Chen	.....	D32/53
5,564,363 A *	10/1996	Soffici	.....	119/61.53	D649,085 S *	11/2011	Tremblay et al.	.....	D11/155
D380,877 S *	7/1997	McNaughton	.....	D30/124	8,056,179 B2 *	11/2011	Hsu	.....	15/260
D383,671 S *	9/1997	Phillips	.....	D9/429	D655,577 S *	3/2012	Samartgis	.....	D7/602
D426,682 S *	6/2000	Kreger et al.	.....	D30/121	D688,044 S *	8/2013	Brunner	.....	D3/304
D450,926 S *	11/2001	Dickinson et al.	.....	D3/304	D691,341 S *	10/2013	Barre et al.	.....	D32/37
D464,199 S *	10/2002	Lacy et al.	.....	D3/306	D697,762 S *	1/2014	Carlson	.....	D7/602
					D697,763 S *	1/2014	Carlson	.....	D7/602
					D701,354 S *	3/2014	Septien Prieto	.....	D30/121
					D710,059 S *	7/2014	Risser et al.	.....	D30/121

\* cited by examiner

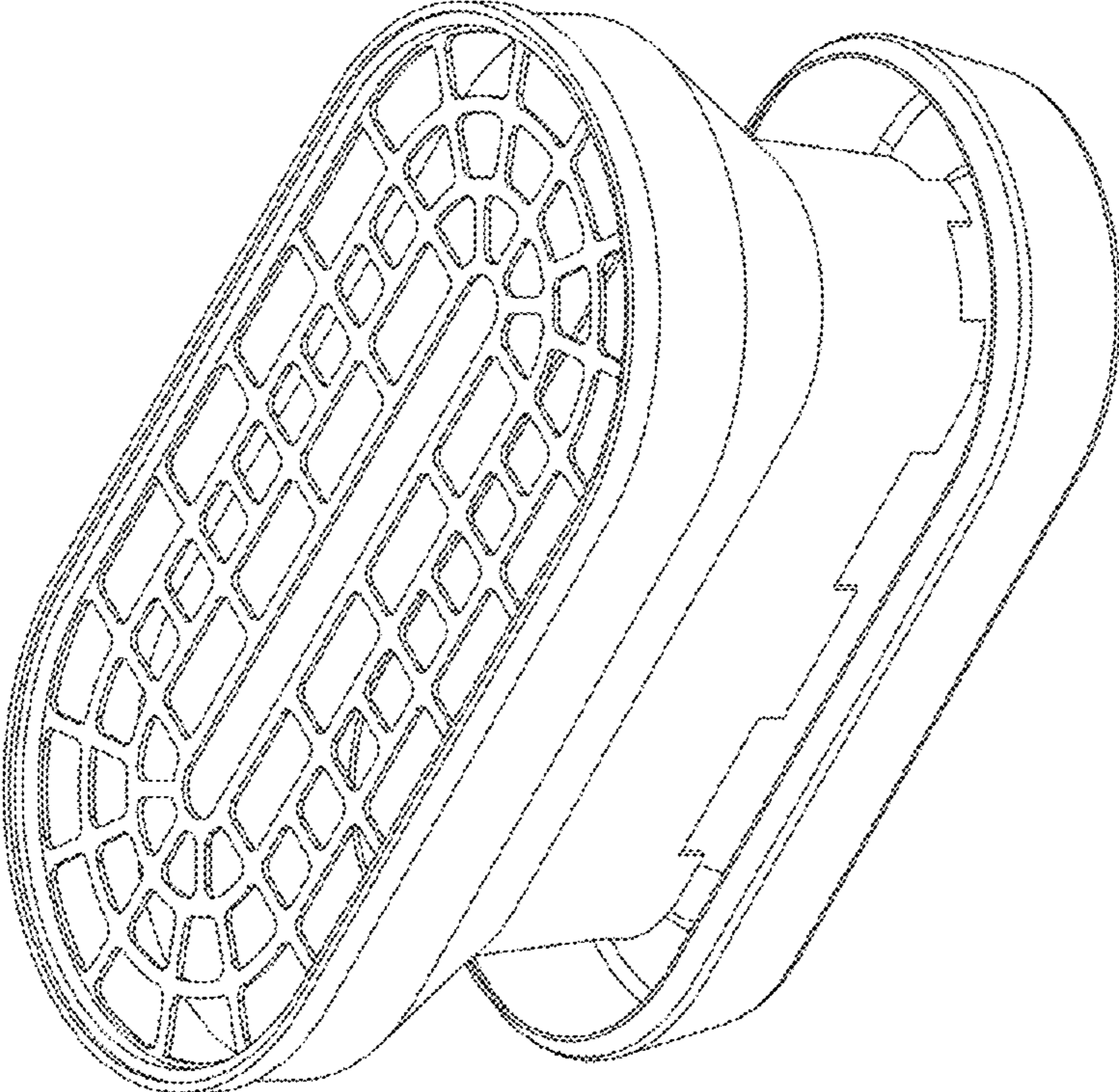


FIG. 1

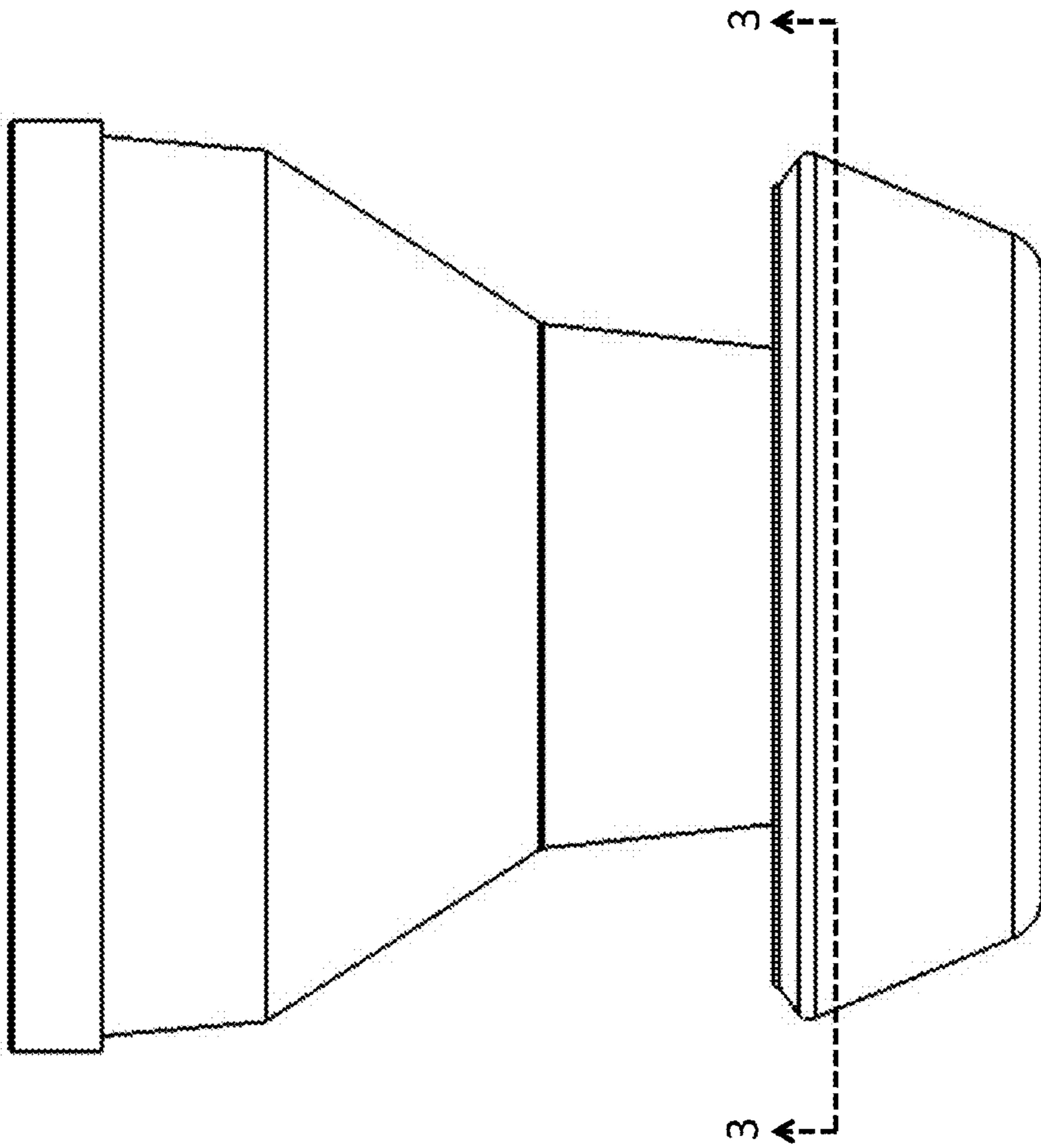


FIG. 2

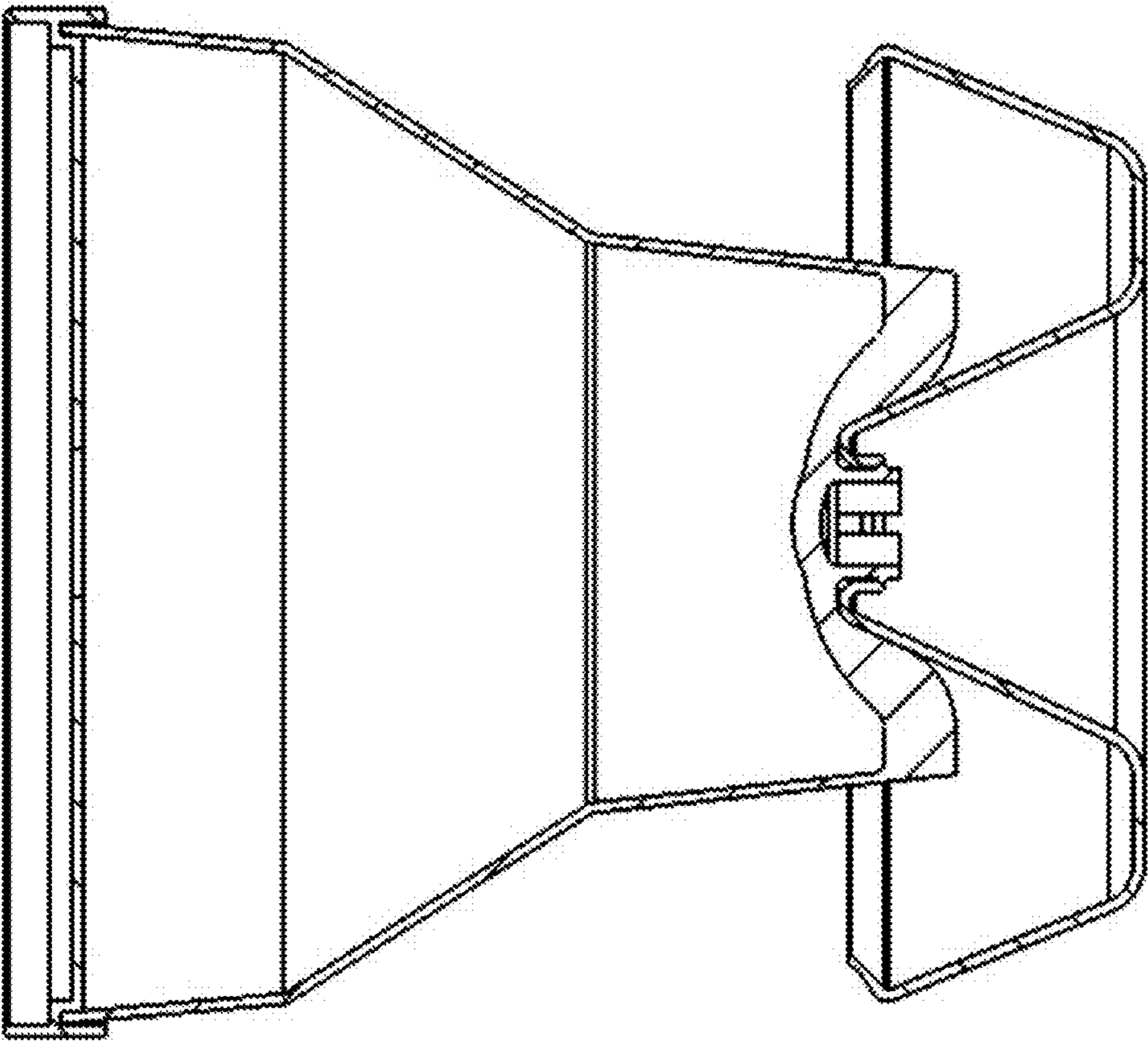


FIG. 3

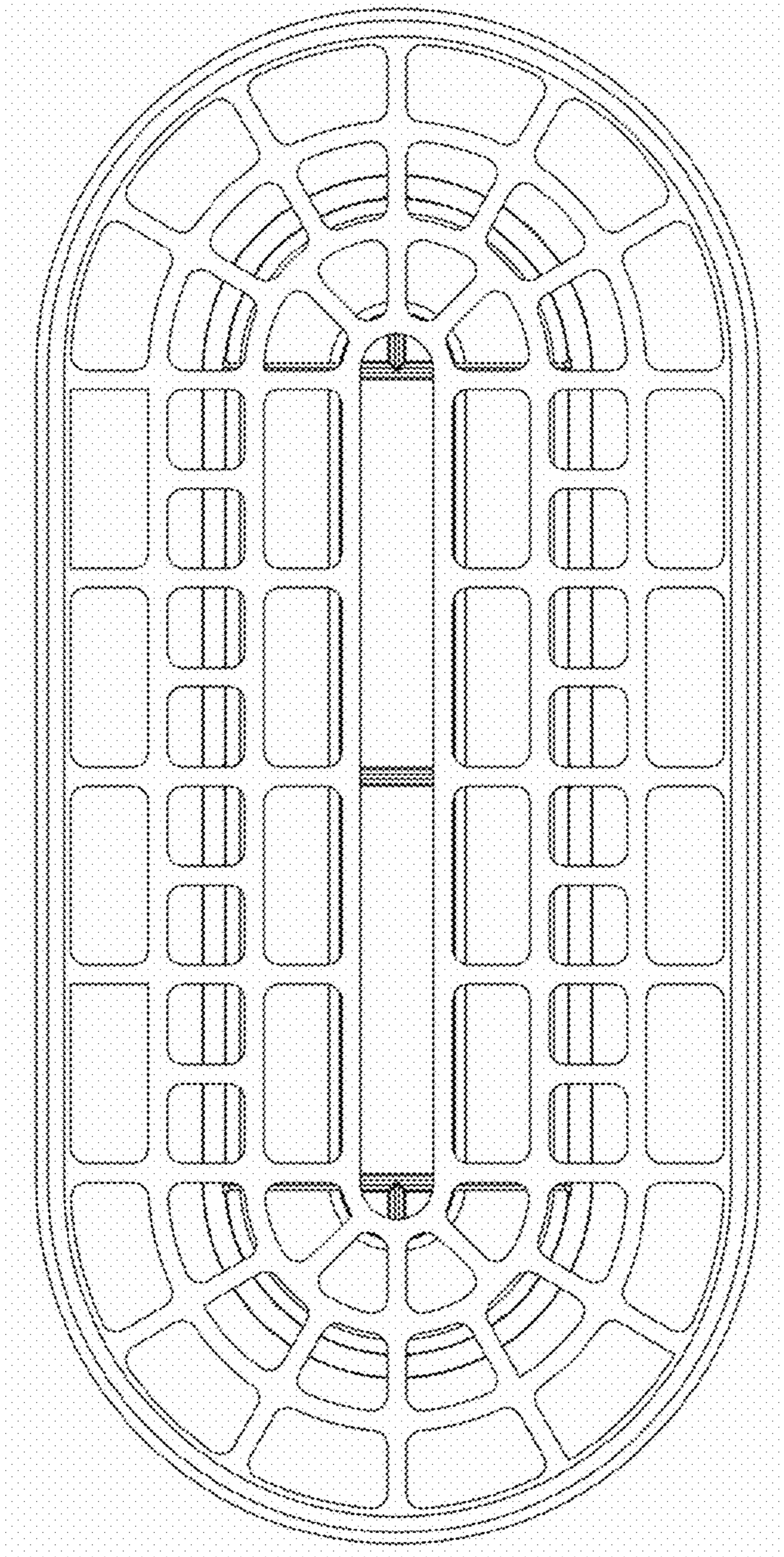


FIG. 4

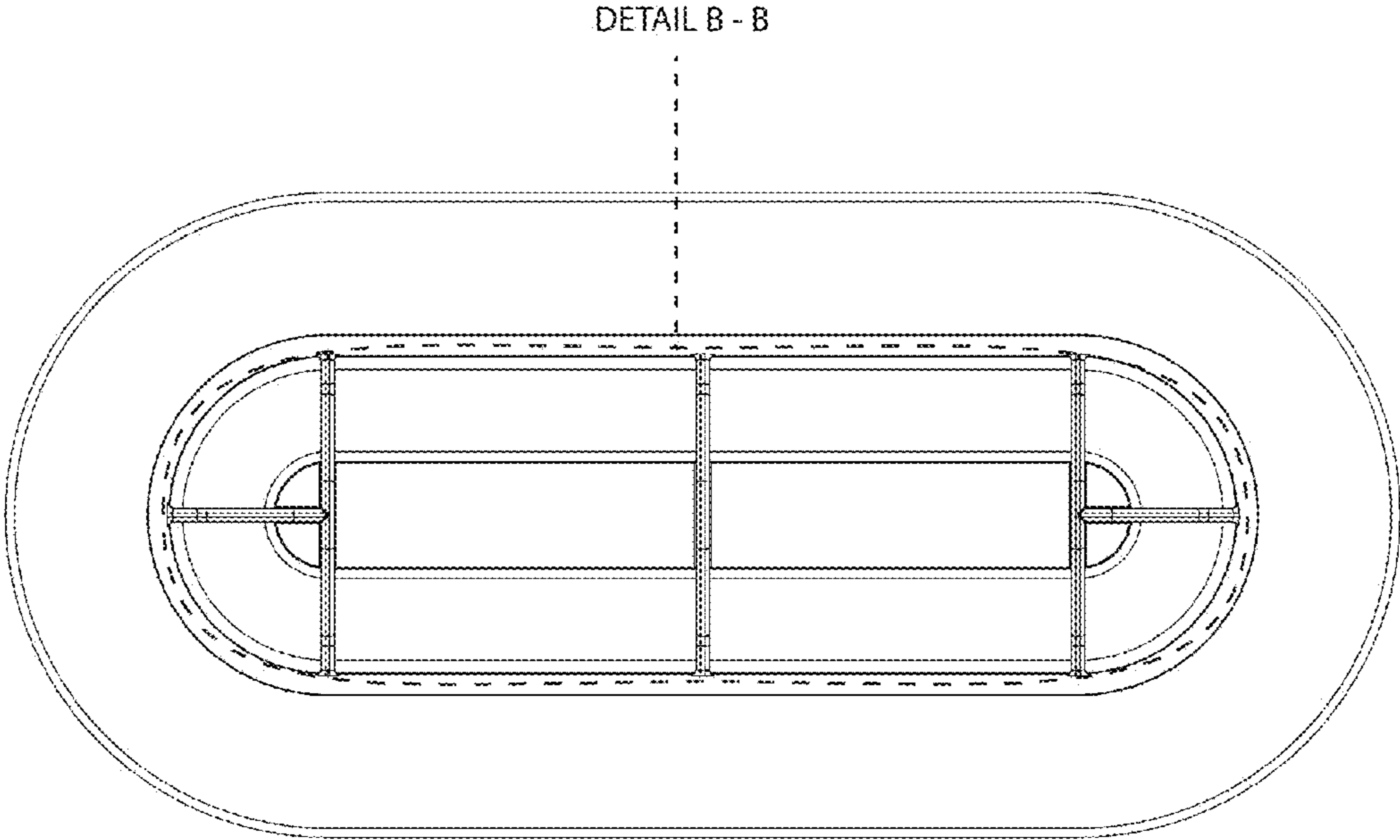


FIG. 5

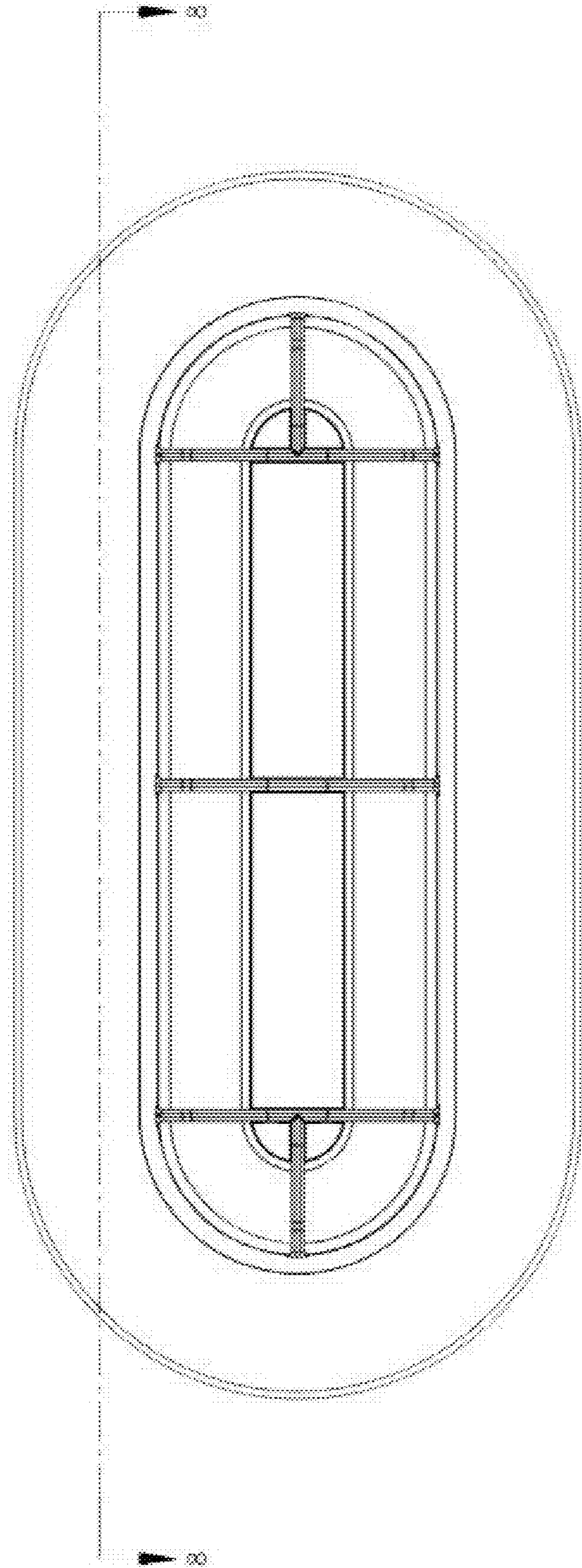


FIG. 6



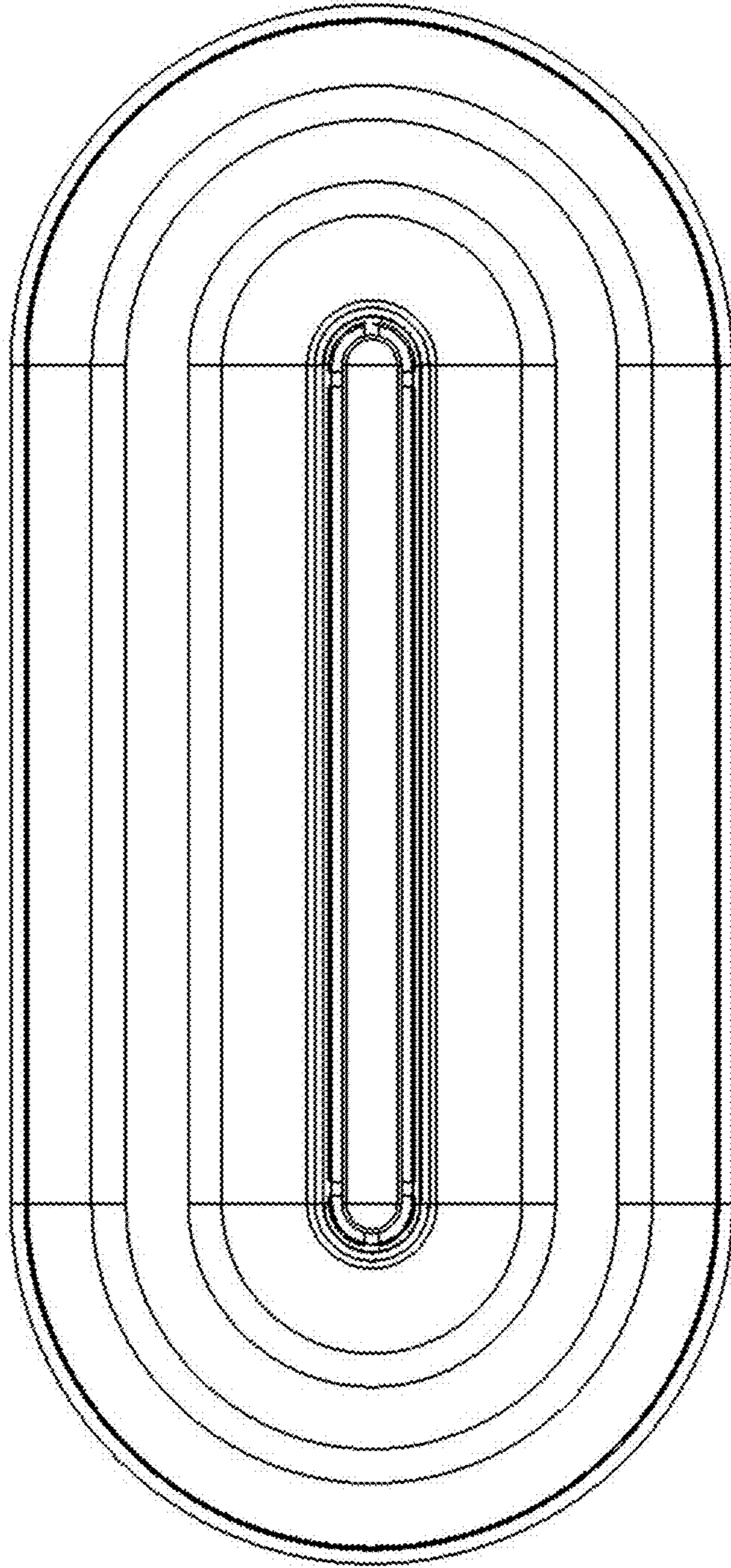


FIG. 7

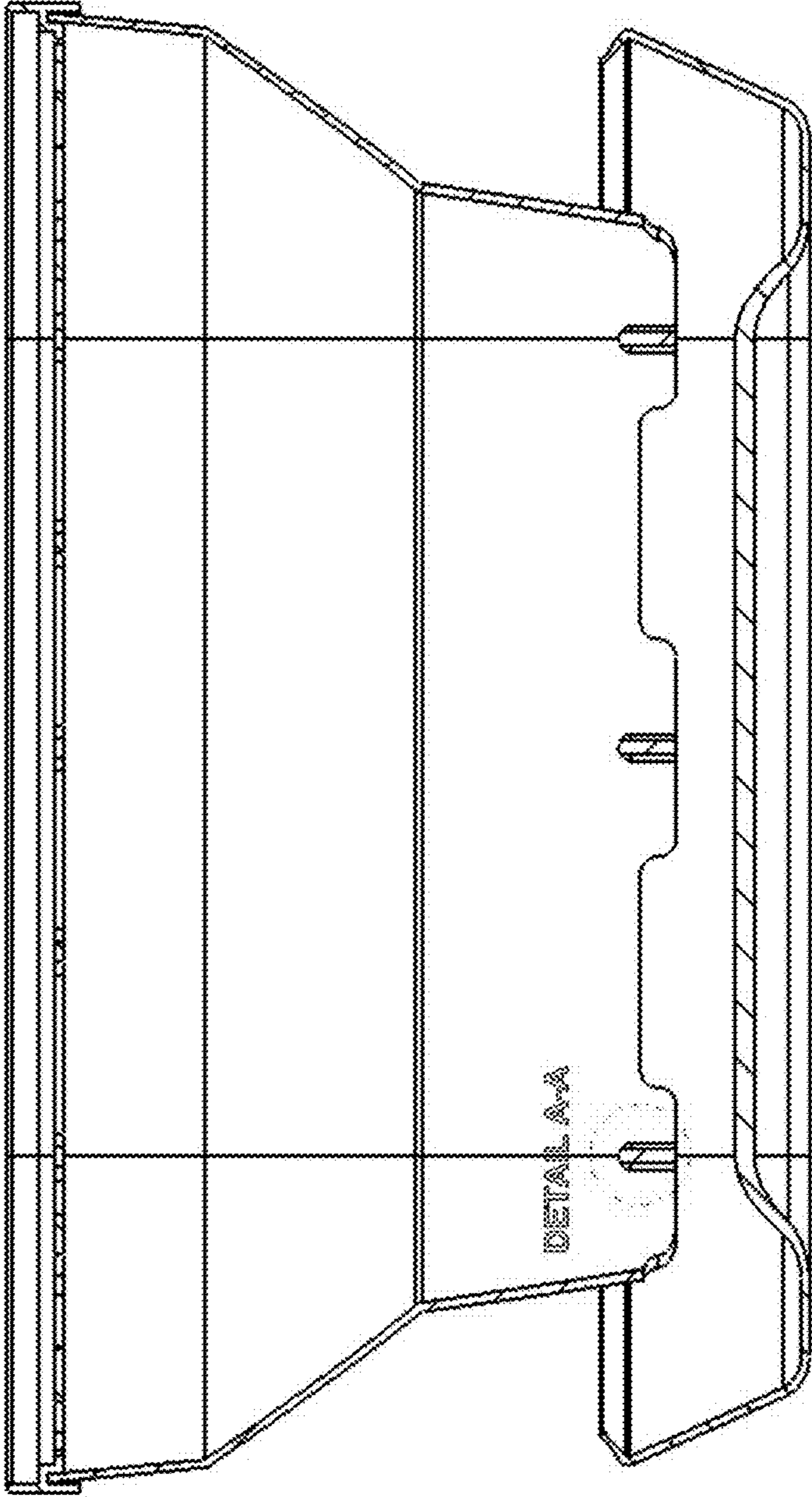


FIG. 8

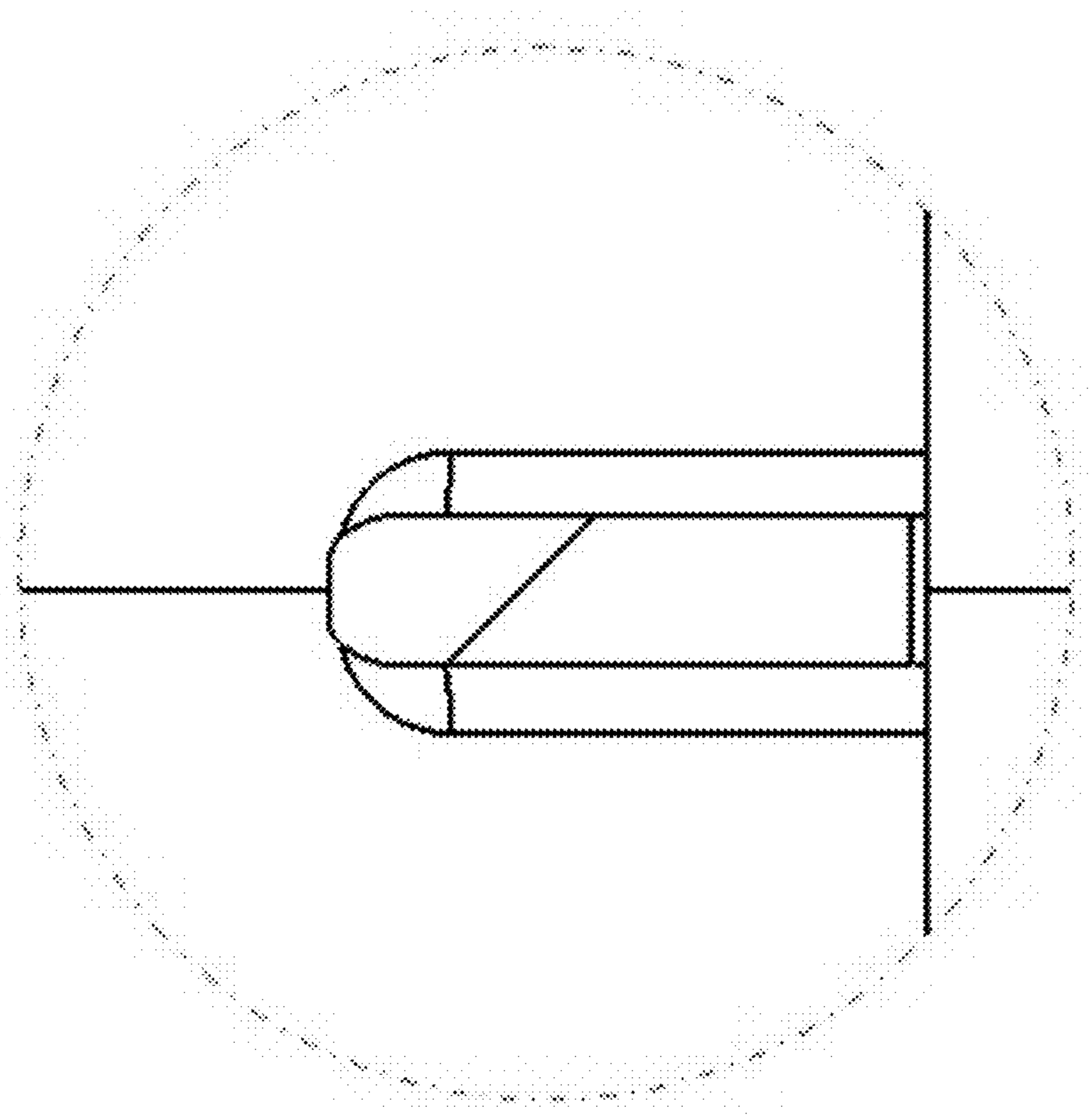


FIG. 9

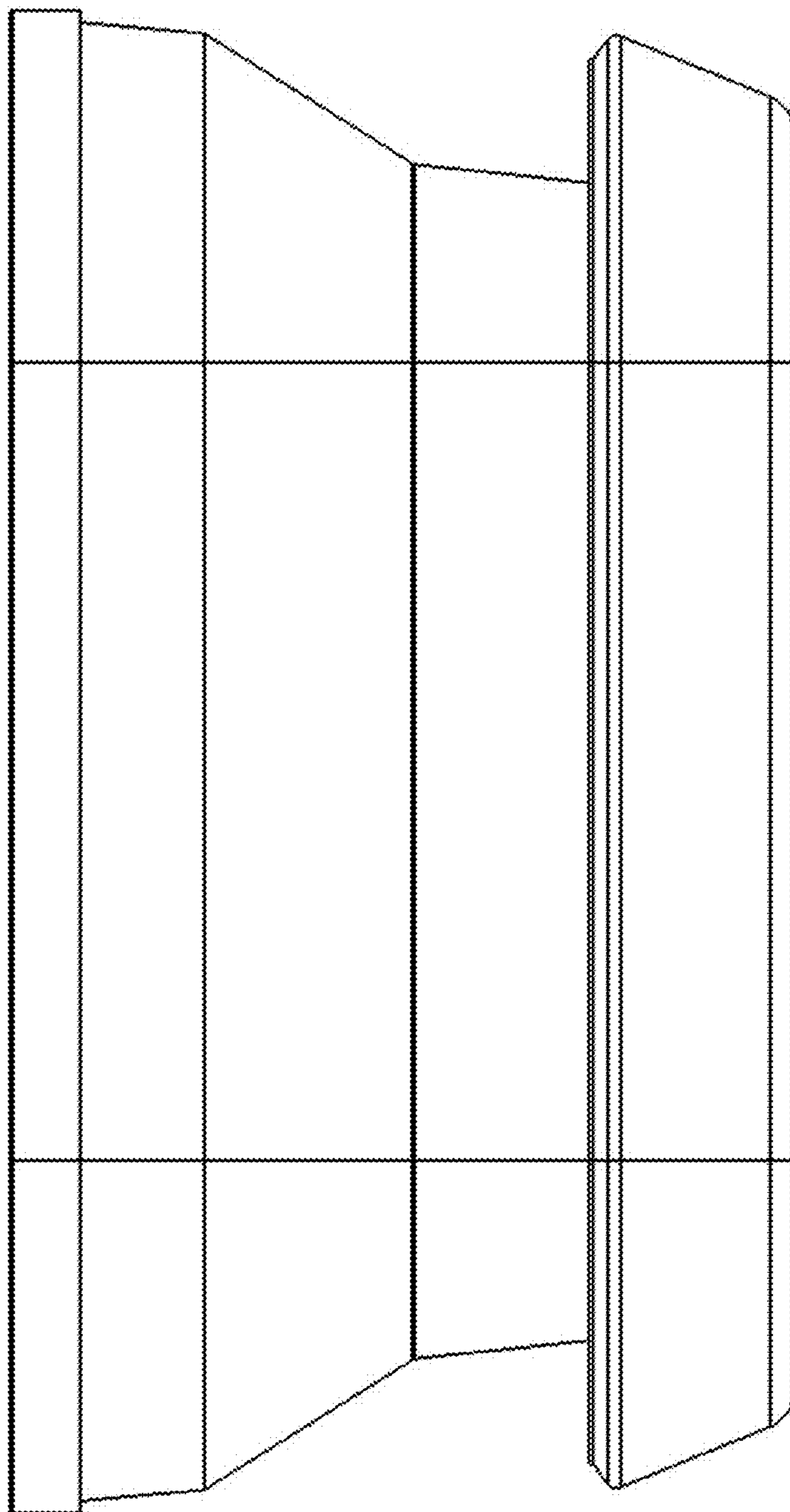


FIG. 10

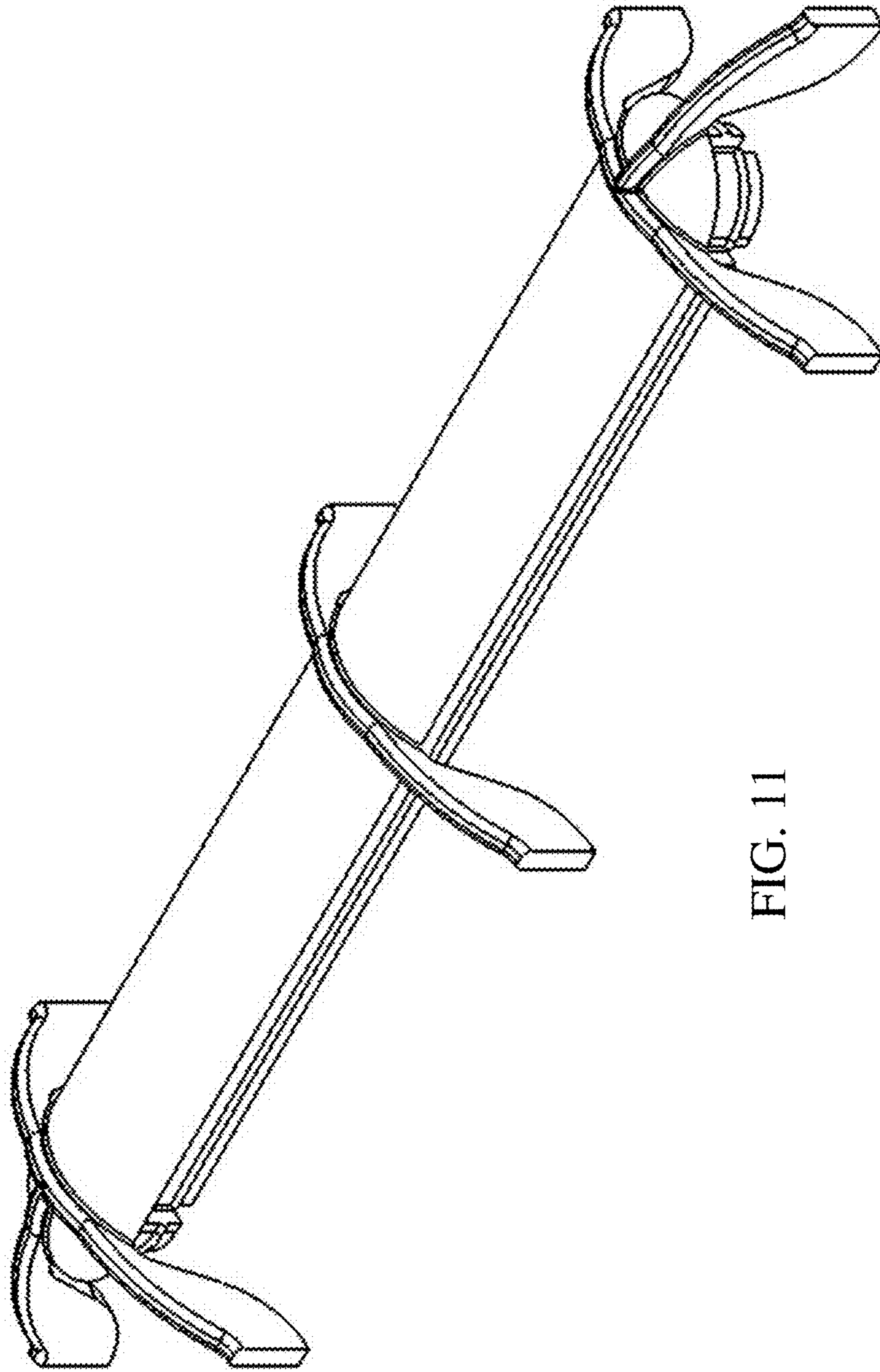


FIG. 11

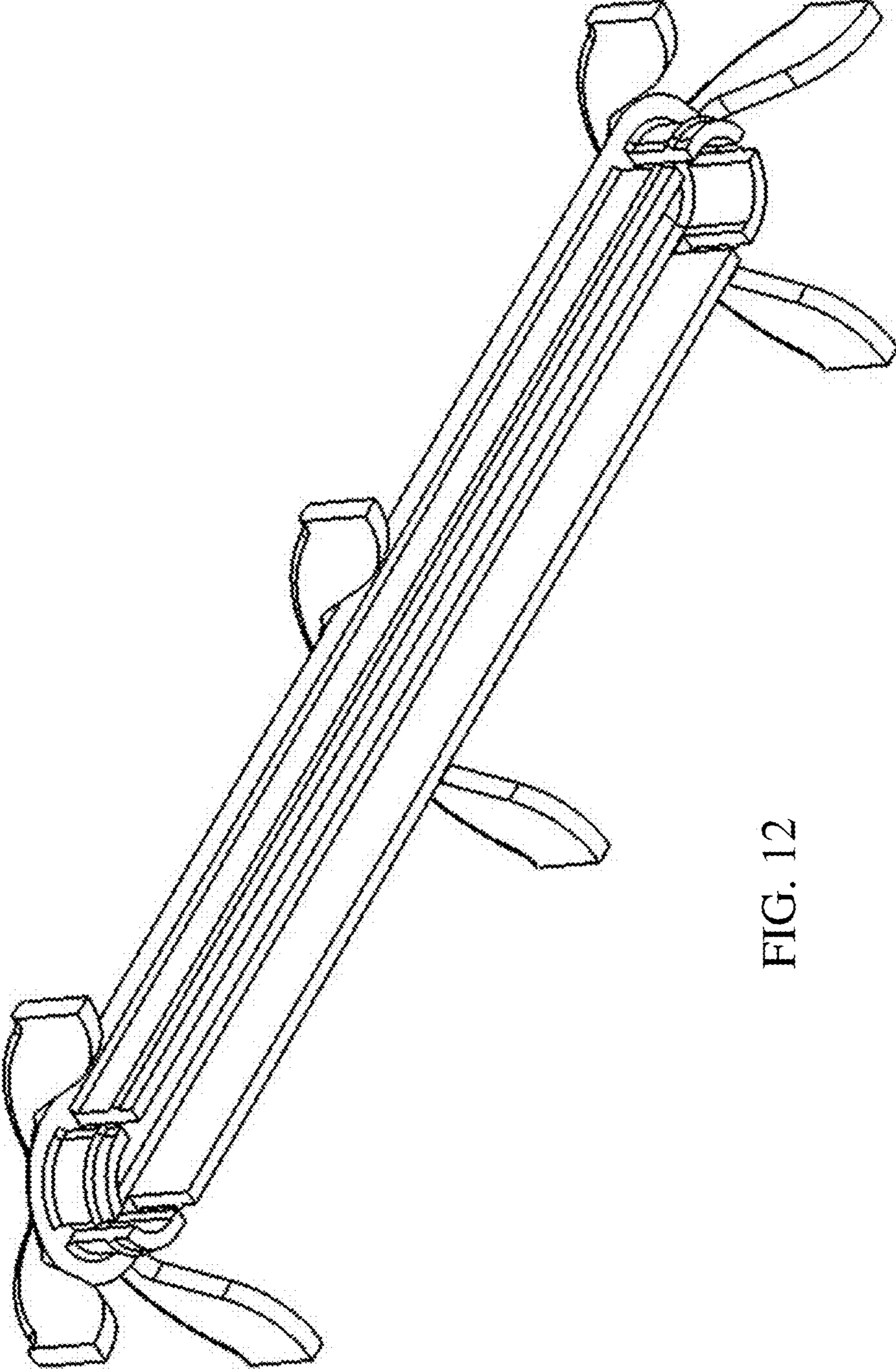


FIG. 12