



US00D720096S

(12) **United States Design Patent**
McDougall

(10) **Patent No.:** **US D720,096 S**

(45) **Date of Patent:** **** Dec. 23, 2014**

(54) **DENTAL FLOSS DISPENSER**

(71) Applicant: **Peri-Dent Ltd**, London (GB)

(72) Inventor: **Allan McDougall**, Edinburgh (GB)

(73) Assignee: **Peri-Dent Limited**, London (GB)

(**) Term: **14 Years**

(21) Appl. No.: **29/482,231**

(22) Filed: **Feb. 16, 2014**

(30) **Foreign Application Priority Data**

Jan. 13, 2014 (EM) 002383646

(51) **LOC (10) Cl.** **28-03**

(52) **U.S. Cl.**
USPC **D28/66**

(58) **Field of Classification Search**
CPC A61C 15/043
USPC D28/31, 56, 65-68, 73; D24/152;
433/141, 146-147; 132/322-329
See application file for complete search history.

(56) **References Cited**

U.S. PATENT DOCUMENTS

D306,500 S * 3/1990 Brahler D28/66
D334,860 S * 4/1993 Brown et al. D6/515
D381,773 S * 7/1997 Hemsley, Jr. D28/66
D475,282 S * 6/2003 Snaith et al. D9/420
D493,257 S * 7/2004 McCorkindale D28/66

D493,576 S * 7/2004 Ward D28/66
D510,461 S * 10/2005 Vu D28/66
D543,316 S * 5/2007 Hadtke et al. D28/66

* cited by examiner

Primary Examiner — Zenia Bennett

(74) *Attorney, Agent, or Firm* — Tillman Wright, PLLC;
Chad D. Tillman

(57) **CLAIM**

The ornamental design for a dental floss dispenser, as shown.

DESCRIPTION

FIG. 1 is a perspective view of a dental floss dispenser in accordance with the present invention.

FIG. 2 is an elevational view of a front of the dental floss dispenser of FIG. 1.

FIG. 3 is an elevational view of a back of the dental floss dispenser of FIG. 1.

FIG. 4 is an elevational view of a left side of the dental floss dispenser of FIG. 1.

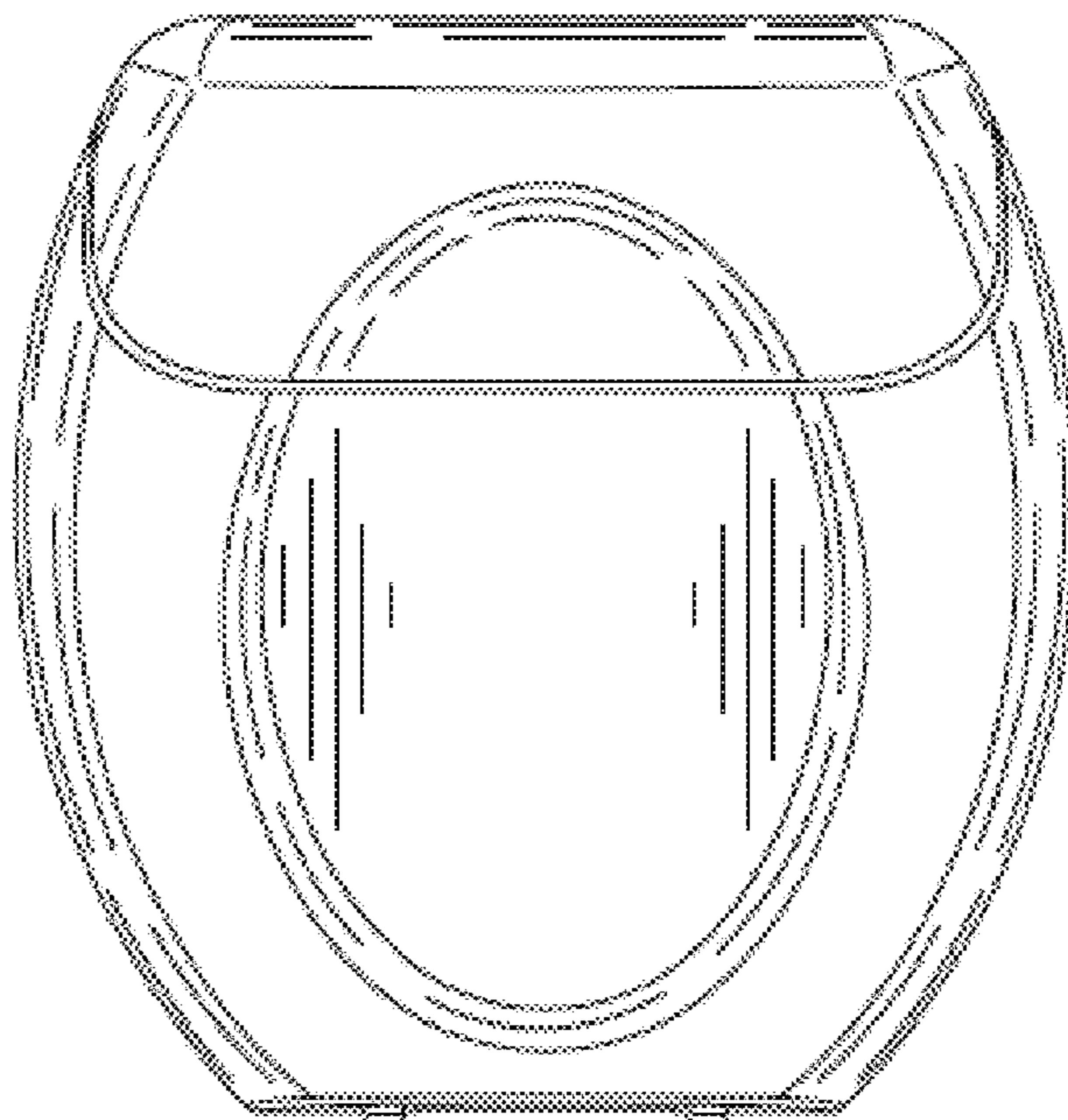
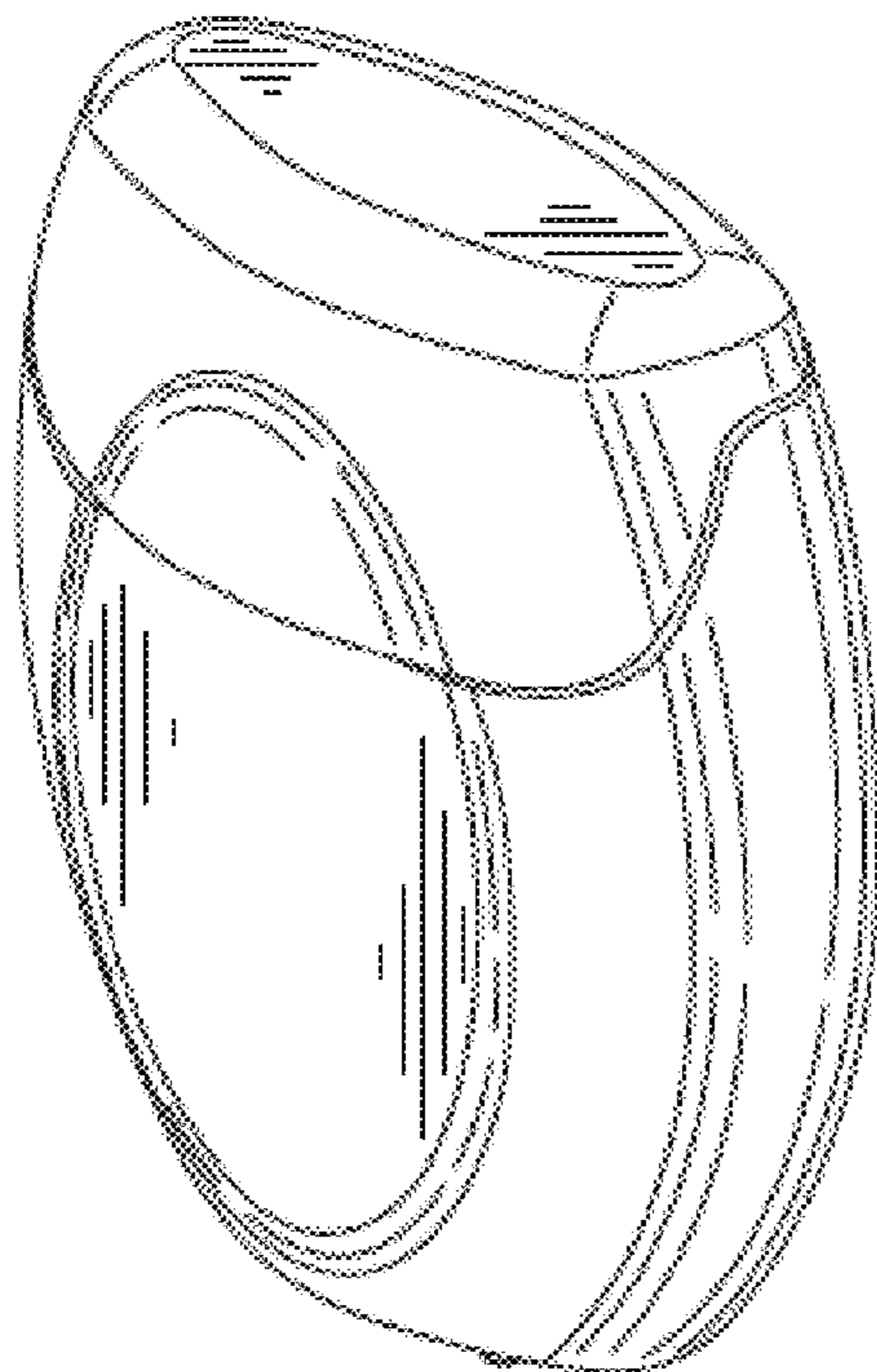
FIG. 5 is an elevational view of a right side of the dental floss dispenser of FIG. 1.

FIG. 6 is a view of the top of the dental floss dispenser of FIG. 1; and,

FIG. 7 is a view of the bottom of the dental floss dispenser of FIG. 1.

The broken lines are for environmental purposes only and form no part of the claimed design.

1 Claim, 7 Drawing Sheets



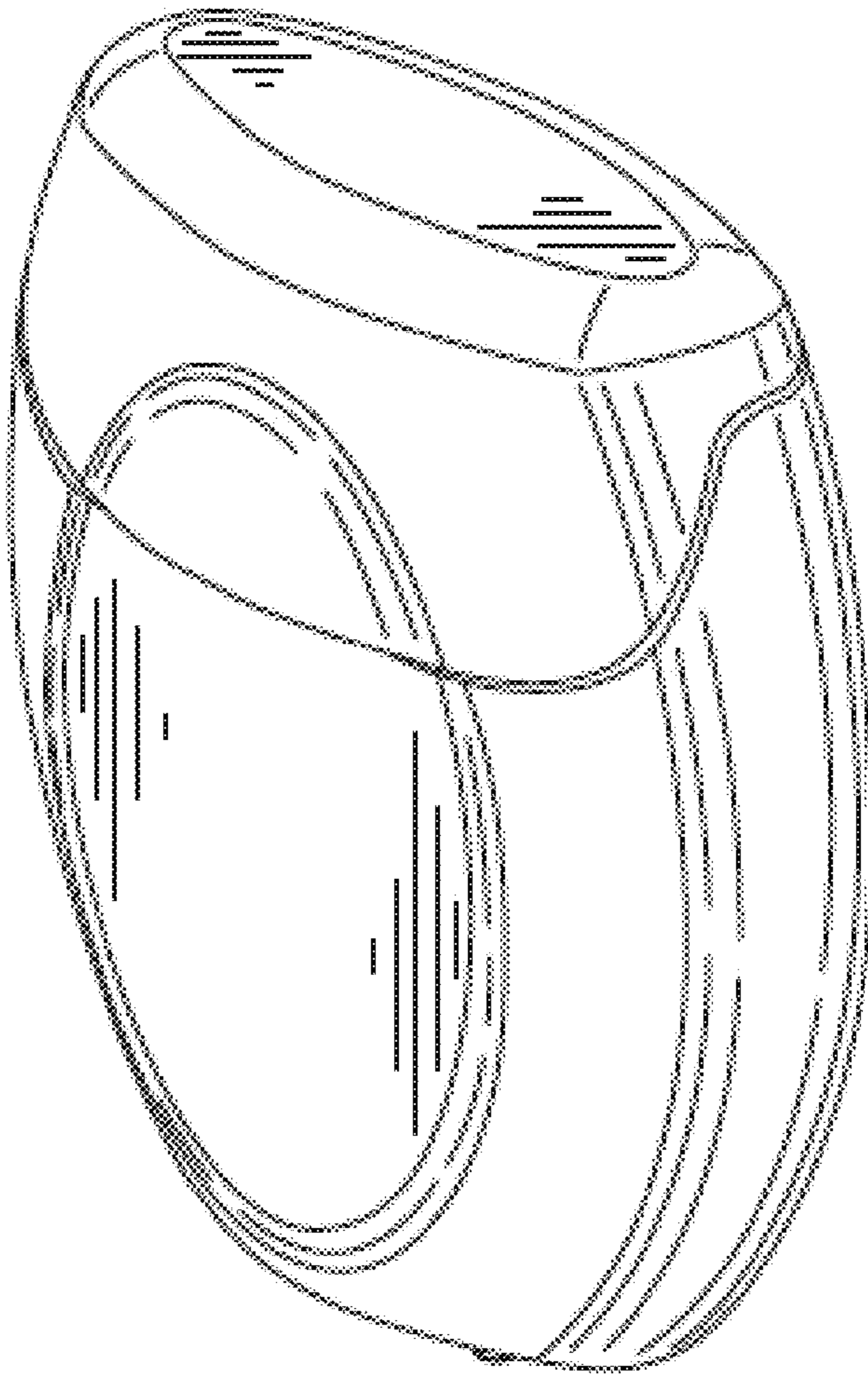


FIG. 1

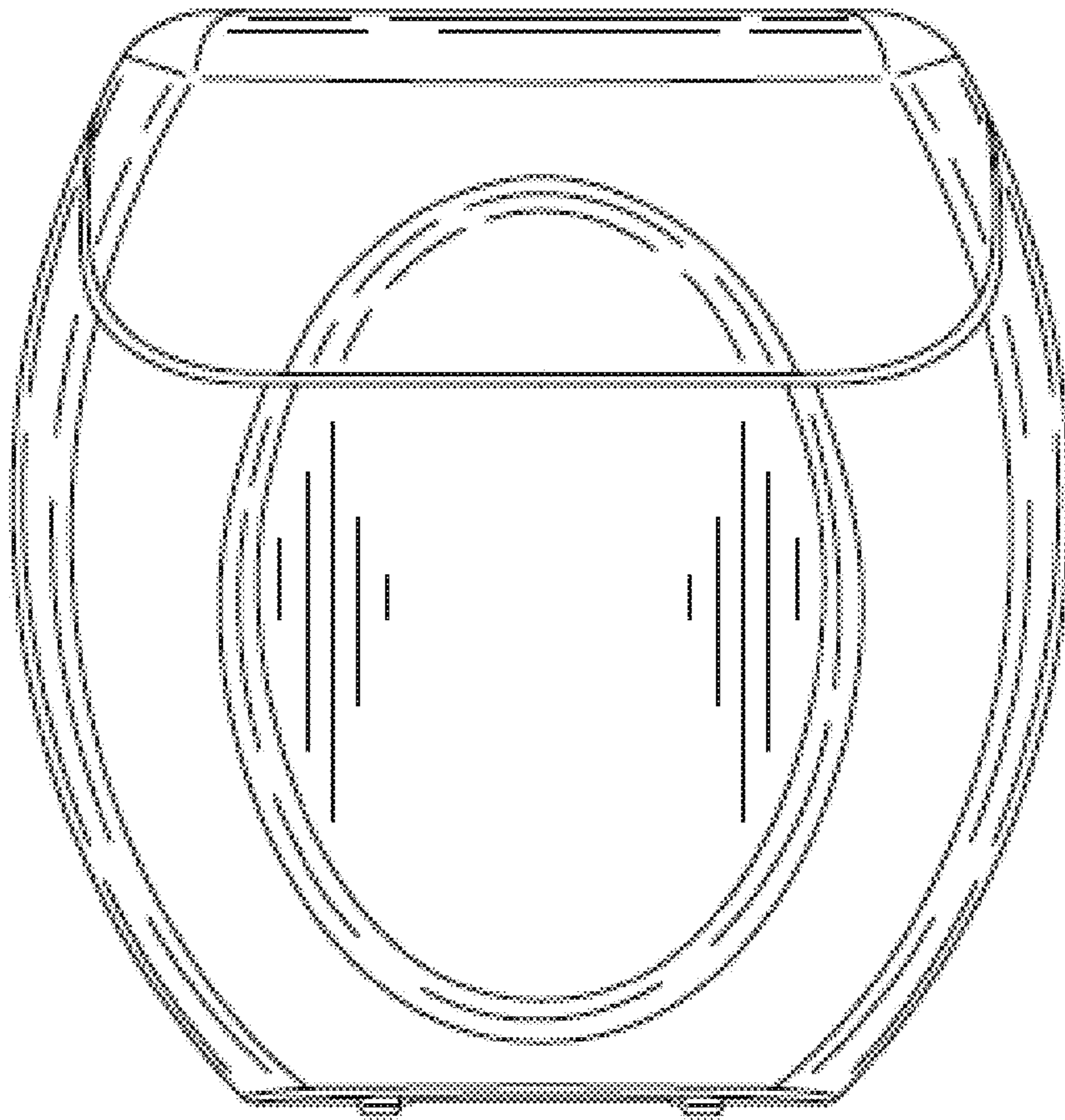


FIG. 2

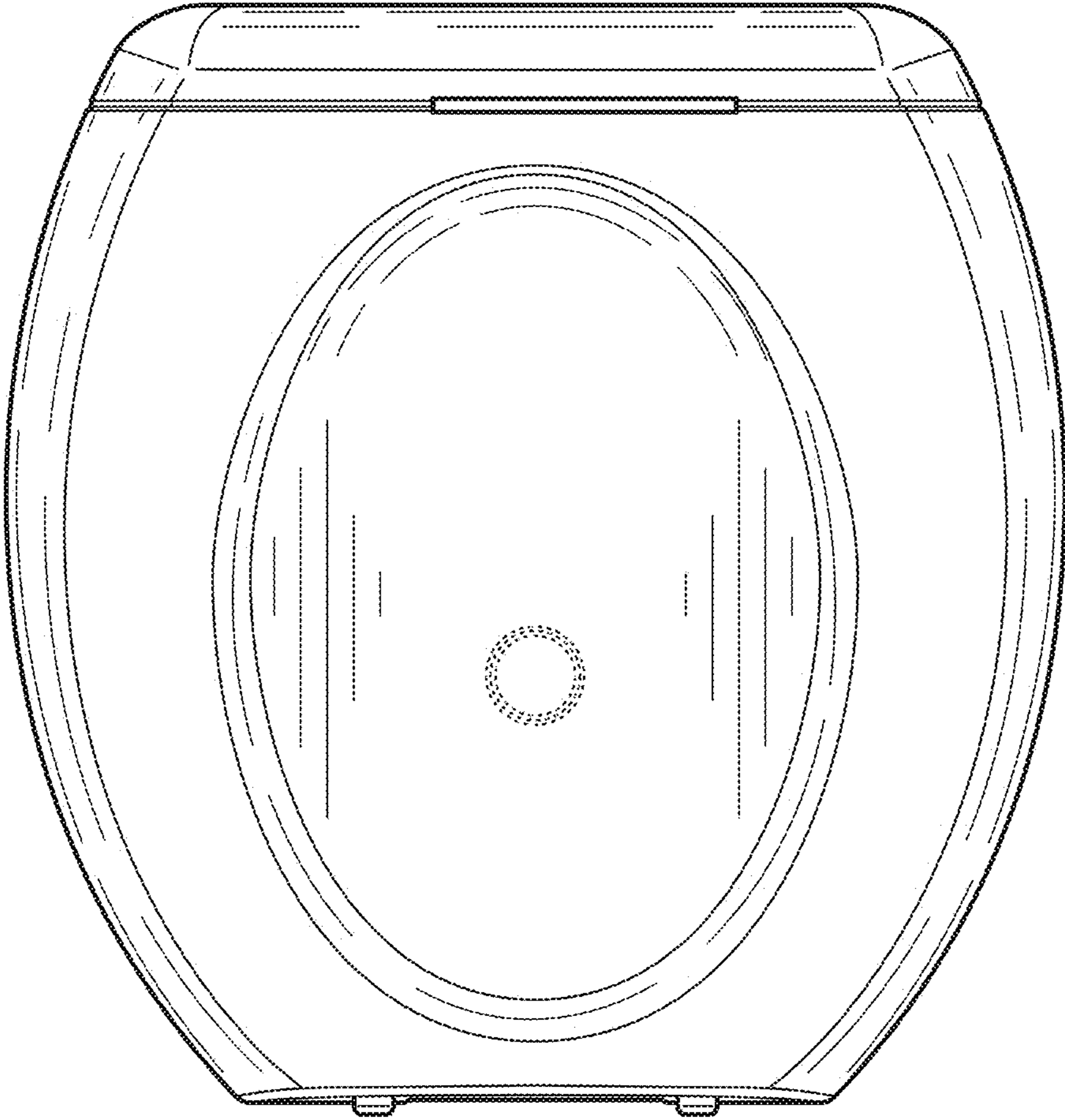


FIG. 3

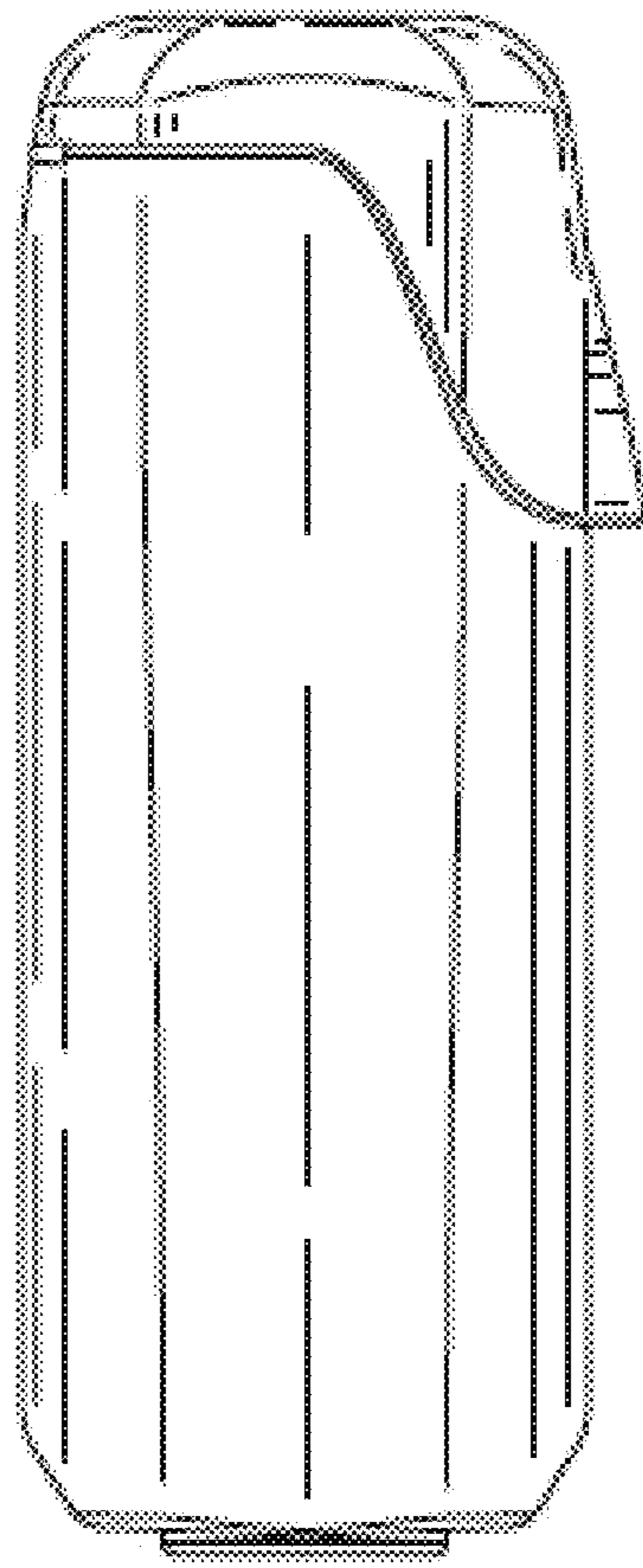


FIG. 4

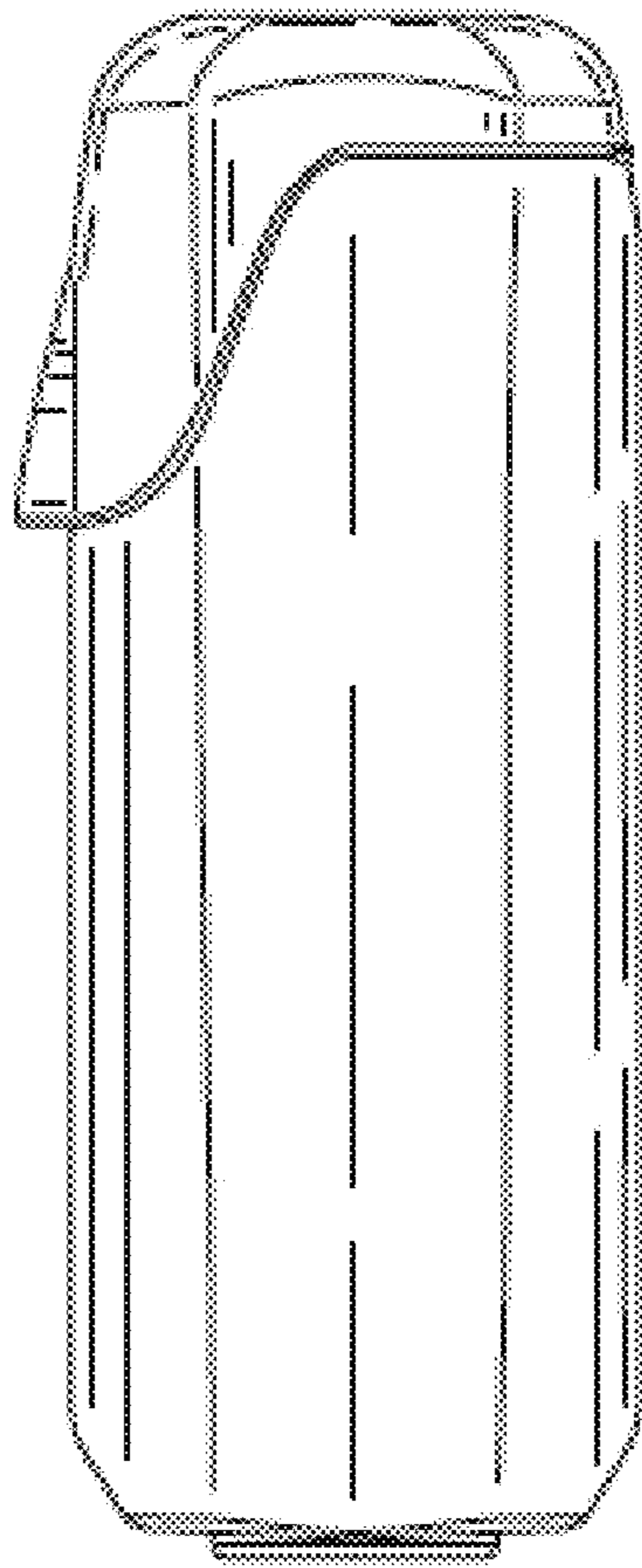


FIG. 5

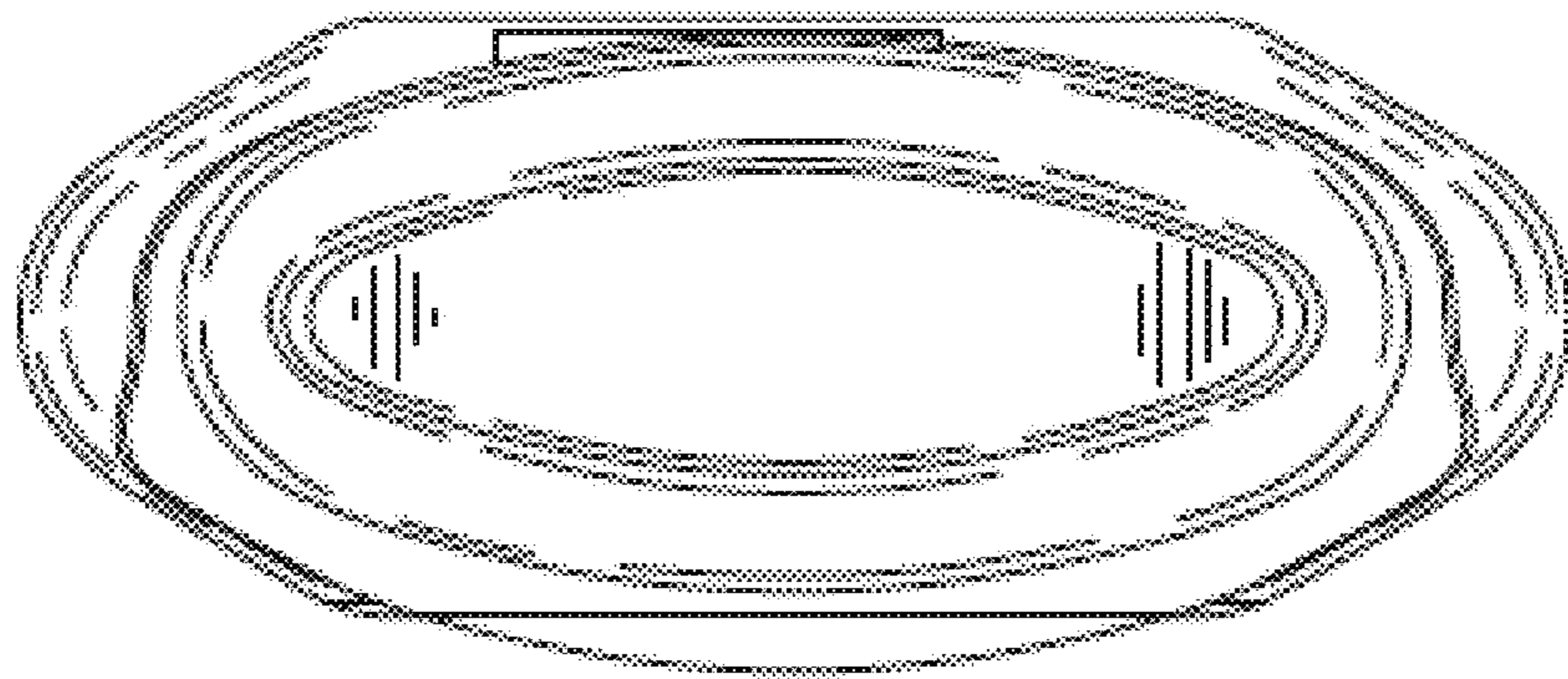


FIG. 6

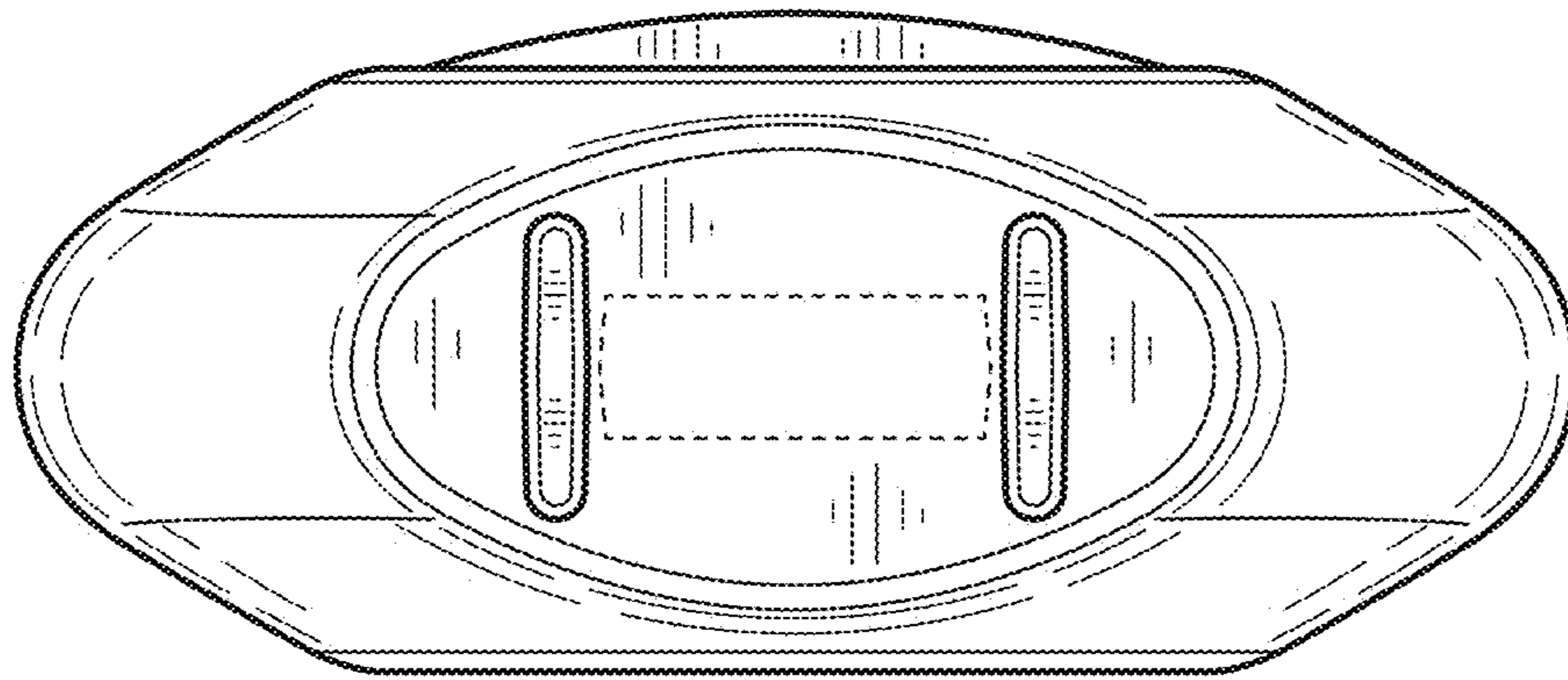


FIG. 7