



US00D720093S

(12) **United States Design Patent**
Lee

(10) **Patent No.:** **US D720,093 S**
(45) **Date of Patent:** **** Dec. 23, 2014**

(54) **CURVED LIGHT FIXTURE**
(71) Applicant: **HeathCo, LLC**, Bowling Green, KY
(US)
(72) Inventor: **Jonathan Arnold Lee**, LaGrange, IL
(US)
(73) Assignee: **HeathCo, LLC**, Bowling Green, KY
(US)
(**) Term: **14 Years**

D386,802 S 11/1997 Kim
5,726,706 A * 3/1998 Walsh 348/151
D457,540 S * 5/2002 Kieronski D16/130
D477,105 S 7/2003 Herst
D488,105 S 4/2004 Stahel et al.
D499,823 S 12/2004 Reiss
D565,786 S * 4/2008 Willmorth et al. D26/138
7,448,779 B2 11/2008 Coushaine
D589,640 S * 3/2009 Janssen D26/90
D591,444 S 4/2009 Beno
D595,447 S * 6/2009 Purcell D26/85
D598,156 S 8/2009 Xiao
D599,049 S 8/2009 Guercio
7,714,243 B2 5/2010 Birdwell

(Continued)

(21) Appl. No.: **29/491,109**
(22) Filed: **May 16, 2014**

Primary Examiner — Kevin Rudzinski
(74) *Attorney, Agent, or Firm* — Fitch Even Tabin & Flannery LLP

Related U.S. Application Data

(63) Continuation of application No. 29/475,016, filed on Nov. 27, 2013, now Pat. No. Des. 708,388.
(51) **LOC (10) Cl.** **26-99**
(52) **U.S. Cl.**
USPC **D26/120**
(58) **Field of Classification Search**
USPC D26/85, 86, 89, 87, 113, 120, 122, 124,
D26/125, 118, 119, 128, 92, 65, 64, 63, 66,
D26/67, 69, 1, 2, 74, 75, 76, 78; 362/364,
362/362, 342, 223, 236, 247, 224, 147;
D13/179, 180
See application file for complete search history.

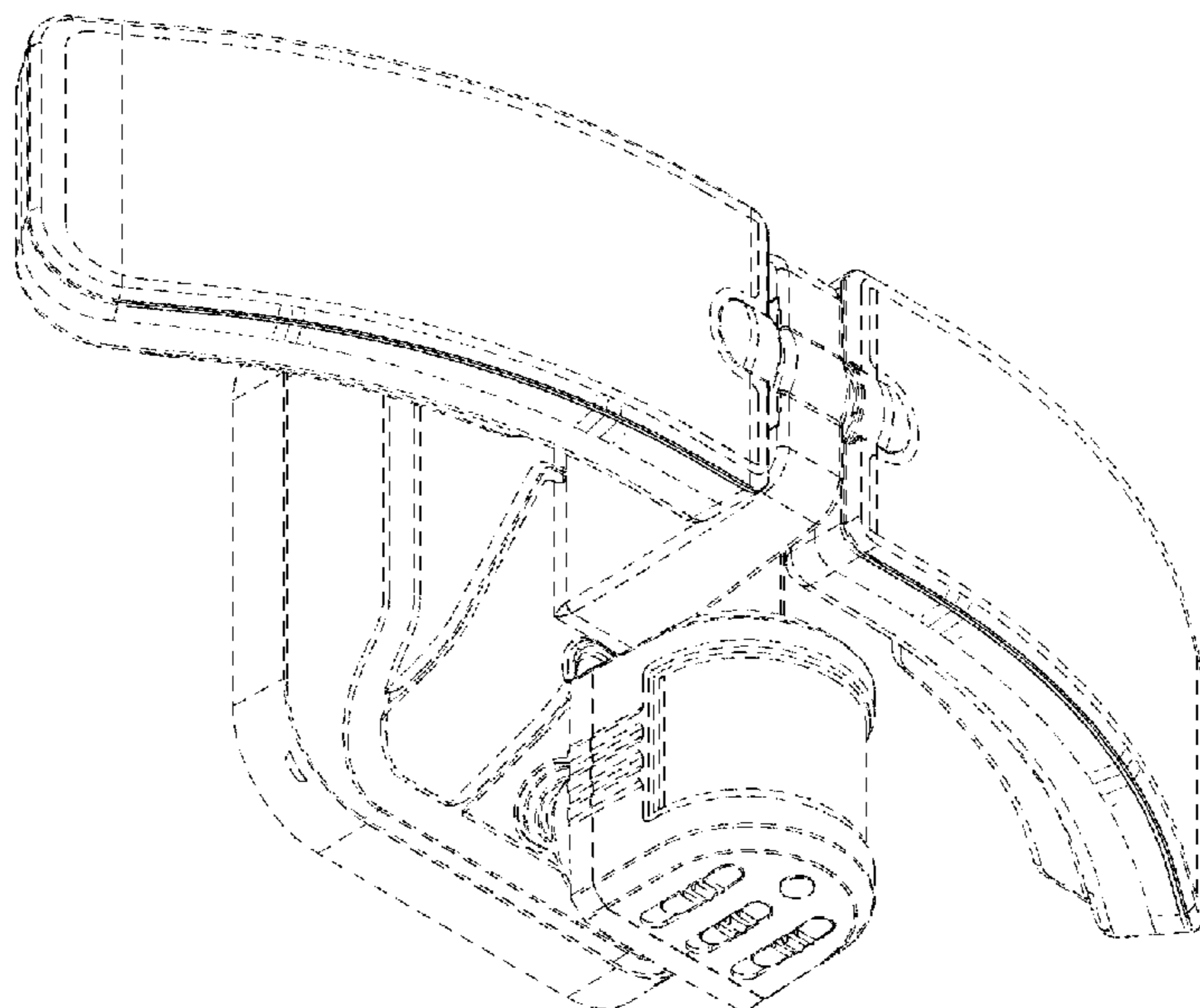
(57) **CLAIM**
I claim the ornamental design for a curved light fixture, as shown and described.

DESCRIPTION

FIG. 1 is a bottom perspective view of my new design comprising a curved light fixture;
FIG. 2 is a rear perspective view of the curved light fixture of FIG. 1;
FIG. 3 is a front view of the curved light fixture of FIG. 1;
FIG. 4 is a rear view of the curved light fixture of FIG. 1;
FIG. 5 is a left side view of the curved light fixture of FIG. 1;
FIG. 6 is a right side view of the curved light fixture of FIG. 1;
FIG. 7 is a top view of the curved light fixture of FIG. 1; and,
FIG. 8 is a bottom view of the curved light fixture of FIG. 1.
The broken lines shown in the drawings illustrate portions of the light fixture that form no part of the claimed design.

(56) **References Cited**
U.S. PATENT DOCUMENTS
D269,210 S 5/1983 Cutlip
D336,756 S 6/1993 Meisner
D385,370 S 10/1997 Moore
D386,801 S * 11/1997 Orgovan D26/31

1 Claim, 4 Drawing Sheets



(56)

References Cited

U.S. PATENT DOCUMENTS

D621,986 S 8/2010 Yan
D622,886 S 8/2010 Zheng
D633,646 S * 3/2011 Marcaccio et al. D26/118
D636,515 S 4/2011 Wang
D641,097 S * 7/2011 Kocks D26/89
D642,319 S * 7/2011 Sprengers D26/85
D643,142 S * 8/2011 Kocks D26/90

D647,236 S 10/2011 Chang
D649,198 S * 11/2011 Mims D20/42
D656,267 S 3/2012 Laporte
D656,502 S * 3/2012 Cacioppo et al. D14/453
D670,022 S 10/2012 Green
D670,023 S * 10/2012 Green D26/128
D683,066 S * 5/2013 Myung D26/120
D688,403 S 8/2013 Landefeld
D708,388 S * 7/2014 Lee D26/120

* cited by examiner

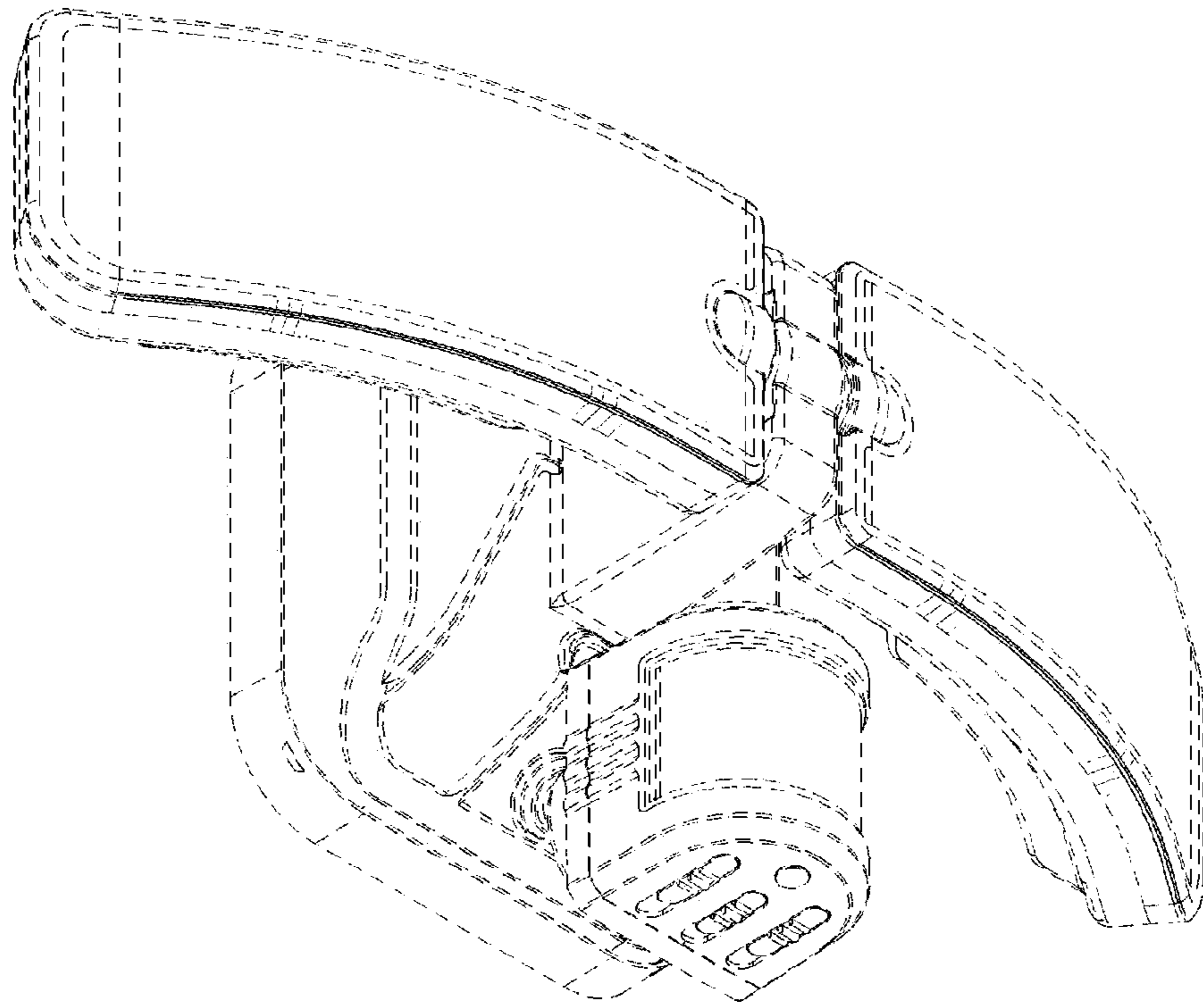


FIG. 1

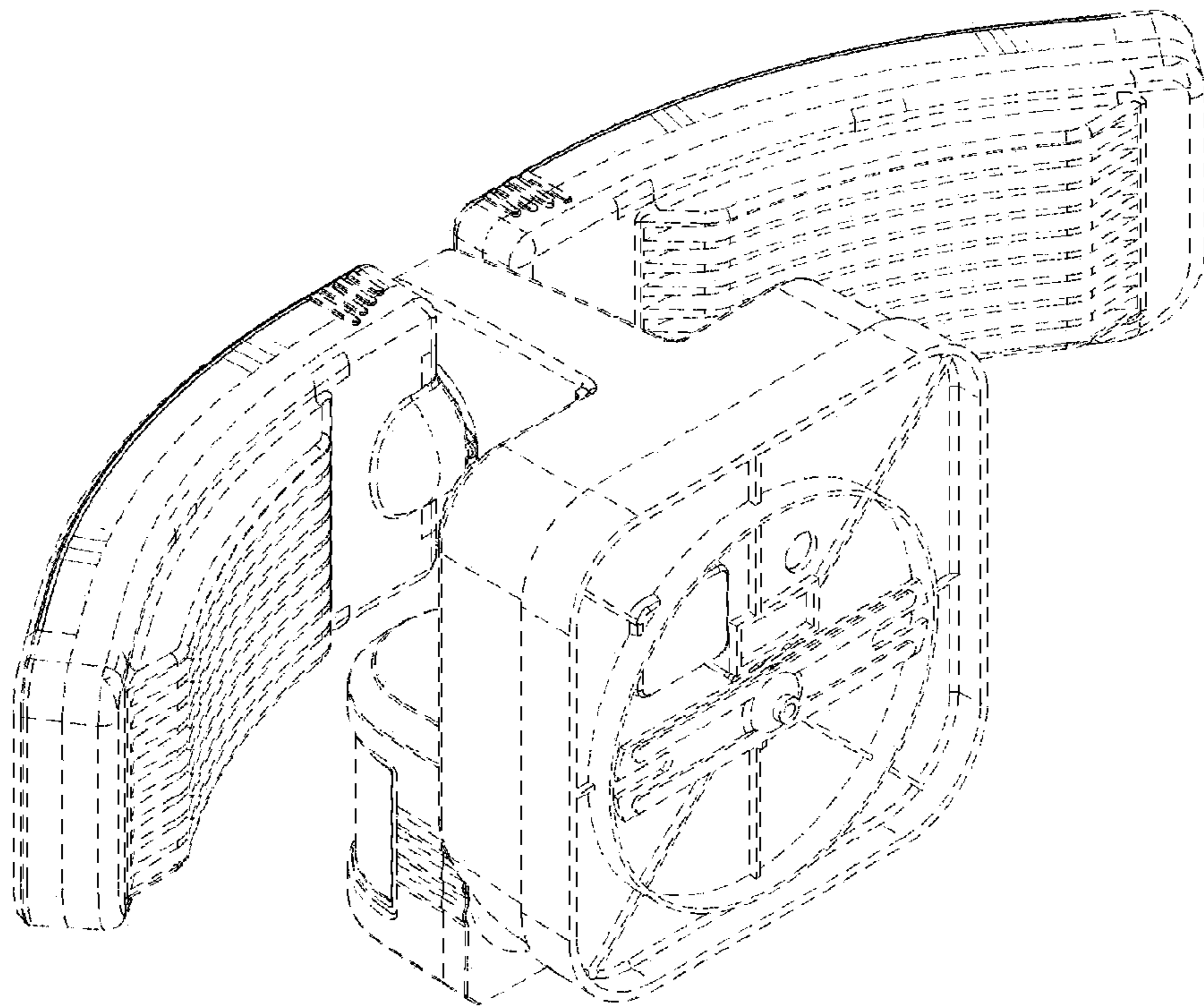


FIG. 2

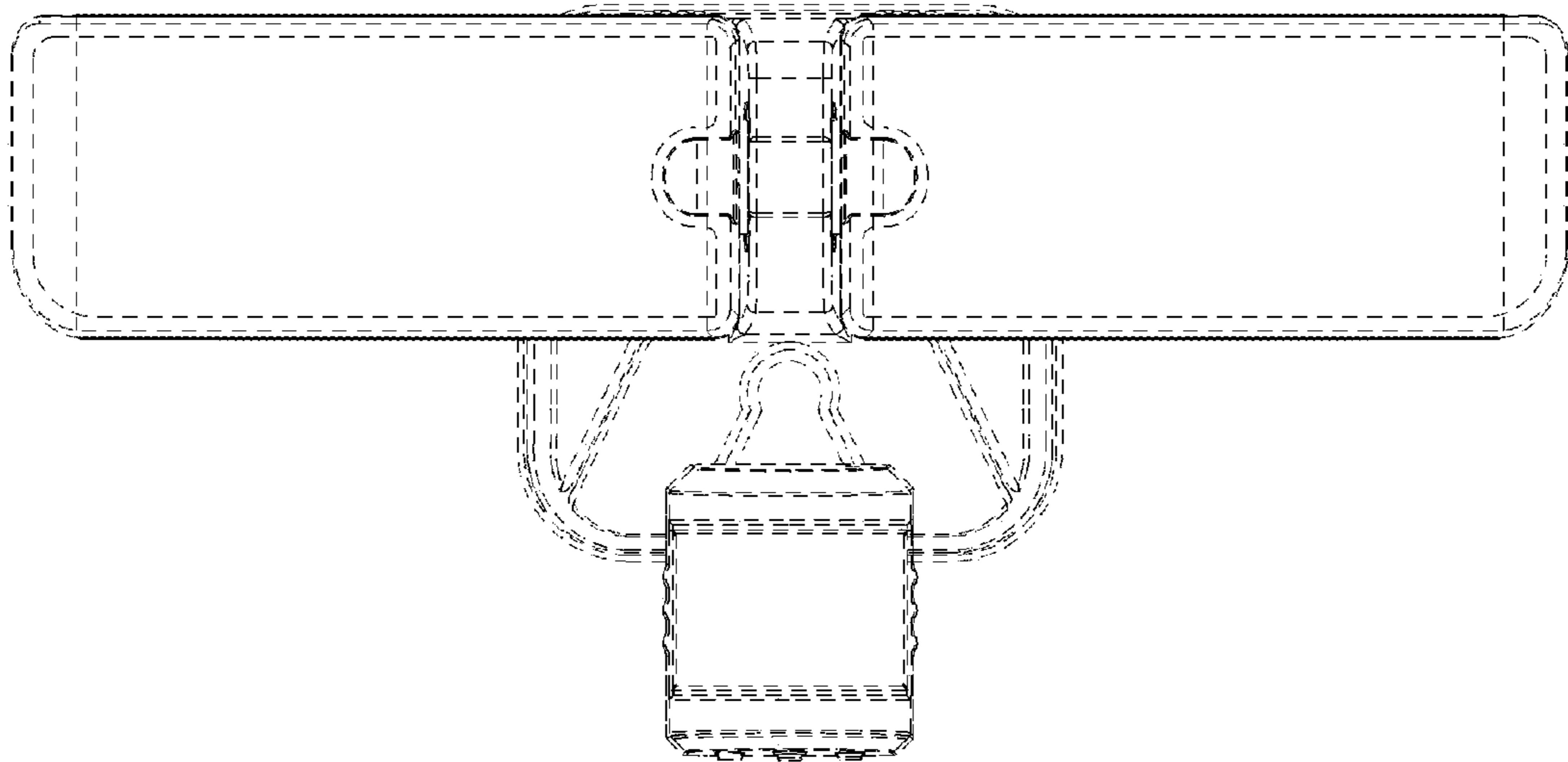


FIG. 3

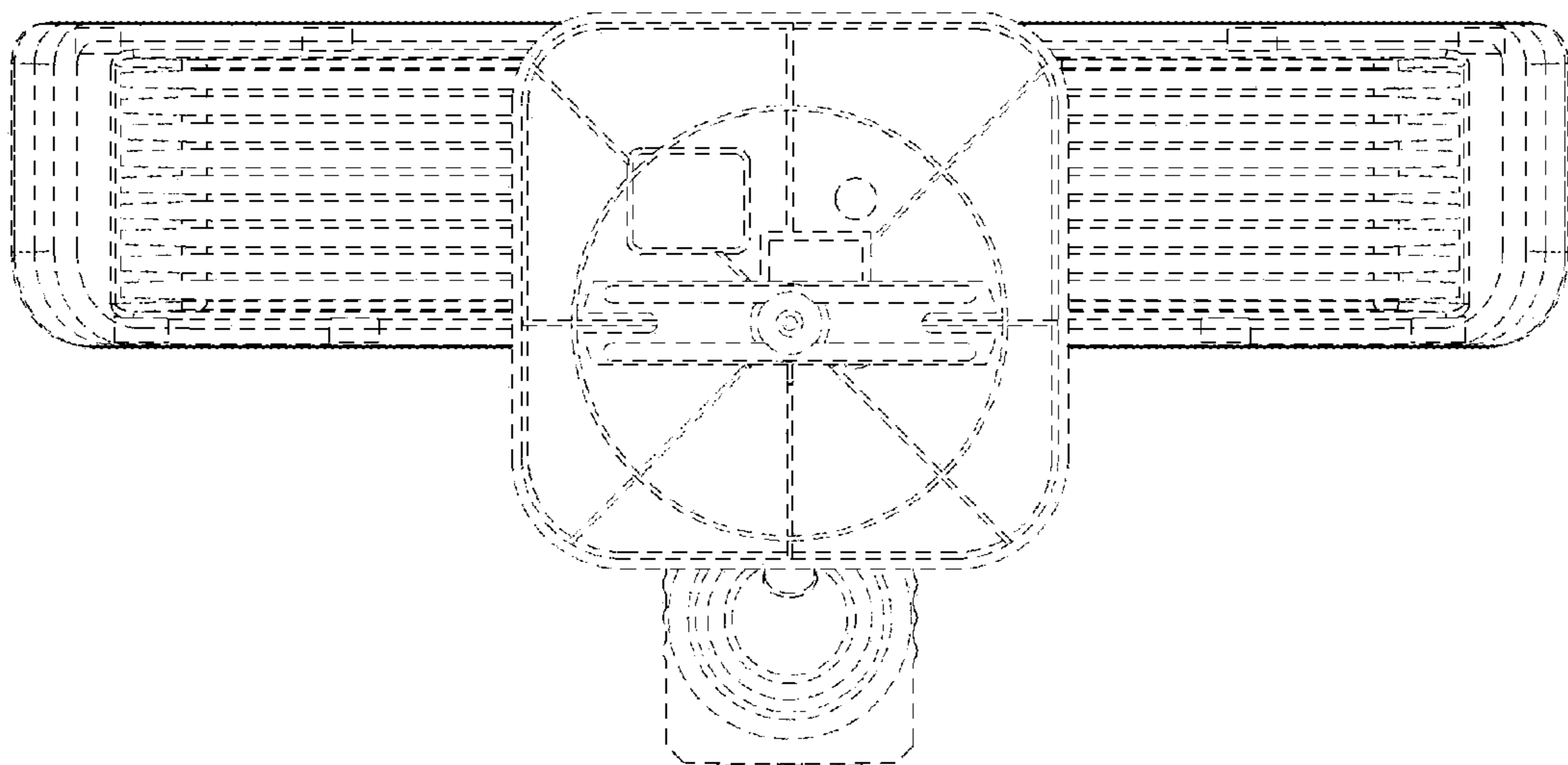


FIG. 4

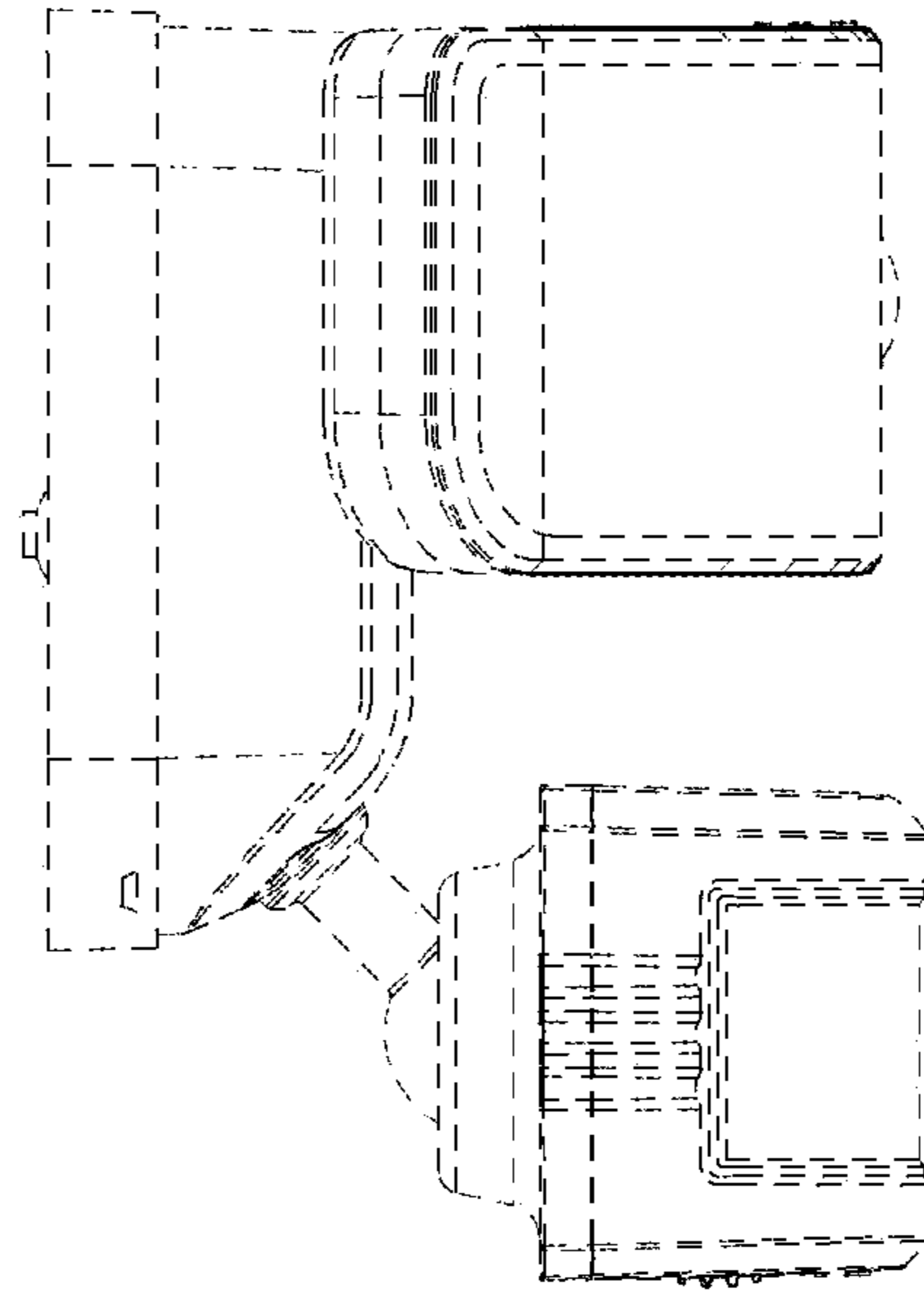


FIG. 5

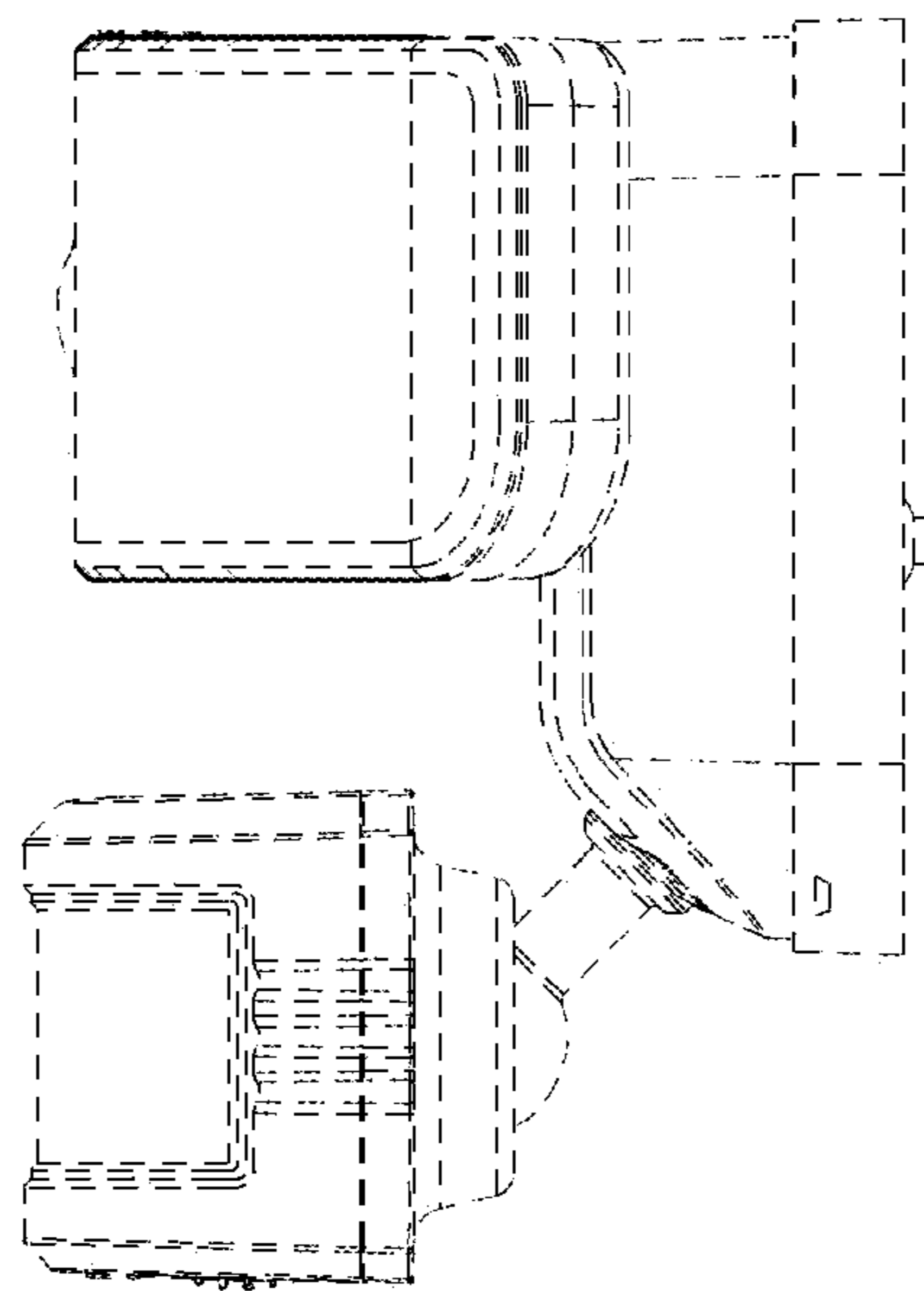


FIG. 6

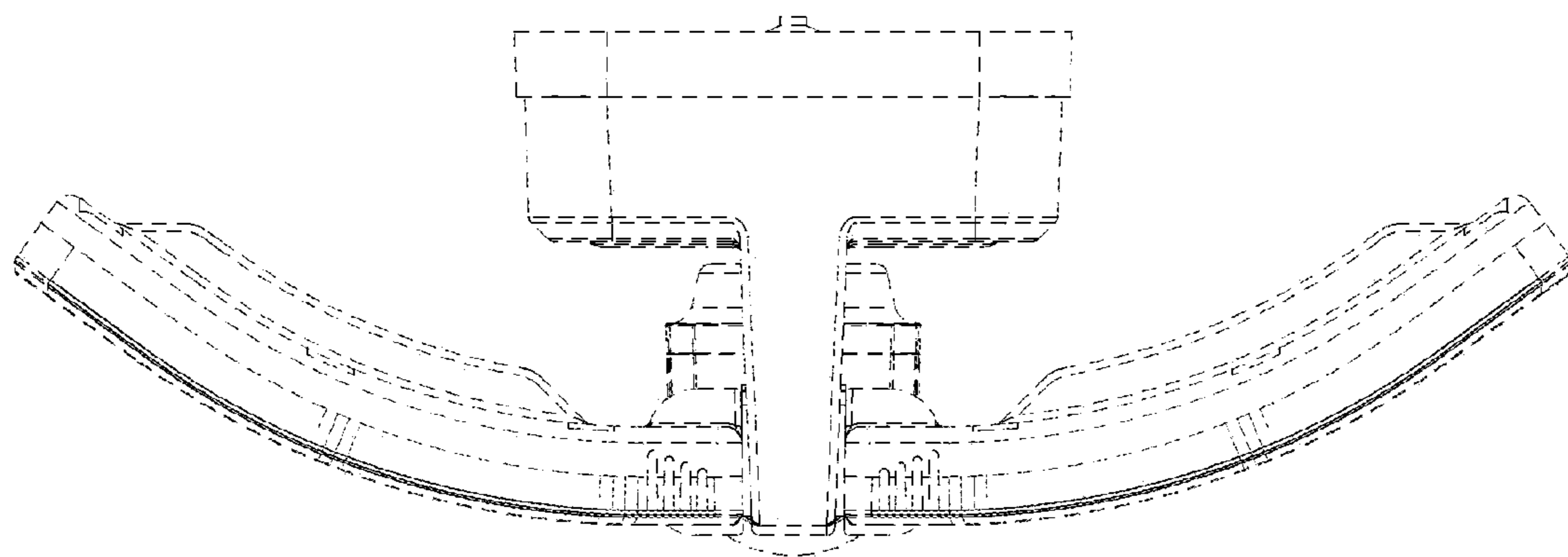


FIG. 7

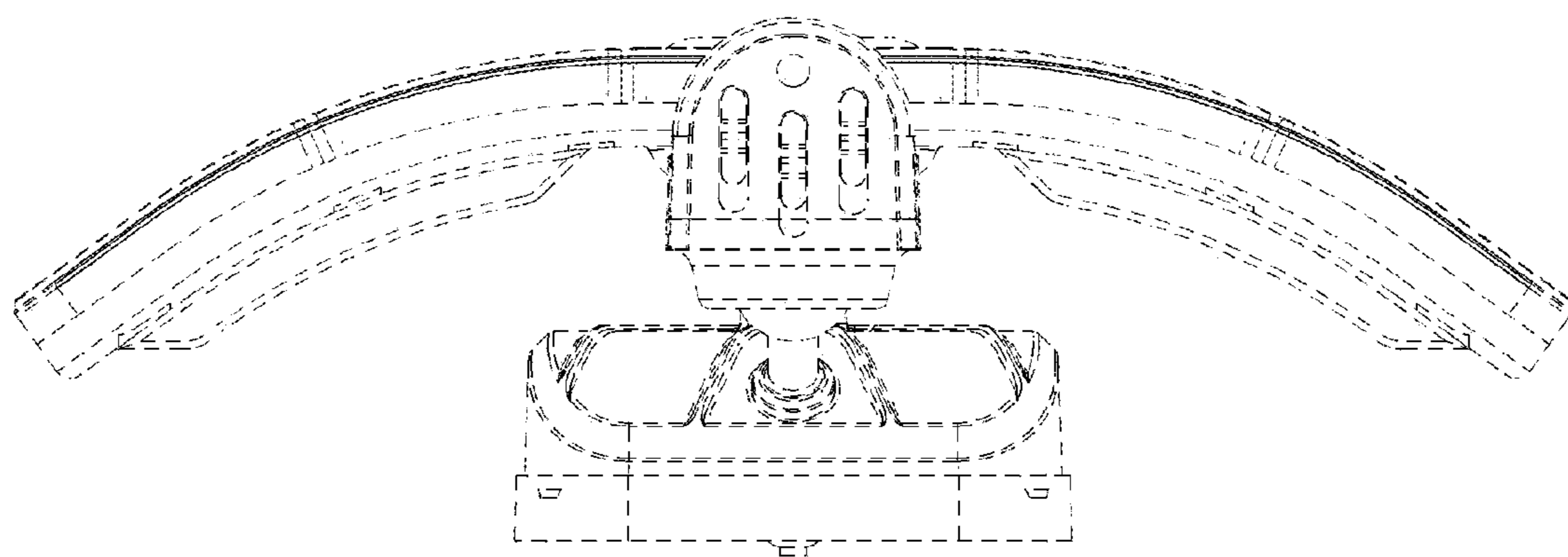


FIG. 8