



US00D720092S

(12) **United States Design Patent**
Trice et al.

(10) **Patent No.:** **US D720,092 S**

(45) **Date of Patent:** **** Dec. 23, 2014**

(54) **SCONCE**

(71) Applicants: **Douglas Cameron Trice**, Oklahoma City, OK (US); **Marde Burke**, Edmond, OK (US)

(72) Inventors: **Douglas Cameron Trice**, Oklahoma City, OK (US); **Marde Burke**, Edmond, OK (US)

(**) Term: **14 Years**

(21) Appl. No.: **29/465,119**

(22) Filed: **Aug. 23, 2013**

(51) **LOC (10) Cl.** **26-03**

(52) **U.S. Cl.**
USPC **D26/85; D26/26**

(58) **Field of Classification Search**
USPC D26/26, 72, 85; 362/147, 350, 432, 362/641, 644, 653, 657
See application file for complete search history.

(56) **References Cited**

U.S. PATENT DOCUMENTS

| | | | | |
|--------------|---------|--------------|-------|--------|
| D110,164 S * | 6/1938 | Arenberg | | D26/24 |
| D287,408 S * | 12/1986 | Gaines | | D26/26 |
| D301,750 S * | 6/1989 | Fenne | | D26/26 |
| D323,405 S * | 1/1992 | Kin | | D26/51 |
| D330,438 S * | 10/1992 | Herst et al. | | D26/85 |
| D343,018 S * | 1/1994 | Garrity | | D26/37 |

| | | | | |
|--------------|---------|-----------------|-------|--------|
| D357,997 S * | 5/1995 | Wegrzyn et al. | | D26/85 |
| D366,127 S * | 1/1996 | Yuen | | D26/26 |
| D368,535 S * | 4/1996 | Braviroff | | D26/26 |
| D384,177 S * | 9/1997 | Pun | | D26/51 |
| D627,916 S * | 11/2010 | Butteris et al. | | D26/85 |
| D644,770 S * | 9/2011 | Chao | | D26/26 |
| D660,491 S * | 5/2012 | Holscher | | D26/63 |

* cited by examiner

Primary Examiner — Clare E Heflin

(74) *Attorney, Agent, or Firm* — LaBrie PC

(57) **CLAIM**

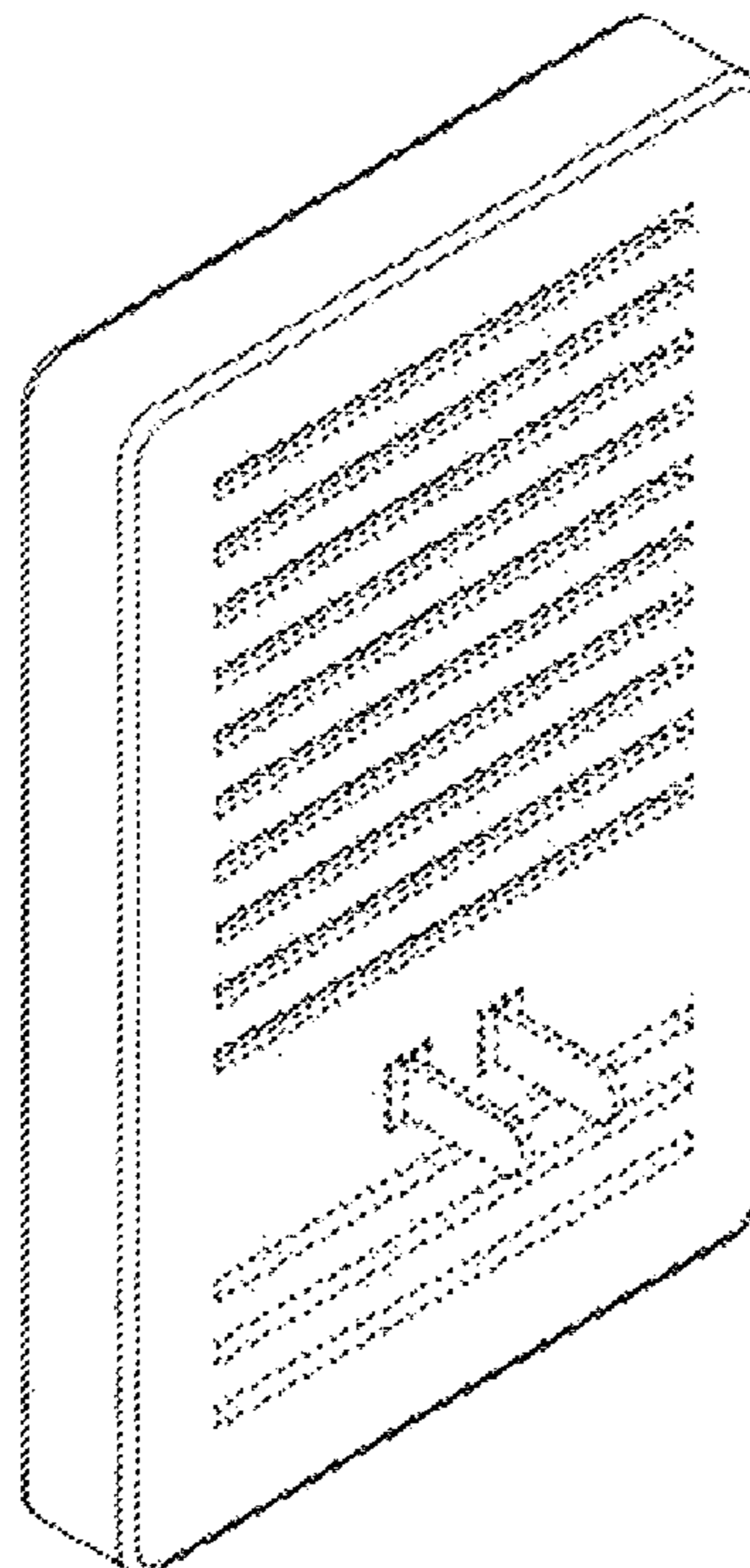
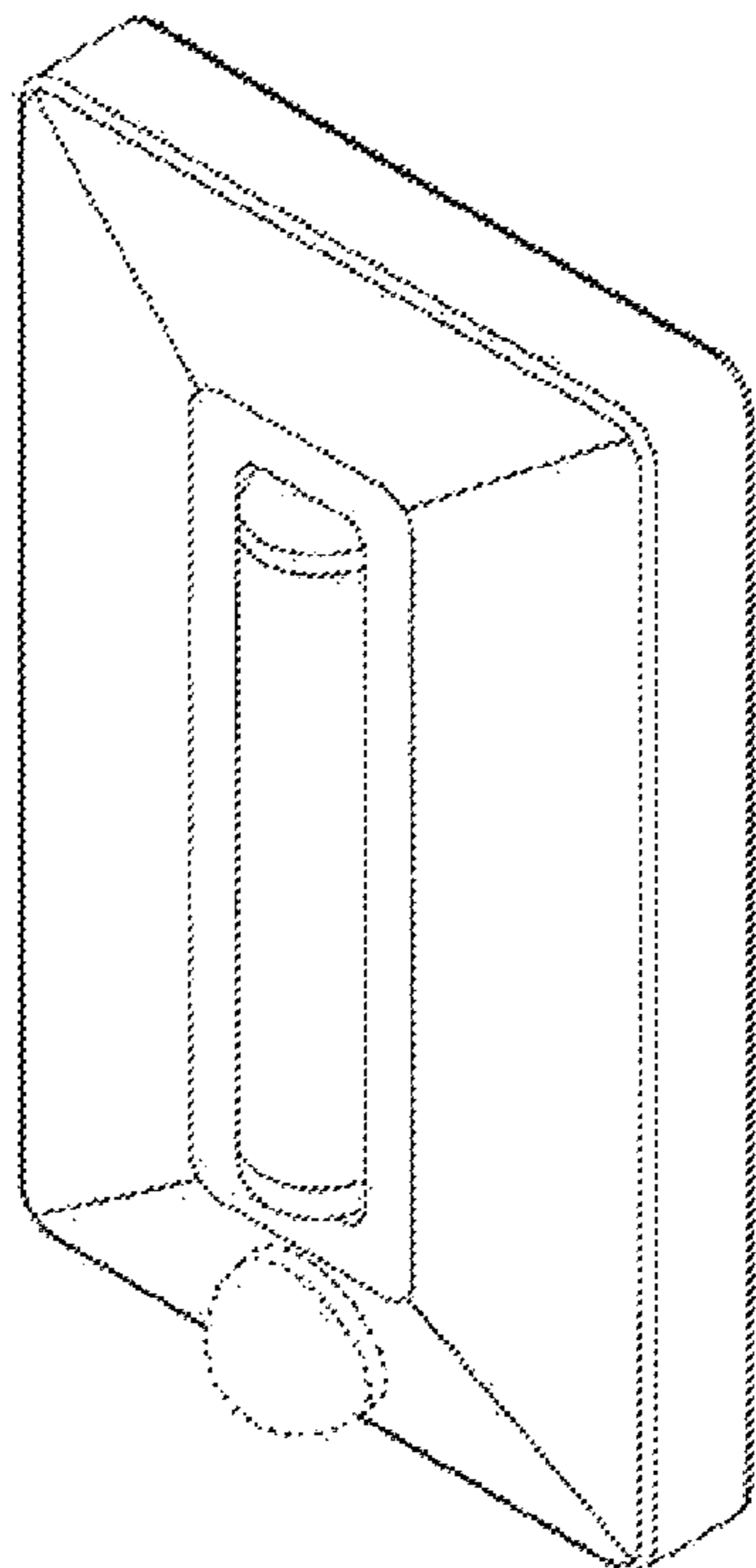
The ornamental design for a sconce, as shown and described.

DESCRIPTION

FIG. 1 is a front elevational view of a sconce comprising the new design;
FIG. 2 is a side elevational view;
FIG. 3 is a back elevational view;
FIG. 4 is a side elevational view;
FIG. 5 is a front perspective view;
FIG. 6 is a back perspective view;
FIG. 7 is a top plan view; and,
FIG. 8 is bottom plan view.

The broken lines included in the drawings are for illustrative purposes and form no part of the claimed design.

1 Claim, 3 Drawing Sheets



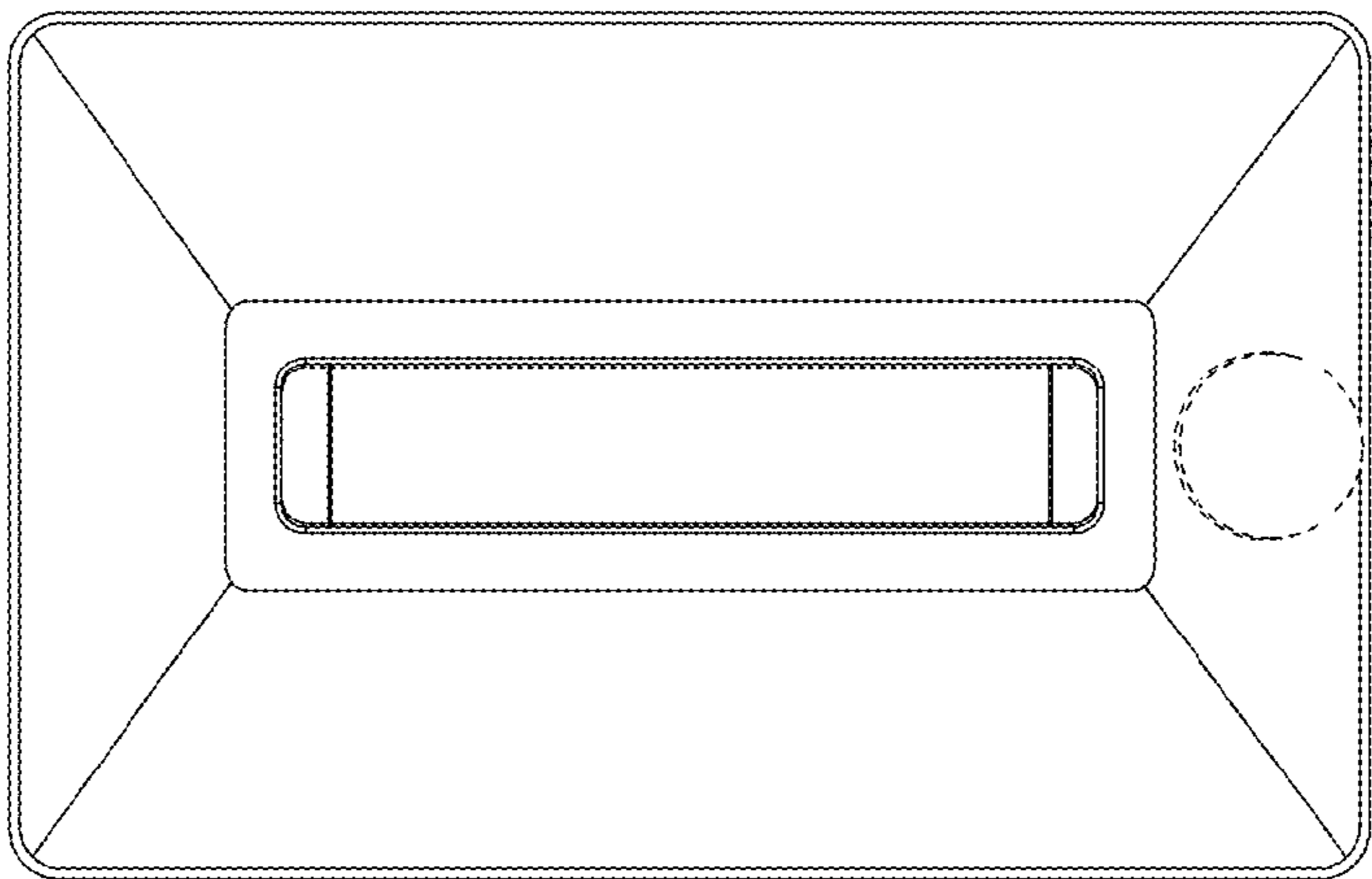


Figure 1

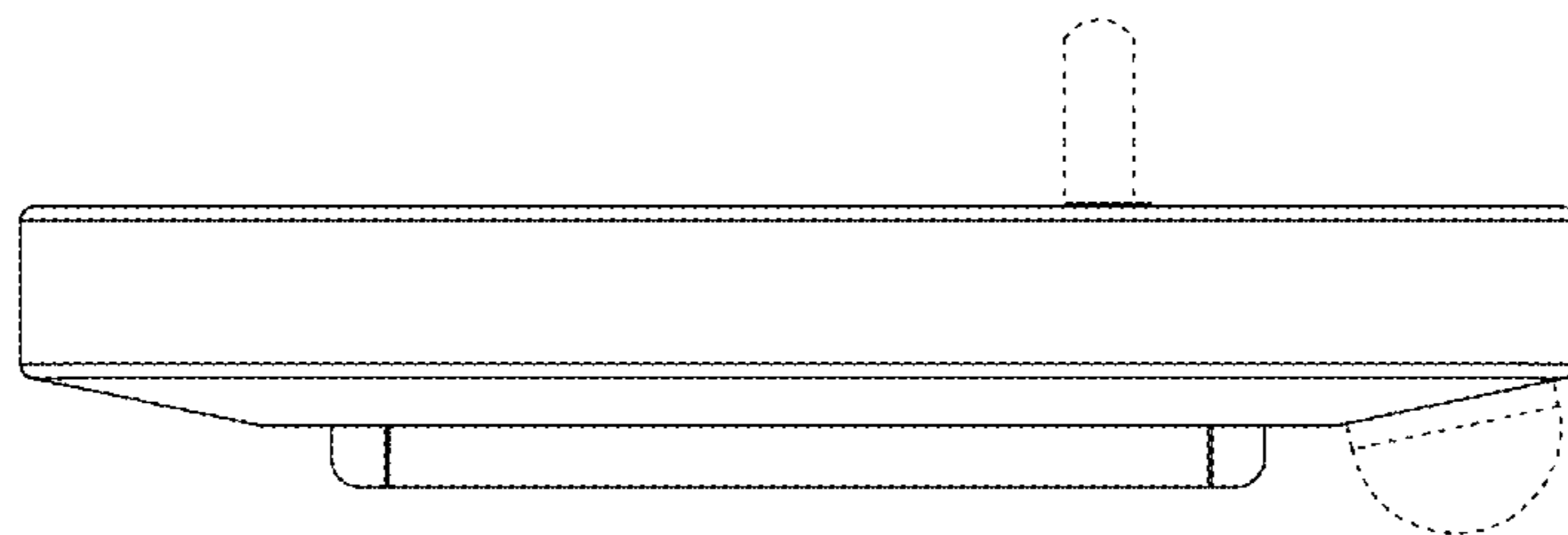


Figure 2

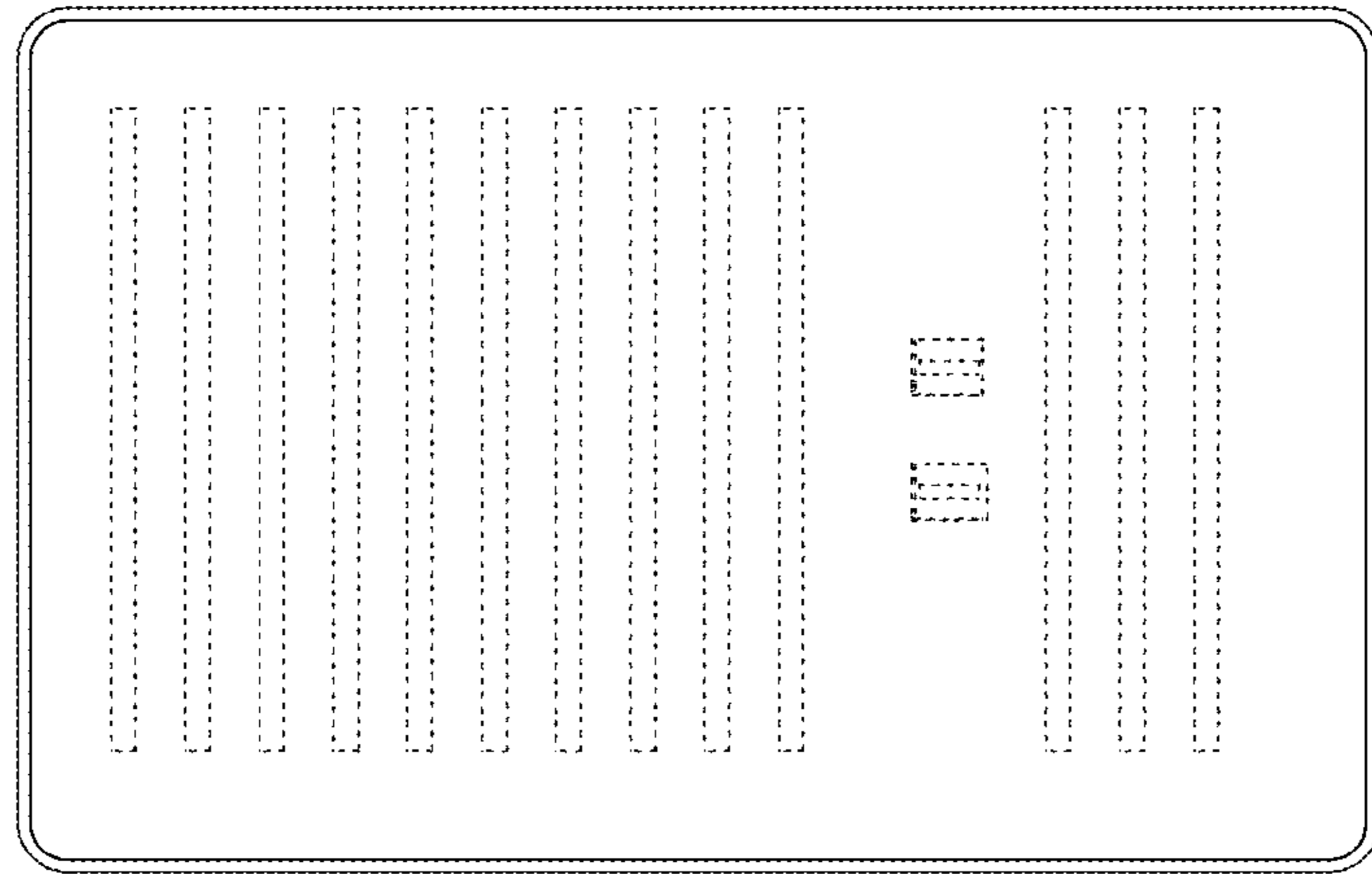


Figure 3

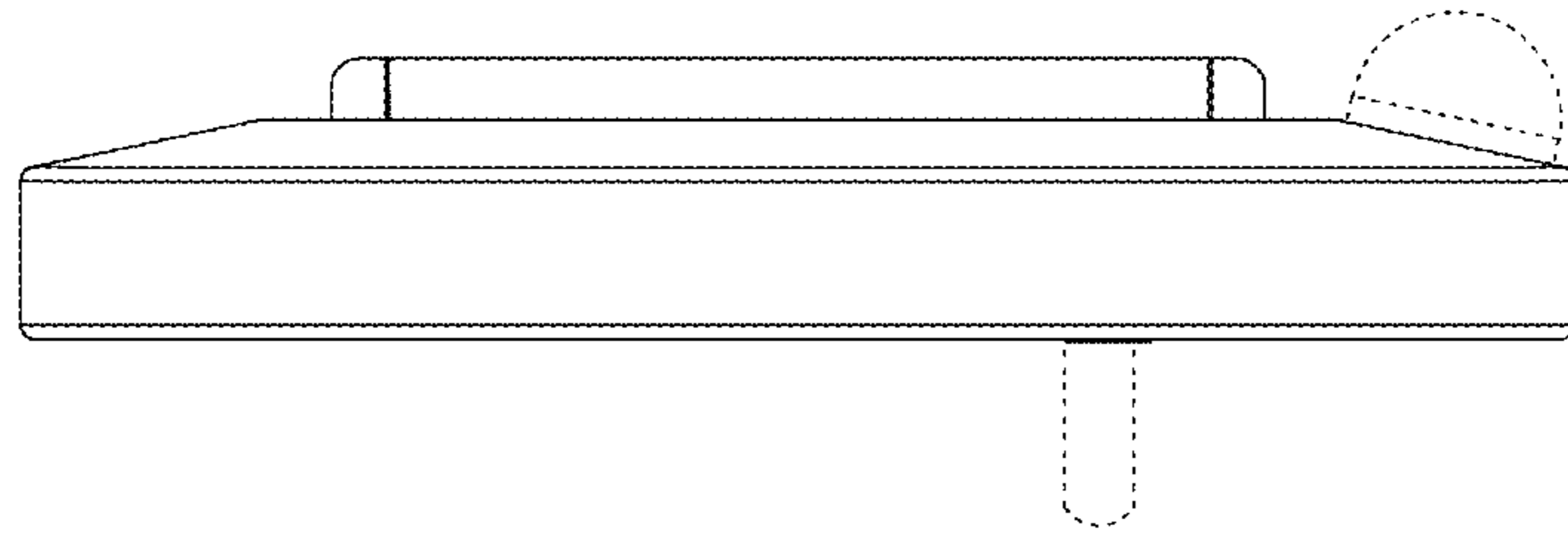


Figure 4

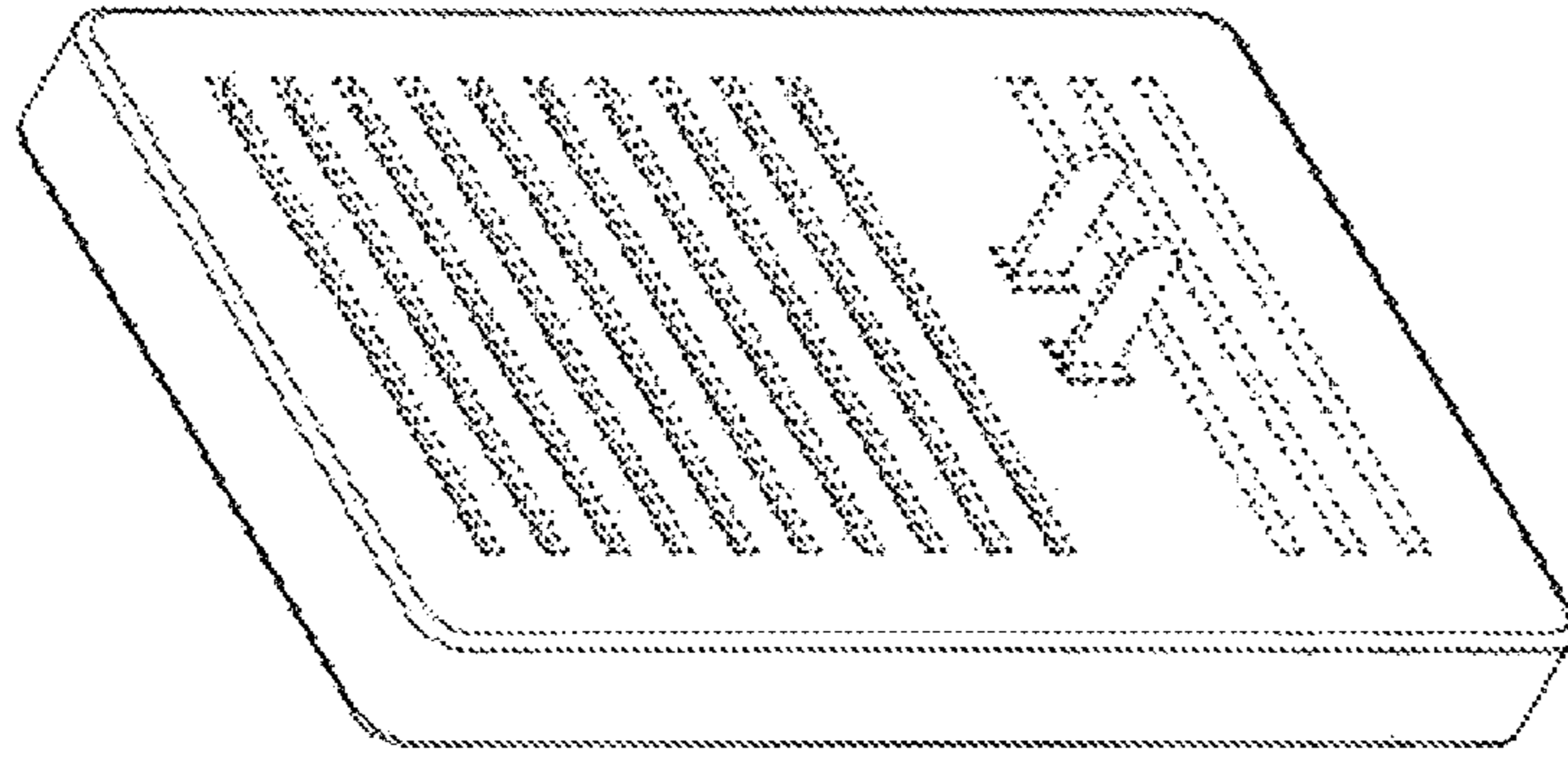


Figure 6

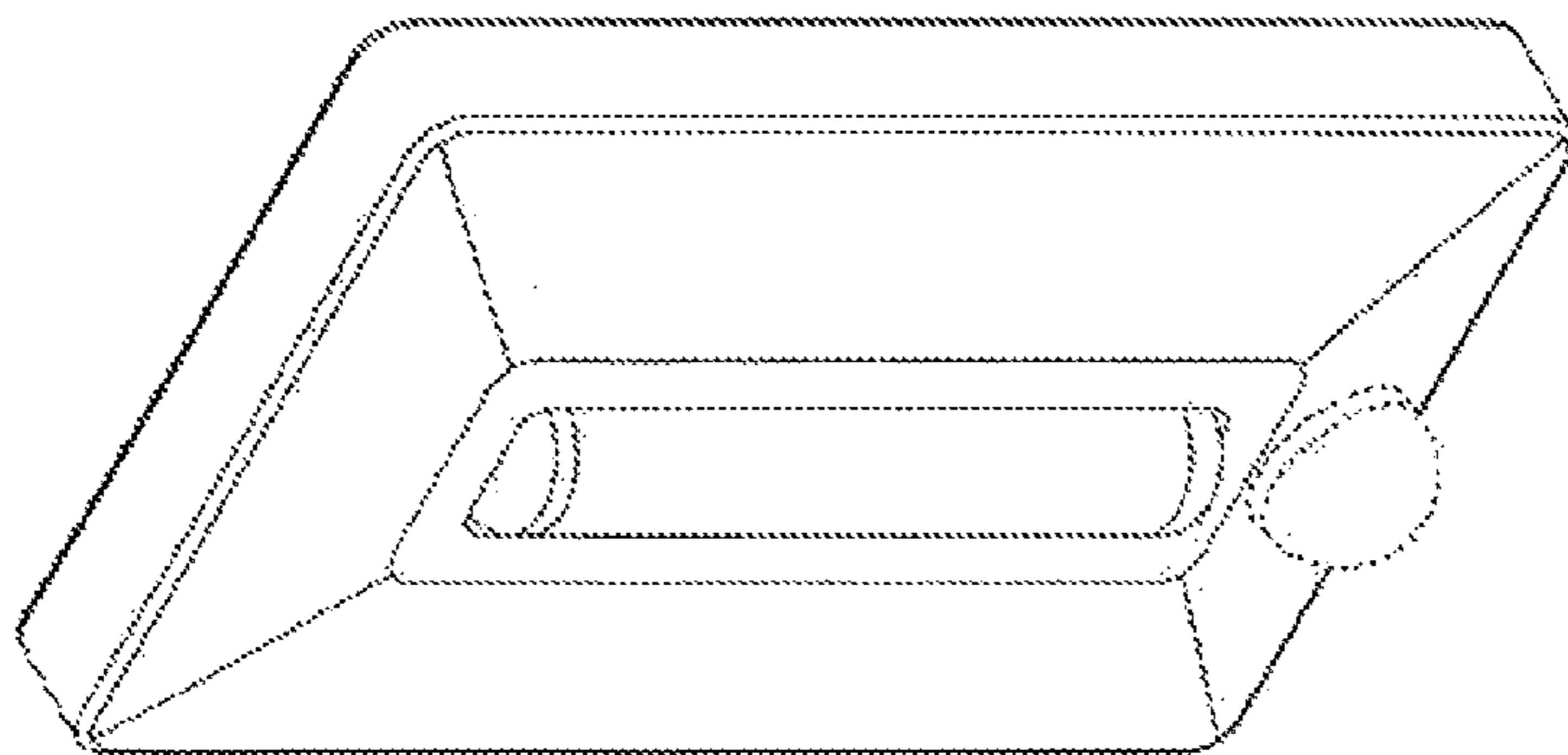


Figure 5

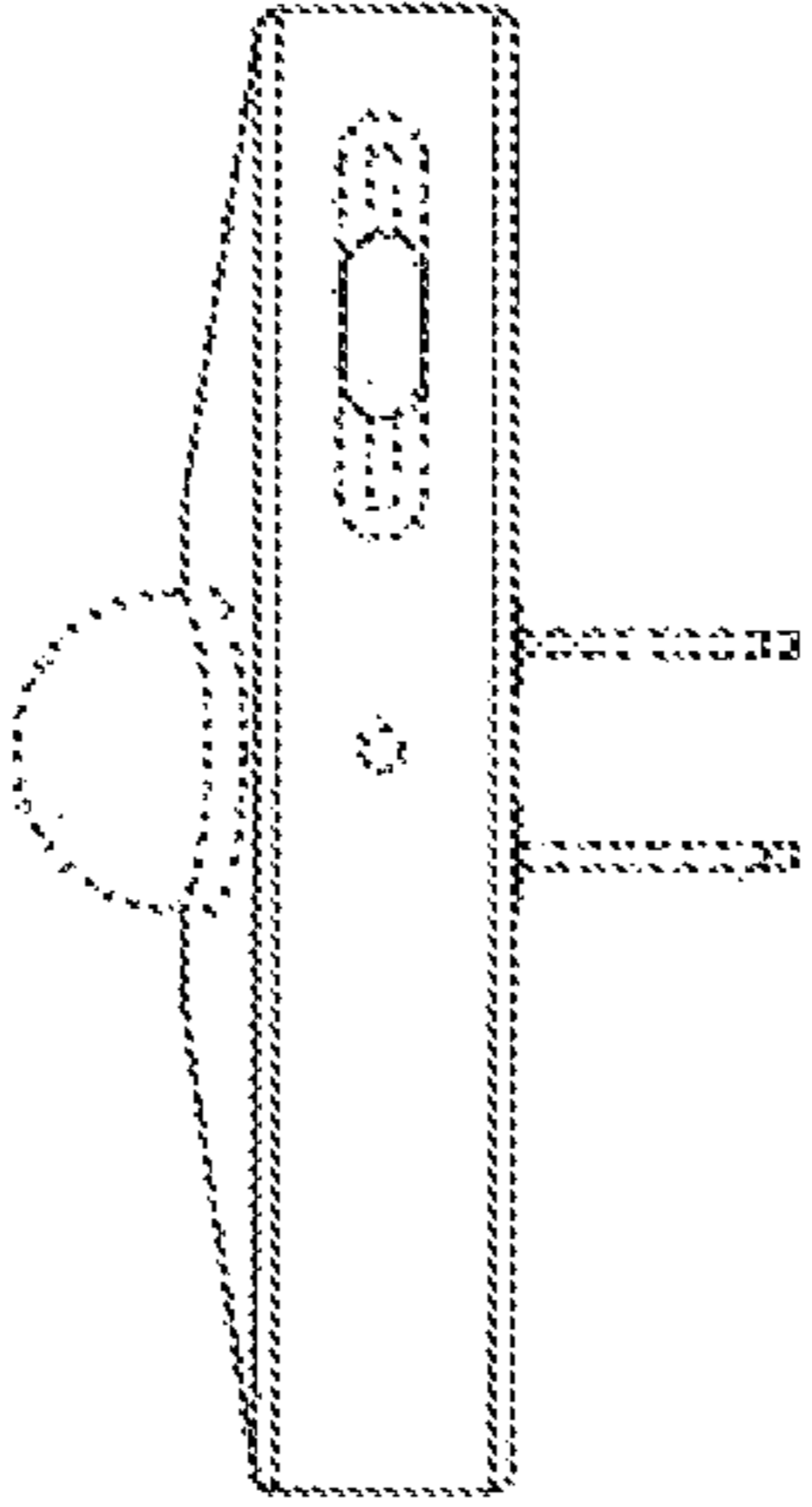


Figure 8

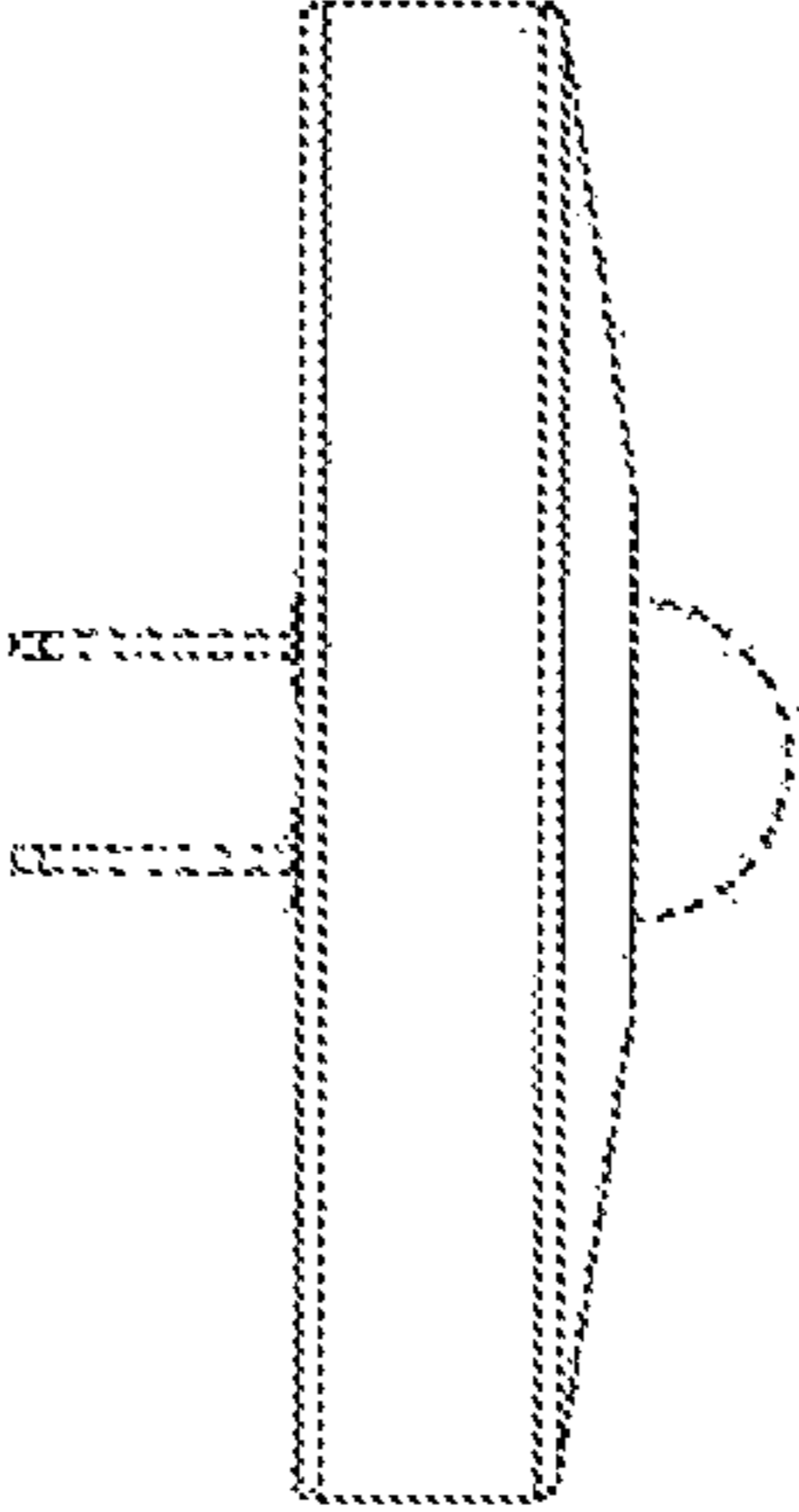


Figure 7