

US00D720090S

(12) **United States Design Patent**
Toomey et al.

(10) **Patent No.:** **US D720,090 S**
(45) **Date of Patent:** **** Dec. 23, 2014**

(54) **LIGHT**

(71) Applicants: **Eileen Toomey**, Saddle River, NJ (US);
Sunita S. Tailor, Parsippany, NJ (US)

(72) Inventors: **Eileen Toomey**, Saddle River, NJ (US);
Sunita S. Tailor, Parsippany, NJ (US)

(73) Assignee: **American Tack & Hardware Co., Inc.**,
Saddle River, NJ (US)

(**) Term: **14 Years**

(21) Appl. No.: **29/443,048**

(22) Filed: **Jan. 11, 2013**

(51) **LOC (10) Cl.** **26-03**

(52) **U.S. Cl.**
USPC **D26/24**

(58) **Field of Classification Search**
CPC F21V 9/16; F21V 7/09; F21V 21/30;
F21L 4/00; F21L 7/00; F21L 15/06; F21S
8/08
USPC D26/1, 24, 51, 72, 104, 85; 362/84,
362/97.2, 157, 186, 257, 310, 362, 372
See application file for complete search history.

(56) **References Cited**

U.S. PATENT DOCUMENTS

7,562,995 B1 *	7/2009	Levine	362/372
D607,600 S *	1/2010	Keith	D26/85
D647,227 S *	10/2011	Kaule et al.	D26/24
D658,317 S *	4/2012	Eberle	D26/24
D701,333 S *	3/2014	Wen	D26/24

* cited by examiner

Primary Examiner — Brian N Vinson

(74) *Attorney, Agent, or Firm* — Hedman & Costigan, P.C.;
James V. Costigan; Kathleen A. Costigan

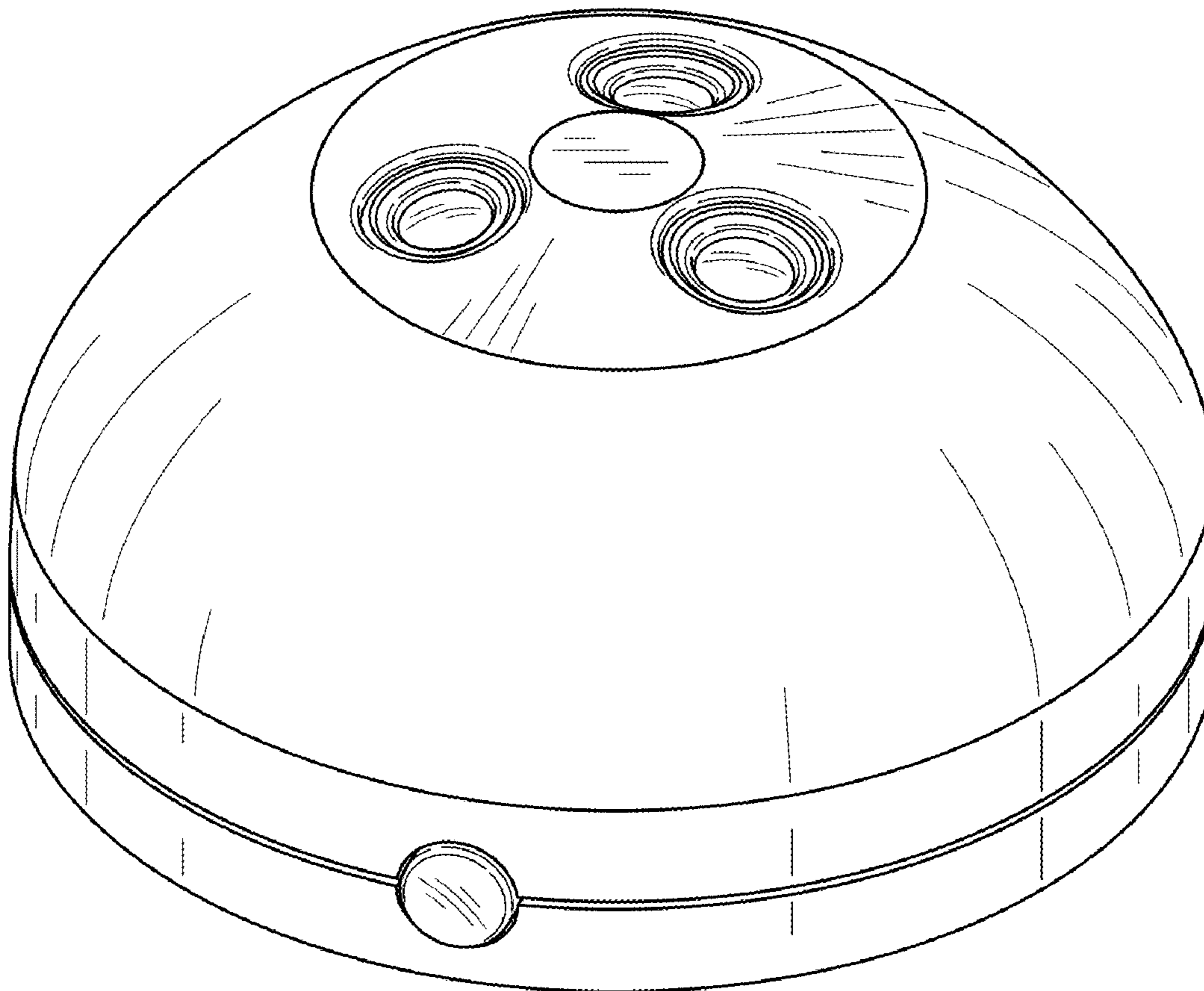
(57) **CLAIM**

The ornamental design for a light, as shown and described.

DESCRIPTION

FIG. 1 is a front, top perspective view of the light;
FIG. 2 is a front view thereof;
FIG. 3 is a rear view thereof;
FIG. 4 is a left side view thereof;
FIG. 5 is a right side view thereof;
FIG. 6 is a top view thereof; and,
FIG. 7 is a bottom view thereof.
The elements shown in broken lines in FIG. 7 are for purposes
of illustration and form no part of the claimed design.

1 Claim, 3 Drawing Sheets



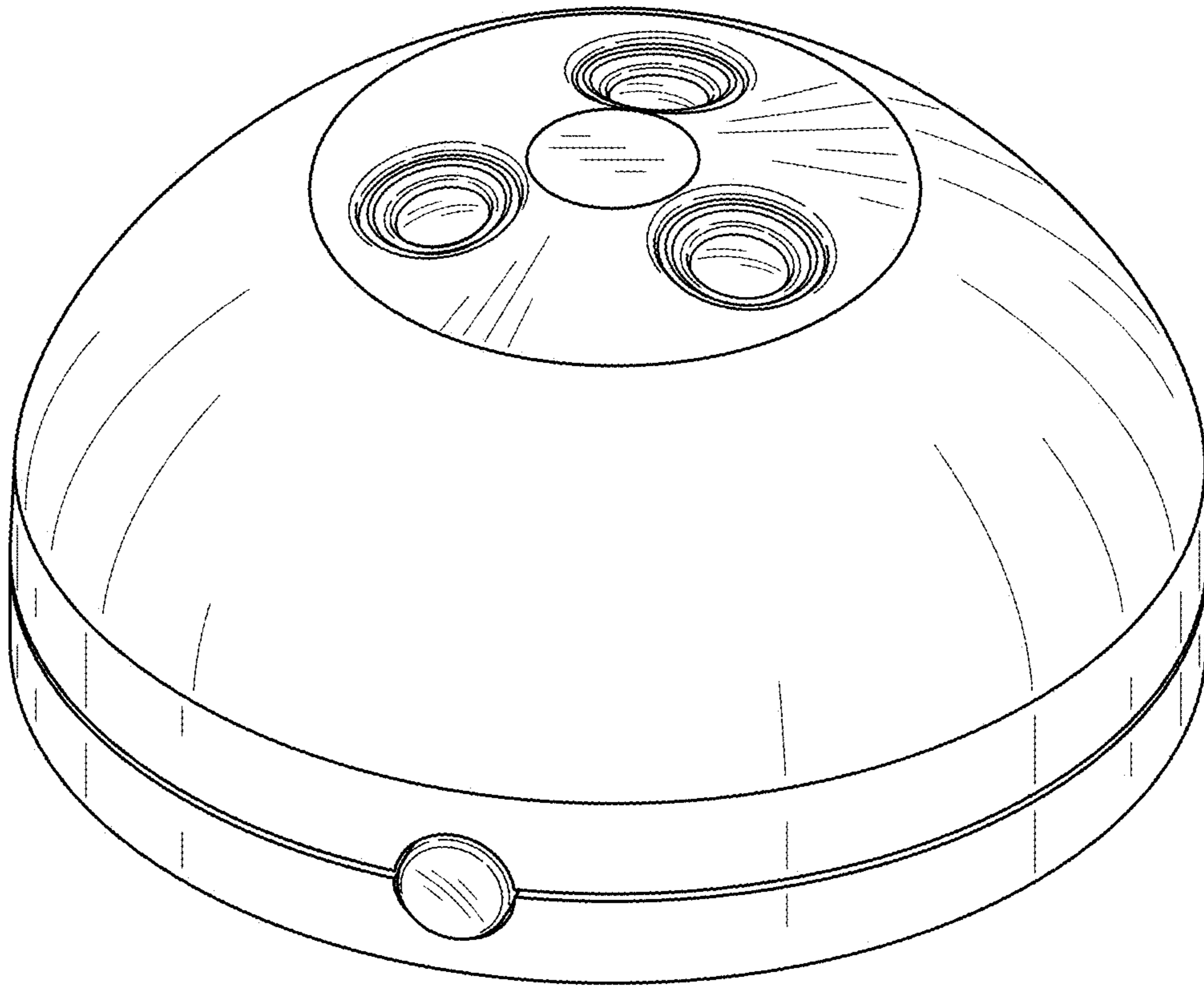


FIG. 1

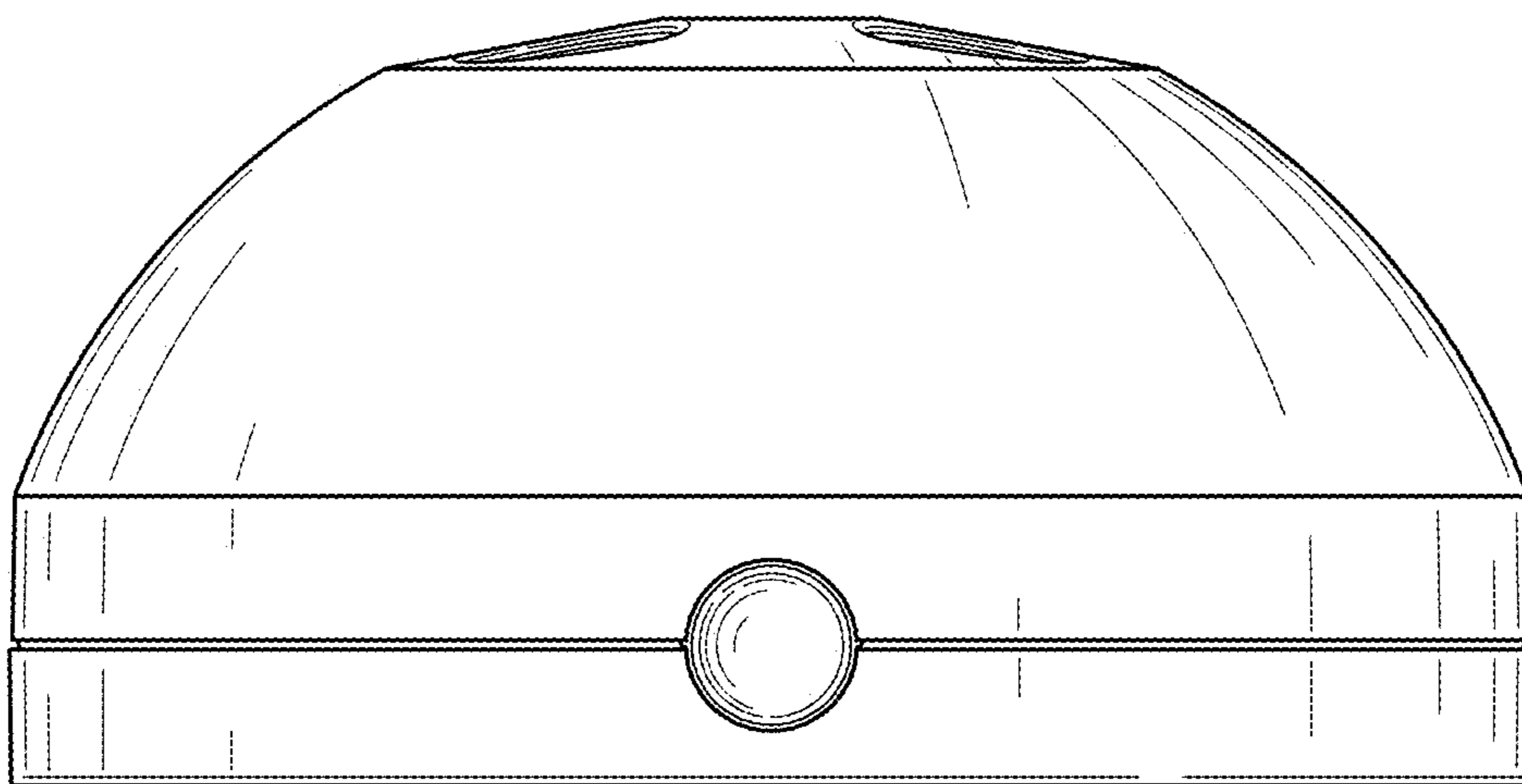


FIG. 2

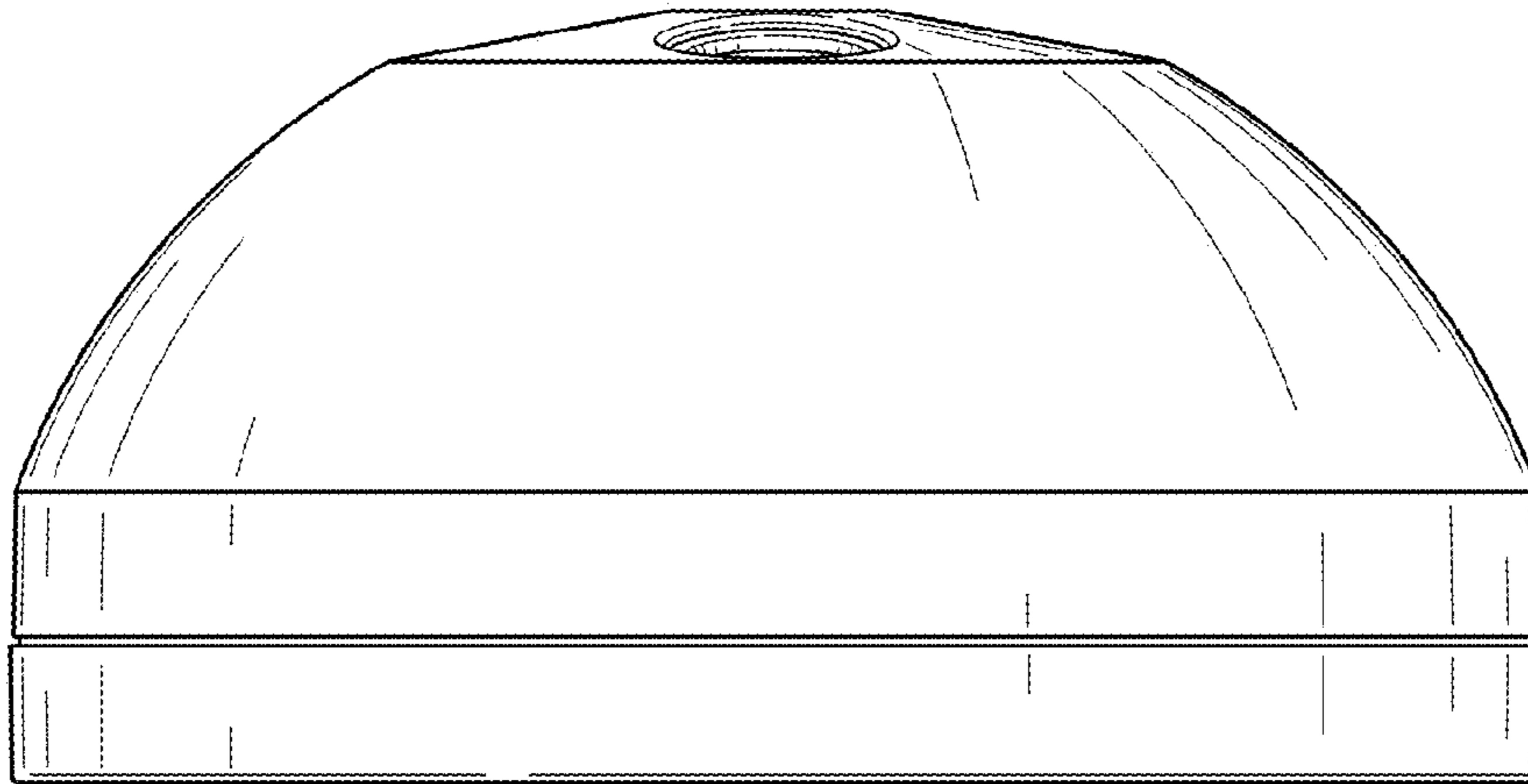


FIG. 3

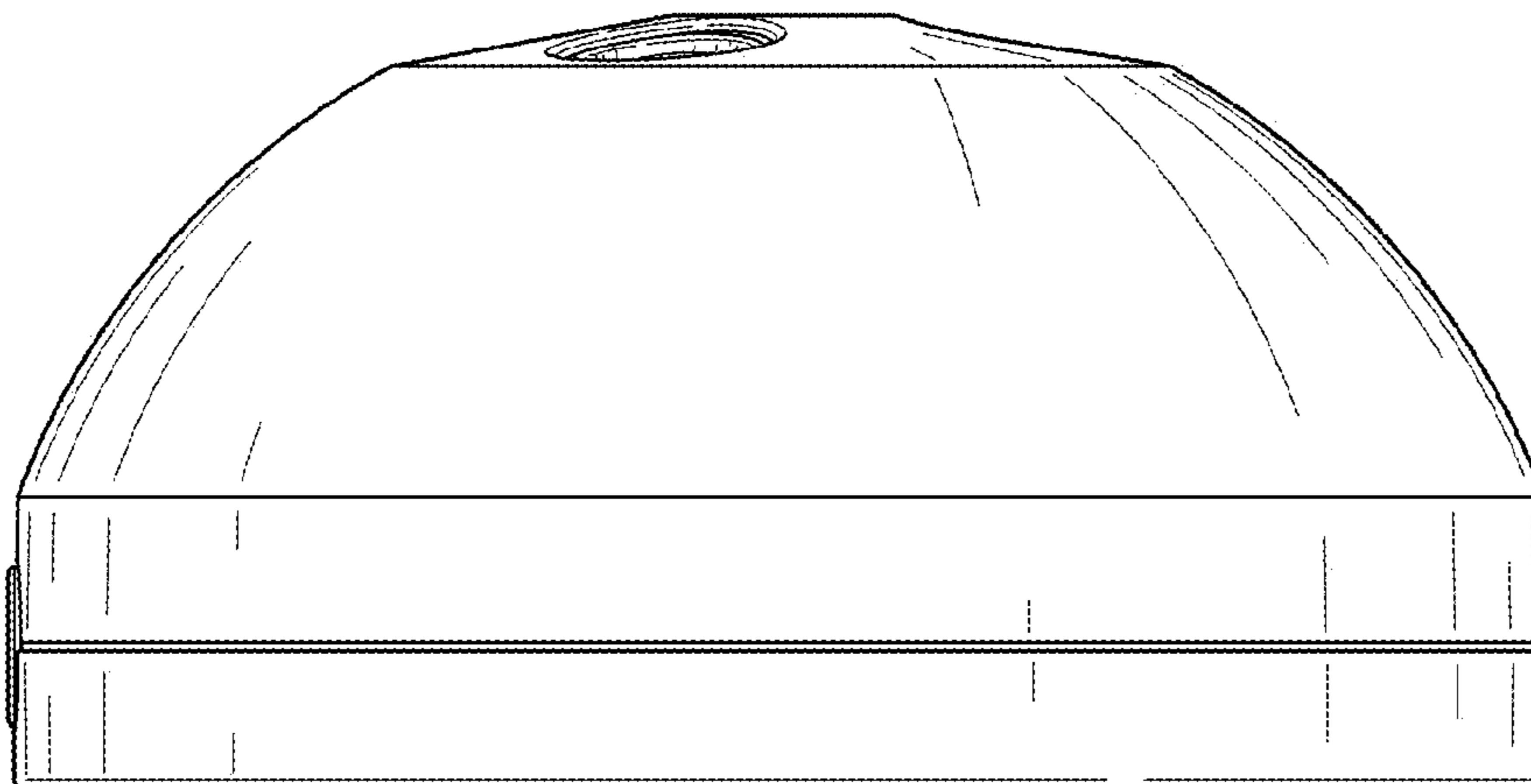


FIG. 4

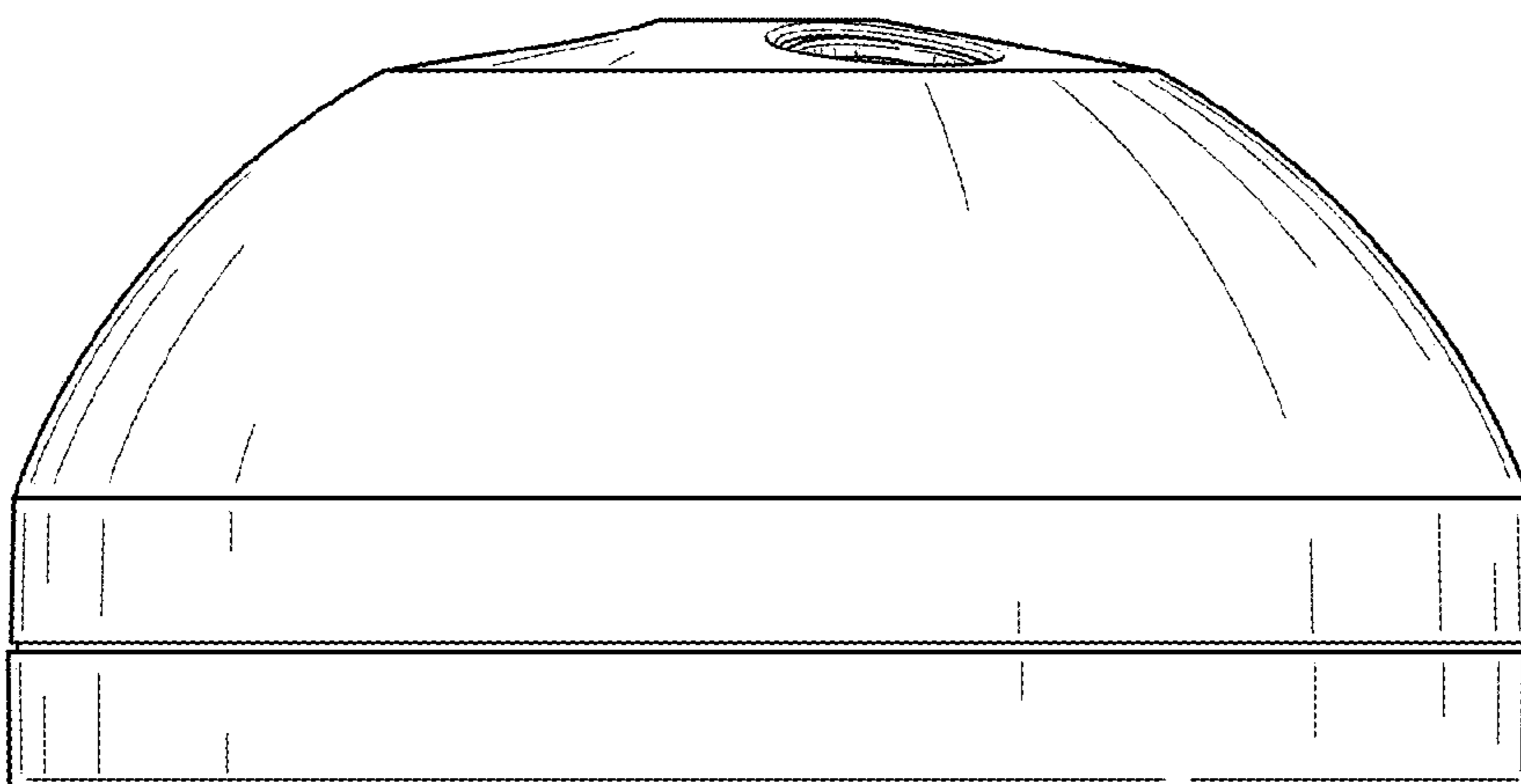


FIG. 5

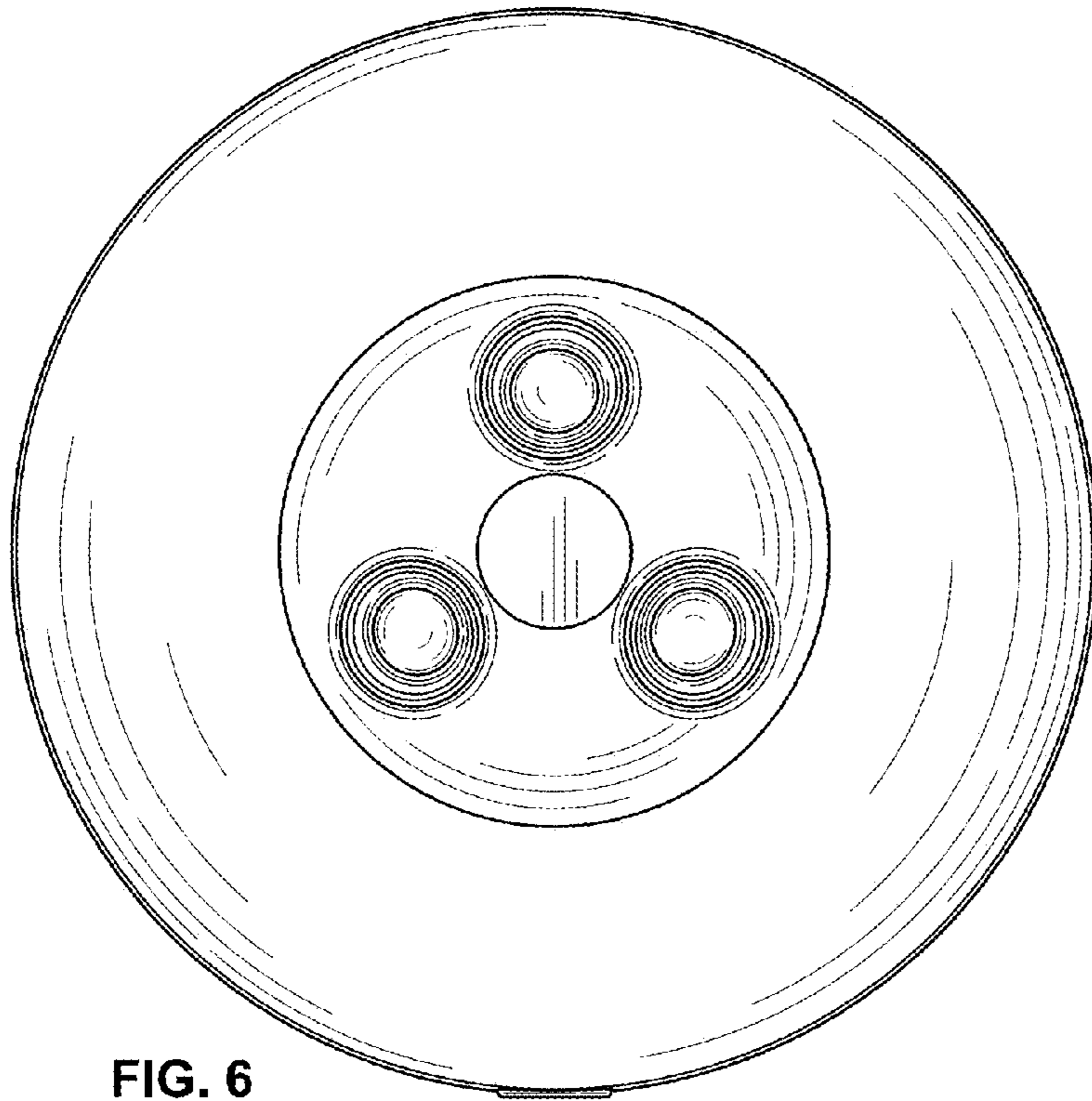


FIG. 6

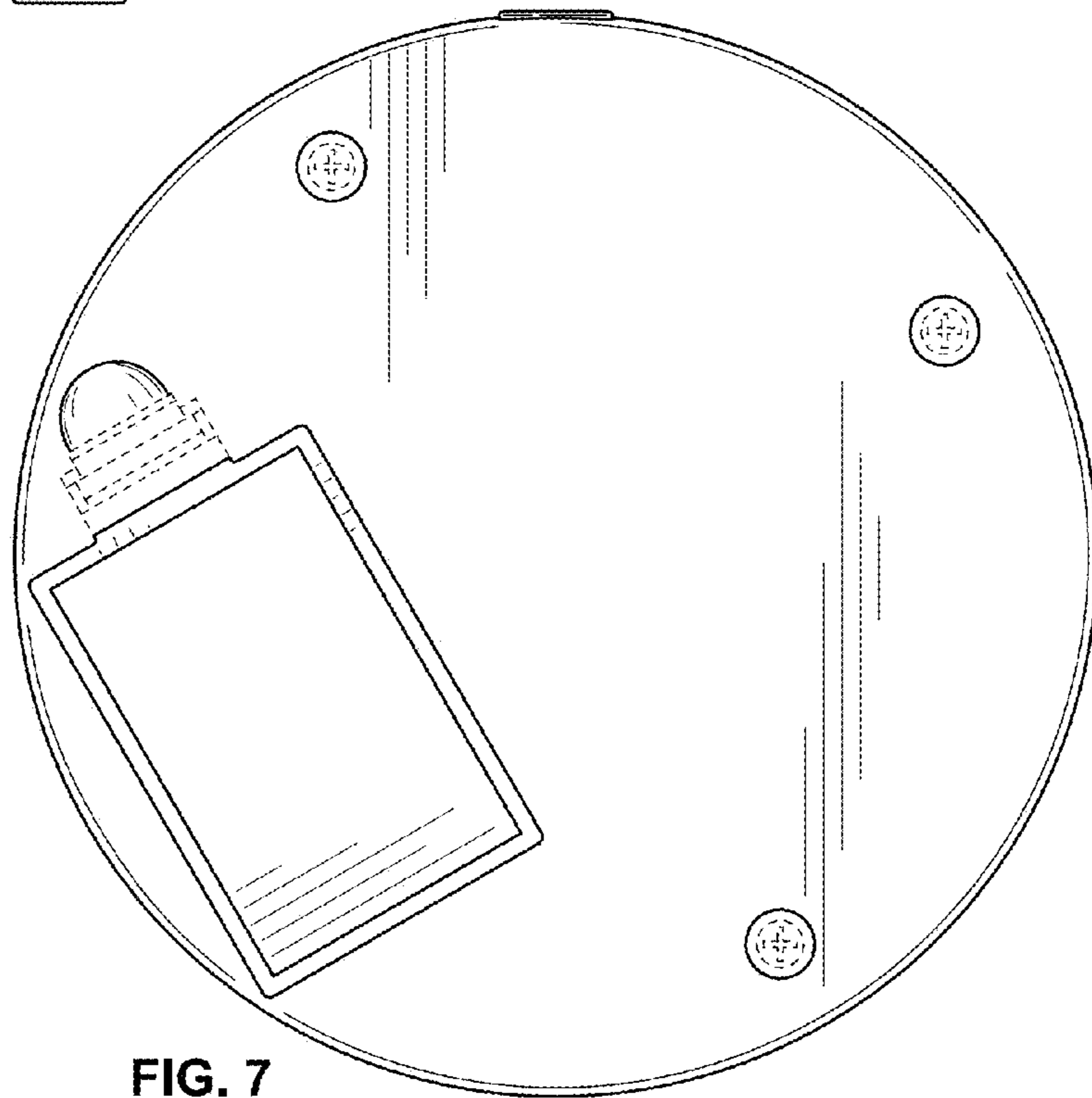


FIG. 7