



US00D720088S

(12) **United States Design Patent**  
**Mazzoni**

(10) **Patent No.:** **US D720,088 S**

(45) **Date of Patent:** **\*\* Dec. 23, 2014**

(54) **LIGHTING UNIT**

(71) Applicant: **Eco Elettrocomponenti S.R.L.**, Reggio Emilia (IT)

(72) Inventor: **Luigi Mazzoni**, Reggio Emilia (IT)

(73) Assignee: **Eco Elettrocomponenti S.R.L.**, Reggio Emilia (IT)

(\*\*) Term: **14 Years**

(21) Appl. No.: **29/438,755**

(22) Filed: **Dec. 3, 2012**

(30) **Foreign Application Priority Data**

Jun. 12, 2012 (EM) ..... 002056382

(51) **LOC (10) Cl.** ..... **26-04**

(52) **U.S. Cl.**  
USPC ..... **D26/2**

(58) **Field of Classification Search**  
USPC ..... D26/1-4; 313/313, 315, 316, 317, 318,  
313/493; 315/52, 53, 56, 57, 58  
See application file for complete search history.

(56) **References Cited**

**U.S. PATENT DOCUMENTS**

D532,532 S \* 11/2006 Maxik ..... D26/2  
D610,271 S \* 2/2010 Bi ..... D26/2

D616,120 S \* 5/2010 Wada et al. .... D26/2  
D617,918 S \* 6/2010 Yamamoto et al. .... D26/2  
D671,232 S \* 11/2012 Yoshinobu et al. .... D26/2  
D693,496 S \* 11/2013 Rioux et al. .... D26/2

\* cited by examiner

*Primary Examiner* — Marcus Jackson

(74) *Attorney, Agent, or Firm* — Pearne & Gordon LLP

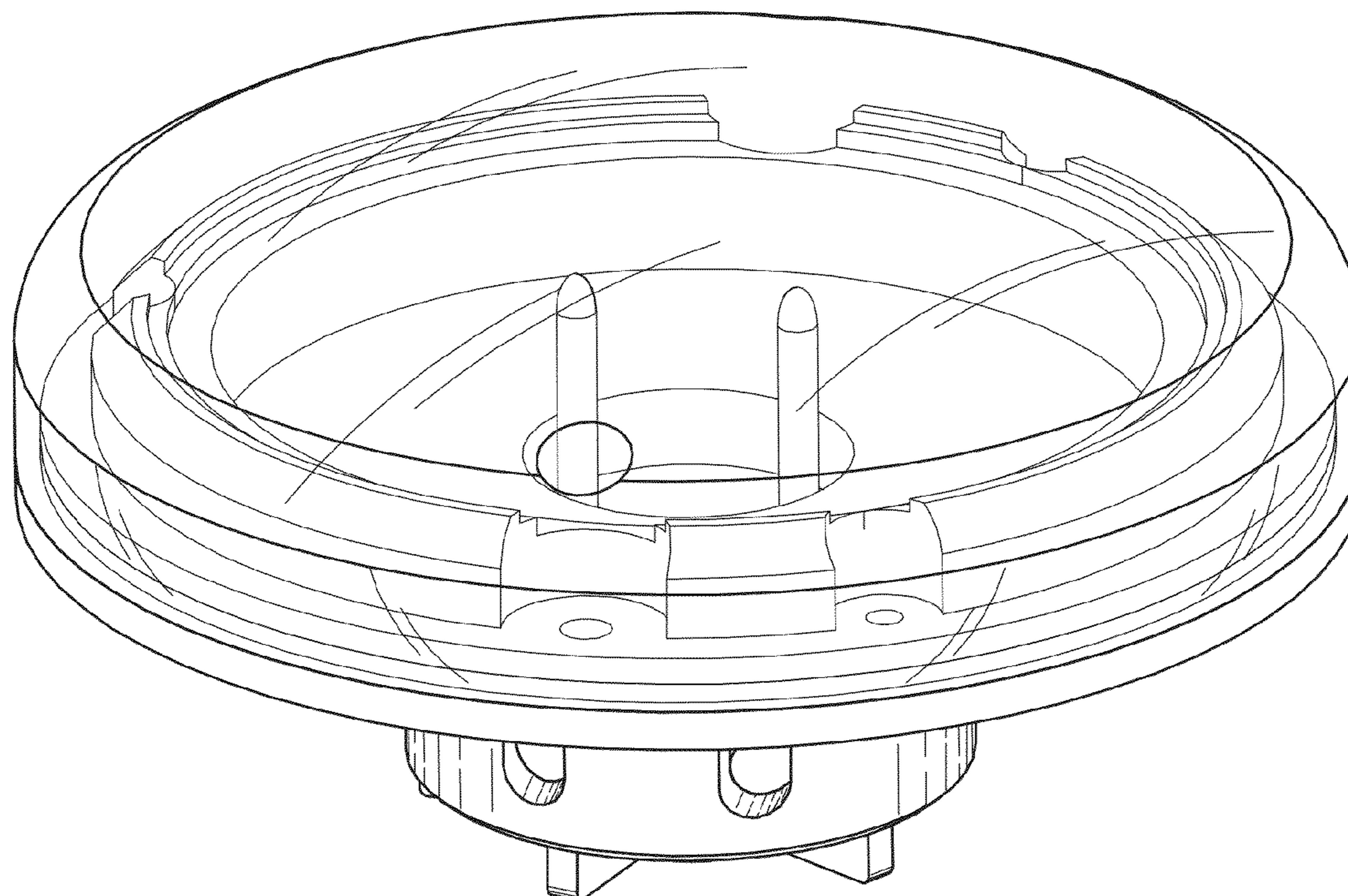
(57) **CLAIM**

The ornamental design for a lighting unit, as shown and described.

**DESCRIPTION**

FIG. 1 is a top-front perspective view of a first embodiment of a lighting unit, showing my new design;  
FIG. 2 is a front elevational view thereof;  
FIG. 3 is a left side elevational view thereof;  
FIG. 4 is a back elevational view thereof;  
FIG. 5 is a right side elevational view thereof;  
FIG. 6 is a top plan view thereof;  
FIG. 7 is a bottom plan view thereof;  
FIG. 8 is a top-front perspective view of a second embodiment of a lighting unit according to the invention;  
FIG. 9 is a front elevational view thereof;  
FIG. 10 is a left side elevational view thereof;  
FIG. 11 is a back elevational view thereof;  
FIG. 12 is a right side elevational view thereof;  
FIG. 13 is a top plan view thereof; and,  
FIG. 14 is a bottom plan view thereof.

**1 Claim, 14 Drawing Sheets**



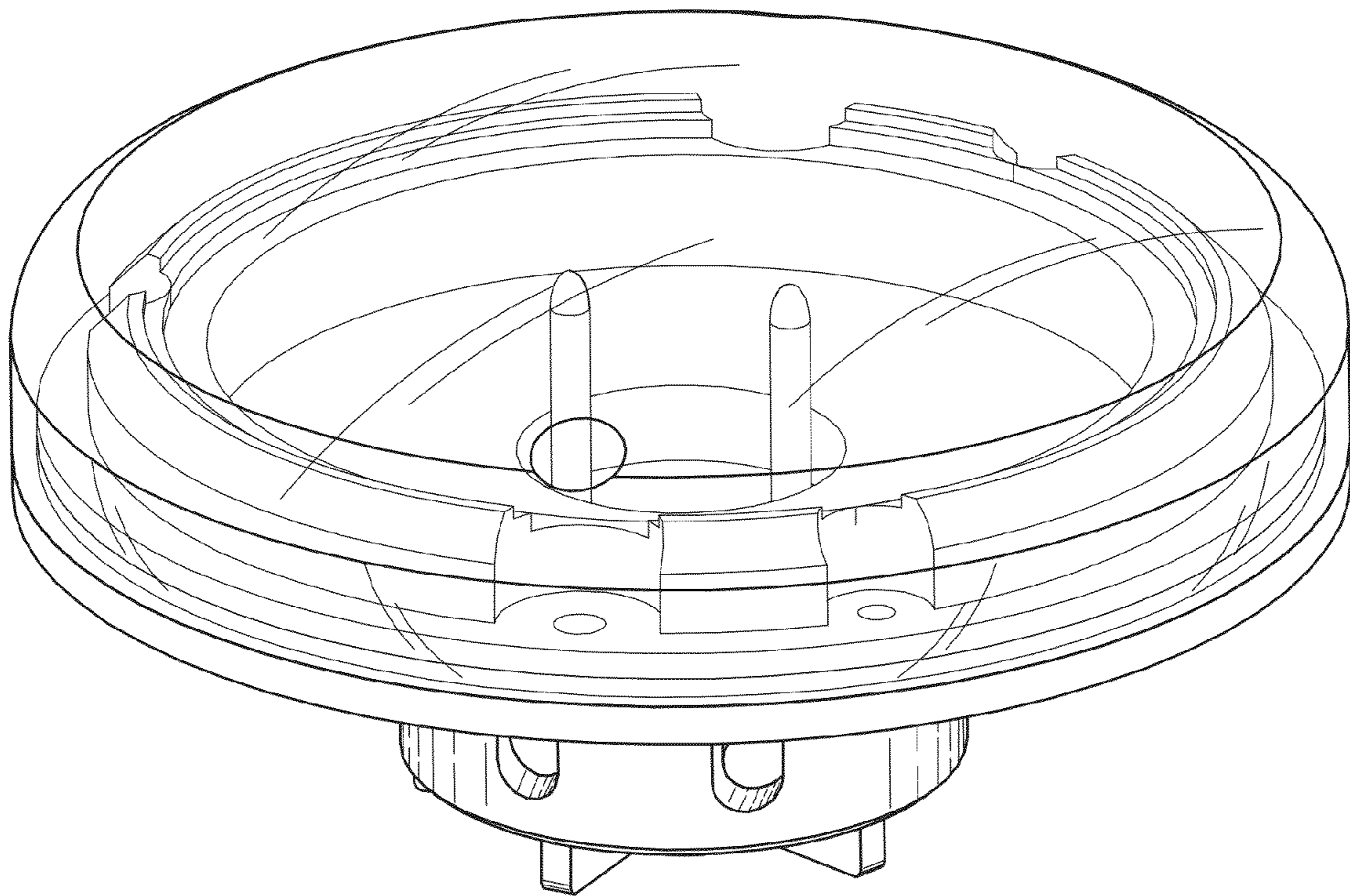


FIG. 1

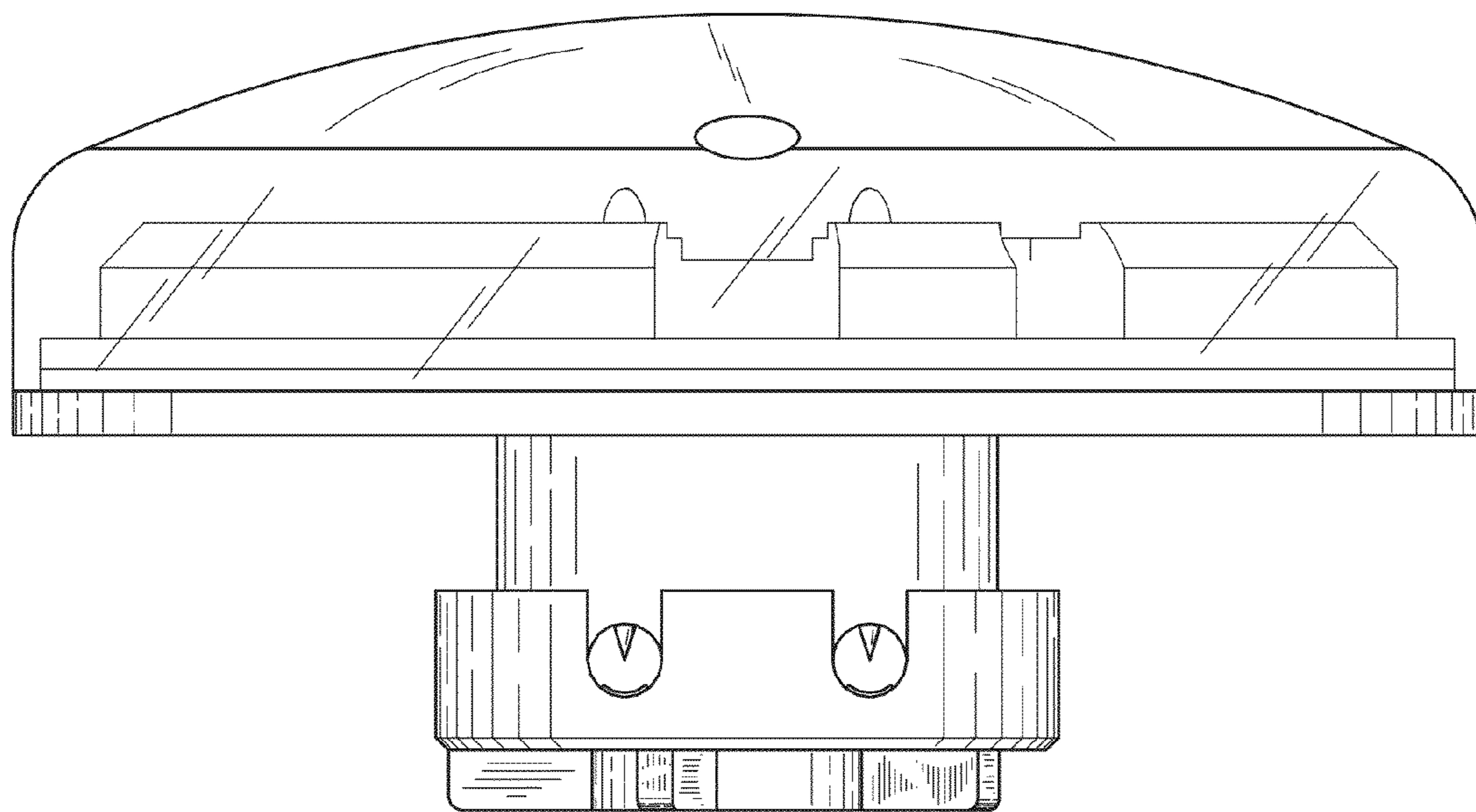


FIG. 2

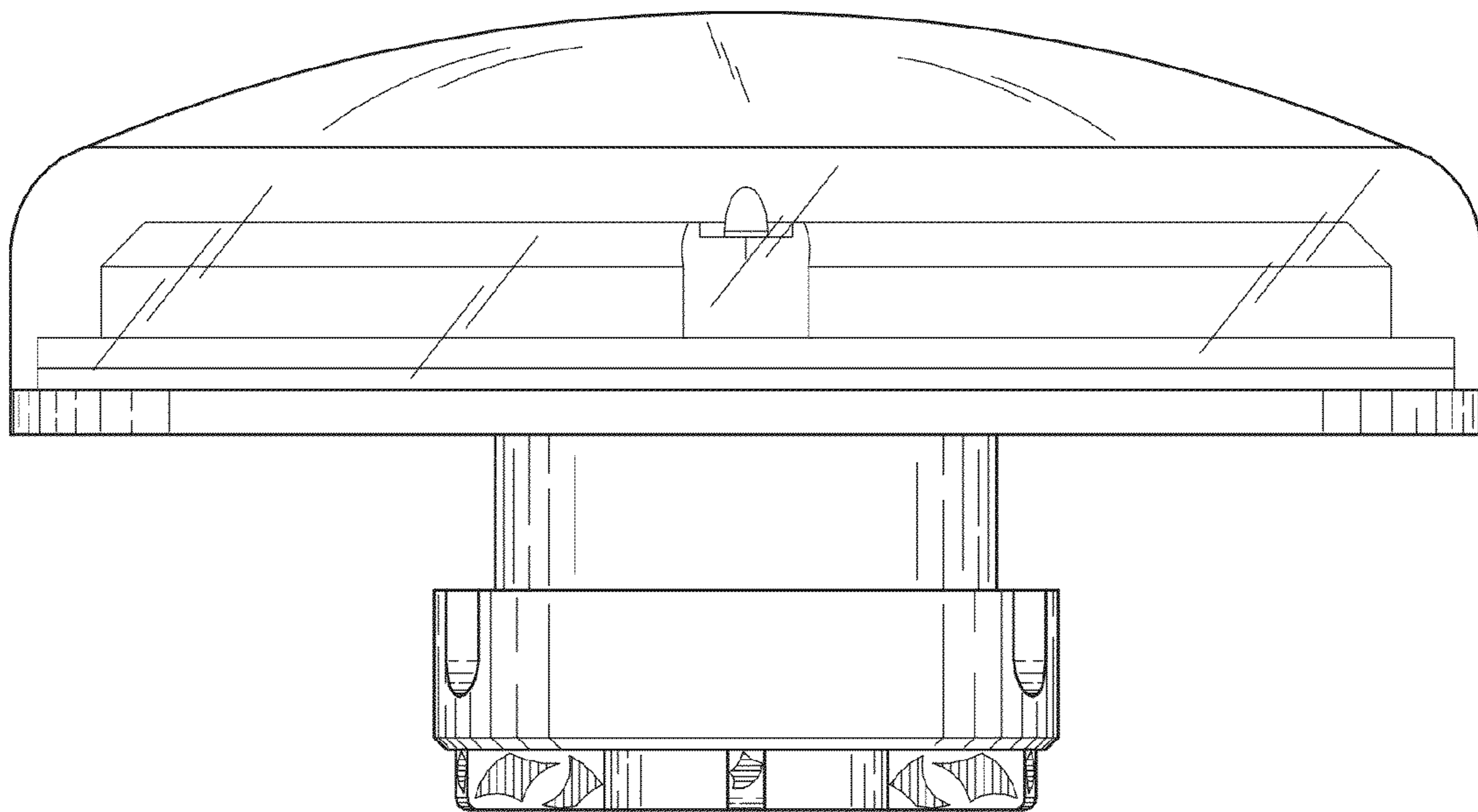


FIG. 3

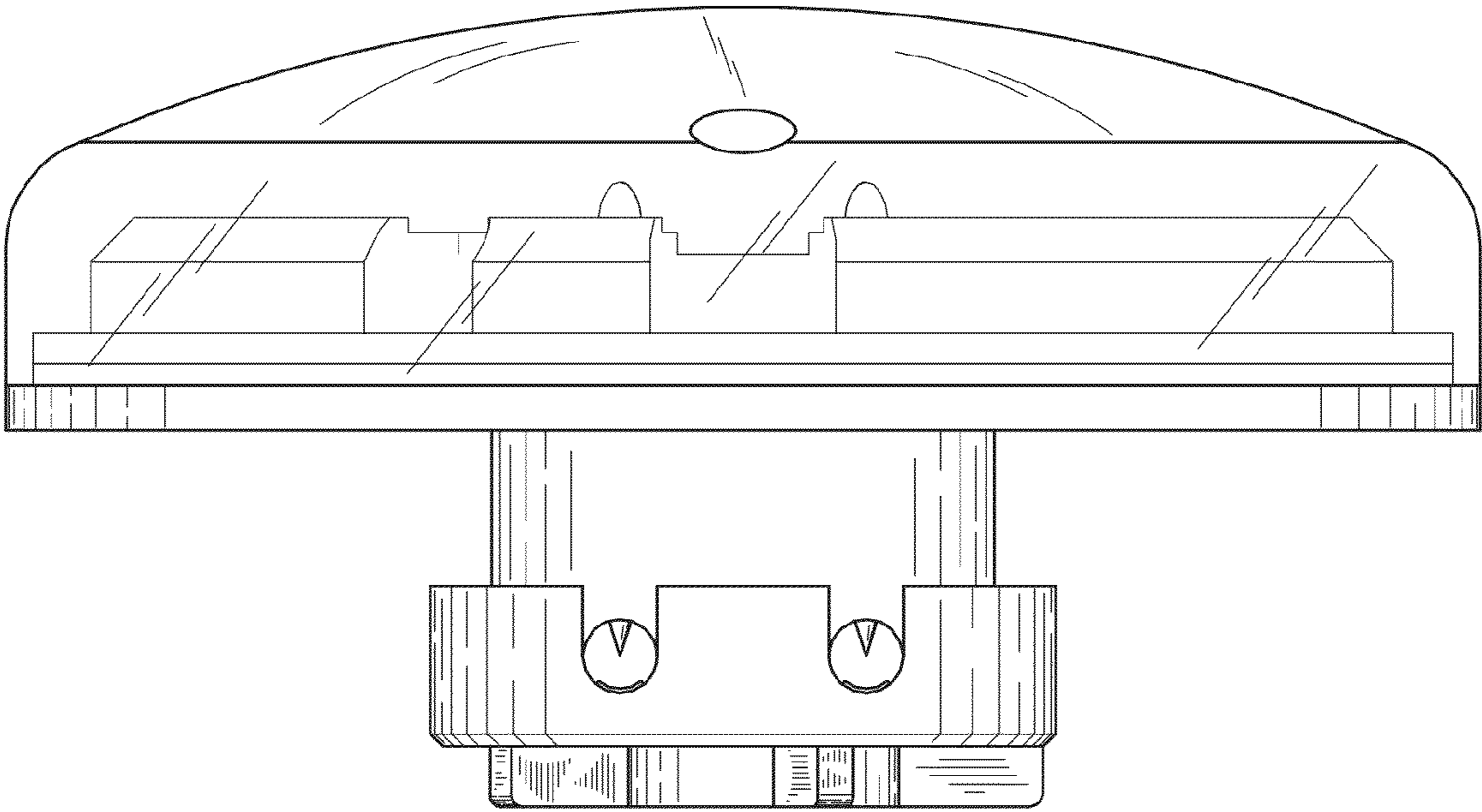


FIG. 4

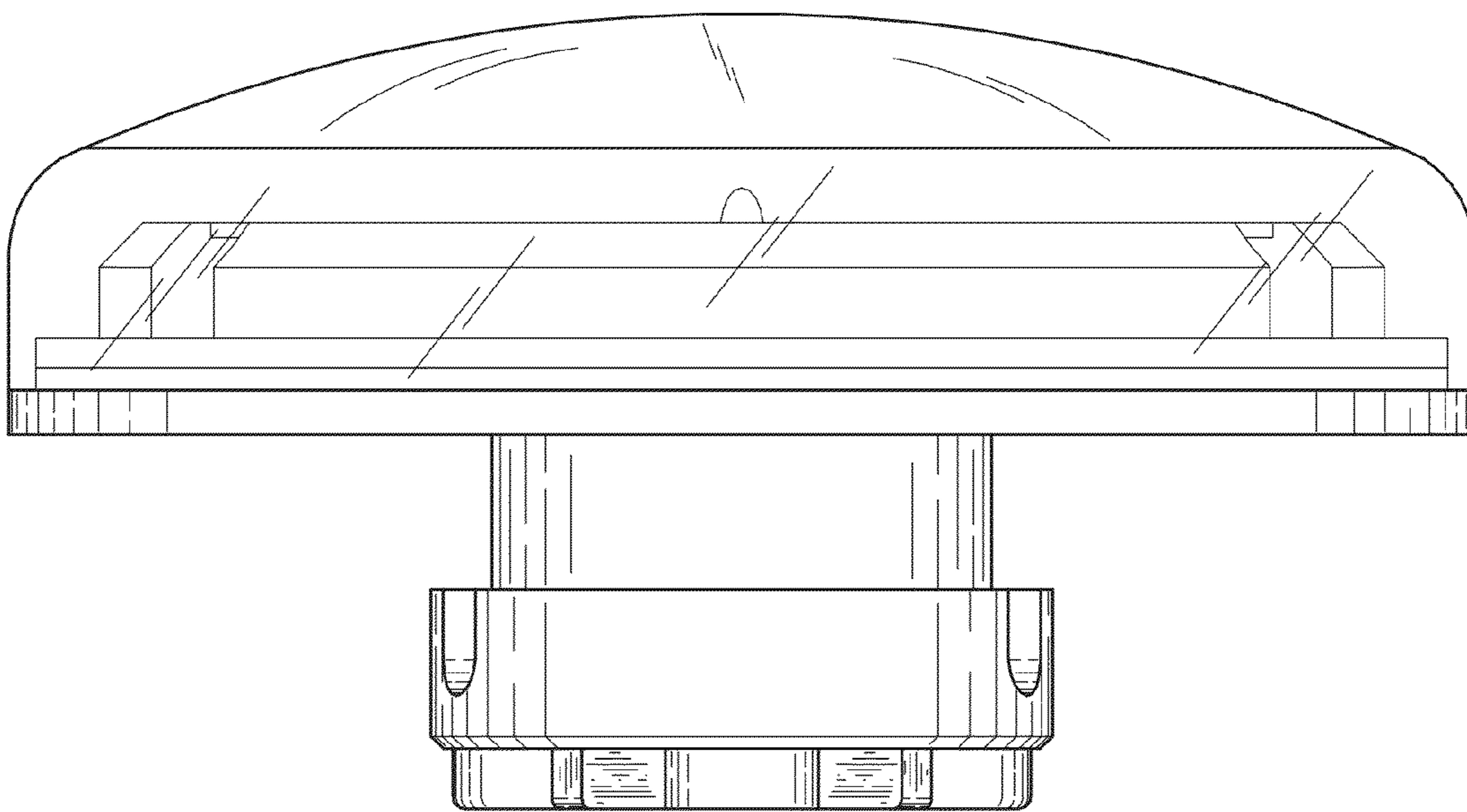


FIG. 5

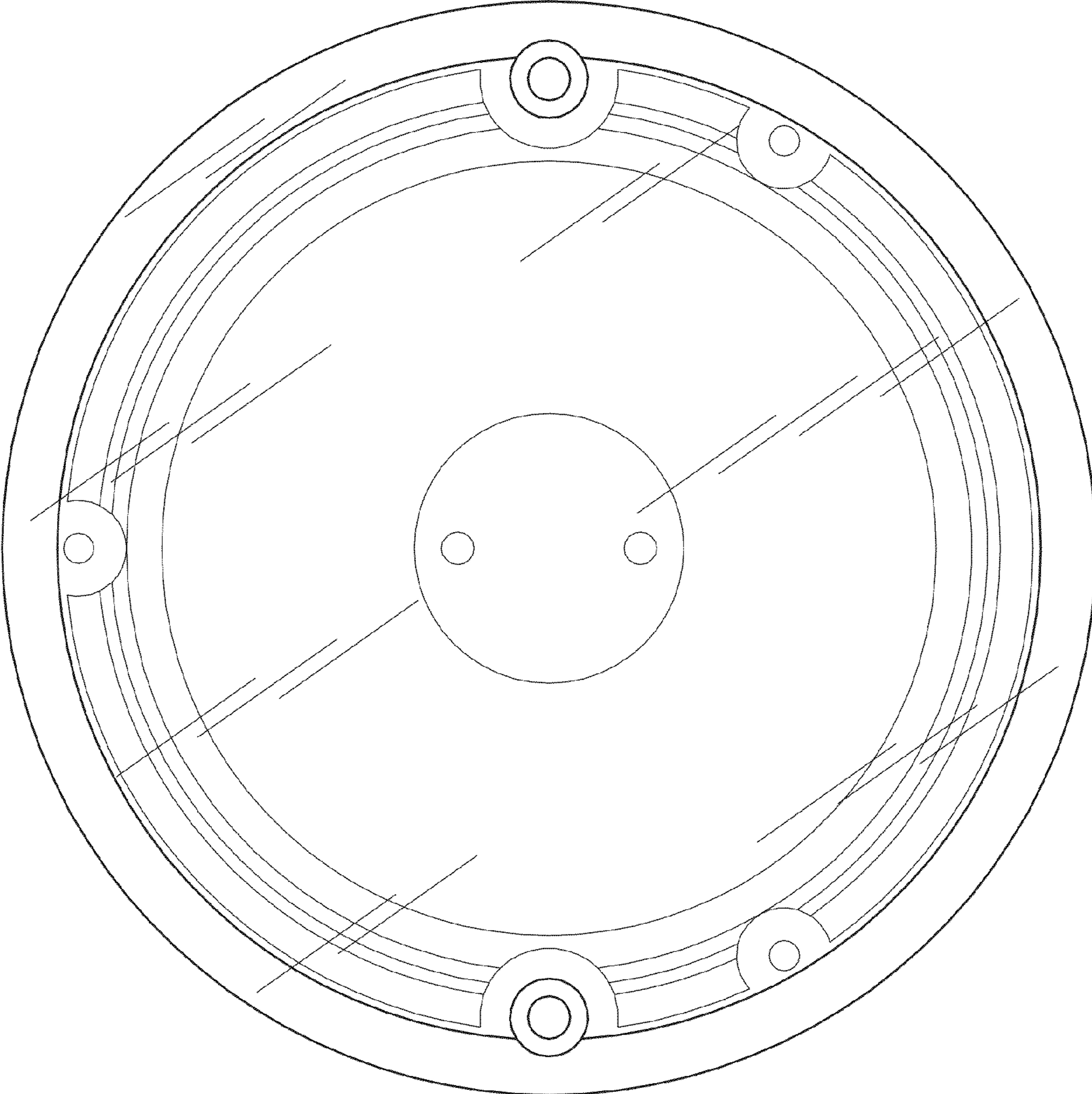


FIG. 6

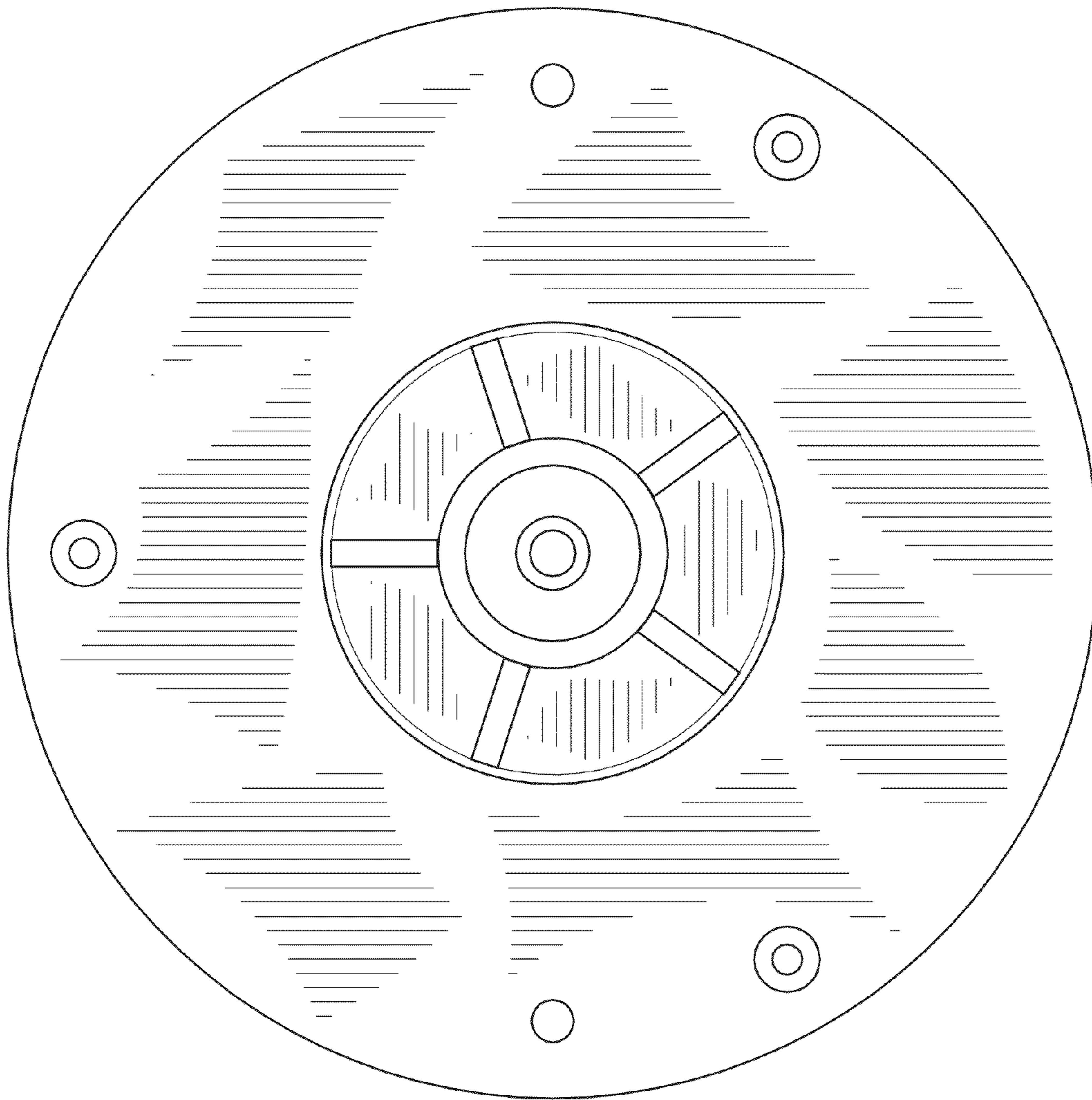


FIG. 7



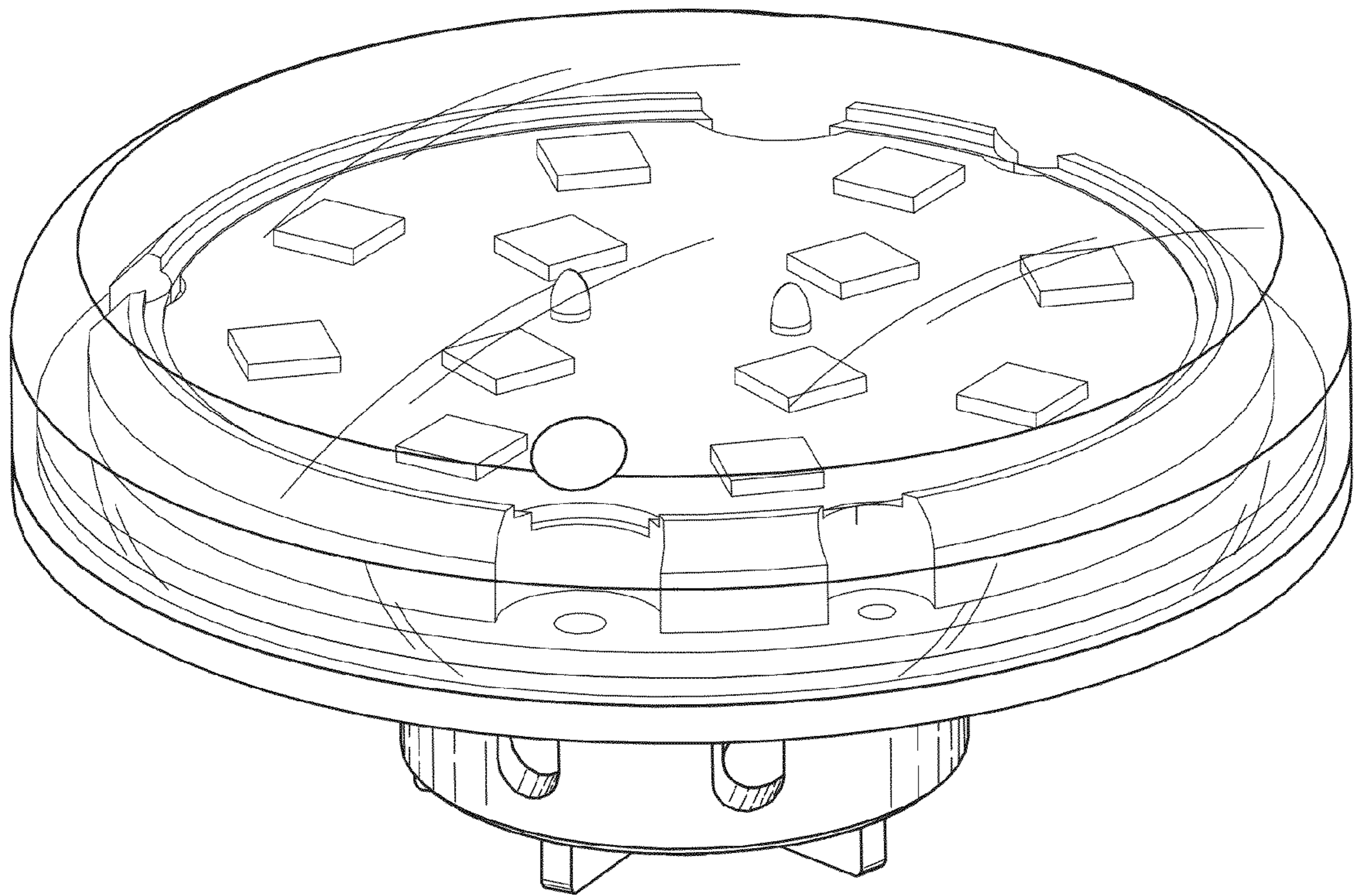


FIG. 8

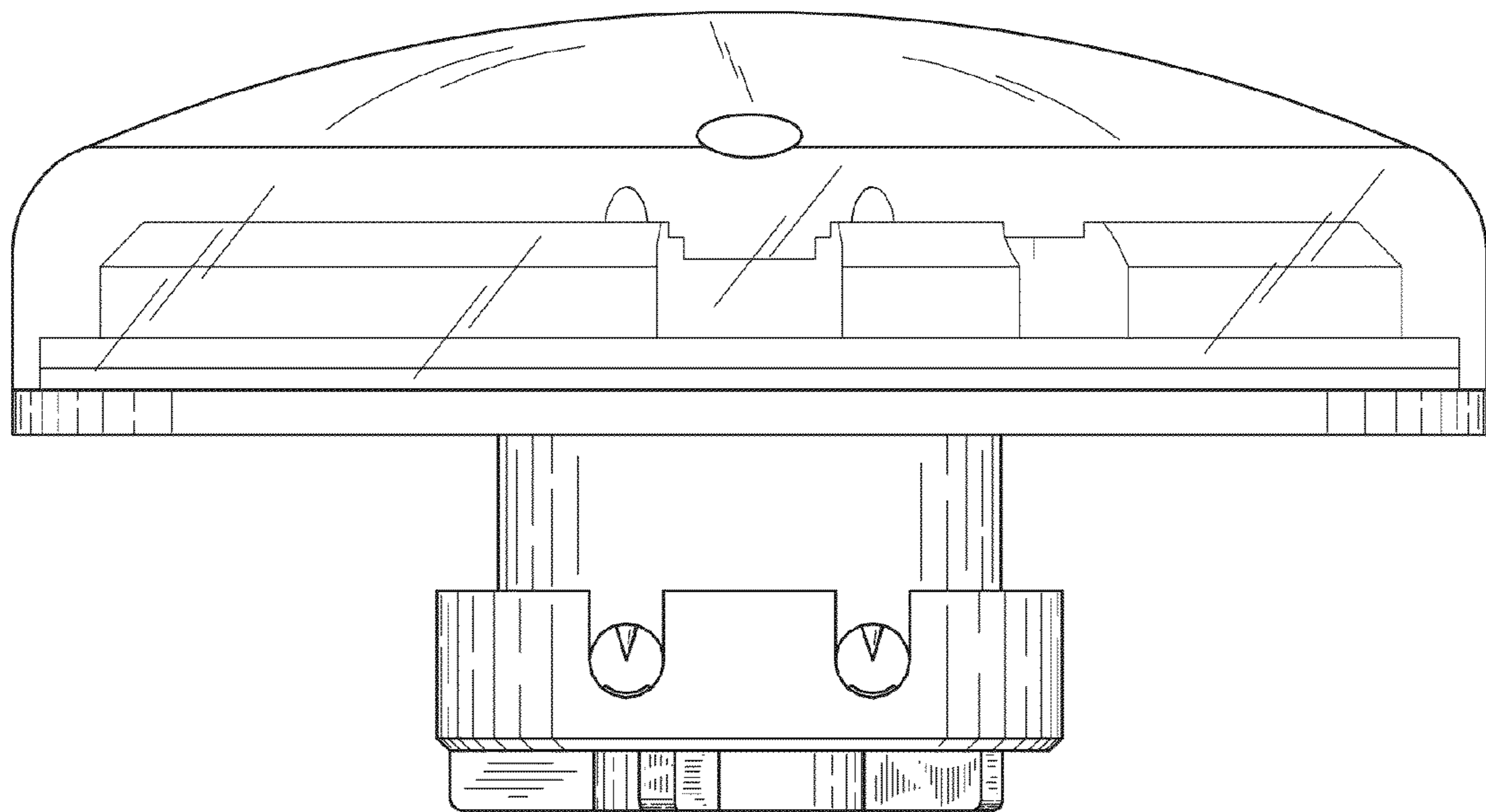


FIG. 9

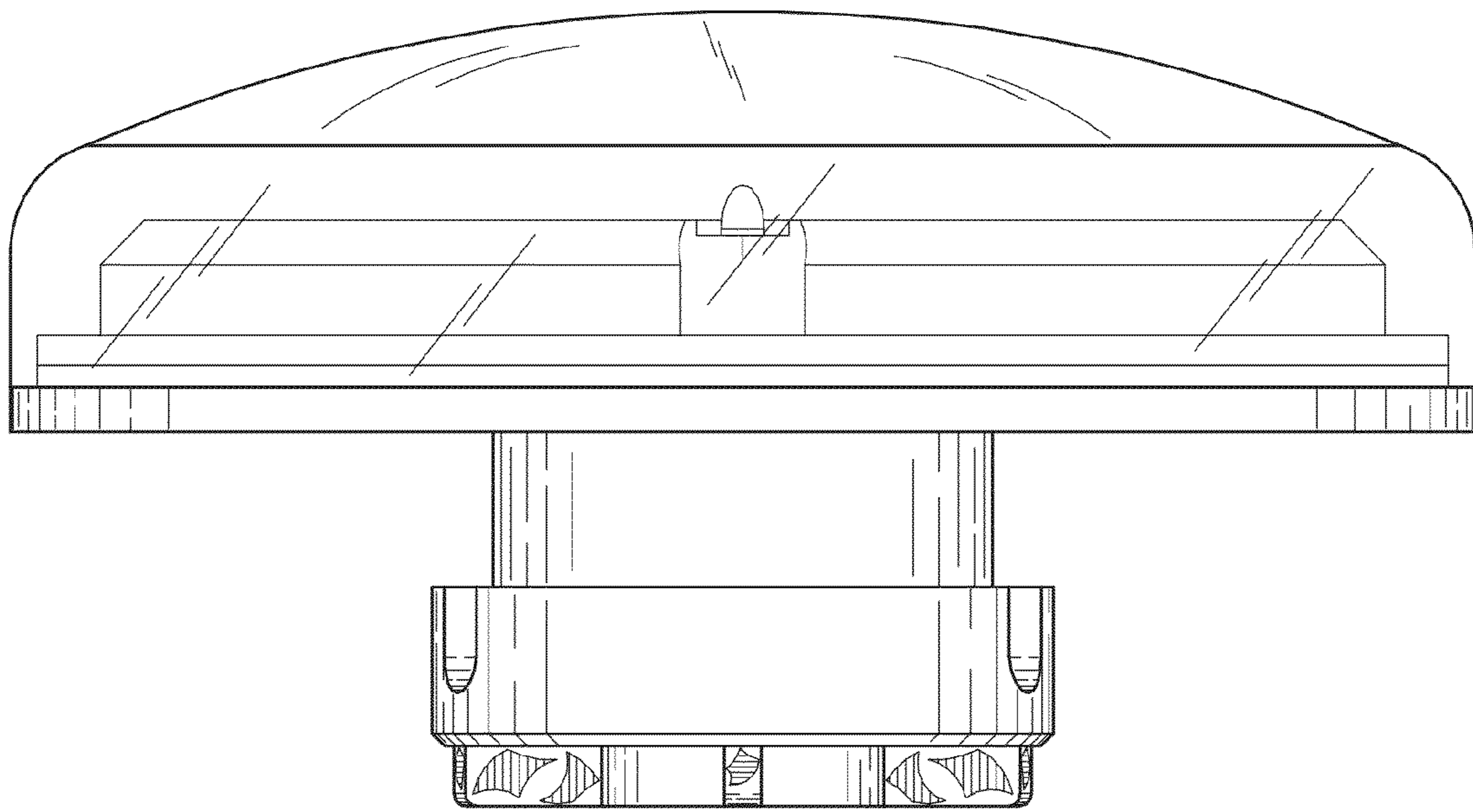


FIG. 10

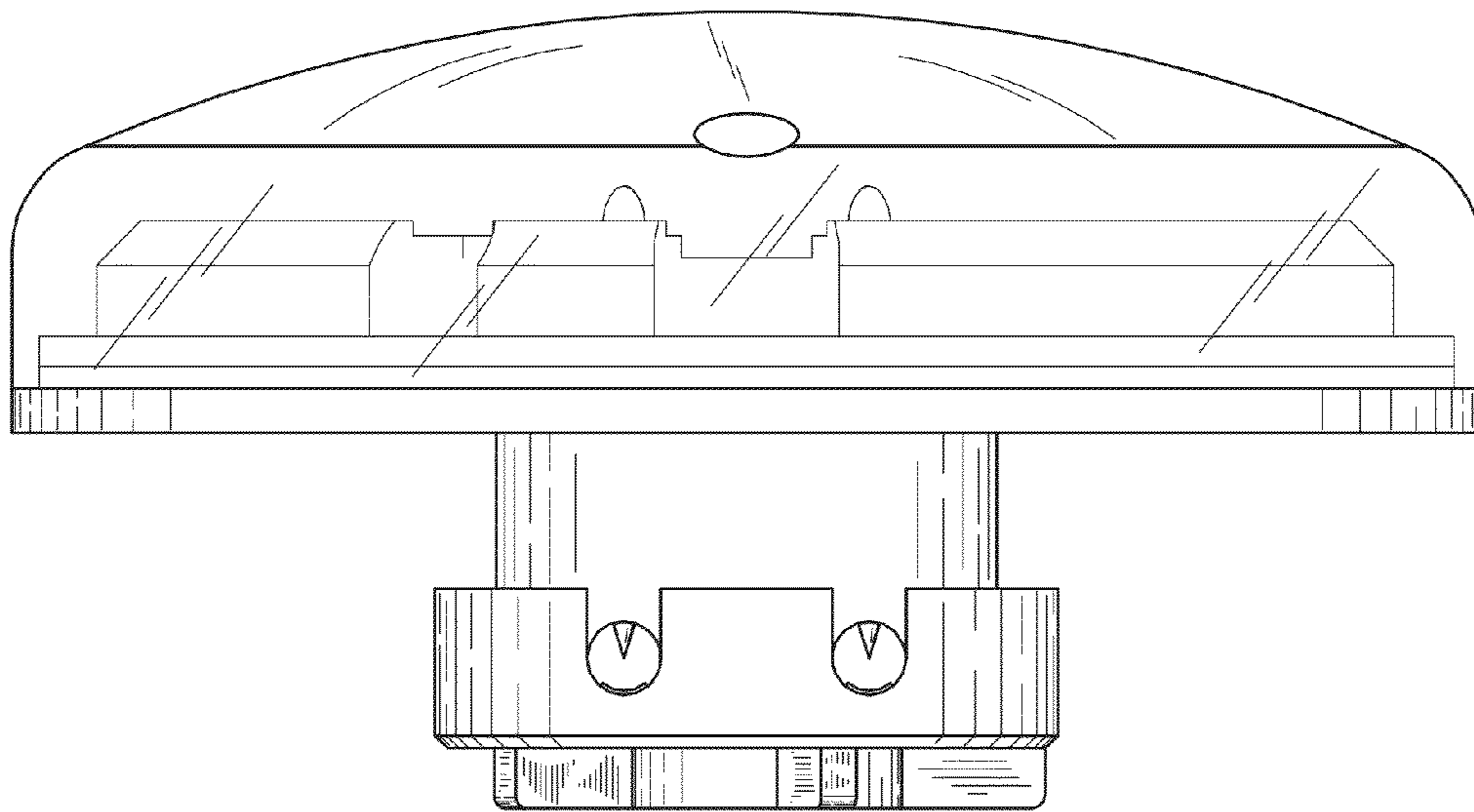


FIG. 11

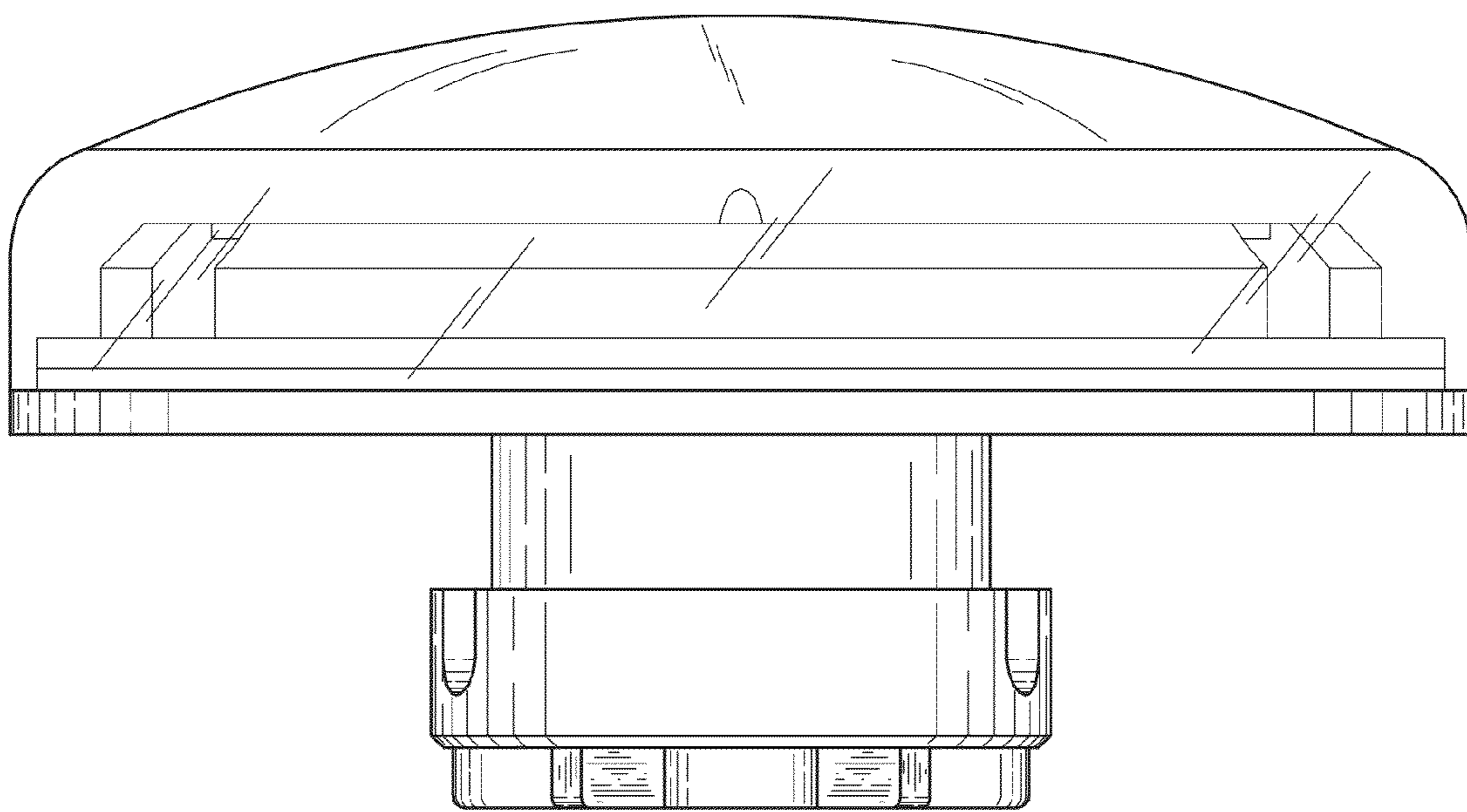


FIG. 12

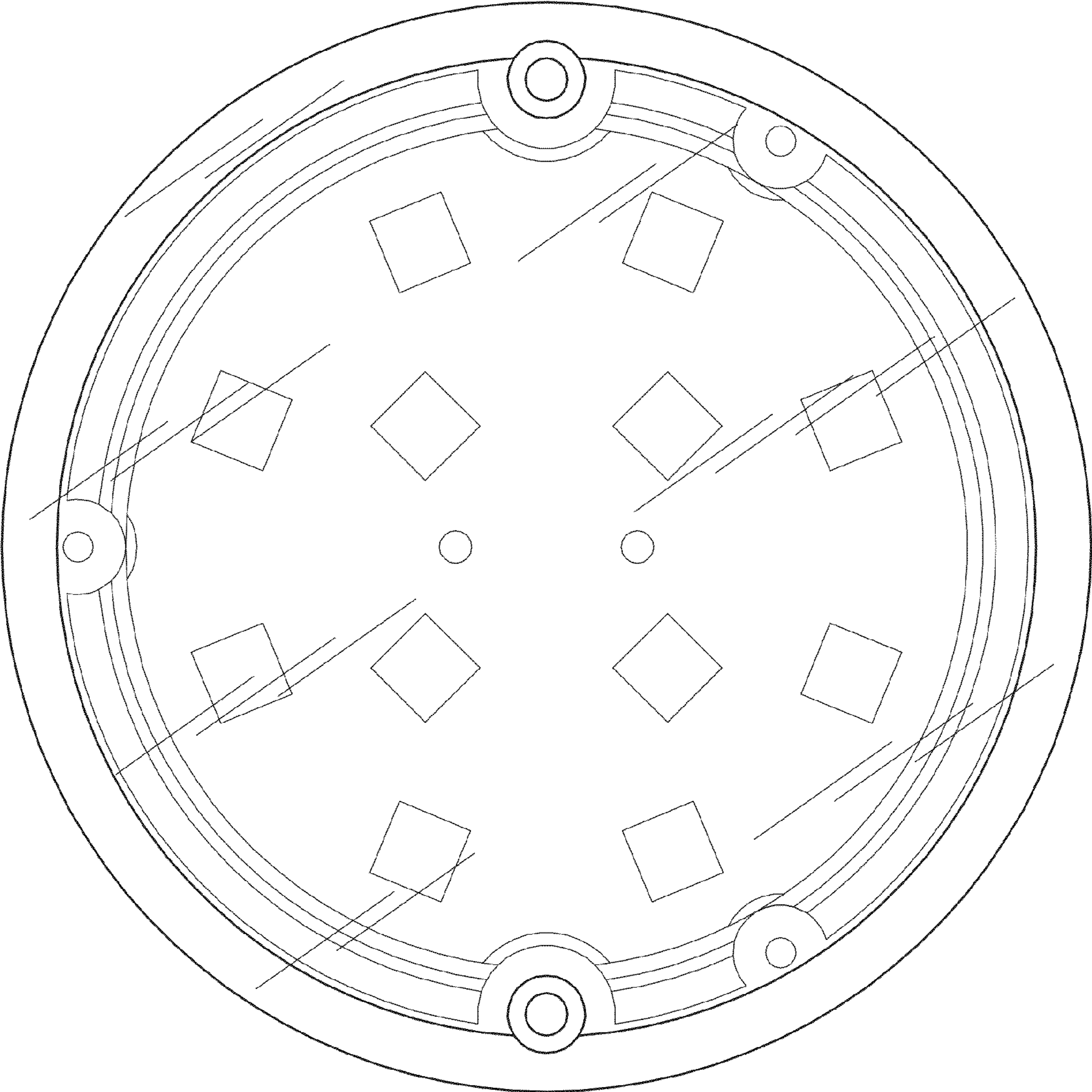


FIG. 13

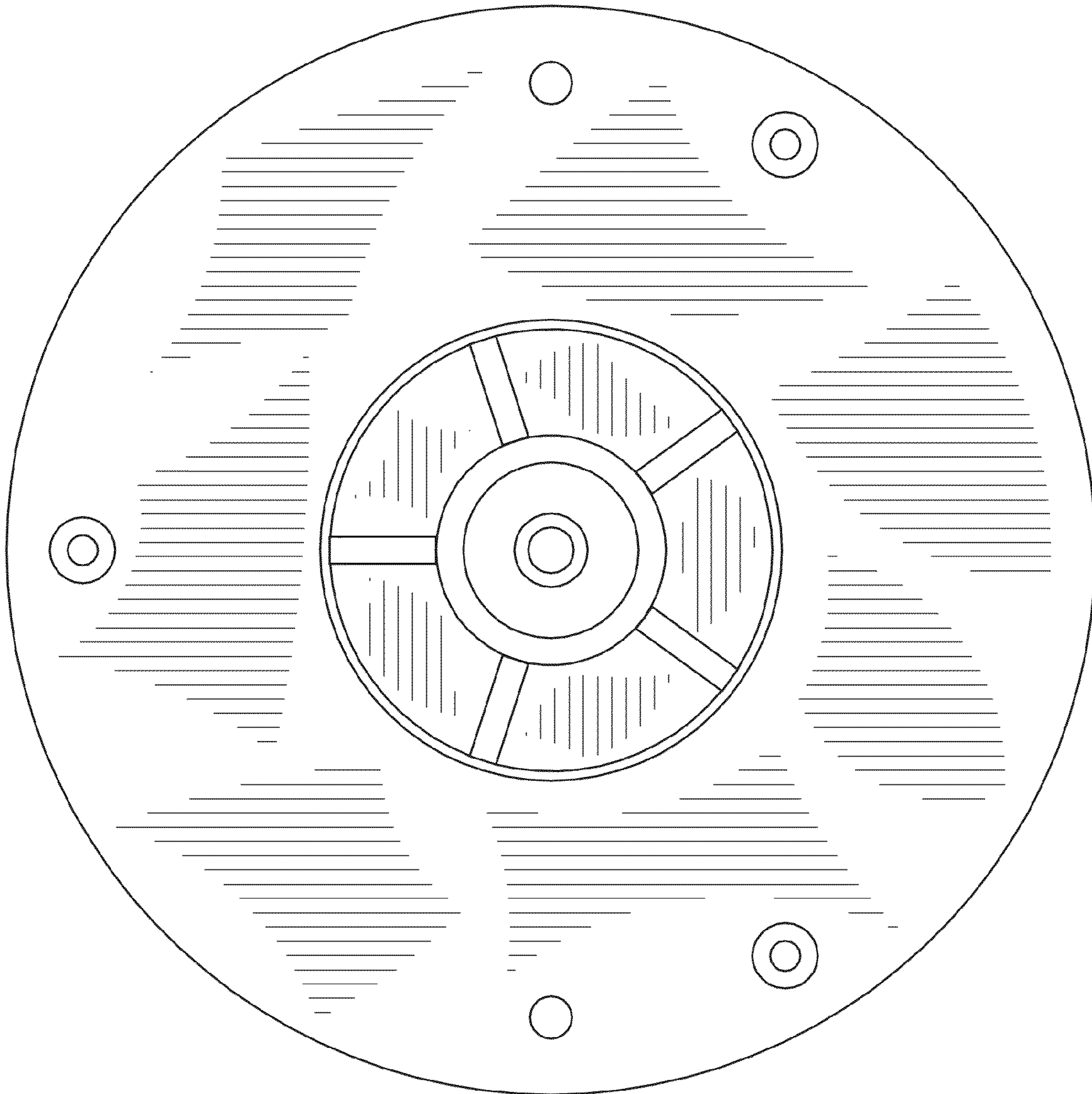


FIG. 14