



US00D720086S

(12) **United States Design Patent**
Chappell

(10) **Patent No.:** **US D720,086 S**
(45) **Date of Patent:** **** Dec. 23, 2014**

(54) **WINDOW COMPONENT EXTRUSION**

OTHER PUBLICATIONS

- (71) Applicant: **Mikron Industries, Inc.**, Kent, WA (US)
- (72) Inventor: **Robert Chappell**, Avondale, AZ (US)
- (73) Assignee: **Mikron Industries, Inc.**, Kent, WA (US)
- (**) Term: **14 Years**
- (21) Appl. No.: **29/457,194**
- (22) Filed: **Jun. 7, 2013**
- (51) **LOC (10) Cl.** **25-01**
- (52) **U.S. Cl.**
USPC **D25/125**; D25/124
- (58) **Field of Classification Search**
USPC D25/124, 125; 52/204.1, 204.5, 204.55,
52/656.5, 656.6, 656.7; 49/501, 504,
49/DIG. 2
See application file for complete search history.

- Mikron Part No. 8338, pre-dates 2009.
- Mikron Part No. 8339, pre-dates 2009.
- Mikron Part No. 8340, pre-dates 2009.
- Mikron Part No. 8383, pre-dates 2009.
- Mikron Part No. 8384, pre-dates 2009.
- Mikron Part No. 8495, pre-dates 2009.
- Mikron Part No. 8505, pre-dates 2009.
- Mikron Part No. 9375, pre-dates 2009.
- Mikron Part No. 9622, pre-dates 2009.
- Mikron Part No. 9959, pre-dates 2009.
- Mikron Part No. 10268, first sale date Jan. 27, 2011
- Mikron Part No. 7907, sale date pre-2009.
- Mikron Part No. 8996, sale date pre-2009.
- Mikron Part No. 10154, sale date Jun. 11, 2010.
- Mikron Part No. 10176, sale date Sep. 8, 2010.
- Mikron Part No. 10401, sale date Mar. 20, 2013.
- Mikron design patent application titled Window Component Extrusion 10401-10402-10431; U.S. Appl. No. 29/421,685, filed Aug. 31, 2012.

* cited by examiner

Primary Examiner — Doris Clark

(74) *Attorney, Agent, or Firm* — Zollinger & Burleson Ltd.

(56) **References Cited**

U.S. PATENT DOCUMENTS

- D366,328 S 1/1996 Oliver
- D375,804 S 11/1996 Goss
- D378,546 S * 3/1997 Dallaire et al. D25/125
- D379,240 S 5/1997 Jarell
- D400,269 S 10/1998 Franson
- D405,894 S 2/1999 Oliver
- D430,309 S 8/2000 Goss
- D433,516 S 11/2000 Goss
- 6,334,283 B1 * 1/2002 Edger 52/204.1
- D470,244 S 2/2003 Franson
- D504,958 S 5/2005 Cole
- D512,164 S 11/2005 Schrader
- D594,136 S * 6/2009 Campbell et al. D25/124

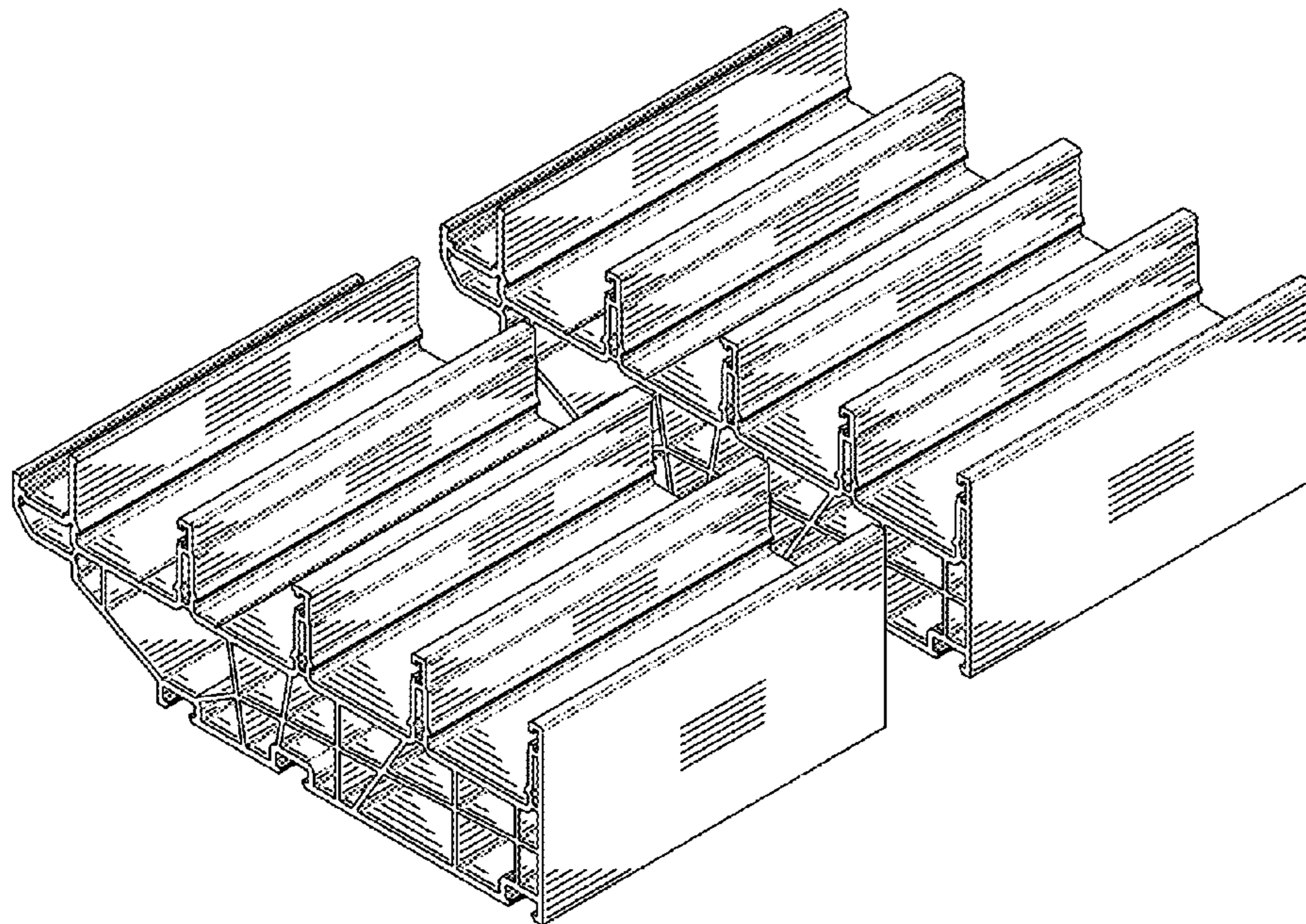
(57) **CLAIM**

The ornamental design for a window component extrusion, as shown and described.

DESCRIPTION

FIG. 1 is a top perspective view of the window component extrusion which is broken in the center indicating indeterminate length; and, FIG. 2 is a bottom perspective view of the window component extrusion shown in FIG. 1.

1 Claim, 1 Drawing Sheet



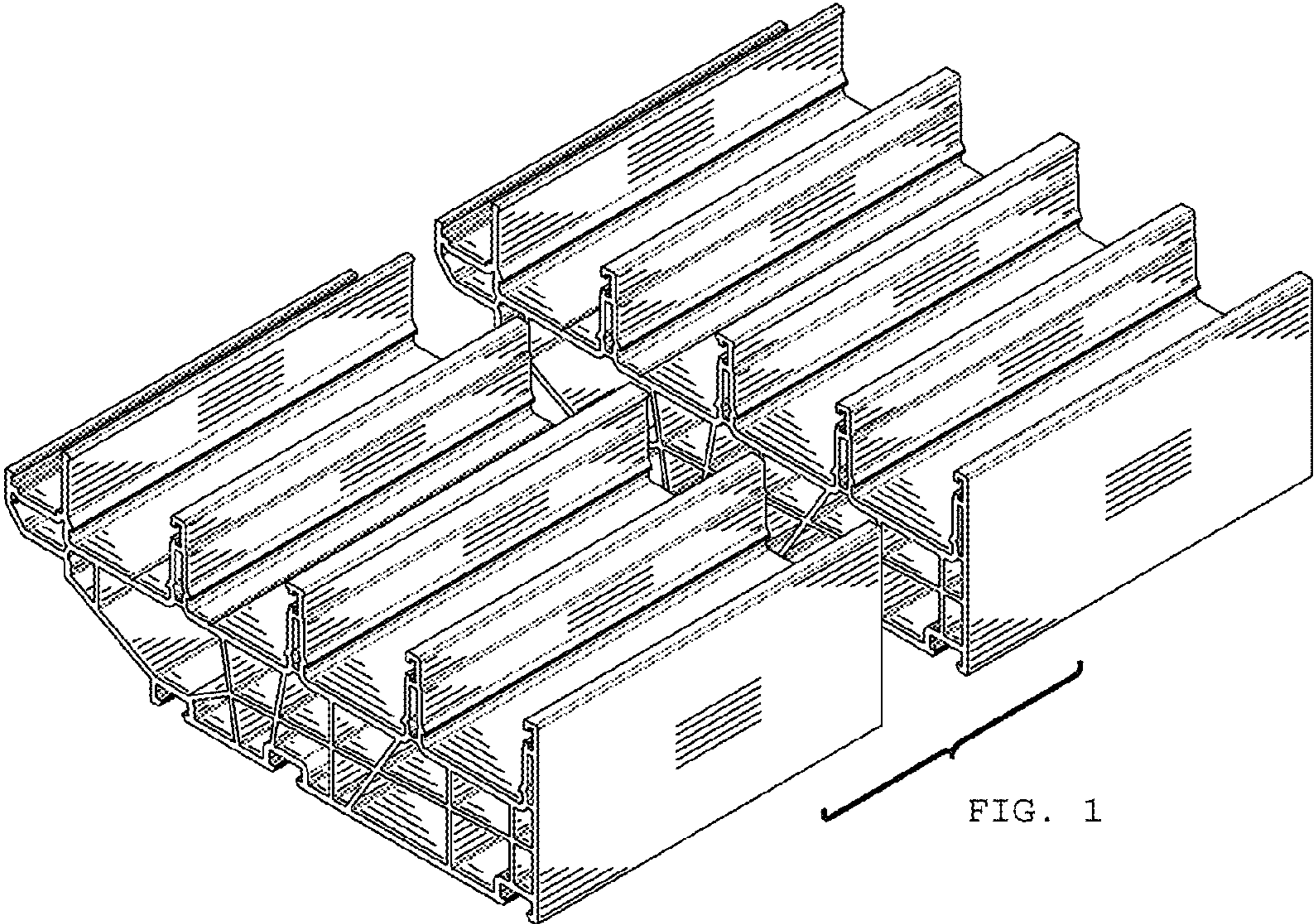


FIG. 1

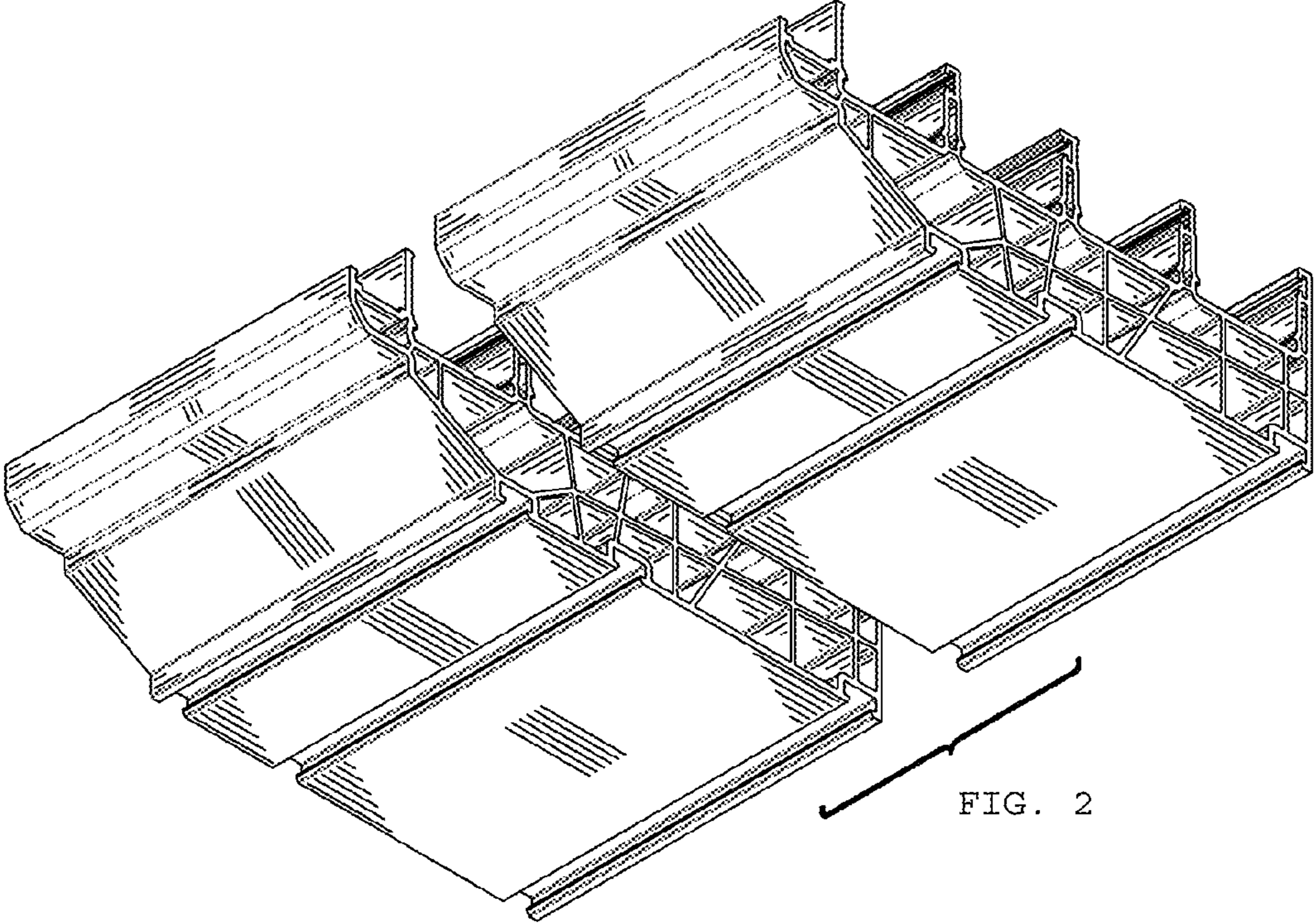


FIG. 2