



US00D720085S

(12) **United States Design Patent**  
**Wickland**

(10) **Patent No.:** **US D720,085 S**  
(45) **Date of Patent:** **\*\* Dec. 23, 2014**

(54) **WINDOW COMPONENT EXTRUSION**

(71) Applicant: **Mikron Industries, Inc.**, Kent, WA (US)

(72) Inventor: **Timothy Todd Wickland**, Auburn, WA (US)

(73) Assignee: **Mikron Industries, Inc.**, Kent, WA (US)

(\*\*) Term: **14 Years**

(21) Appl. No.: **29/455,409**

(22) Filed: **May 20, 2013**

(51) **LOC (10) Cl.** ..... **25-01**

(52) **U.S. Cl.**  
USPC ..... **D25/124; D25/125**

(58) **Field of Classification Search**  
USPC ..... D25/124, 125; 52/204.1, 204.5, 204.55,  
52/656.5, 656.6, 656.7; 49/501, 504,  
49/DIG. 2

See application file for complete search history.

(56) **References Cited**

**U.S. PATENT DOCUMENTS**

D366,328 S	1/1996	Oliver	
D375,804 S	11/1996	Goss	
D379,240 S	5/1997	Jarell	
D400,269 S	10/1998	Franson	
D405,894 S	2/1999	Oliver	
D430,309 S	8/2000	Goss	
D433,516 S	11/2000	Goss	
6,334,283 B1 *	1/2002	Edger	52/204.1
D470,244 S	2/2003	Franson	
D504,958 S	5/2005	Cole	
D512,164 S	11/2005	Schrader	
D594,136 S *	6/2009	Campbell et al.	D25/124

**OTHER PUBLICATIONS**

Mikron Part No. 7907, sale date pre-2009.

Mikron Part No. 8996, sale date pre-2009.  
Mikron Part No. 10154, sale date Jun. 11, 2010.  
Mikron Part No. 10176, sale date Sep. 8, 2010.  
Mikron Part No. 10401, sale date Mar. 20, 2013.  
Mikron design patent application titled Window Component Extrusion 10401-10402-10431; U.S. Appl. No. 29/421,685, filed Aug. 31, 2012.  
Mikron Part No. 8338, pre-dates 2009.  
Mikron Part No. 8339, pre-dates 2009.  
Mikron Part No. 8340, pre-dates 2009.  
Mikron Part No. 8383, pre-dates 2009.  
Mikron Part No. 8384, pre-dates 2009.  
Mikron Part No. 8495, pre-dates 2009.  
Mikron Part No. 8505, pre-dates 2009.  
Mikron Part No. 9375, pre-dates 2009.  
Mikron Part No. 9622, pre-dates 2009.  
Mikron Part No. 9959, pre-dates 2009.  
Mikron Part No. 10268, first sale date Jan. 27, 2011.

\* cited by examiner

*Primary Examiner* — Doris Clark

(74) *Attorney, Agent, or Firm* — Zollinger & Burleson Ltd.

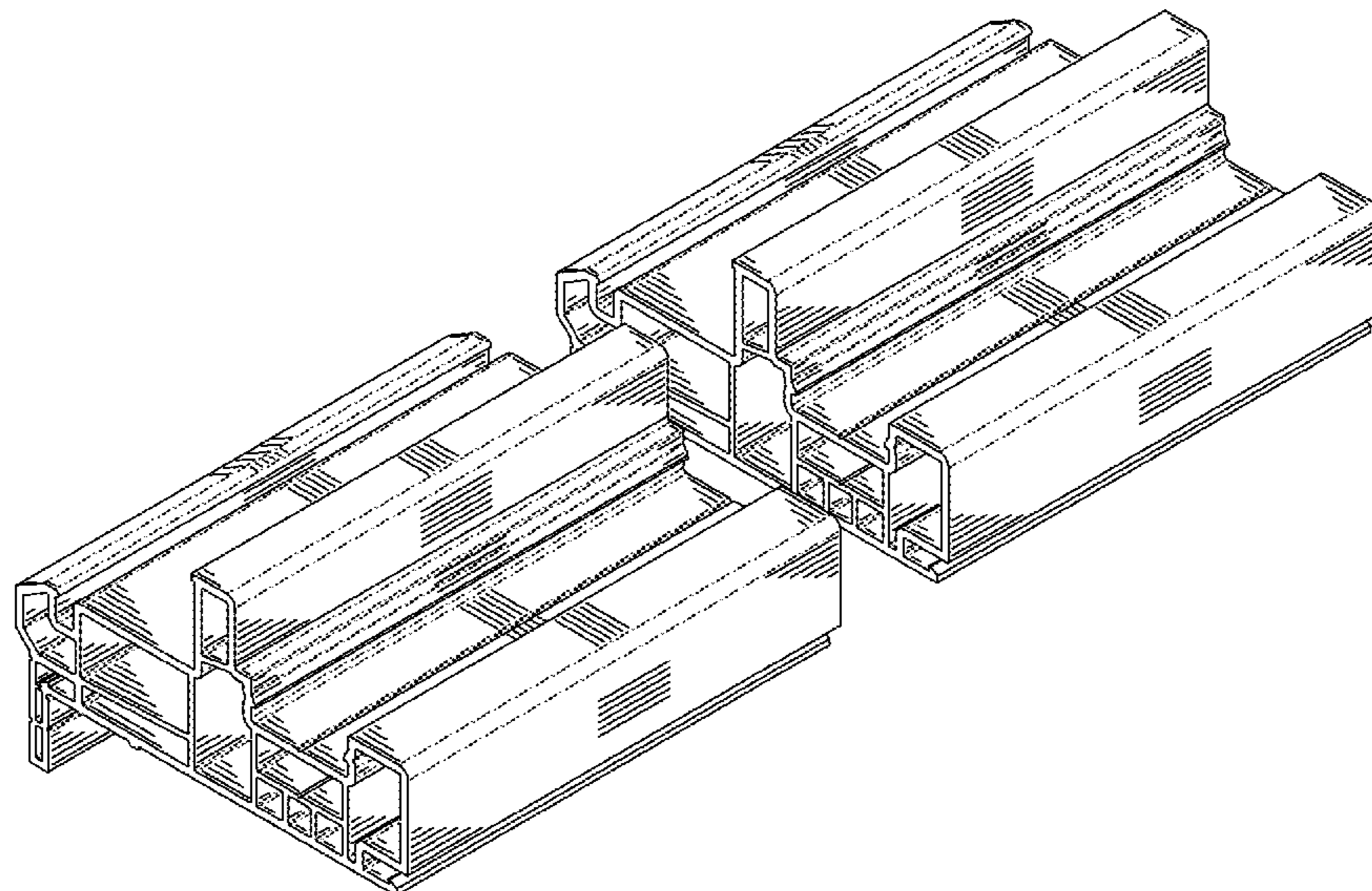
(57) **CLAIM**

The ornamental design for a window component extrusion, as shown and described.

**DESCRIPTION**

FIG. 1 is a top perspective view of the window component extrusion which is broken in the center indicating indeterminate length, and  
FIG. 2 is a bottom perspective view of the window component extrusion shown in FIG. 1.  
FIG. 3 is a top perspective view of an alternative configuration of the window component extrusion which is broken in the center indicating indeterminate length; and,  
FIG. 4 is a bottom perspective view of the window component extrusion shown in FIG. 3.

**1 Claim, 2 Drawing Sheets**



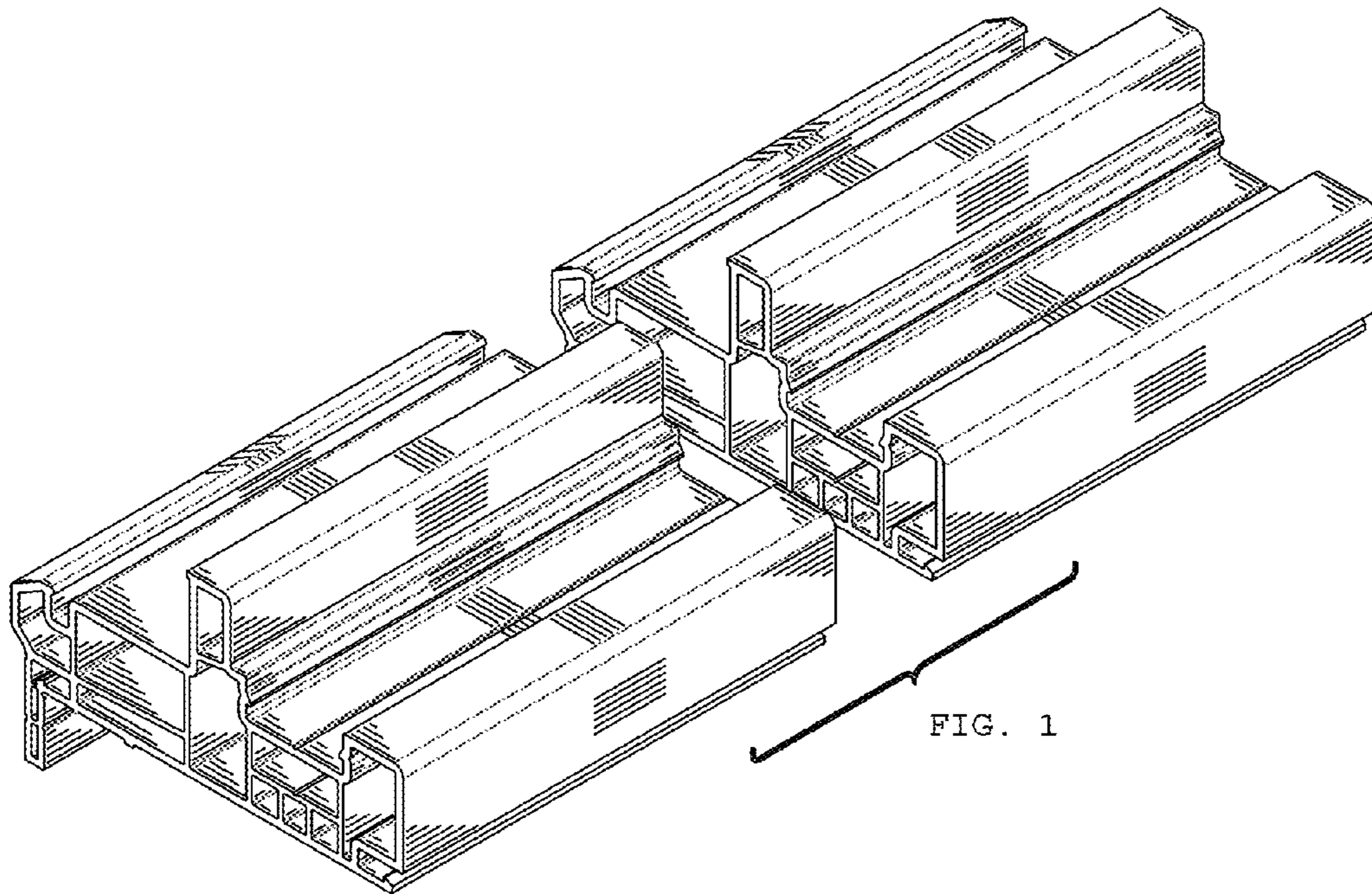


FIG. 1

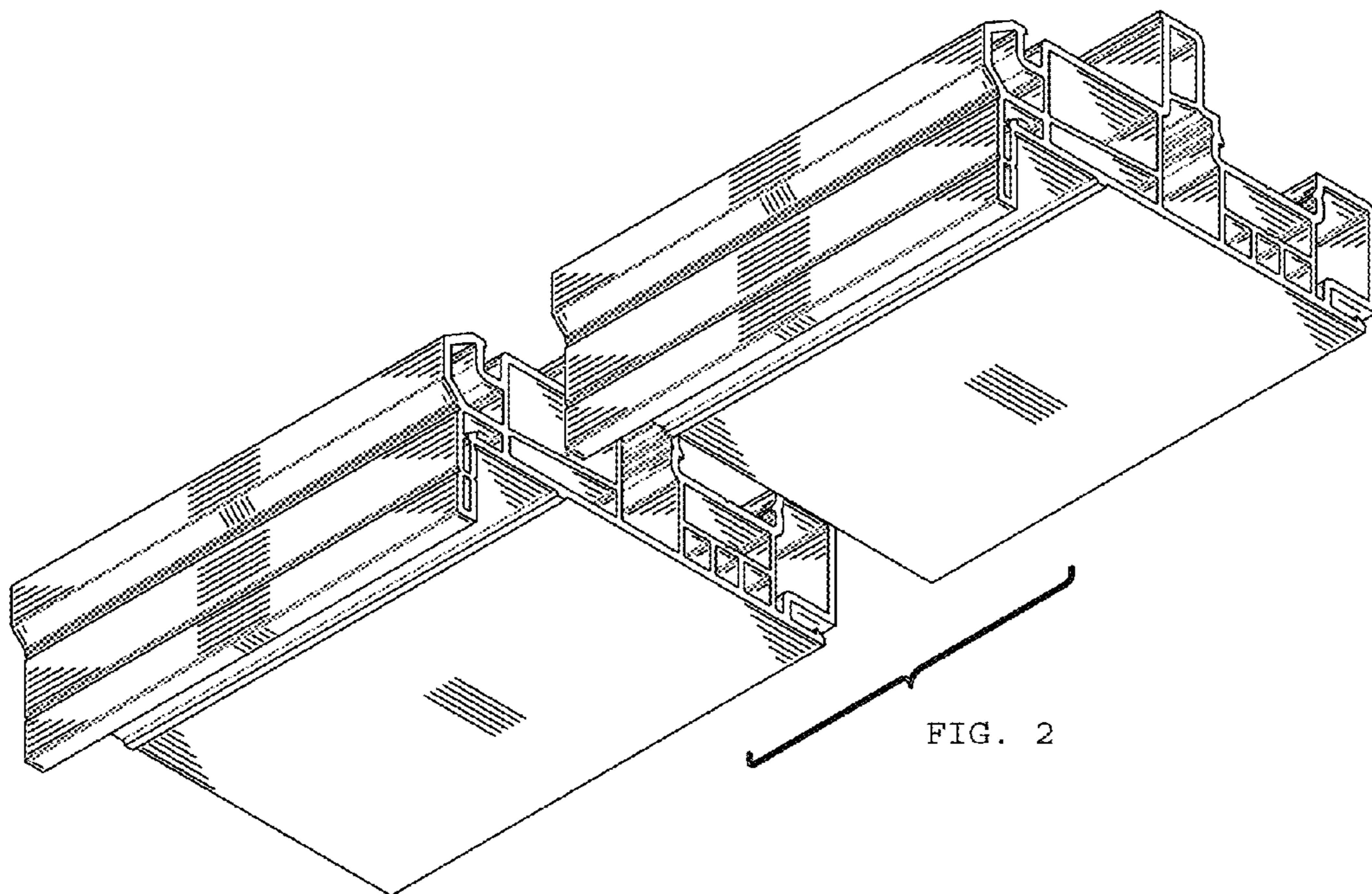


FIG. 2

