



US00D720083S

(12) **United States Design Patent**  
**Fannan**

(10) **Patent No.:** **US D720,083 S**

(45) **Date of Patent:** **\*\* \*Dec. 23, 2014**

(54) **WINDOW COMPONENT EXTRUSION**

(75) Inventor: **Michael R. Fannan**, Pecatonica, IL (US)

(73) Assignee: **Mikron Industries, Inc.**, Kent, WA (US)

(\*) Notice: This patent is subject to a terminal disclaimer.

(\*\*) Term: **14 Years**

(21) Appl. No.: **29/374,947**

(22) Filed: **Oct. 28, 2011**

**Related U.S. Application Data**

(63) Continuation of application No. 29/349,766, filed on Apr. 30, 2010, now abandoned.

(51) **LOC (10) Cl.** ..... **25-01**

(52) **U.S. Cl.**  
USPC ..... **D25/124**

(58) **Field of Classification Search**  
USPC ..... D25/119; 52/204.1, 204.2, 204.5, 52/204.51, 656.5, 656.6, 213, 215, 208, 52/206, 212, 717.01, 209, 204.72, 579, 52/793.1, 794.1, 216; 49/DIG. 2, 504, 501, 49/449, 180, 183; 160/91  
See application file for complete search history.

(56) **References Cited**

**U.S. PATENT DOCUMENTS**

2,782,887 A \* 2/1957 Zimmermann ..... 49/489.1  
4,856,230 A \* 8/1989 Slocomb ..... 49/504

D307,486	S	*	4/1990	Westphal et al.	.....	D25/124
4,944,118	A	*	7/1990	Biro	.....	49/504
D325,991	S	*	5/1992	Valentin	.....	D25/124
6,006,478	A	*	12/1999	Hubner et al.	.....	52/204.5
6,047,514	A	*	4/2000	Verch	.....	52/656.5
D430,941	S	*	9/2000	Franson et al.	.....	D25/124
6,698,157	B1	*	3/2004	Porter	.....	52/794.1
D572,835	S	*	7/2008	Willman	.....	D25/124
2005/0028459	A1	*	2/2005	Crandell et al.	.....	52/204.5
2006/0026913	A1	*	2/2006	Turner	.....	52/204.5
2006/0096193	A1	*	5/2006	Ohrstrom	.....	52/204.5

\* cited by examiner

*Primary Examiner* — Doris Clark

(74) *Attorney, Agent, or Firm* — Zollinger & Burleson Ltd.

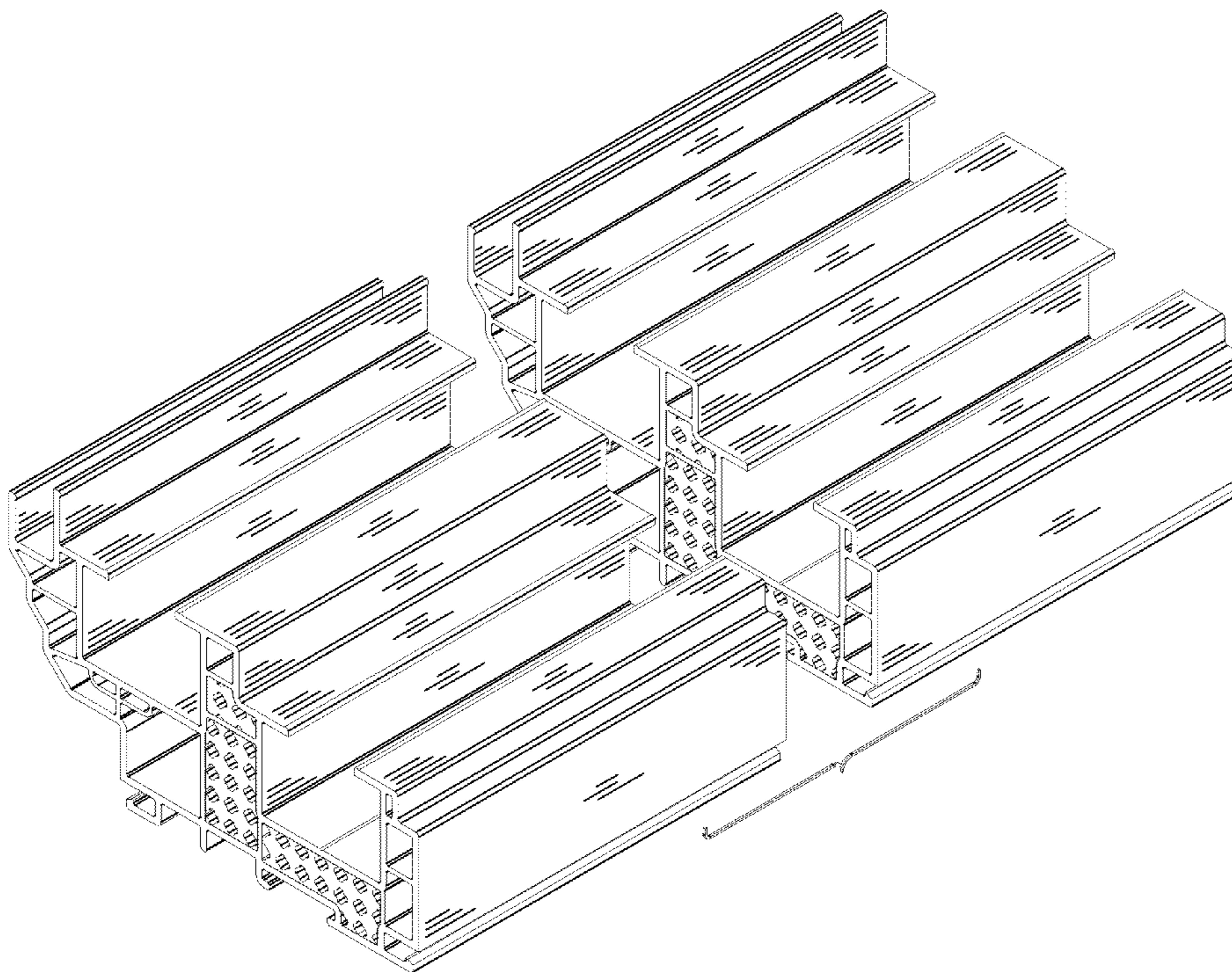
(57) **CLAIM**

The ornamental design for a window component extrusion, as shown and described.

**DESCRIPTION**

FIG. 1 is a top right perspective view of a first embodiment of the window component extrusion which is broken in the center indicating indefinite length, FIG. 2 is a bottom left perspective view of the window component extrusion shown in FIG. 1, FIG. 3 is a top right perspective view of a second embodiment of the window component extrusion which is broken in the center indicating indefinite length; and, FIG. 4 is a bottom left perspective view of the window component extrusion shown in FIG. 3.

**1 Claim, 2 Drawing Sheets**



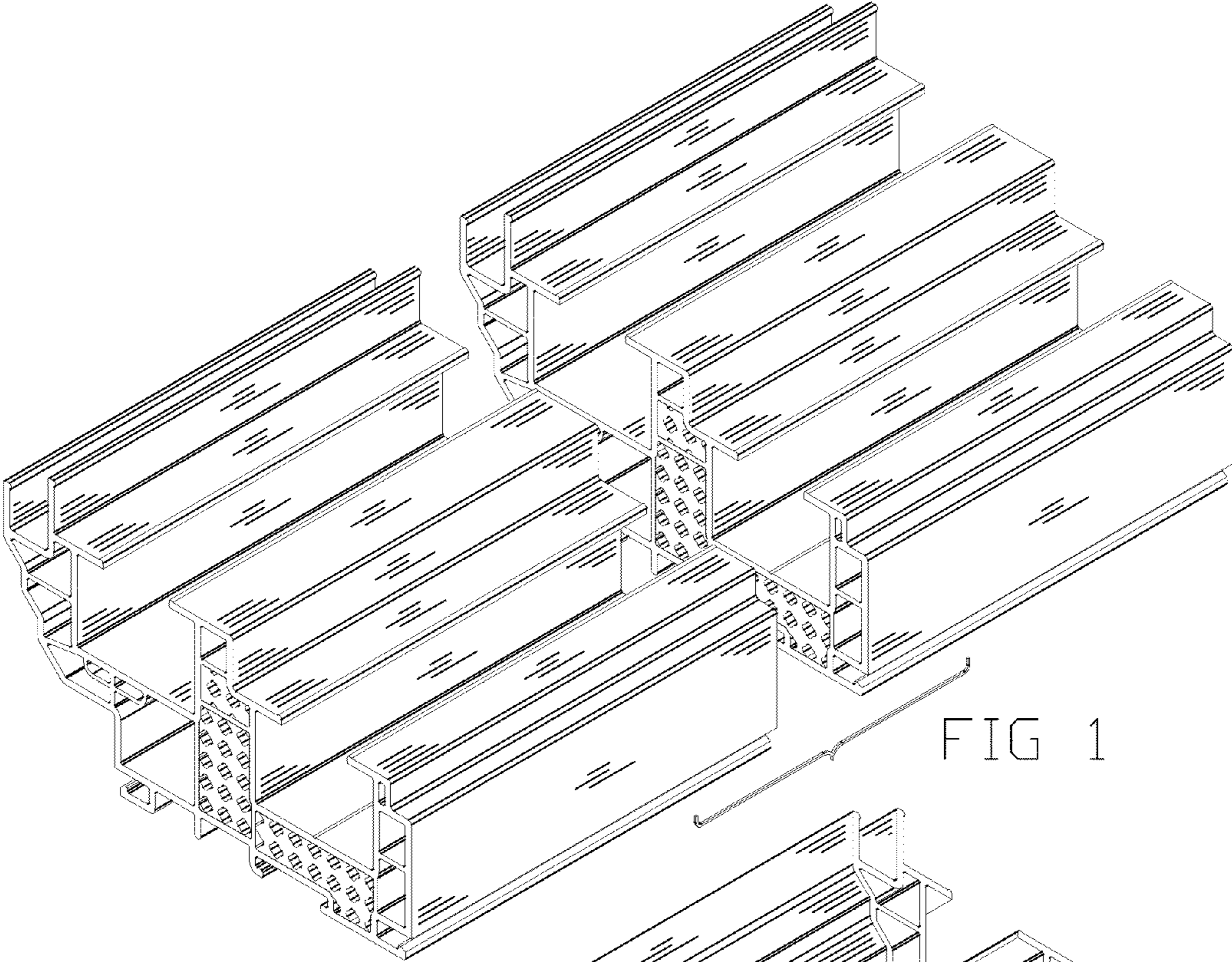


FIG 1

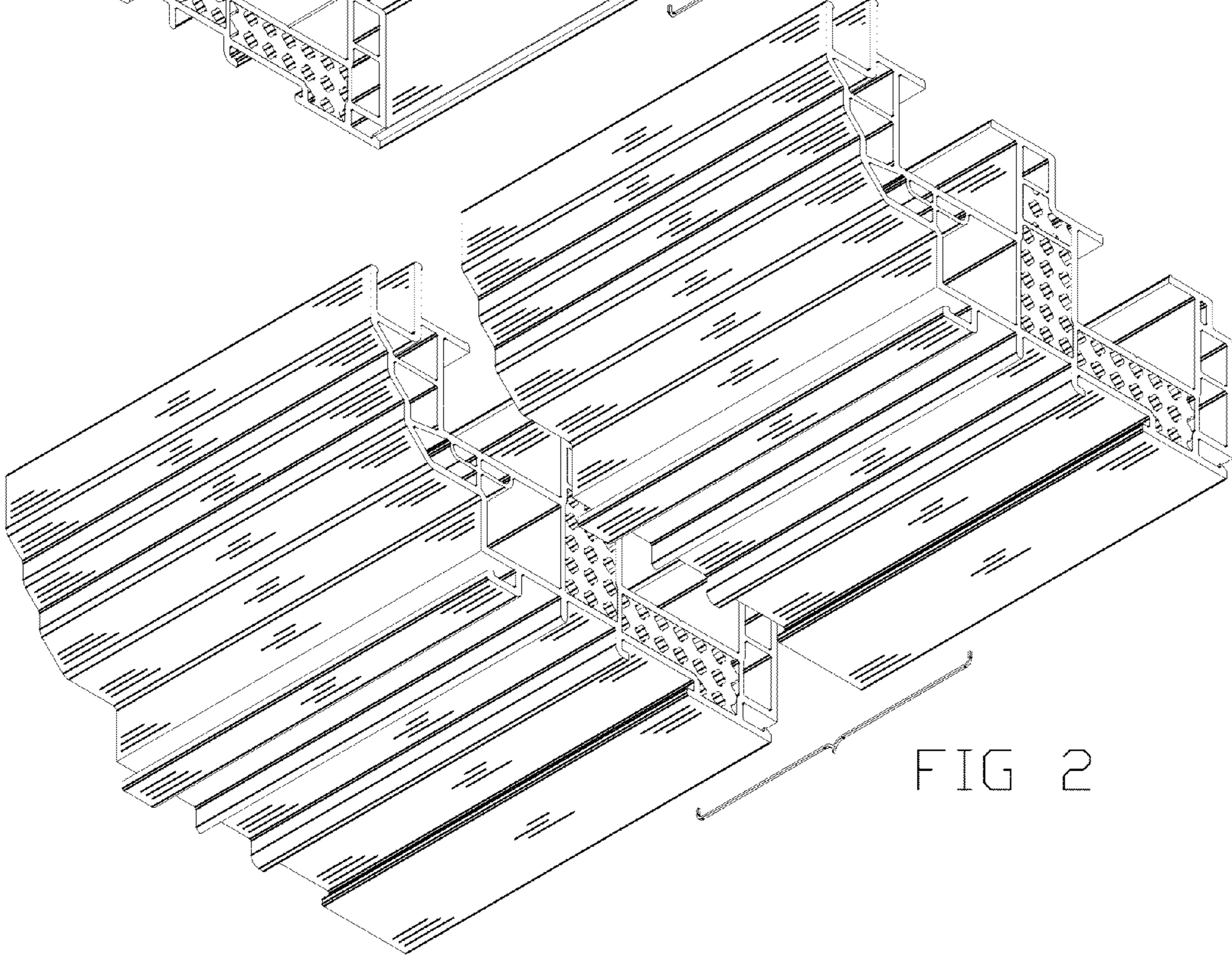


FIG 2

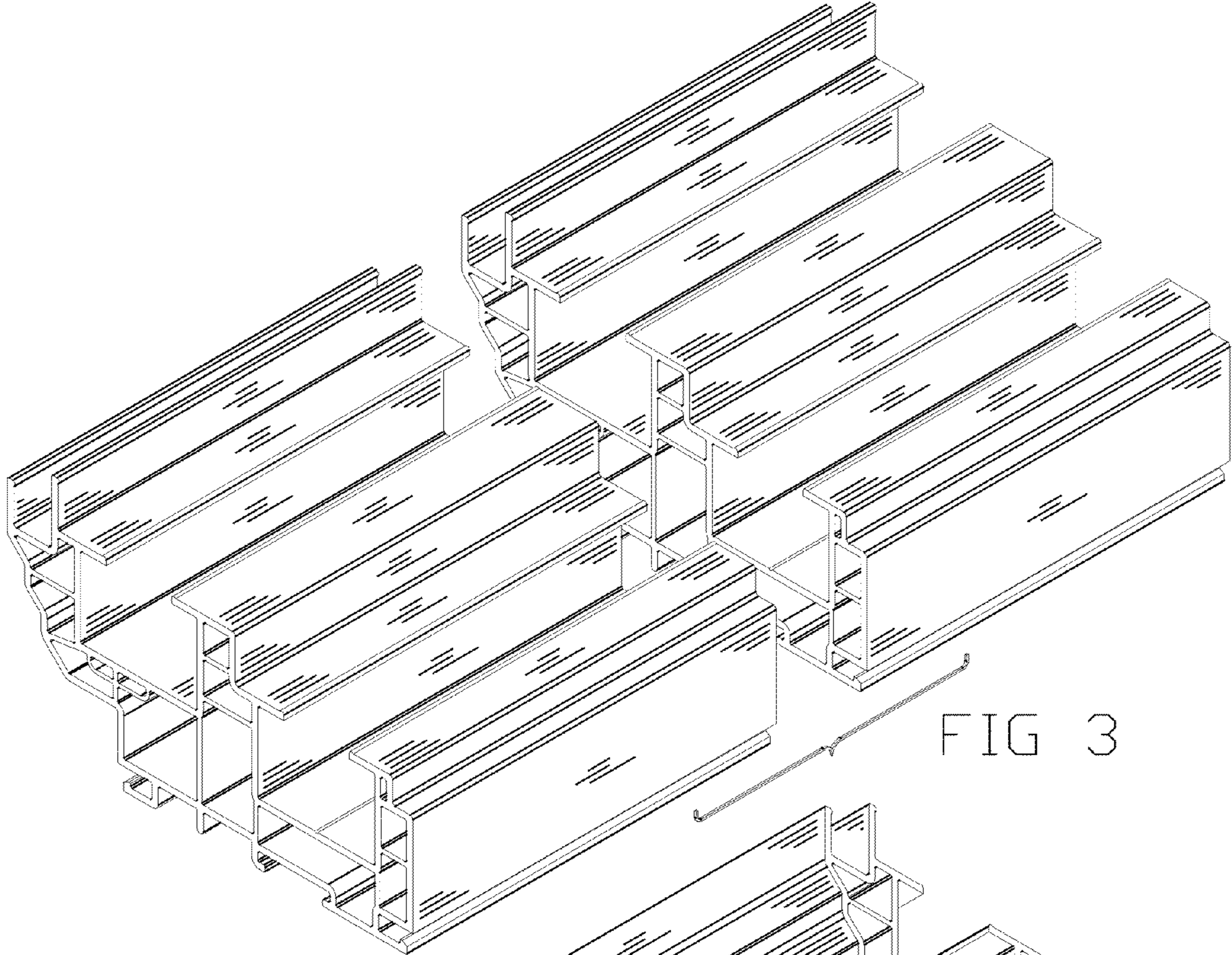


FIG 3

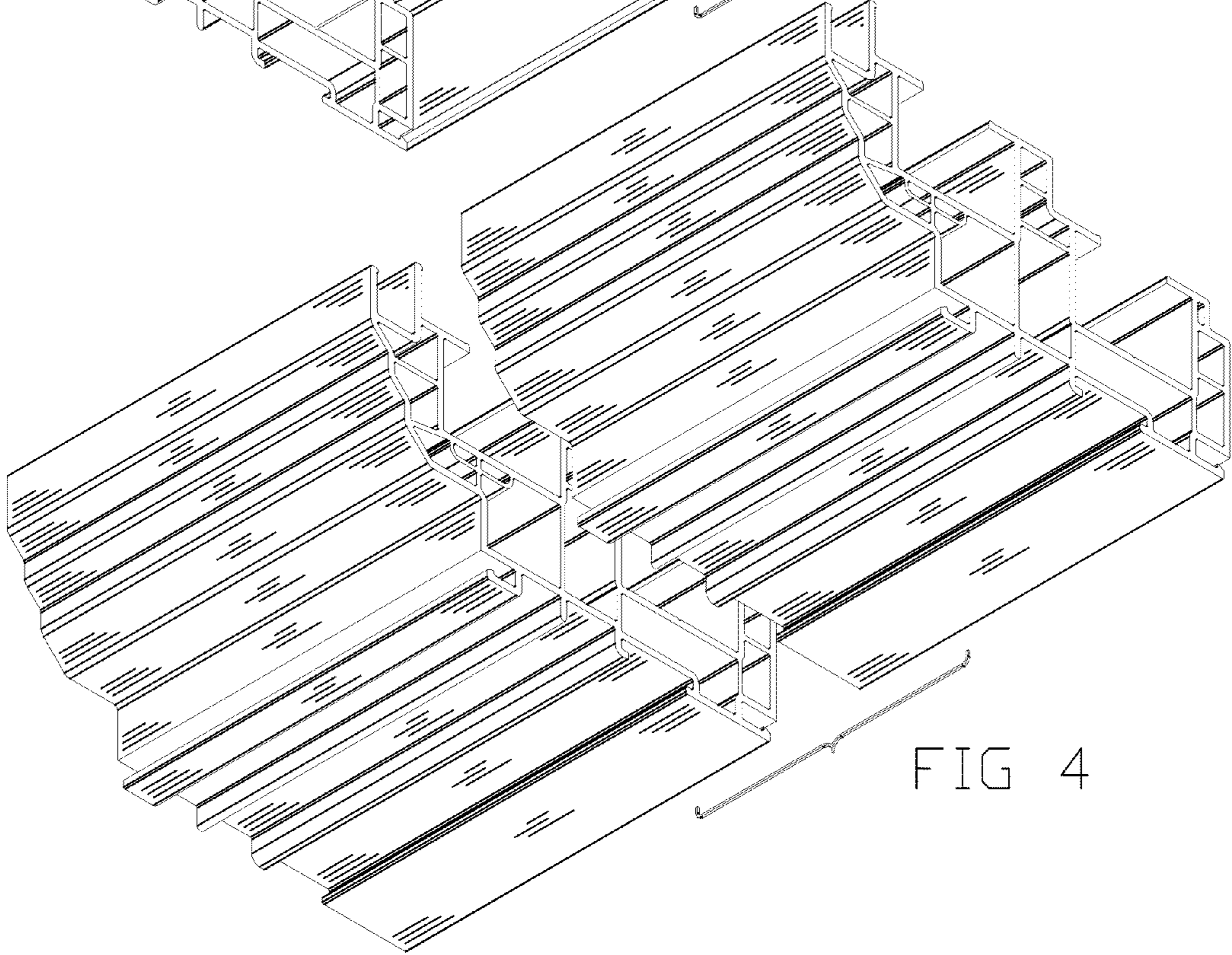


FIG 4