



US00D720079S

(12) **United States Design Patent**  
**Oonuma et al.**

(10) **Patent No.:** **US D720,079 S**

(45) **Date of Patent:** **\*\* Dec. 23, 2014**

(54) **COVER OF A BIOCHEMICAL ANALYZER**

(56) **References Cited**

(71) Applicant: **Hitachi High-Technologies Corporation**, Tokyo (JP)  
  
(72) Inventors: **Mitsuru Oonuma**, Tokyo (JP); **Yoko Sato**, Tokyo (JP); **Takashi Yamamoto**, Tokyo (JP); **Takeshi Setomaru**, Tokyo (JP); **Hideyasu Chiba**, Tokyo (JP)  
  
(73) Assignee: **Hitachi High-Technologies Corporation**, Tokyo (JP)

U.S. PATENT DOCUMENTS

D339,639	S	*	9/1993	Ohnuma et al.	.....	D24/232
D378,782	S	*	4/1997	LaBarbera et al.	.....	D24/232
D415,840	S	*	10/1999	Lamond et al.	.....	D24/219
D560,131	S	*	1/2008	Hu et al.	.....	D10/81
D621,523	S	*	8/2010	Oonuma et al.	.....	D24/234
2002/0025275	A1	*	2/2002	Oonuma et al.	.....	422/64
2007/0104614	A1	*	5/2007	Wang et al.	.....	422/64

\* cited by examiner

*Primary Examiner* — Anhdao Doan

(74) *Attorney, Agent, or Firm* — Antonelli, Terry, Stout & Kraus, LLP.

(\*\*) Term: **14 Years**

(21) Appl. No.: **29/475,892**

(22) Filed: **Dec. 9, 2013**

(57) **CLAIM**

We claim the ornamental design for a cover of a biochemical analyzer, as shown and described.

(30) **Foreign Application Priority Data**

Sep. 3, 2013 (JP) ..... 2013-020379

(51) **LOC (10) Cl.** ..... **24-01**

(52) **U.S. Cl.**  
USPC ..... **D24/216; D24/232**

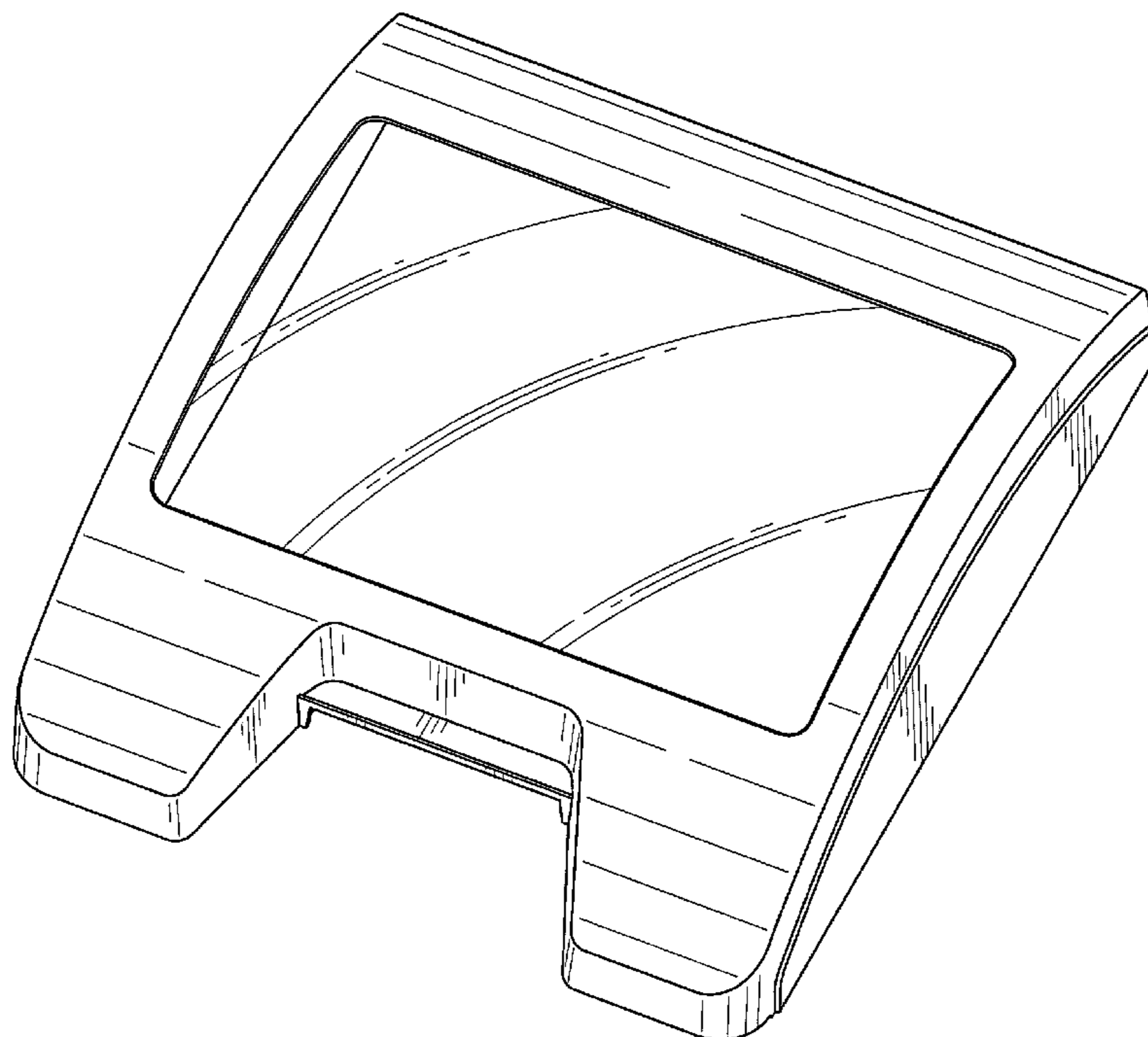
(58) **Field of Classification Search**  
USPC ..... D24/216, 223, 231, 232, 233, 186, 107, D24/219; D10/81, 97; 435/286.1, 286.4, 435/286.5, 287.3; 422/63-67, 509; 73/863.01, 863.02, 863.03, 863.31, 73/863.32

See application file for complete search history.

**DESCRIPTION**

FIG. 1 is a front, top and right side perspective view of a cover of a biochemical analyzer showing our new design;  
FIG. 2 is a front elevational view thereof;  
FIG. 3 is a rear elevational view thereof;  
FIG. 4 is a left side elevational view thereof;  
FIG. 5 is a right side elevational view thereof;  
FIG. 6 is a top plan view thereof; and,  
FIG. 7 is a bottom plan view thereof.

**1 Claim, 5 Drawing Sheets**



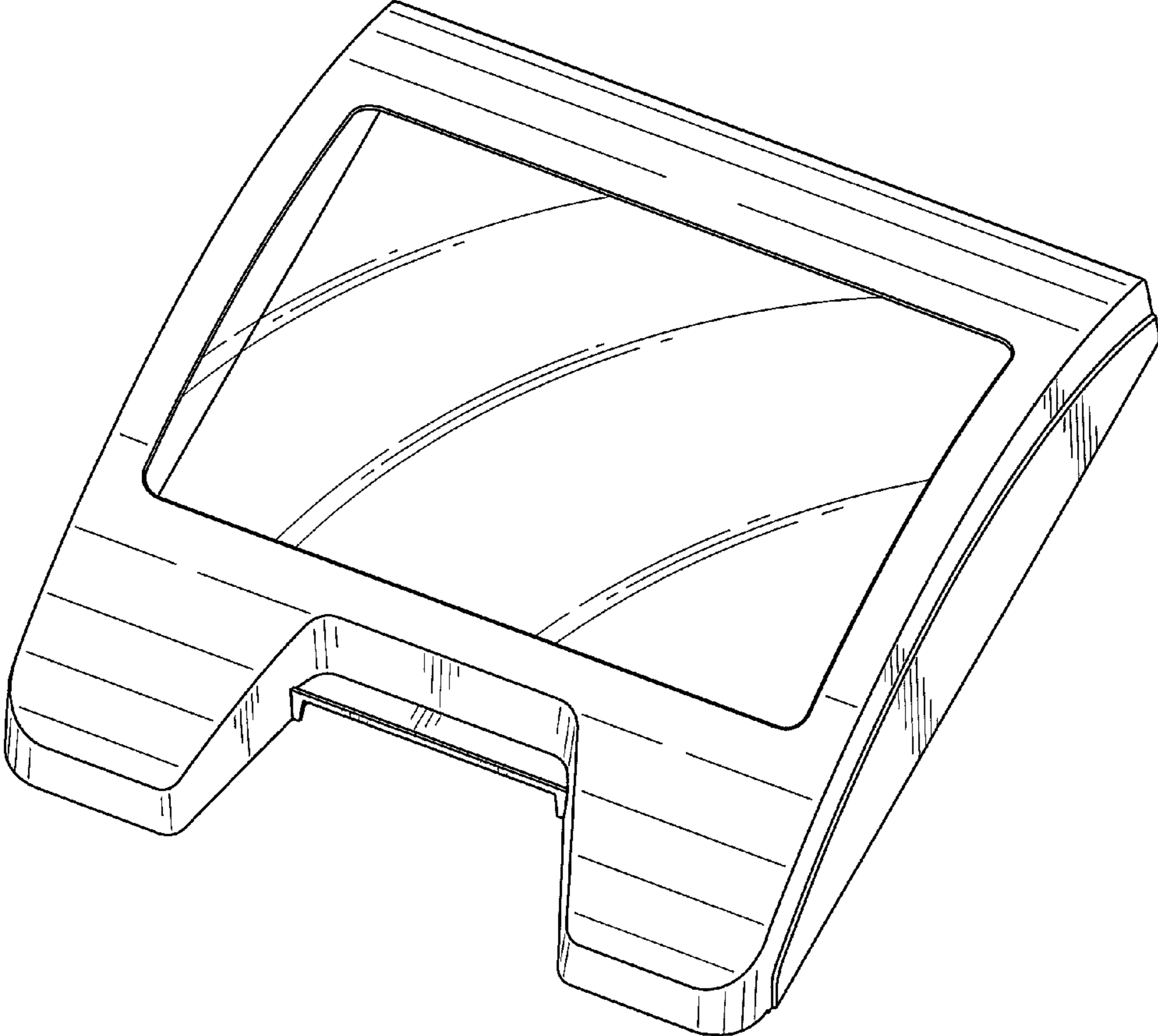
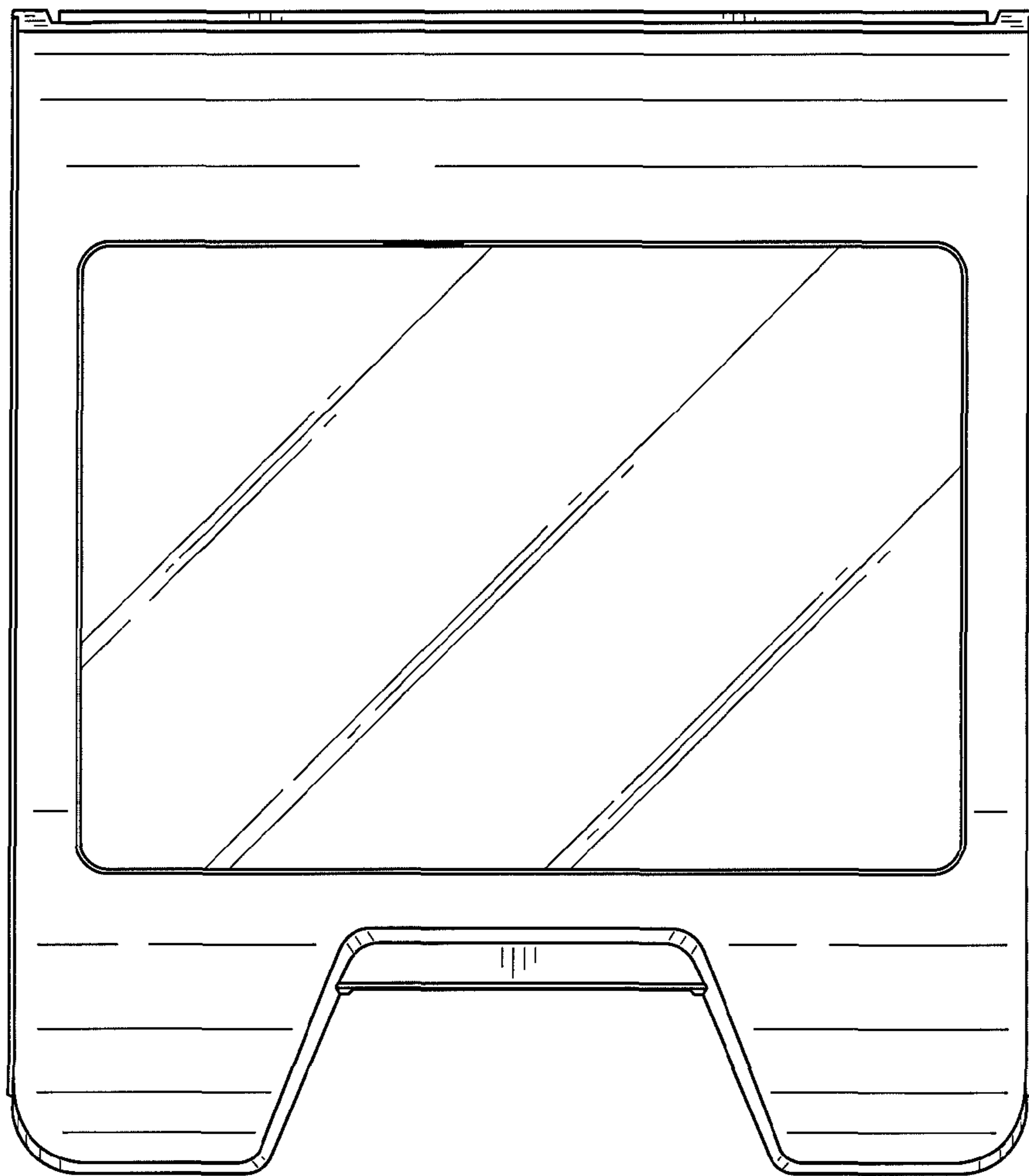


FIG. 1



**FIG. 2**

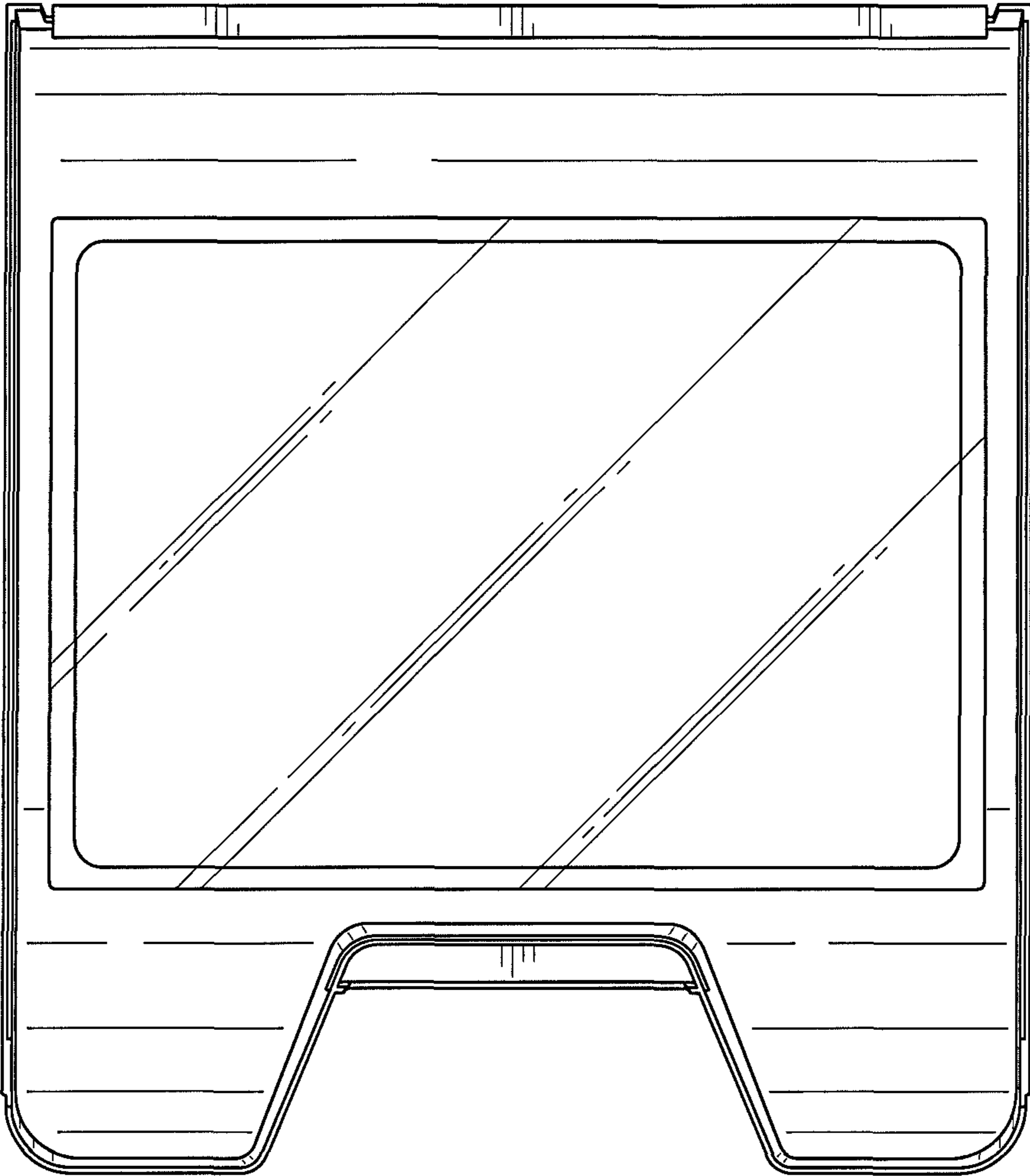
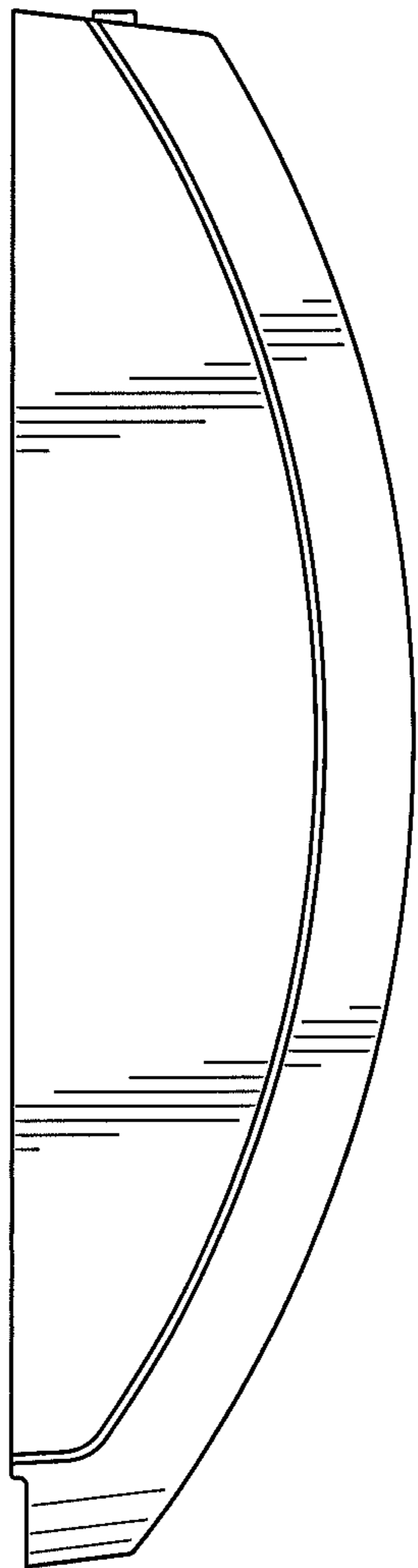
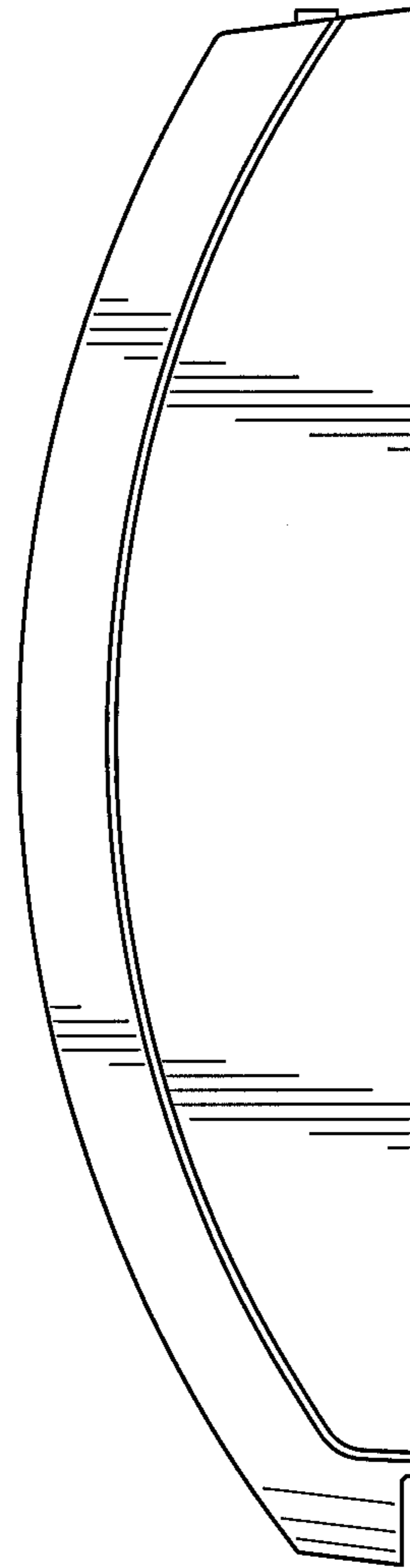


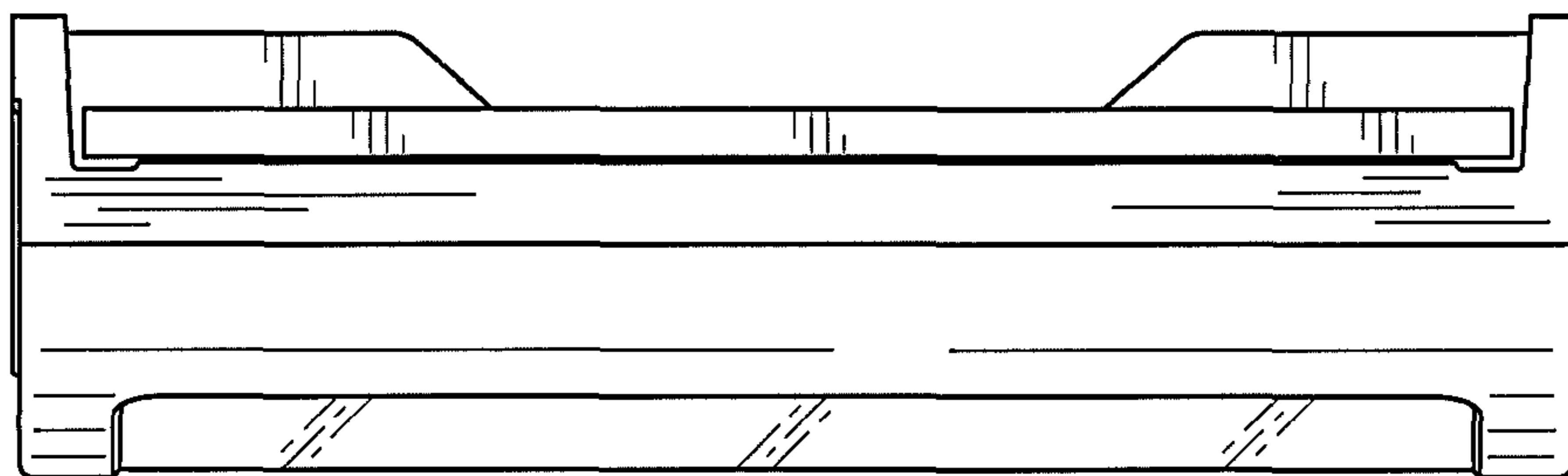
FIG. 3



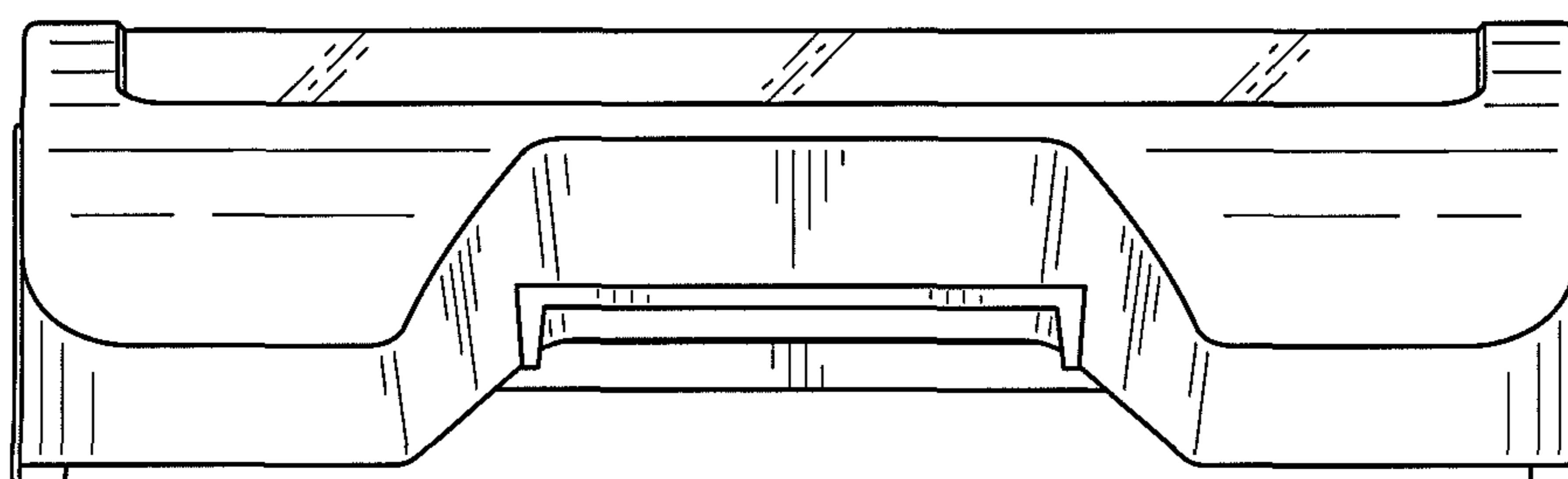
**FIG. 4**



**FIG. 5**



*FIG. 6*



*FIG. 7*