



US00D720077S

(12) **United States Design Patent**
Sakulsacha

(10) **Patent No.:** **US D720,077 S**

(45) **Date of Patent:** **** Dec. 23, 2014**

(54) **SUPER SOFT NIPPLE**

(75) Inventor: **Chawarin Sakulsacha**, Bangkok (TH)

(73) Assignee: **Royal King Infant Products Co., Ltd.**,
Bangkok (TH)

(**) Term: **14 Years**

(21) Appl. No.: **29/430,310**

(22) Filed: **Aug. 23, 2012**

(51) **LOC (10) Cl.** **24-04**

(52) **U.S. Cl.**
USPC **D24/194**

(58) **Field of Classification Search**
CPC A61J 11/001; A61J 11/0035
USPC D24/194, 197, 198, 199; 215/11.1,
215/11.2, 11.3, 11.4, 11.5, 11.6
See application file for complete search history.

(56) **References Cited**

U.S. PATENT DOCUMENTS

D405,530	S	*	2/1999	Manganiello et al.	D24/196
D421,306	S	*	2/2000	Meyers et al.	D24/197
D444,239	S	*	6/2001	Kobayashi et al.	D24/196
6,244,452	B1	*	6/2001	Morano et al.	215/11.6
D463,567	S	*	9/2002	Morano	D24/196
D465,028	S	*	10/2002	Renz	D24/196
D504,723	S	*	5/2005	Randolph et al.	D24/196
D520,142	S	*	5/2006	Mallet	D24/196
D547,874	S	*	7/2007	Horie et al.	D24/194

D599,028	S	*	8/2009	Schofield	D24/196
D635,683	S	*	4/2011	Shaikh et al.	D24/196
8,181,800	B2	*	5/2012	Rees et al.	215/11.5
D681,216	S	*	4/2013	Smith	D24/196
2004/0164043	A1	*	8/2004	Hakim	215/11.5
2008/0251486	A1	*	10/2008	Housley et al.	215/11.5

* cited by examiner

Primary Examiner — Deanna L Pratt

Assistant Examiner — Kendra L Hamilton

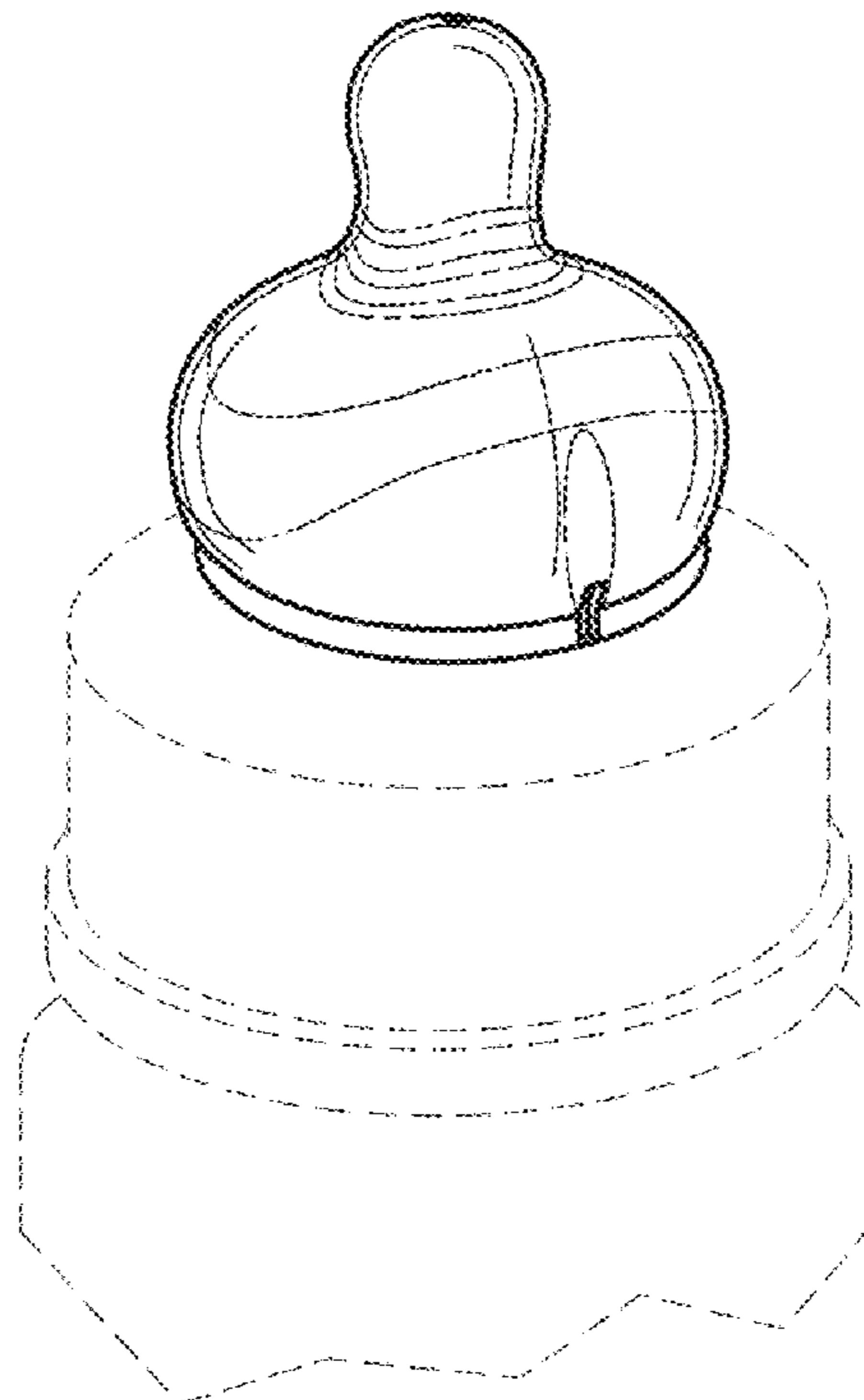
(57) **CLAIM**

I claim the ornamental design for a super soft nipple, as shown and described.

DESCRIPTION

FIG. 1 is a perspective view of a first embodiment of a super soft nipple on a drinking container;
 FIG. 2 is a perspective view of the super soft nipple thereof;
 FIG. 3 is a perspective view of the super soft nipple in a collapsed state thereof;
 FIG. 4 is a front side elevation view of the super soft nipple of the first embodiment thereof;
 FIG. 5 is a right side elevation view of the super soft nipple thereof;
 FIG. 6 is a left side cross-sectional view of the super soft nipple thereof; and,
 FIG. 7 is a right side view of the super soft nipple thereof.
 The broken line showing the drinking container in FIG. 1 is included for the purpose of illustrating the environment of the claimed design and forms no part thereof.

1 Claim, 1 Drawing Sheet



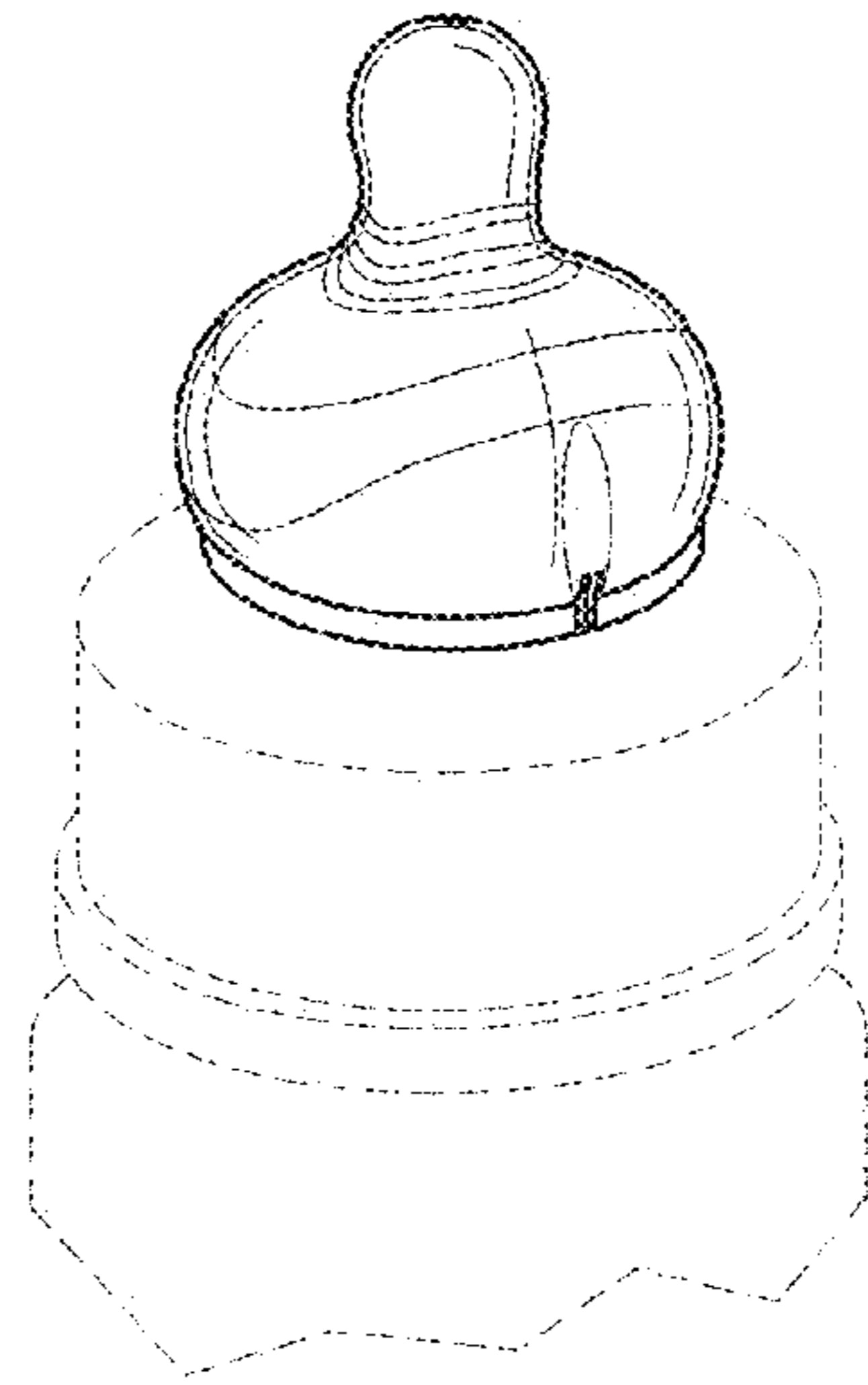


FIG. 1

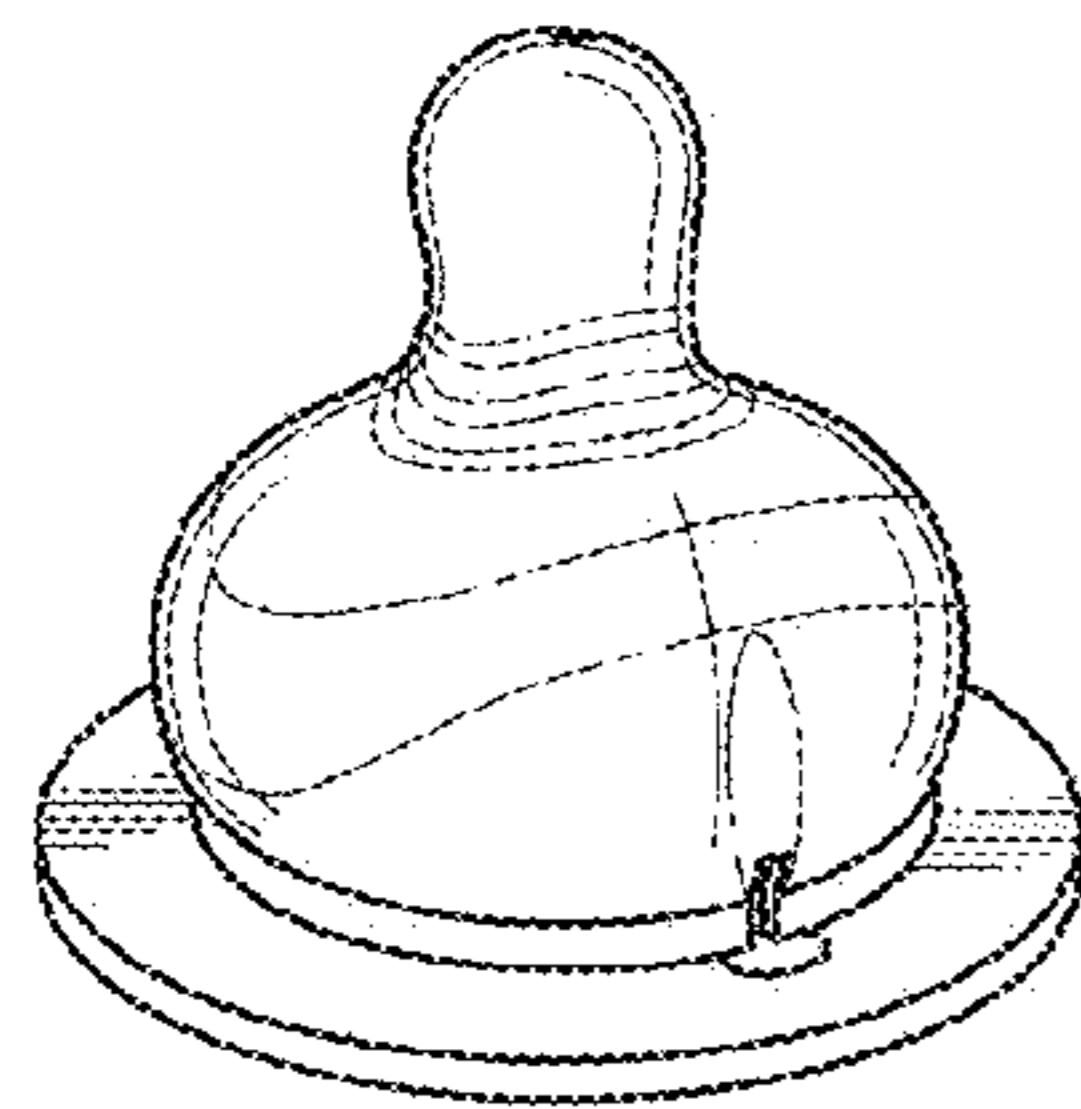


FIG. 2

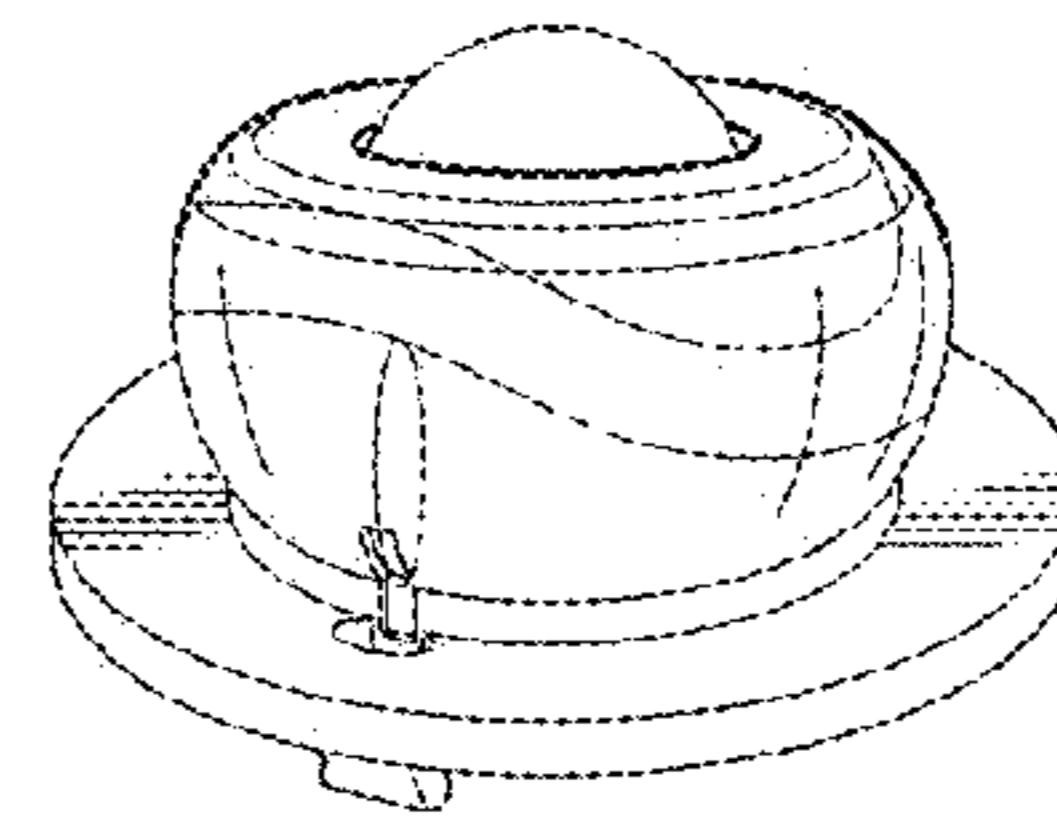


FIG. 3

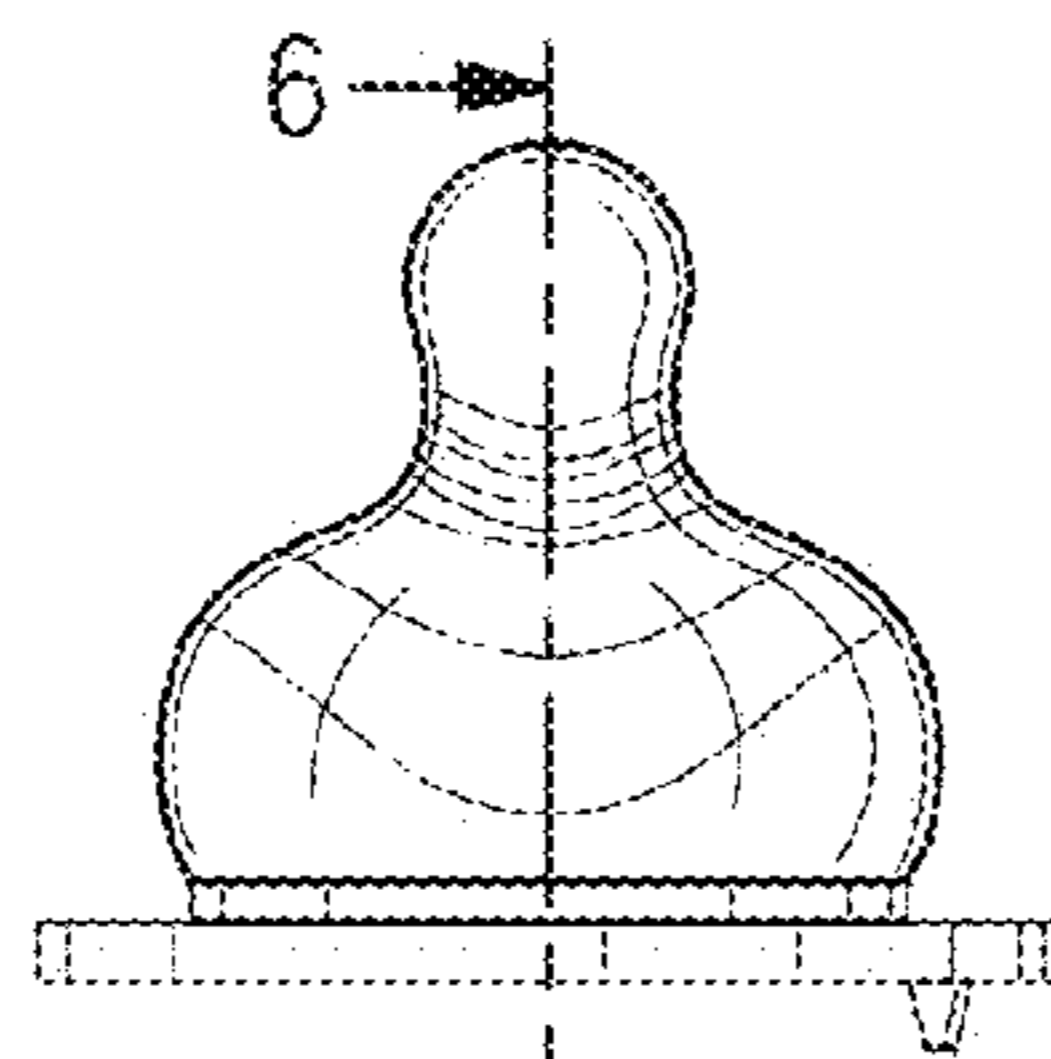


FIG. 4

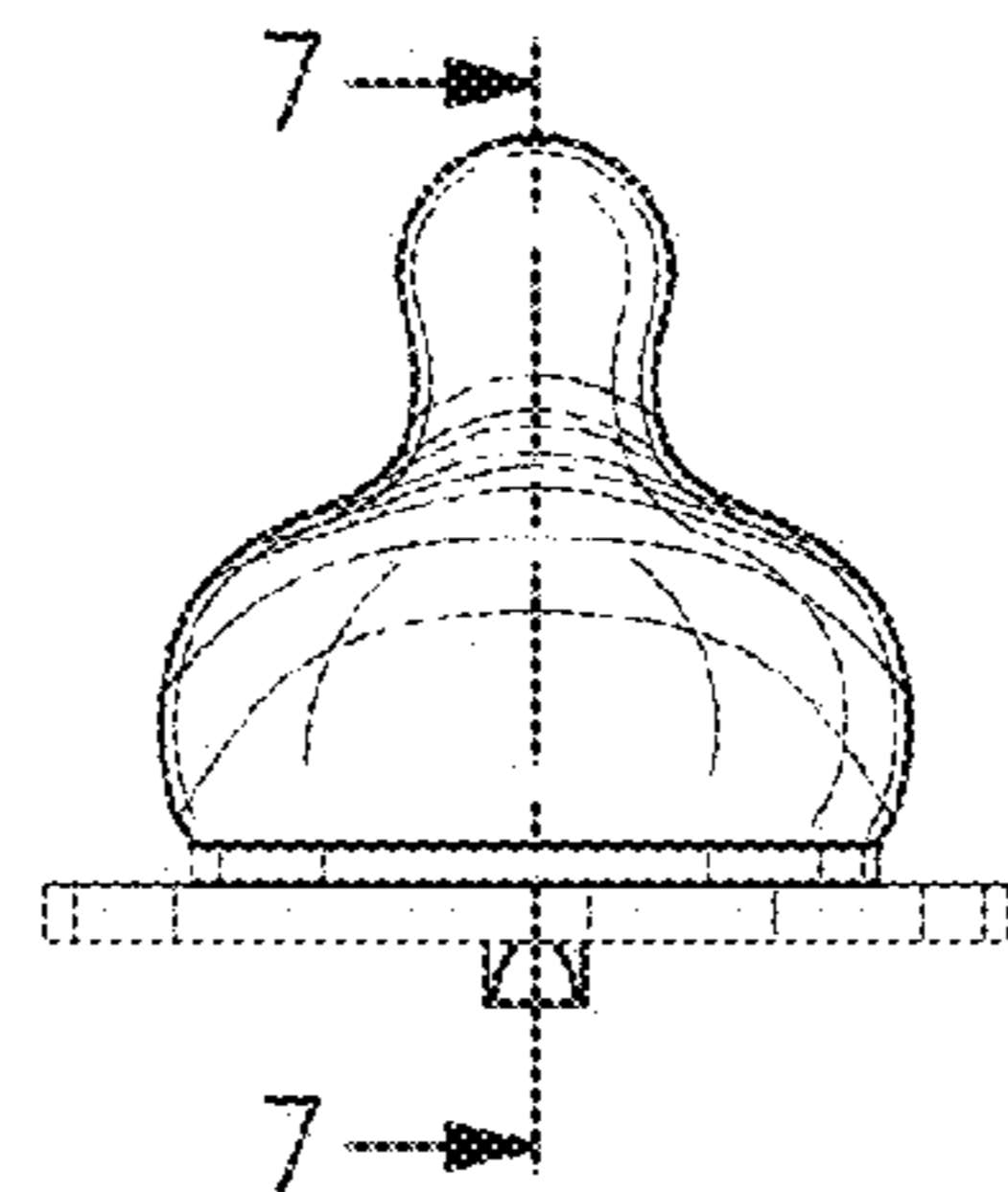


FIG. 5

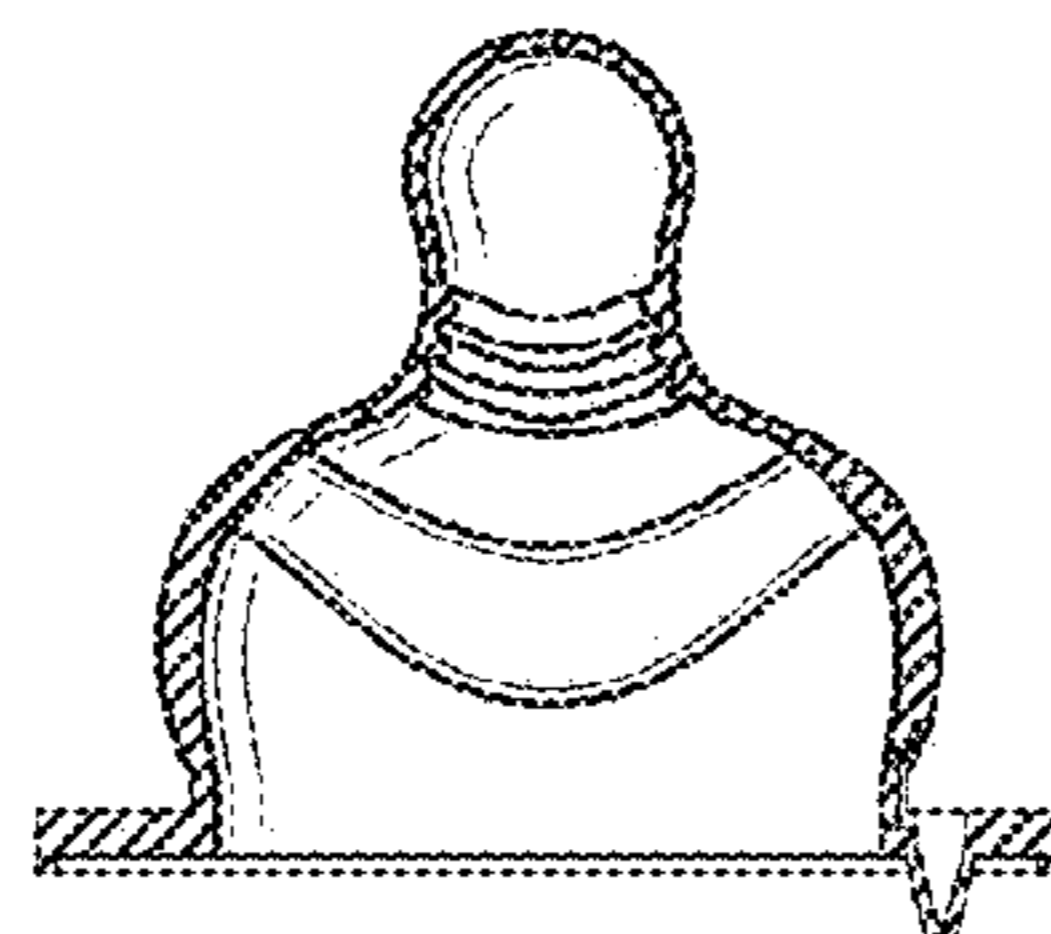


FIG. 6

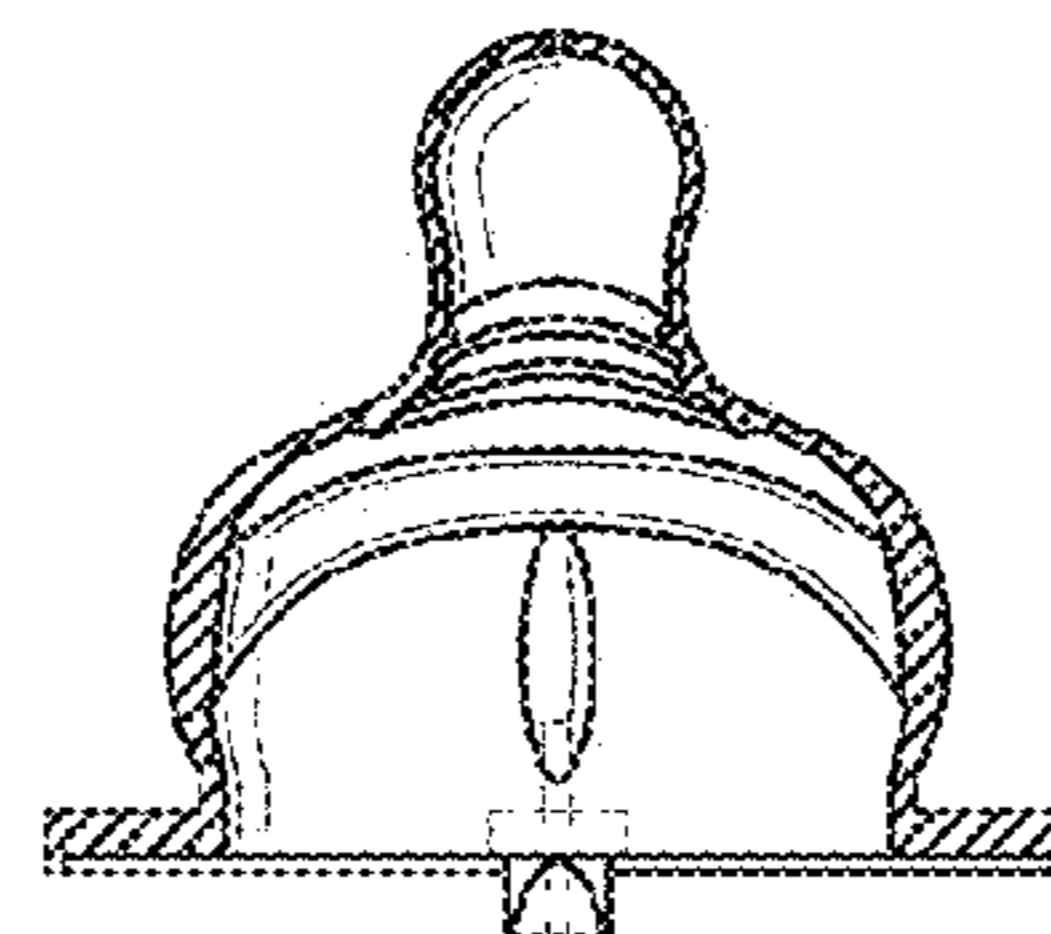


FIG. 7