



US00D720076S

(12) **United States Design Patent**
Sharps et al.

(10) **Patent No.:** **US D720,076 S**

(45) **Date of Patent:** **** Dec. 23, 2014**

- (54) **SURGICAL TABLE**
- (71) Applicant: **Operating Room Safety Enterprises, LLC, Berwyn, PA (US)**
- (72) Inventors: **Lewis Sharps, Bryn Mawr, PA (US); Tony Sanchez, Narberth, PA (US); Peter Edwards, Glenrock, PA (US)**
- (73) Assignee: **Operating Room Safety Enterprises, LLC, Berwyn, PA (US)**
- (**) Term: **14 Years**
- (21) Appl. No.: **29/447,800**
- (22) Filed: **Mar. 6, 2013**
- (51) **LOC (10) Cl.** **24-01**
- (52) **U.S. Cl.**
USPC **D24/183**
- (58) **Field of Classification Search**
CPC A61G 13/00; A61G 13/0009; A61G 13/0018; A61G 13/0027; A61G 13/0036; A61G 13/009; A61G 13/02-13/10
USPC D24/183-184, 200, 158-159; D6/382; 5/600, 601, 607-611, 614, 616, 5/621-624; 108/1, 4
See application file for complete search history.

- 4,508,387 A * 4/1985 Gilbert et al. 297/423.19
- 4,761,000 A * 8/1988 Fisher et al. 5/608
- D307,055 S 4/1990 Johnston
- 4,937,901 A 7/1990 Brennan
- 5,131,106 A 7/1992 Jackson
- D347,604 S 6/1994 Ernst et al.
- D356,527 S 3/1995 Wohnsen et al.
- 5,489,258 A 2/1996 Wohnsen et al.
- 5,528,782 A * 6/1996 Pfeuffer et al. 5/611

(Continued)

OTHER PUBLICATIONS

Allen Medical Systems, "Intraoperative Adjustment from Kyphosis to Lordosis", Announcement Allen Medical Systems, Feb. 6, 2006, pp. 1-4.

(Continued)

Primary Examiner — T. Chase Nelson
Assistant Examiner — Mark Cavanna
(74) *Attorney, Agent, or Firm* — Volpe and Koenig, P.C.

(57) **CLAIM**

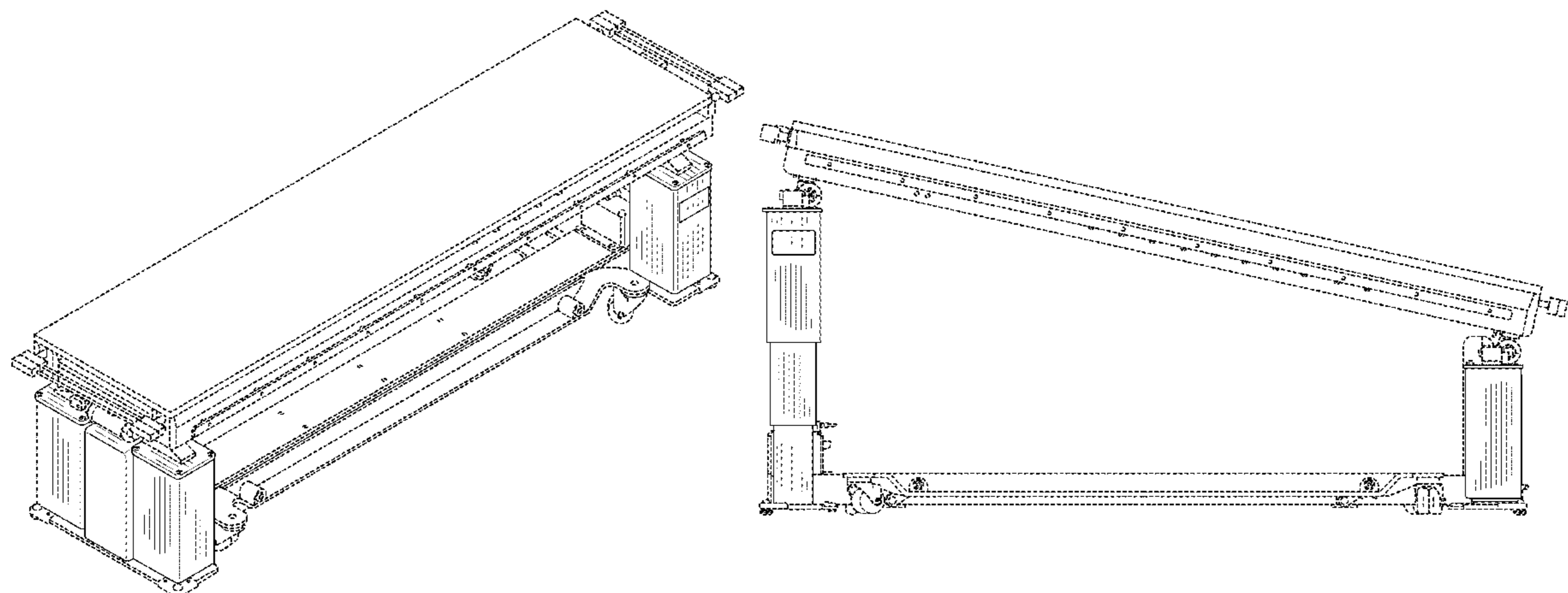
The ornamental design for a surgical table, as shown and described.

DESCRIPTION

FIG. 1 is a top-perspective-front-right-side view of a surgical table showing our new design
FIG. 2 is a front view thereof;
FIG. 3 is a rear view thereof;
FIG. 4 is a left-side view thereof;
FIG. 5 is a right-side view thereof;
FIG. 6 is a top view thereof;
FIG. 7 is a left-side view of the table in Trendelenburg position; and,
FIG. 8 is a rear view of the table in a lateral-tilted position.
The broken lines are included for the purpose of illustrating unclaimed portions of the surgical table and form no part of the claimed design.

1 Claim, 6 Drawing Sheets

- (56) **References Cited**
U.S. PATENT DOCUMENTS
3,202,218 A 8/1965 Watts et al.
3,238,539 A 3/1966 Koch
3,452,977 A * 7/1969 Ryman 5/601
D221,910 S * 9/1971 Brengold D24/183
3,750,659 A 8/1973 Loomans
3,827,089 A 8/1974 Grow
3,868,103 A * 2/1975 Pageot et al. 5/614
4,029,089 A 6/1977 Mulholland
4,195,829 A * 4/1980 Reser 5/607
4,296,761 A 10/1981 Tyo



(56)

References Cited

U.S. PATENT DOCUMENTS

5,618,055 A 4/1997 Mulholland
 5,661,859 A * 9/1997 Schaefer 5/621
 6,154,901 A 12/2000 Carr
 D439,670 S * 3/2001 Sommer D24/183
 D441,868 S * 5/2001 Rodenas Santiago
 et al. D24/183
 D453,968 S * 2/2002 Zachrisson D24/183
 6,484,334 B1 * 11/2002 Borders et al. 5/600
 6,526,610 B1 3/2003 Hand et al.
 6,832,398 B2 * 12/2004 Borders et al. 5/600
 6,941,951 B2 9/2005 Hubert et al.
 7,036,512 B2 5/2006 Harnois
 7,137,160 B2 11/2006 Hand et al.
 7,152,261 B2 12/2006 Jackson
 7,197,778 B2 4/2007 Sharps

7,343,635 B2 3/2008 Jackson
 7,343,916 B2 3/2008 Biondo et al.
 7,520,008 B2 4/2009 Wong et al.
 7,614,639 B2 11/2009 Tholkes et al.
 D612,942 S 3/2010 Verdon-Roe
 D630,330 S * 1/2011 Baba D24/159
 D701,605 S * 3/2014 Ohmukai D24/183
 2006/0242765 A1 11/2006 Skripps
 2007/0174966 A1 8/2007 Lopez-Sansalvador
 2007/0192960 A1 8/2007 Jackson
 2009/0282614 A1 11/2009 Jackson
 2010/0024128 A1 2/2010 Skripps

OTHER PUBLICATIONS

“Radiolucent Wilson Frame”, Orthopedic Systems, Inc. (OSI),
 Poster, 1998, 1 page.

* cited by examiner

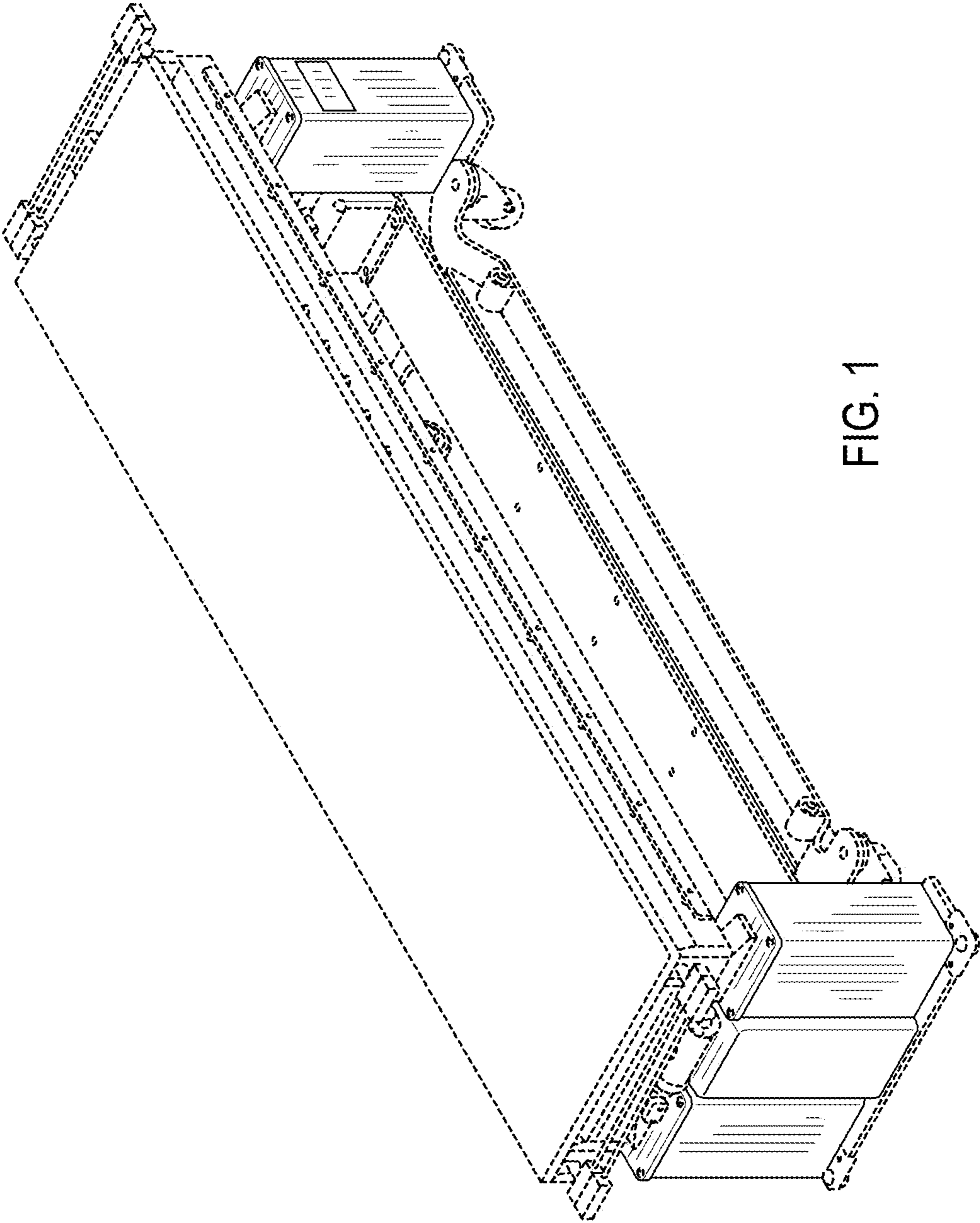


FIG. 1

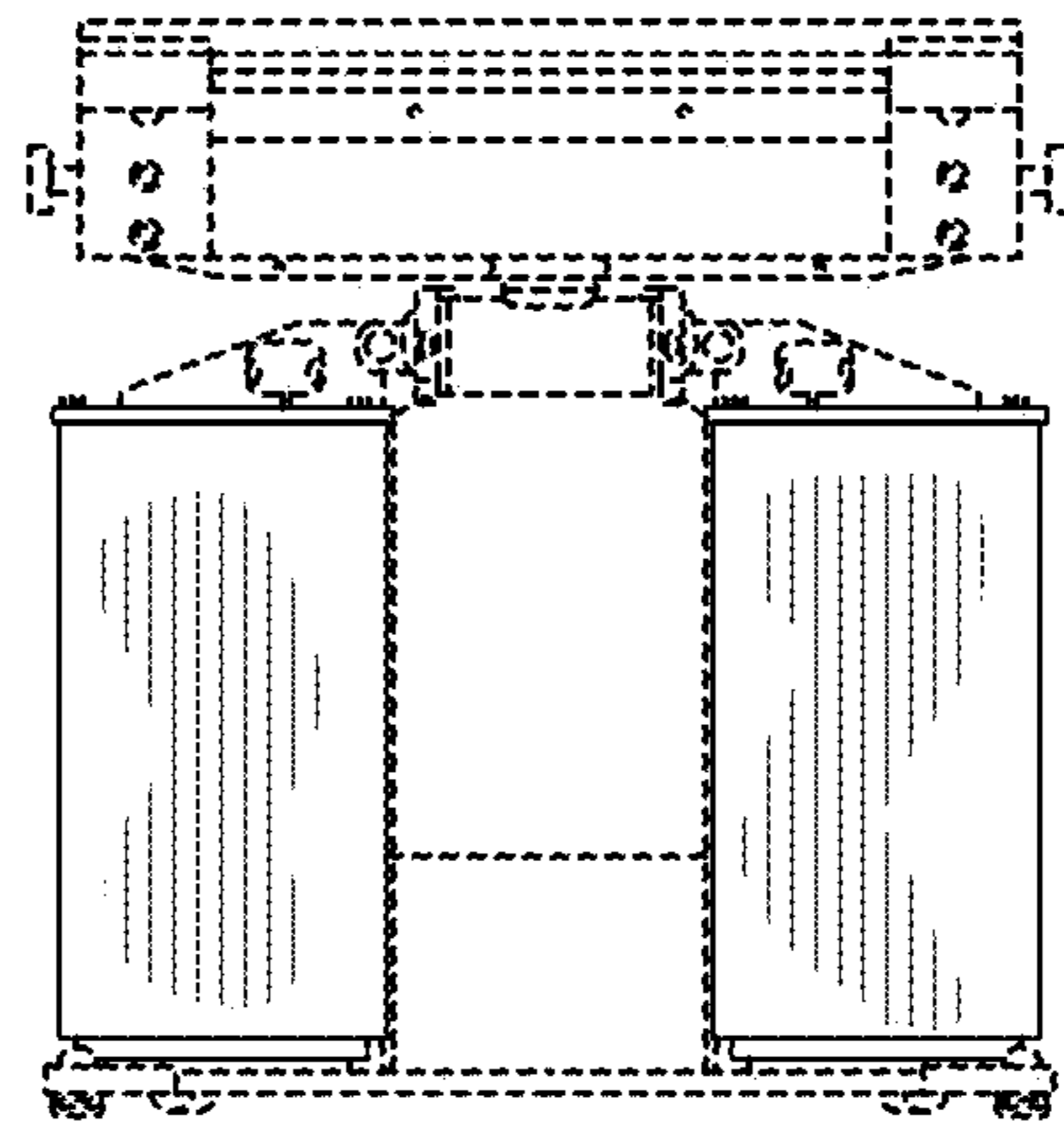


FIG. 2

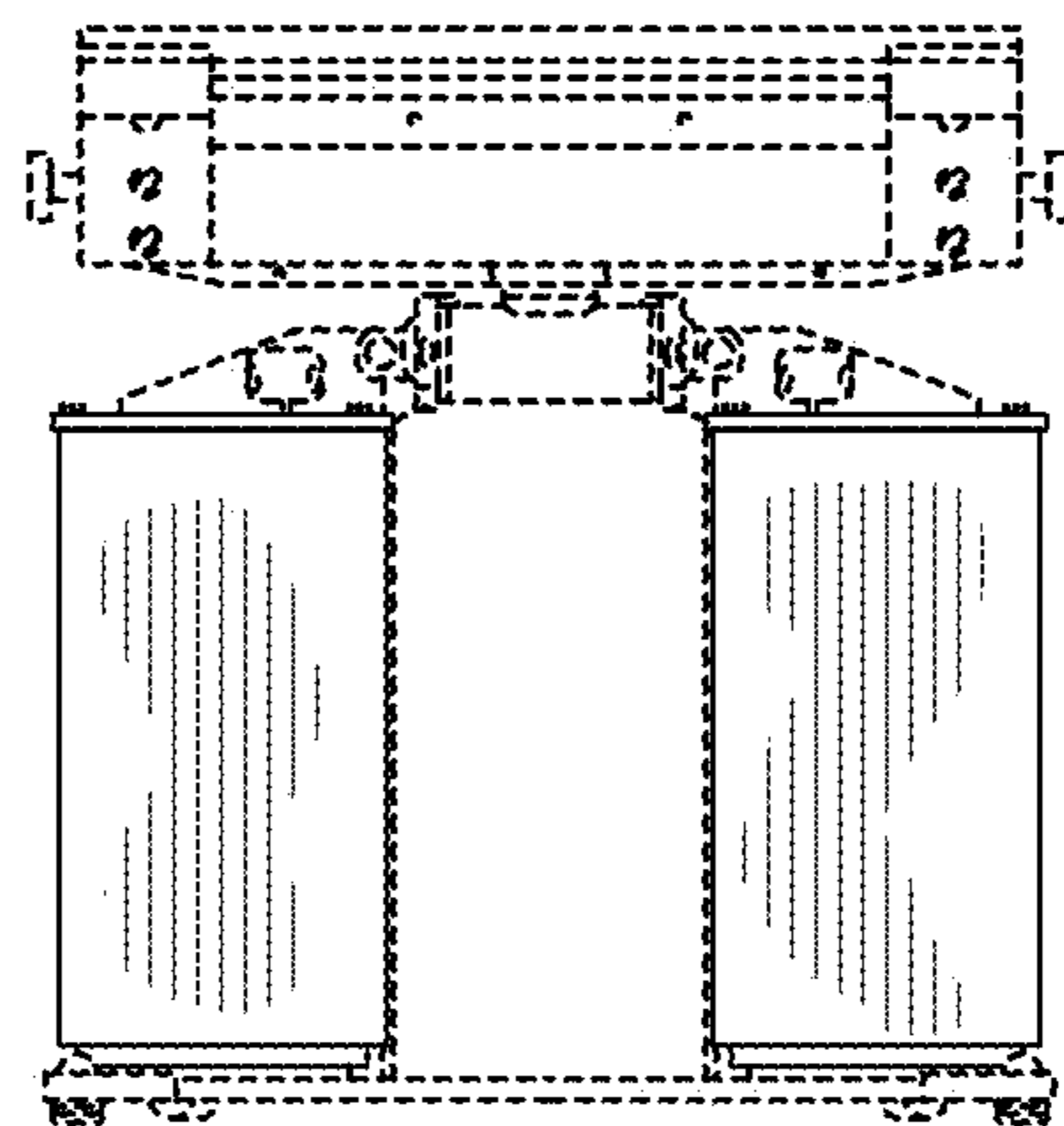


FIG. 3

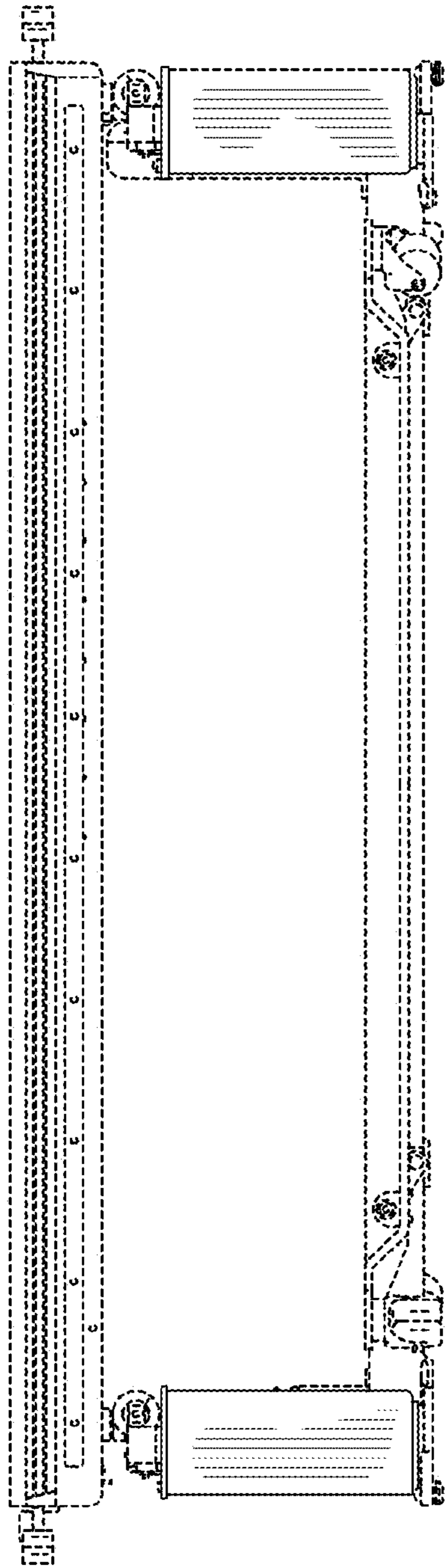


FIG. 4

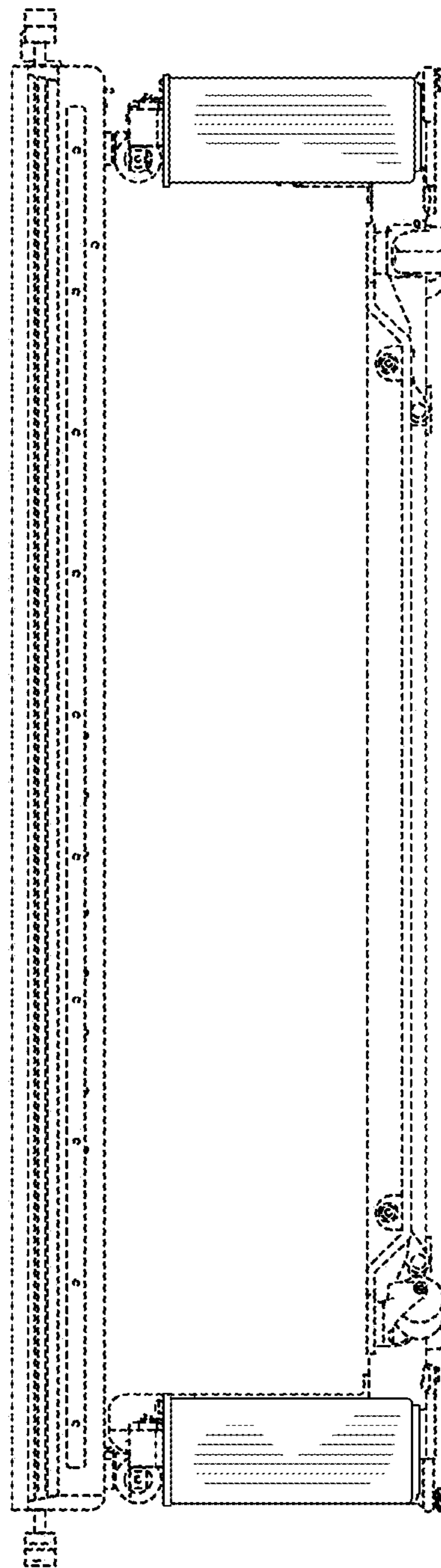


FIG. 5

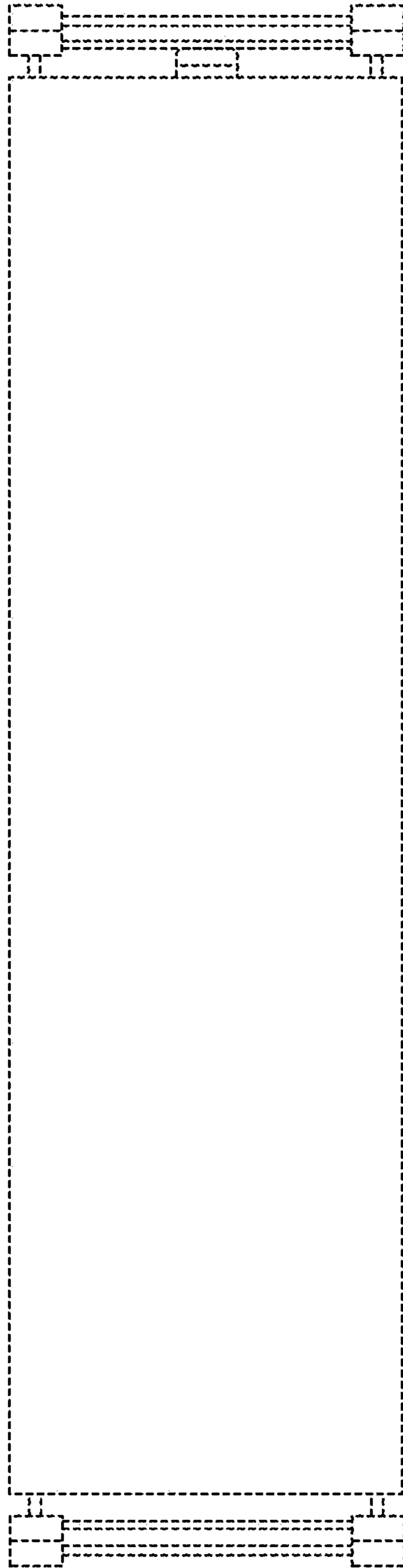


FIG. 6

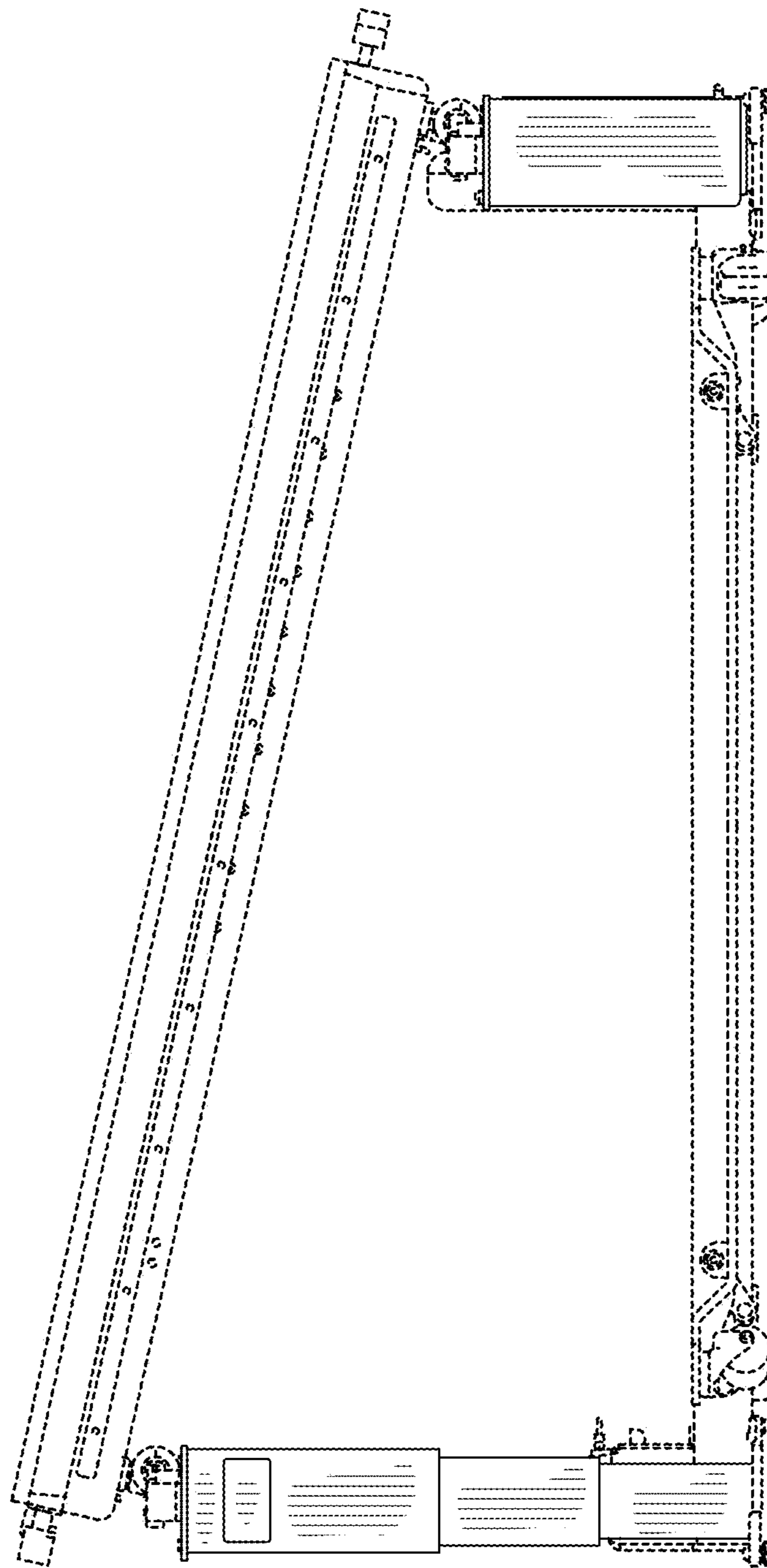


FIG. 7

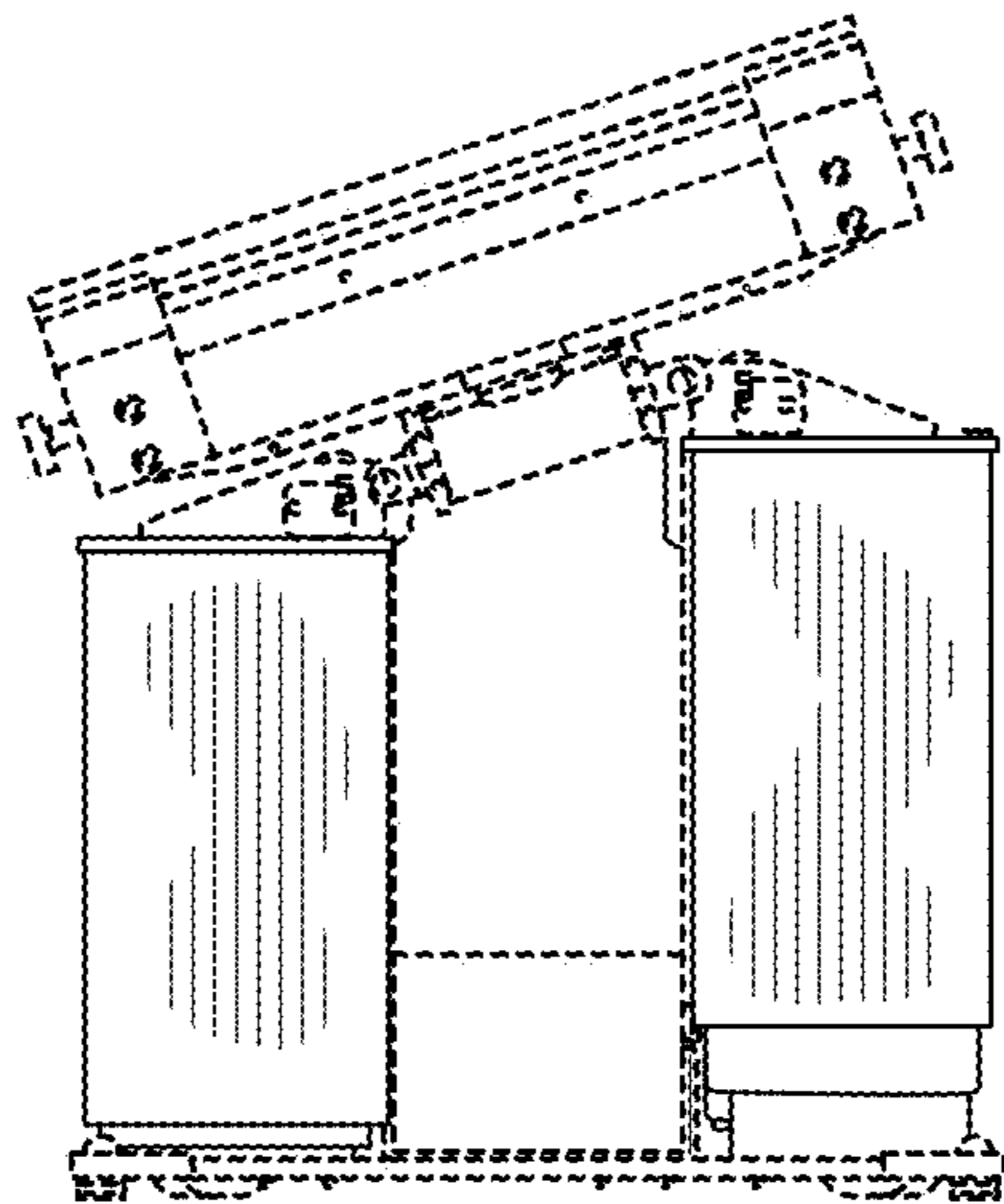


FIG. 8