



US00D720074S

(12) **United States Design Patent**
Suvilaakso et al.

(10) **Patent No.:** **US D720,074 S**

(45) **Date of Patent:** **** Dec. 23, 2014**

(54) **HEART RATE MONITOR**

(56)

References Cited

(71) Applicant: **Polar Electro Oy**, Kempele (FI)

U.S. PATENT DOCUMENTS

(72) Inventors: **Anna-Marja Suvilaakso**, Oulu (FI);
Olli Komulainen, Oulu (FI)

4,409,983	A	*	10/1983	Albert	600/503
D287,403	S	*	12/1986	Kiiski et al.	D24/167
5,485,848	A	*	1/1996	Jackson et al.	600/485
D538,687	S	*	3/2007	Komulainen	D10/70
D603,521	S	*	11/2009	Lindberg et al.	D24/187
D639,955	S	*	6/2011	Riobo Aboy et al.	D24/165
D667,126	S	*	9/2012	Cho et al.	D24/186
D672,255	S	*	12/2012	Zanella et al.	D10/32
D674,488	S	*	1/2013	McKay et al.	D24/167
D680,651	S	*	4/2013	Lumme et al.	D24/167
2005/0075577	A1	*	4/2005	Chen	600/509
2012/0168471	A1	*	7/2012	Wilson	224/152

(73) Assignee: **Polar Electro Oy**, Kempele (FI)

(**) Term: **14 Years**

* cited by examiner

(21) Appl. No.: **29/476,153**

Primary Examiner — Anhdao Doan

(22) Filed: **Dec. 11, 2013**

(74) *Attorney, Agent, or Firm* — Hoffmann & Baron, LLP

(30) **Foreign Application Priority Data**

Jun. 11, 2013 (EM) 002253286-0001
Jun. 11, 2013 (EM) 002253286-0002

(57) **CLAIM**

The ornamental design for a heart rate monitor, as shown and described.

(51) **LOC (10) Cl.** **24-01**

(52) **U.S. Cl.**
USPC **D24/167**

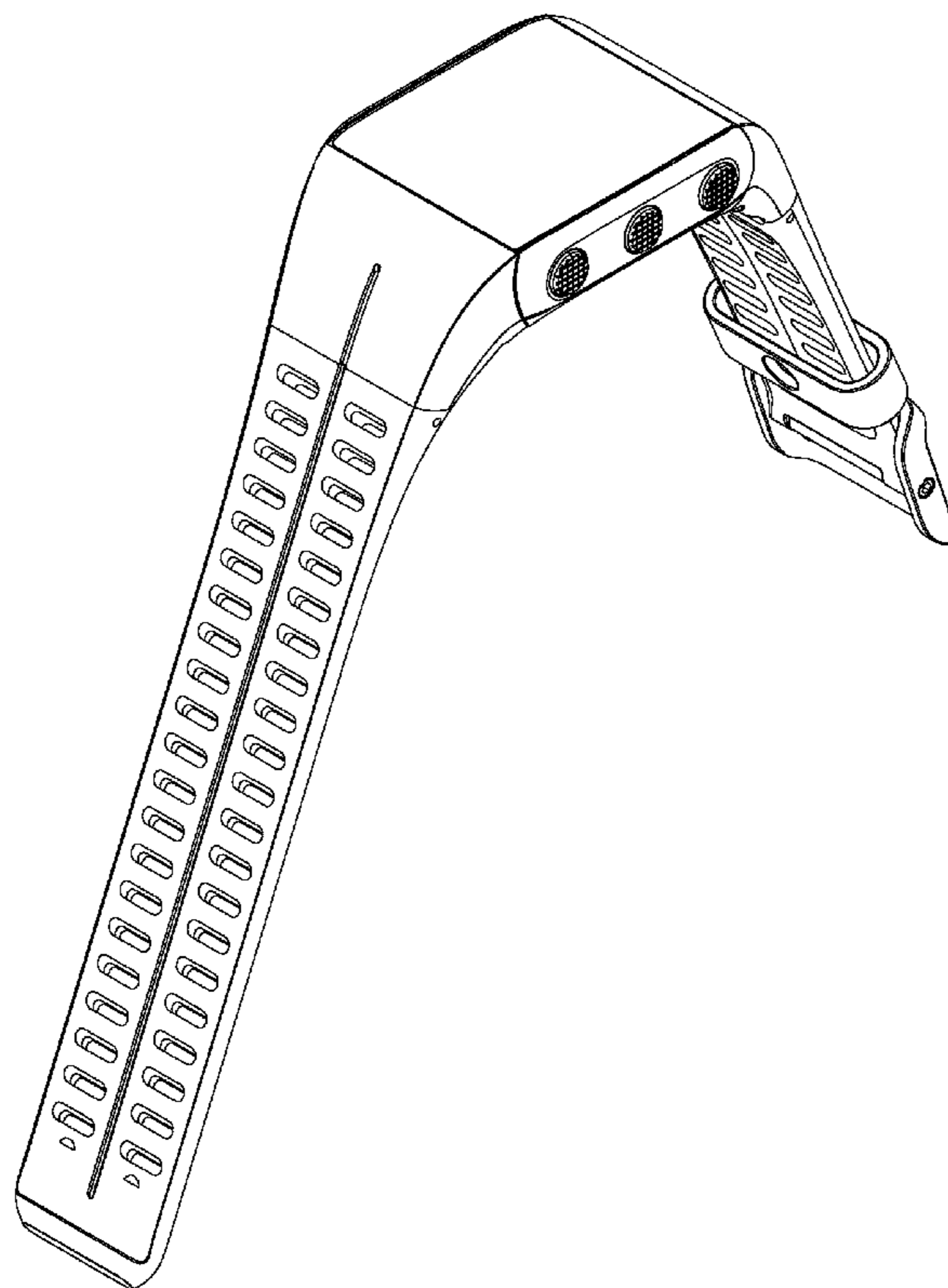
DESCRIPTION

(58) **Field of Classification Search**
USPC D24/165–168, 186, 187; D10/31, 32,
D10/38, 46, 70, 98; 600/301, 382, 390, 483,
600/500–503, 508, 509, 513

FIG. 1 is an isometric view of a heart rate monitor;
FIG. 2 is another isometric view thereof;
FIG. 3 is a left side view thereof;
FIG. 4 is a front view thereof;
FIG. 5 is a right side view thereof;
FIG. 6 is an end view thereof; and,
FIG. 7 is a rear view thereof.

See application file for complete search history.

1 Claim, 7 Drawing Sheets



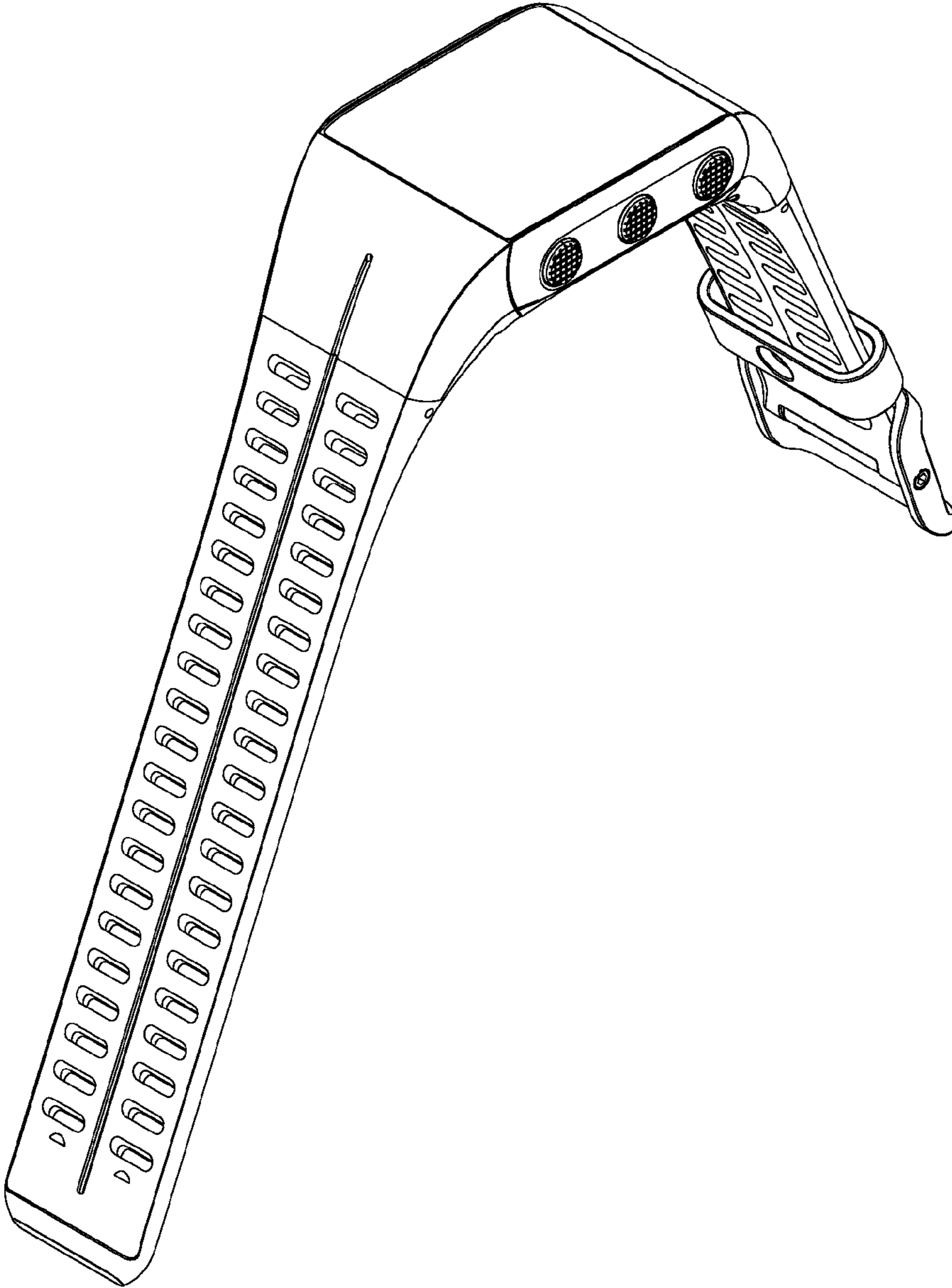


FIG. 1

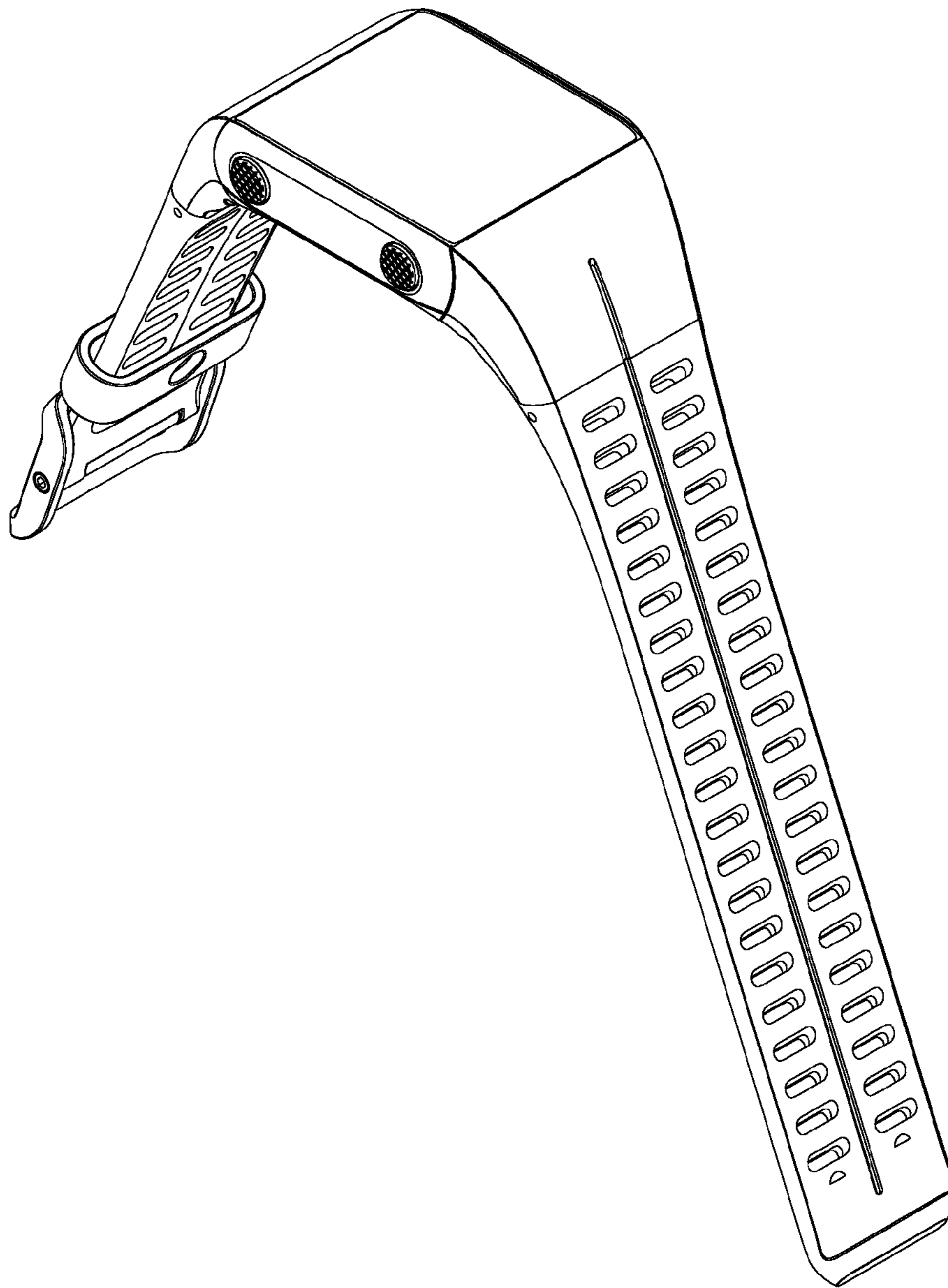


FIG. 2

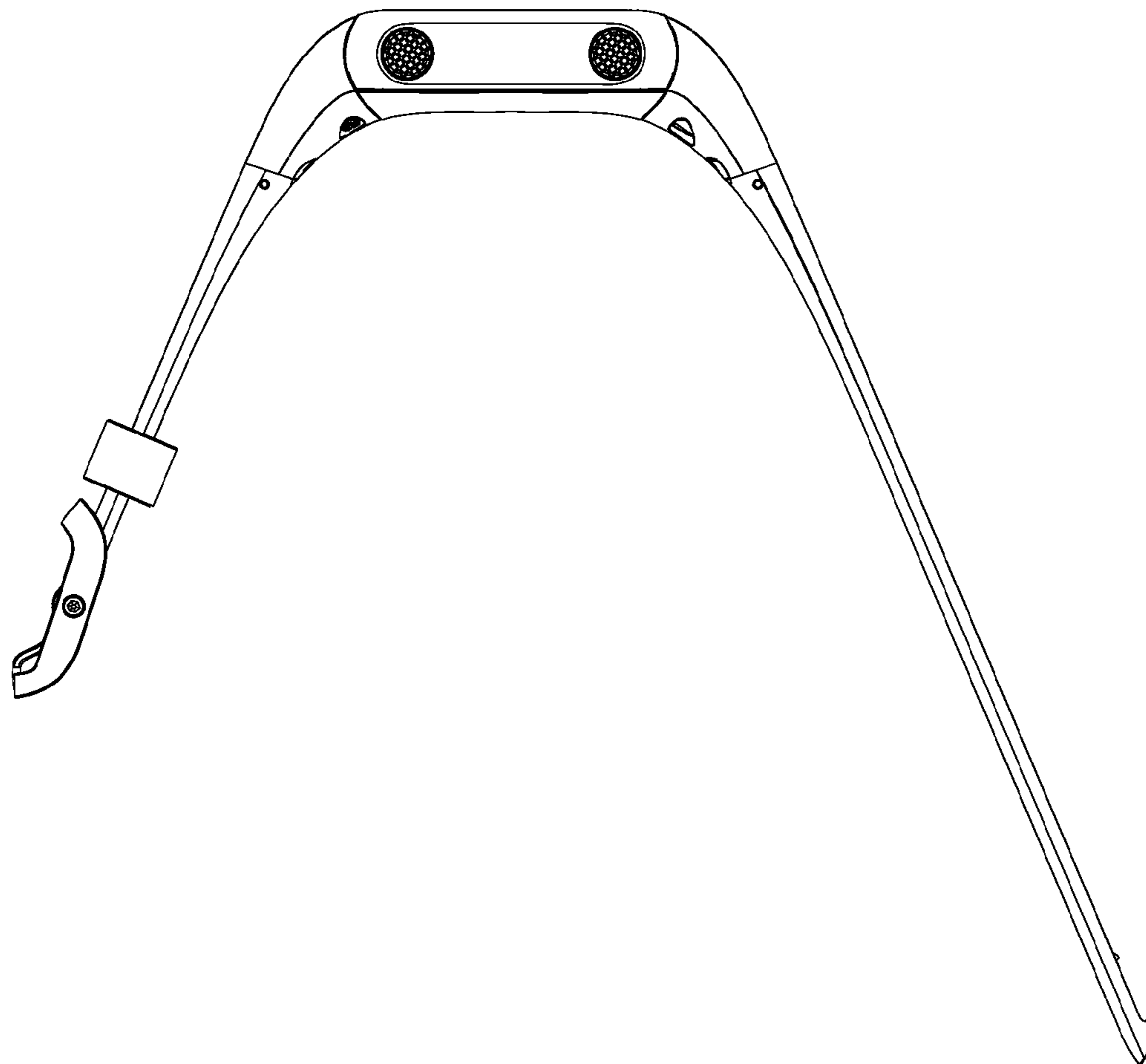


FIG. 3

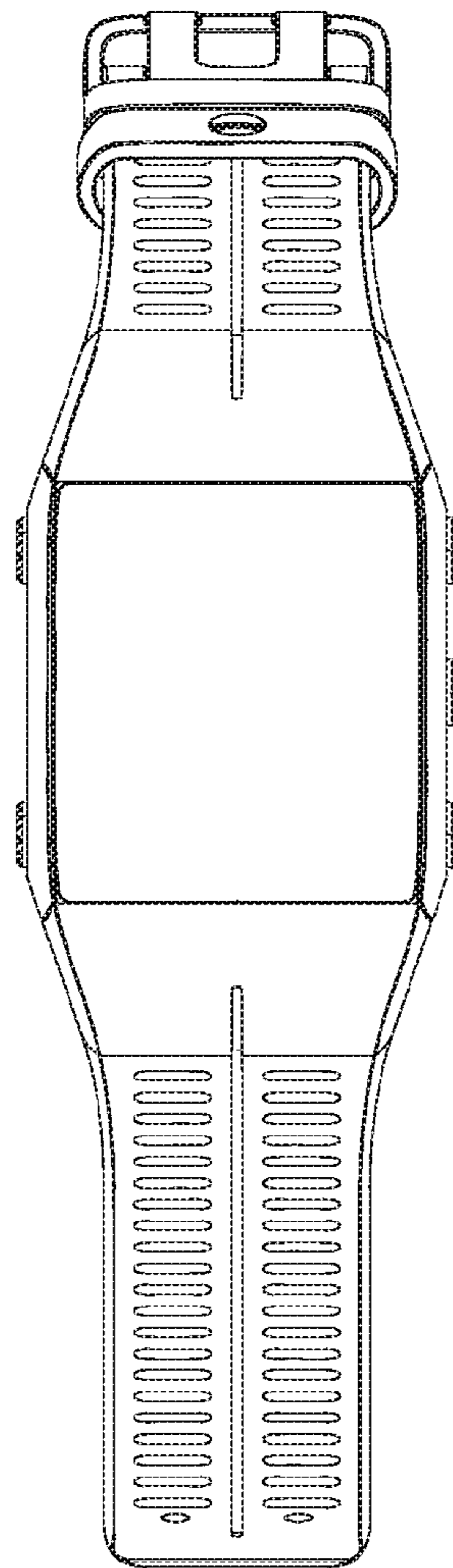


FIG. 4

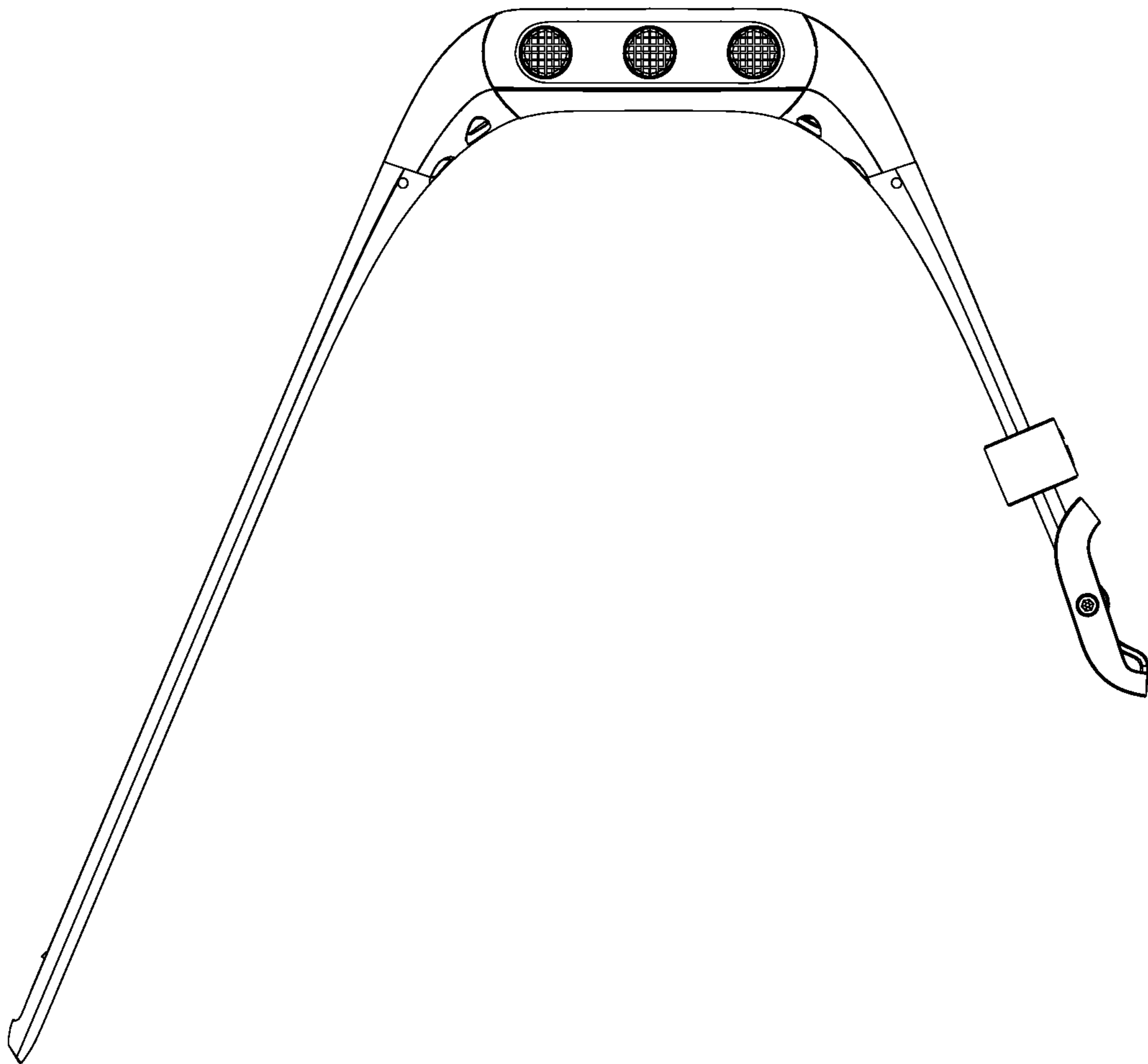


FIG. 5

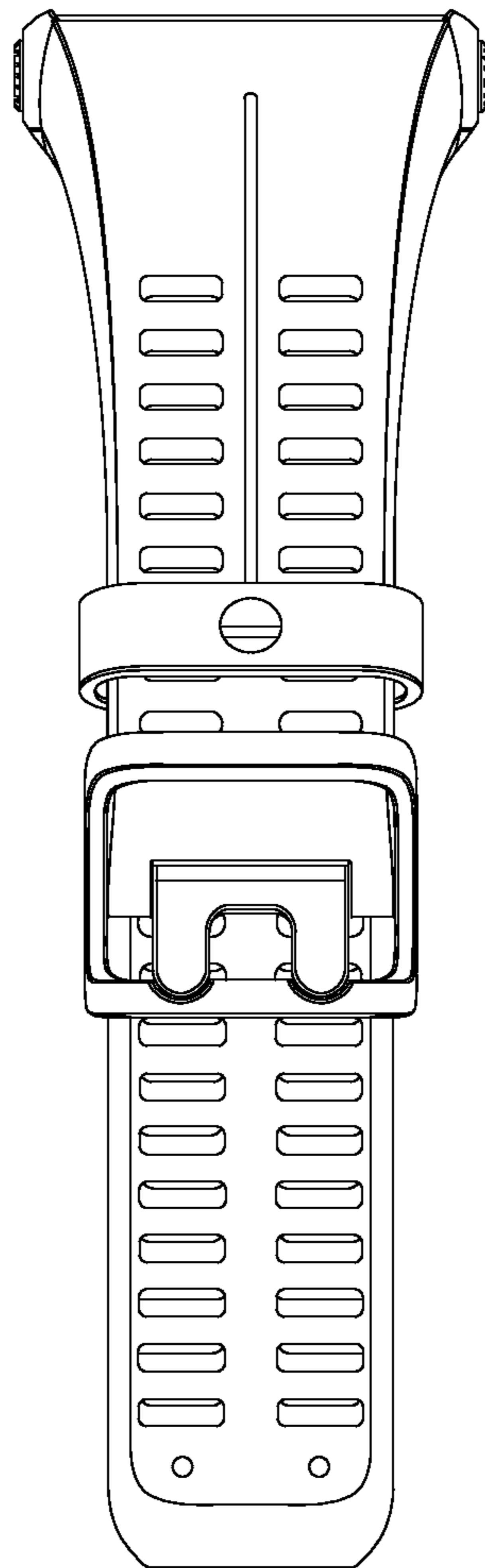


FIG. 6

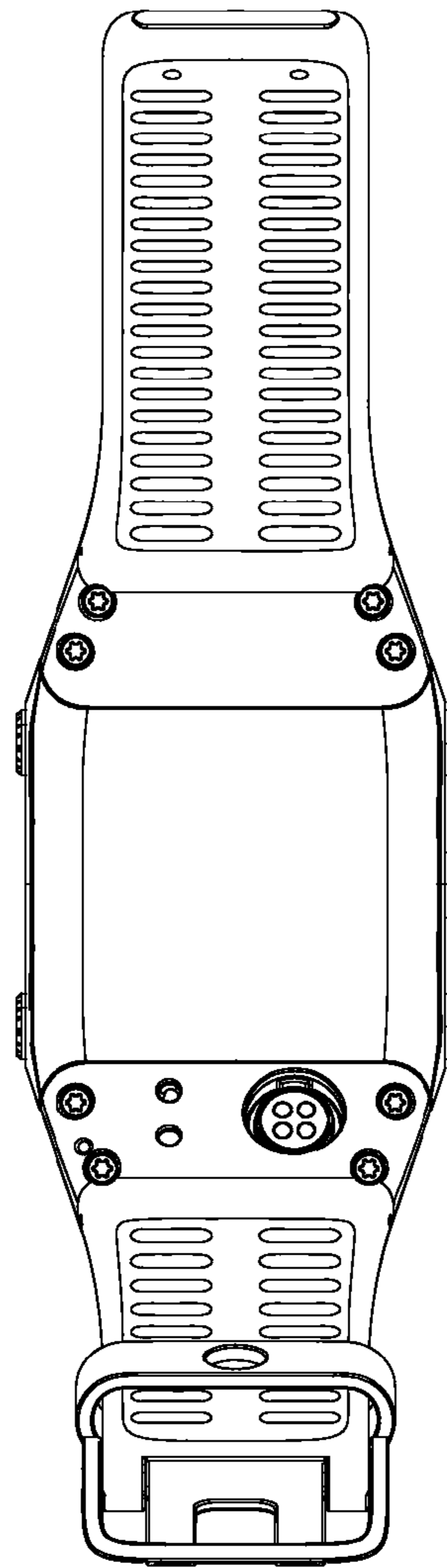


FIG. 7