



US00D720072S

(12) **United States Design Patent**  
**Cheney et al.**

(10) **Patent No.:** **US D720,072 S**

(45) **Date of Patent:** **\*\* Dec. 23, 2014**

- (54) **ORTHOPEdic IMPLANT**
- (71) Applicants: **Daniel F. Cheney**, San Antonio, TX  
(US); **Eric A. Marcano**, San Antonio,  
TX (US)
- (72) Inventors: **Daniel F. Cheney**, San Antonio, TX  
(US); **Eric A. Marcano**, San Antonio,  
TX (US)
- (73) Assignee: **BioMedical Enterprises, Inc.**, San  
Antonio, TX (US)
- (\*\*) Term: **14 Years**
- (21) Appl. No.: **29/442,328**
- (22) Filed: **Feb. 6, 2013**
- (51) **LOC (10) Cl.** ..... **24-02**
- (52) **U.S. Cl.**  
USPC ..... **D24/155**
- (58) **Field of Classification Search**  
USPC ..... D24/155, 156, 133; 623/17.11, 17.15,  
623/17.16, 17.12, 18.11, 20.21, 21.13;  
606/90, 86 A, 62, 63, 99, 309, 86 R, 300  
See application file for complete search history.

8,262,712	B2	9/2012	Coilard-Lavirotte et al.	
8,394,097	B2 *	3/2013	Peyrot et al. ....	606/62
8,475,456	B2 *	7/2013	Augoyard et al. ....	606/62
8,834,483	B2 *	9/2014	Cheney et al. ....	606/99
8,834,572	B2 *	9/2014	Averous et al. ....	623/18.11
2005/0283159	A1	12/2005	Amara	
2006/0084998	A1 *	4/2006	Levy et al. ....	606/63
2008/0177262	A1	7/2008	Augoyard et al.	
2010/0131014	A1	5/2010	Peyrot et al.	

**OTHER PUBLICATIONS**

BME Sales Brochure covering Nitinol Intramedullary Fixation System introduced Mar. 4, 2010.

\* cited by examiner

*Primary Examiner* — Ian Simmons

*Assistant Examiner* — Charles Hanson

(74) *Attorney, Agent, or Firm* — Christopher L. Makay

(57) **CLAIM**

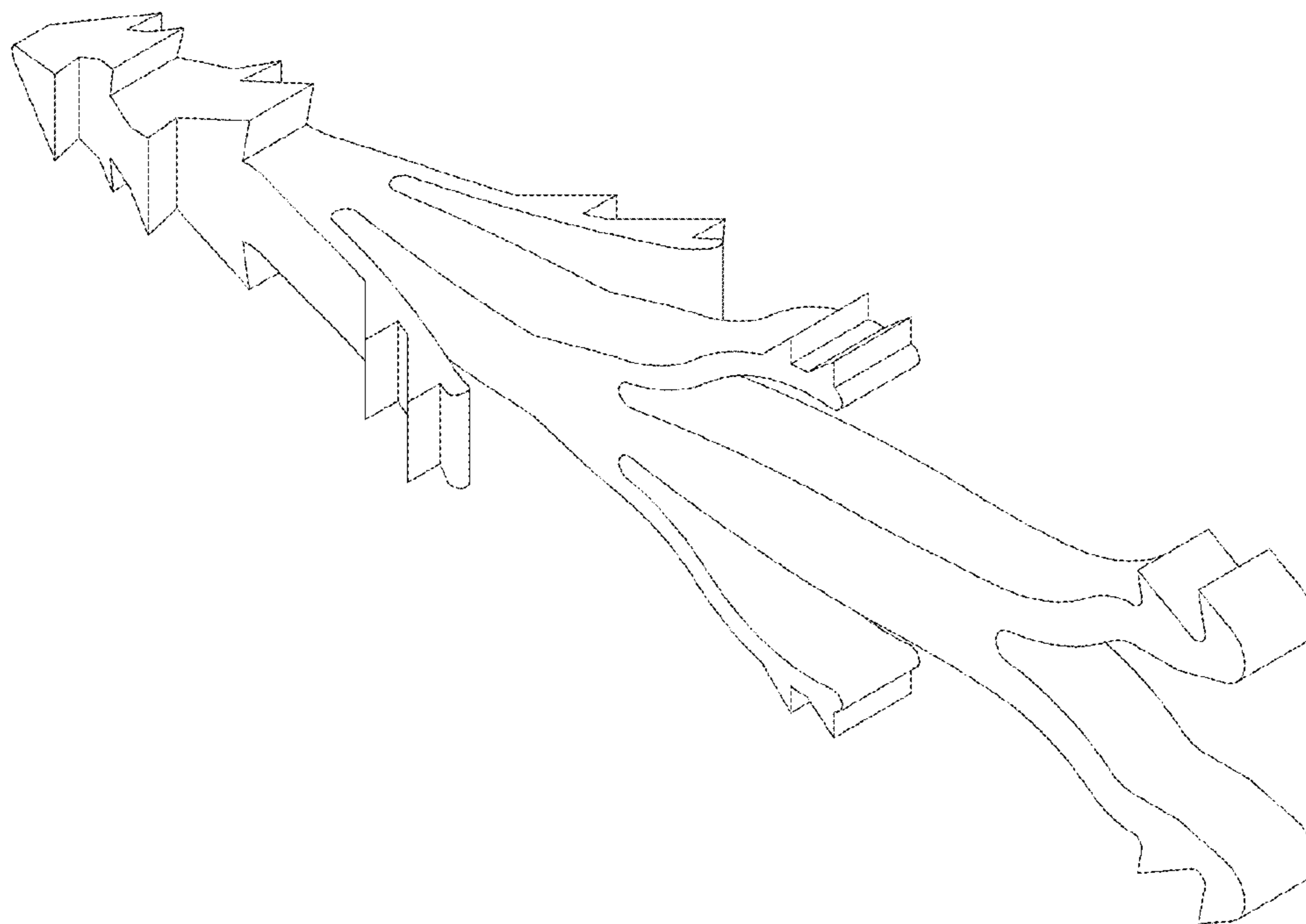
The ornamental design for an orthopedic implant, as shown and described.

**DESCRIPTION**

FIG. 1 is a left side view of the orthopedic implant;  
FIG. 2 is a right side view thereof;  
FIG. 3 is a left end view thereof;  
FIG. 4 is a right end view thereof;  
FIG. 5 is a top view thereof;  
FIG. 6 is a bottom view thereof; and,  
FIG. 7 is a perspective view thereof.

**1 Claim, 6 Drawing Sheets**

- (56) **References Cited**  
U.S. PATENT DOCUMENTS
- 4,259,752 A \* 4/1981 Taleisnik ..... 623/21.13
- D292,124 S \* 9/1987 Roden et al. .... D24/156
- D292,125 S \* 9/1987 Roden et al. .... D24/156
- 7,041,106 B1 \* 5/2006 Carver et al. .... 606/309
- 7,588,603 B2 \* 9/2009 Leonard ..... 623/20.21



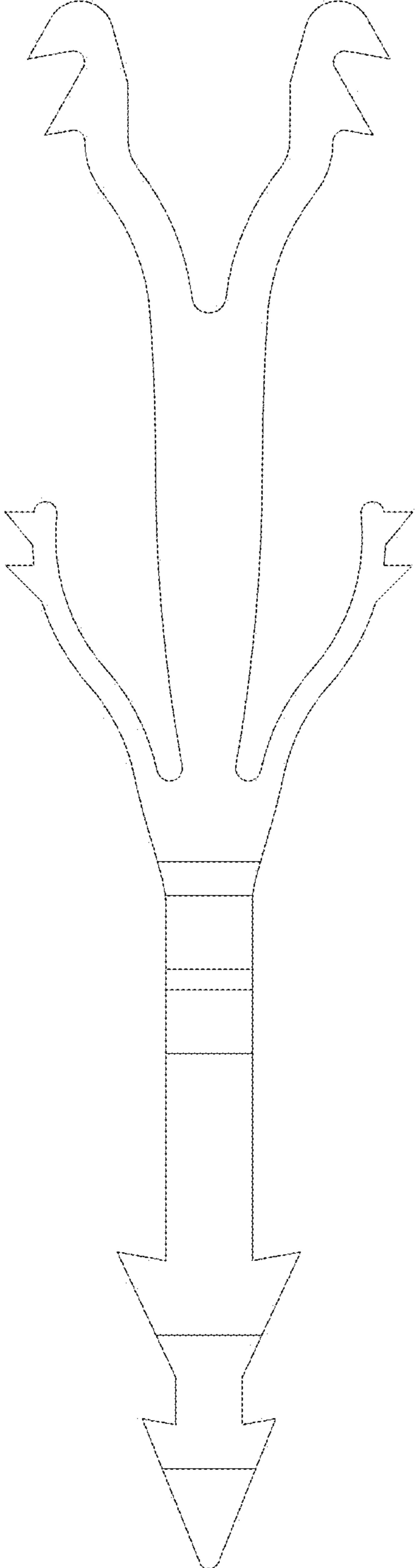


FIG 1

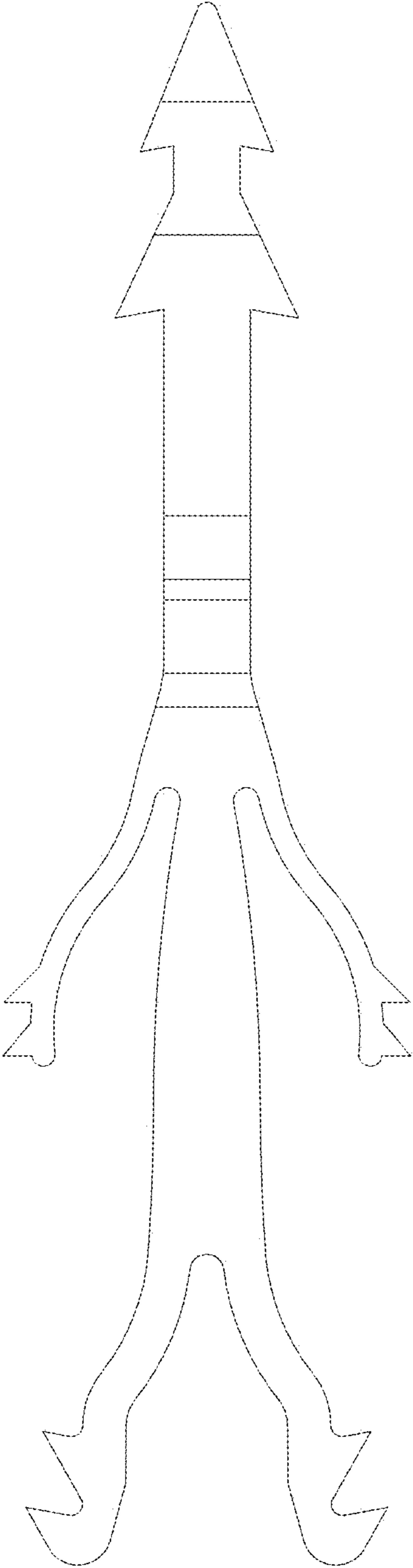


FIG 2

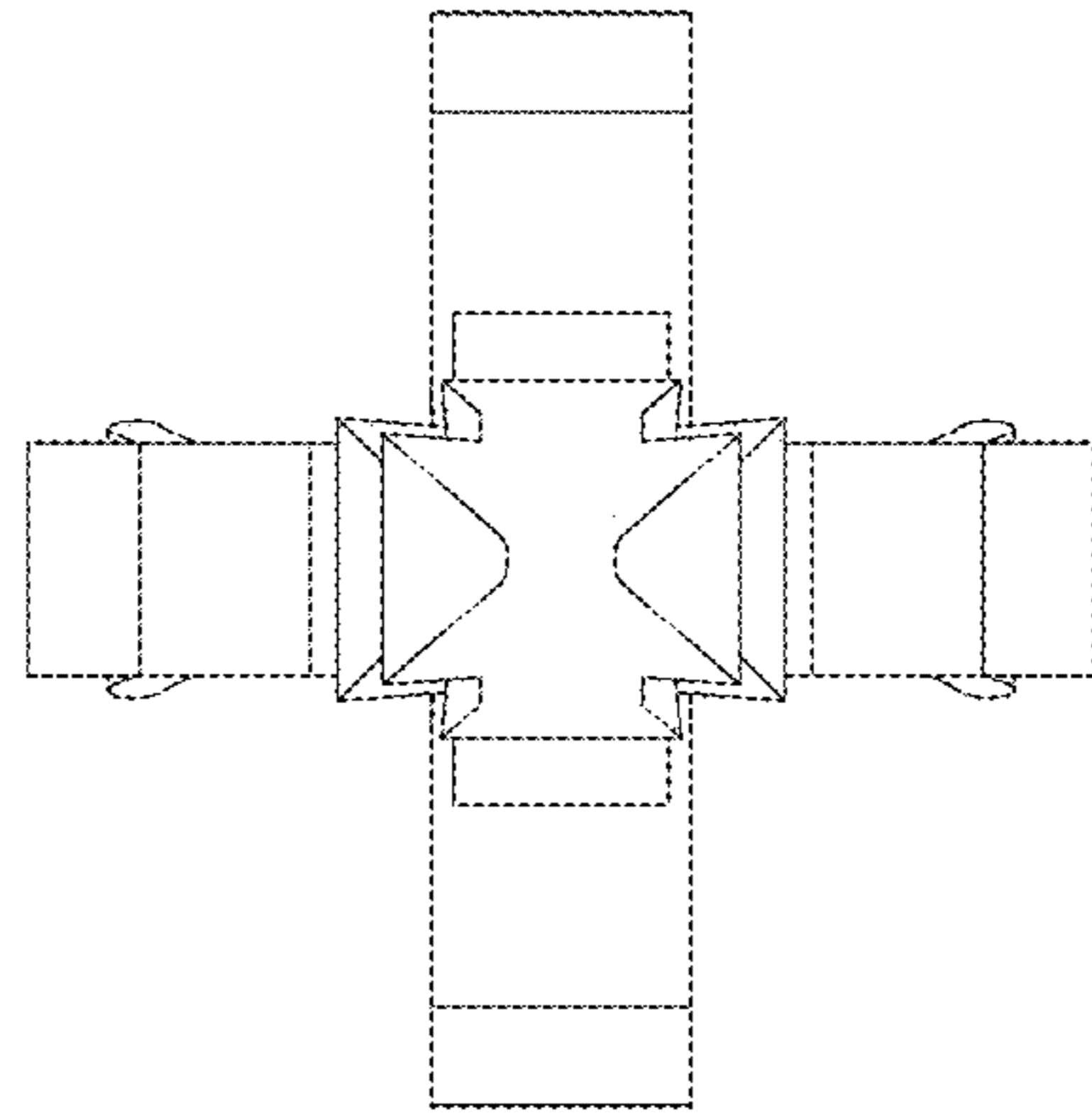


FIG 3

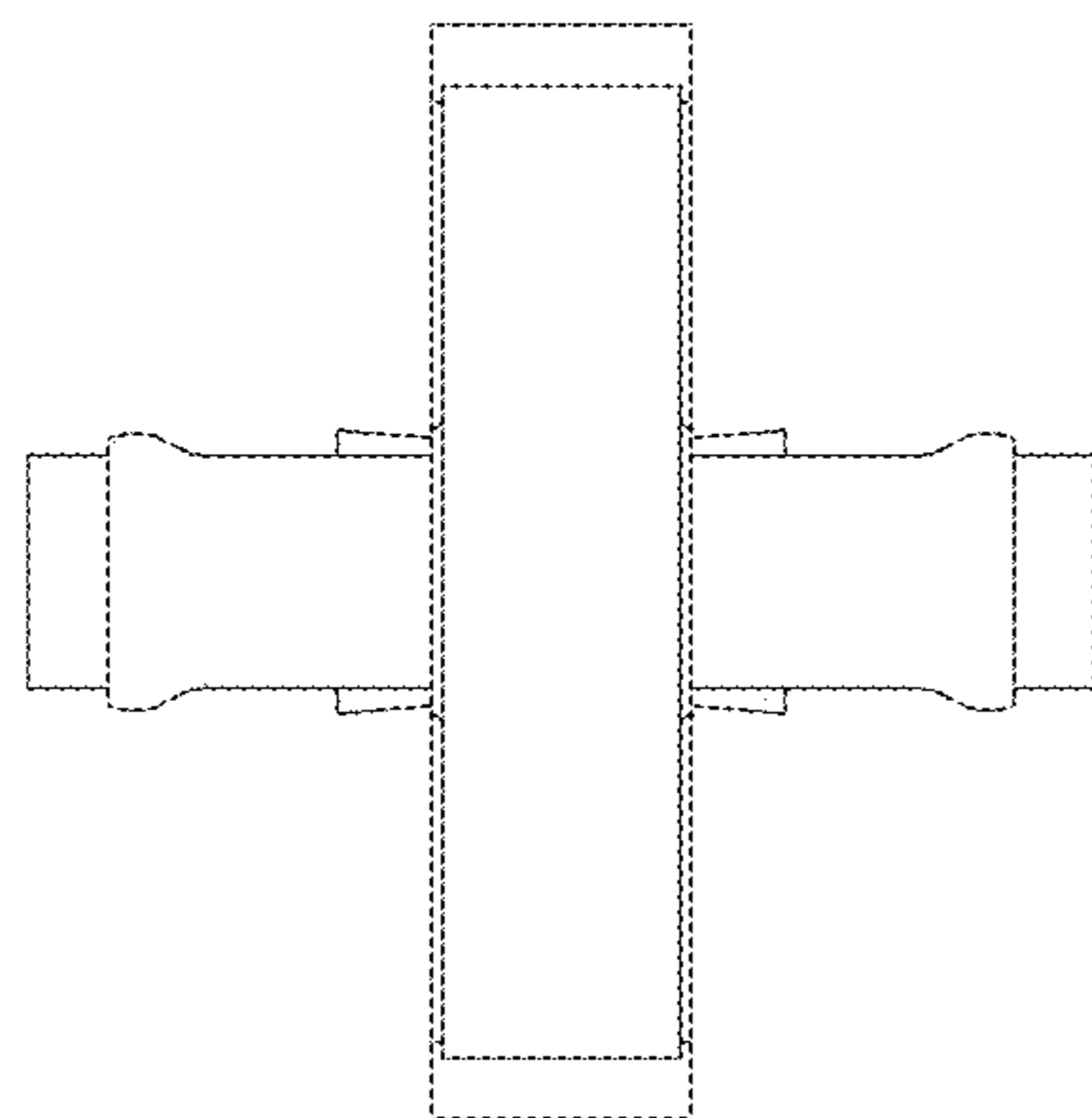


FIG 4

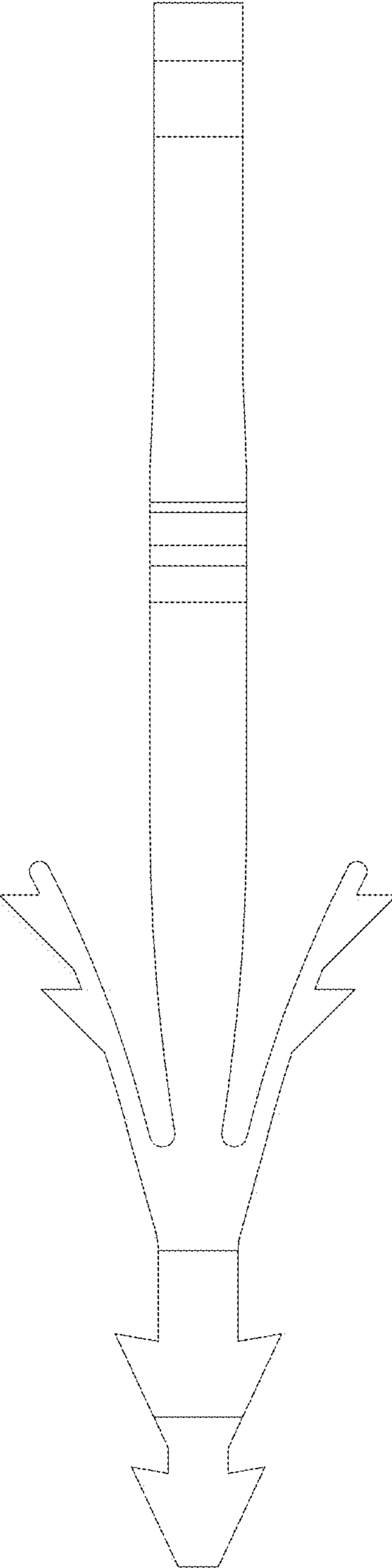


FIG 5

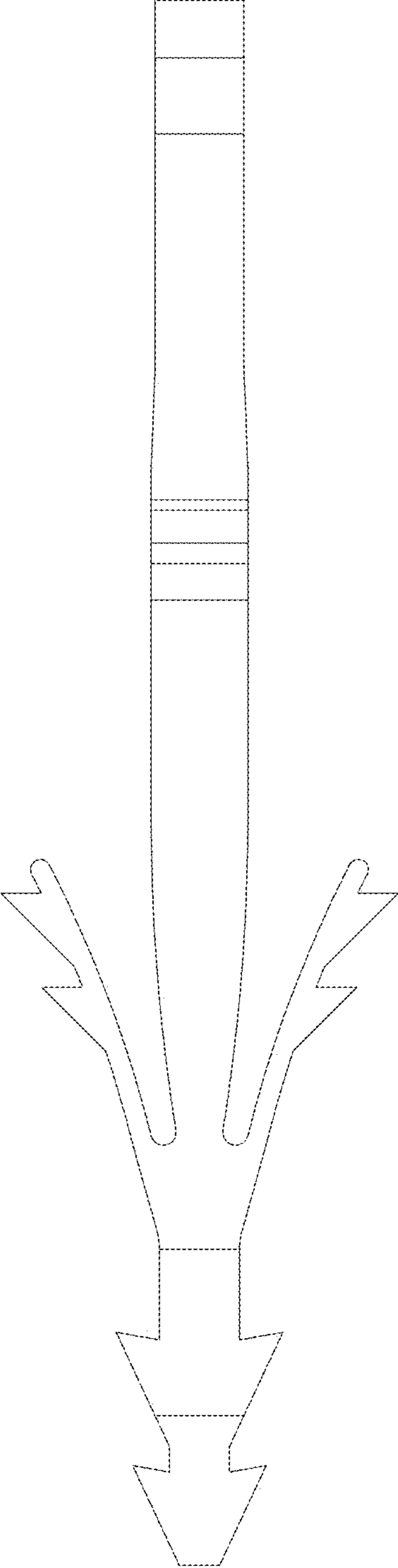


FIG 6

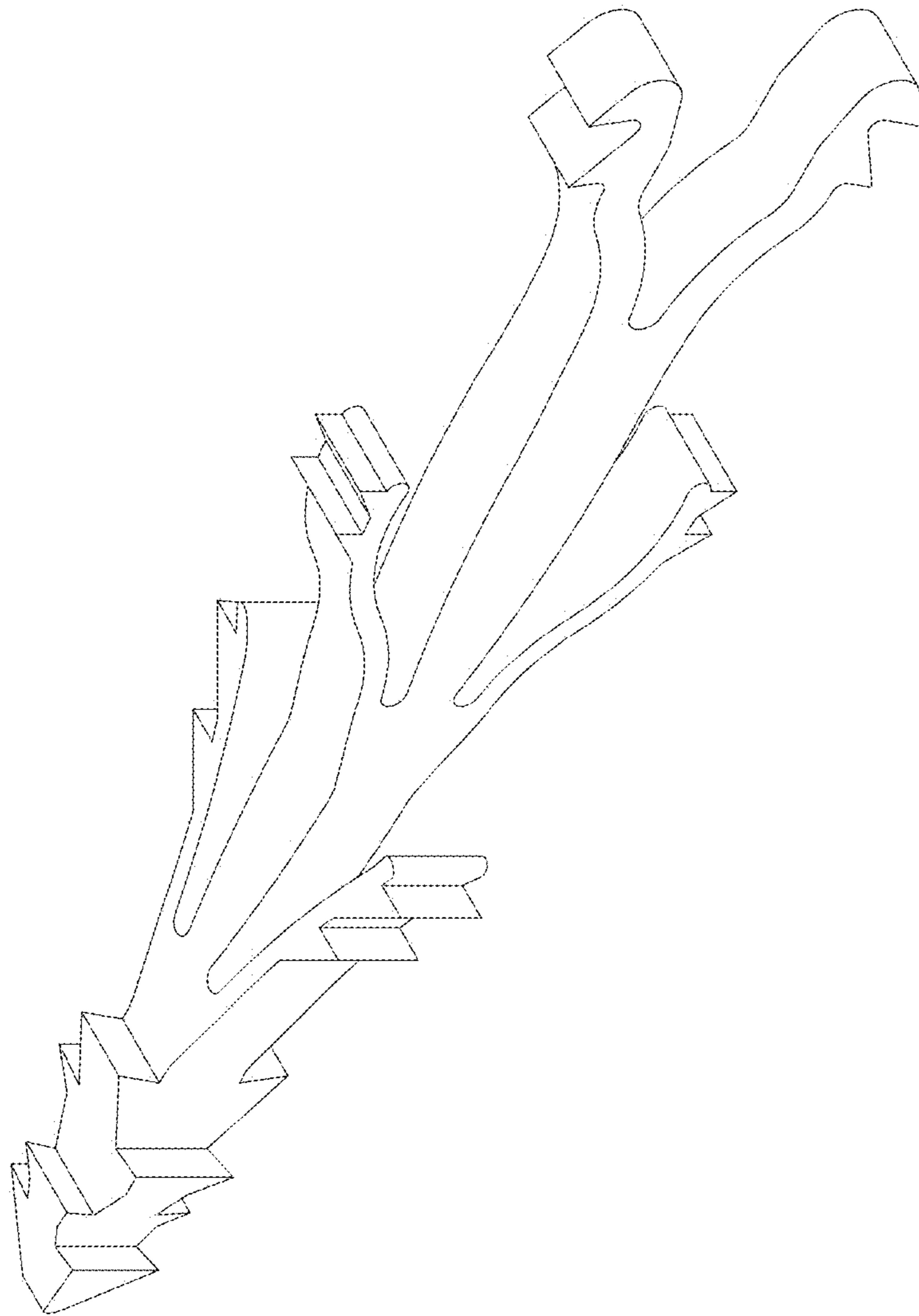


FIG 7