



US00D720070S

(12) **United States Design Patent**  
**Khalaj**

(10) **Patent No.:** **US D720,070 S**

(45) **Date of Patent:** **\*\* \*Dec. 23, 2014**

(54) **SURGICAL INSTRUMENT HANDLE**

(71) Applicant: **Ben M. Khalaj**, Lake Forest, CA (US)

(72) Inventor: **Ben M. Khalaj**, Lake Forest, CA (US)

(\*) Notice: This patent is subject to a terminal disclaimer.

(\*\*) Term: **14 Years**

(21) Appl. No.: **29/442,266**

(22) Filed: **Jan. 16, 2013**

(51) **LOC (10) Cl.** ..... **24-02**

(52) **U.S. Cl.**  
USPC ..... **D24/144; D24/133**

(58) **Field of Classification Search**  
USPC ..... D24/133, 144, 146-147, 108, 112;  
D8/80, 83, 94, 107; 606/1, 39-41,  
606/45-50, 167, 170  
See application file for complete search history.

(56) **References Cited**

**U.S. PATENT DOCUMENTS**

- 4,705,038 A \* 11/1987 Sjostrom et al. .... D24/146
- RE34,556 E \* 3/1994 Sjostrom et al. .... 606/170
- 5,318,565 A \* 6/1994 Kuriloff et al. .... 606/49
- 5,836,944 A \* 11/1998 Cosmescu ..... 606/41

- D440,310 S \* 4/2001 Laks et al. .... D24/133
- 6,312,441 B1 \* 11/2001 Deng ..... 606/170
- 7,887,559 B2 \* 2/2011 Deng et al. .... 606/170
- 8,109,956 B2 \* 2/2012 Shadeck ..... 606/167
- D674,479 S \* 1/2013 Merchant et al. .... D24/108
- D679,014 S \* 3/2013 Jayaraj ..... D24/144

\* cited by examiner

*Primary Examiner* — Wan Laymon

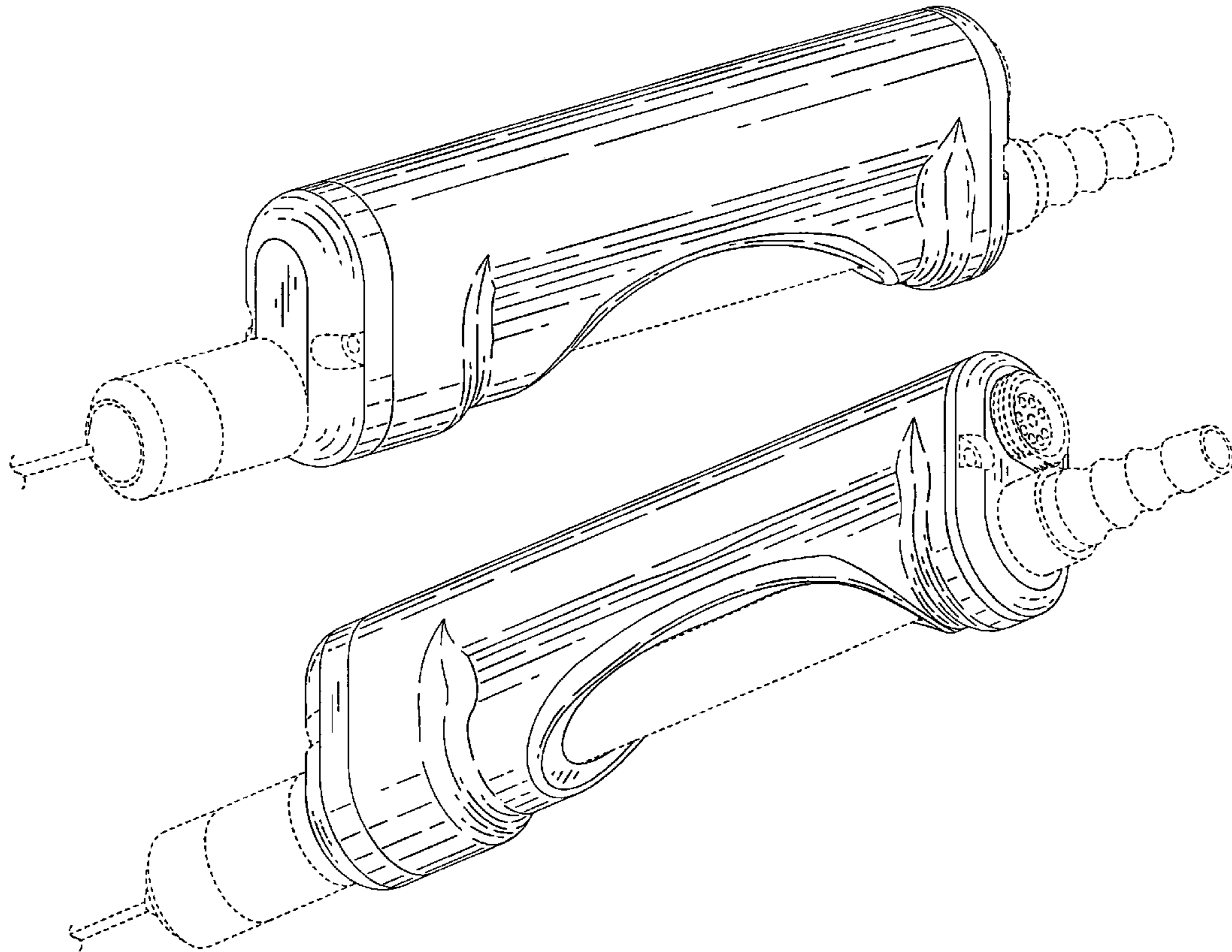
(57) **CLAIM**

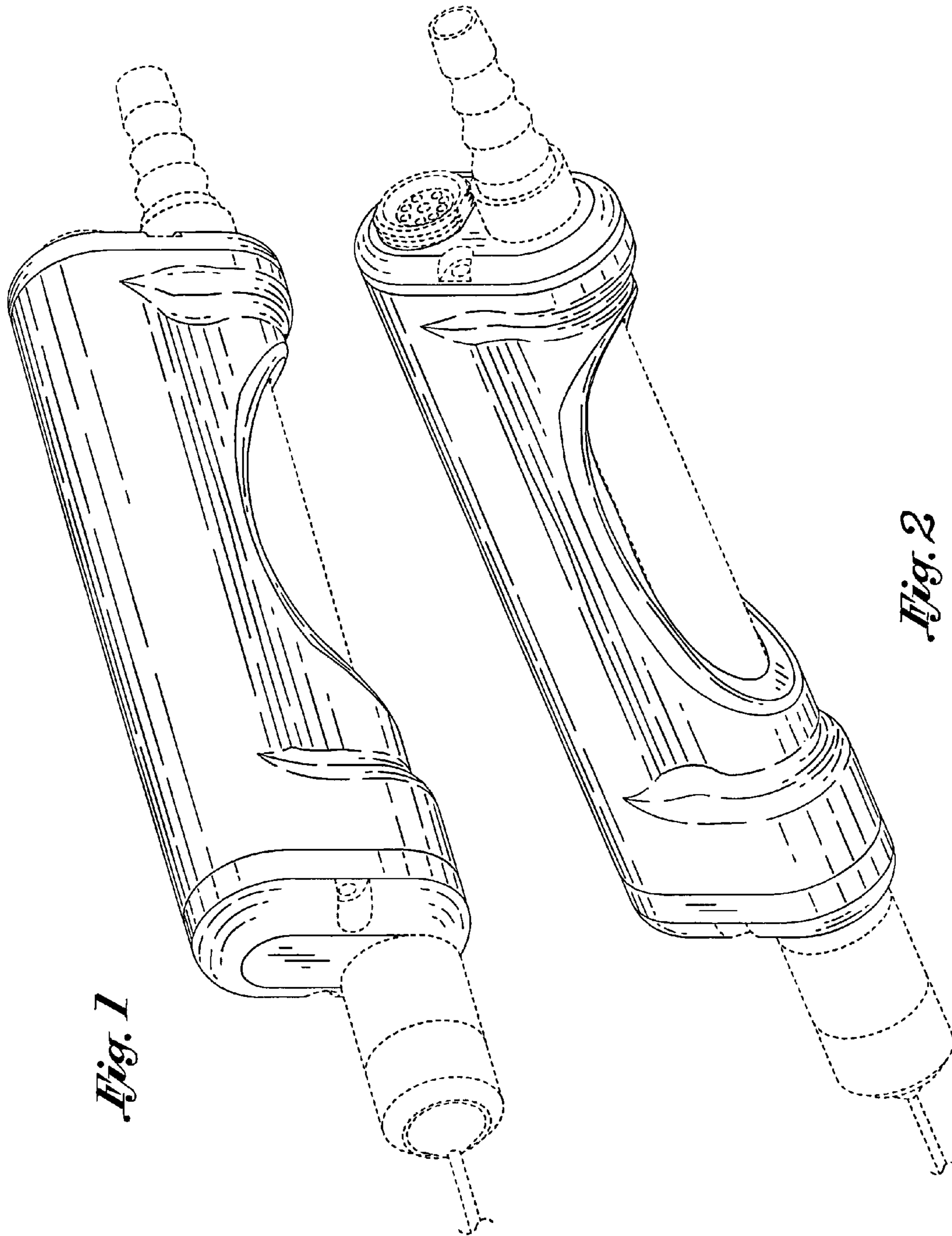
The ornamental design for a surgical instrument handle, as shown & described.

**DESCRIPTION**

FIG. 1 is a top perspective view of a surgical instrument handle showing my new design;  
 FIG. 2 is a bottom perspective view thereof;  
 FIG. 3 is a top plan view thereof;  
 FIG. 4 is a right side elevation view thereof; left side is being a mirror image thereof;  
 FIG. 5 is bottom plan view thereof;  
 FIG. 6 is an enlarged front elevation view thereof; and,  
 FIG. 7 is an enlarged rear elevation view thereof.  
 The broken lines shown in all the views are for illustrative purposes only and form no part of the claimed design.

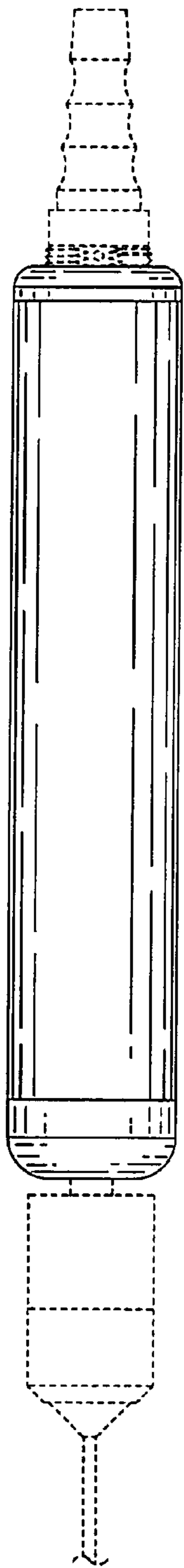
**1 Claim, 3 Drawing Sheets**



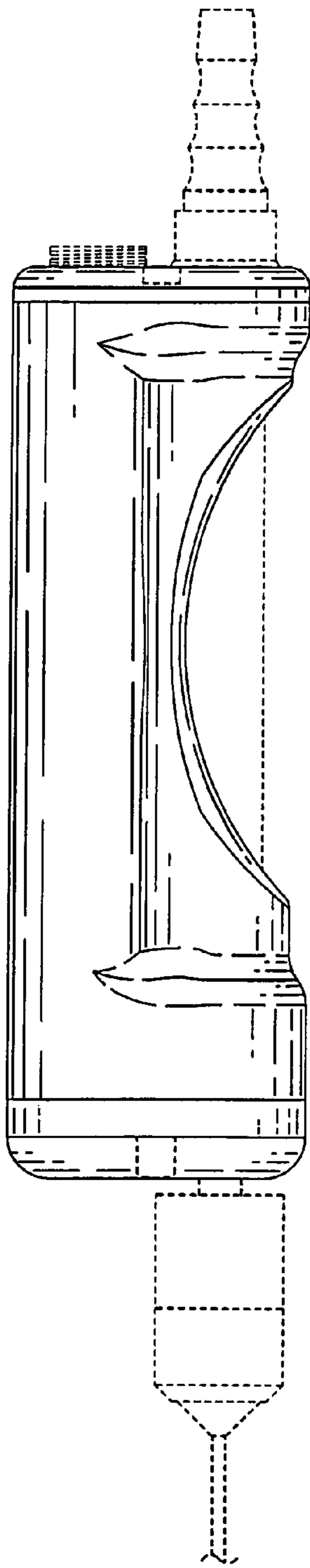


*Fig. 1*

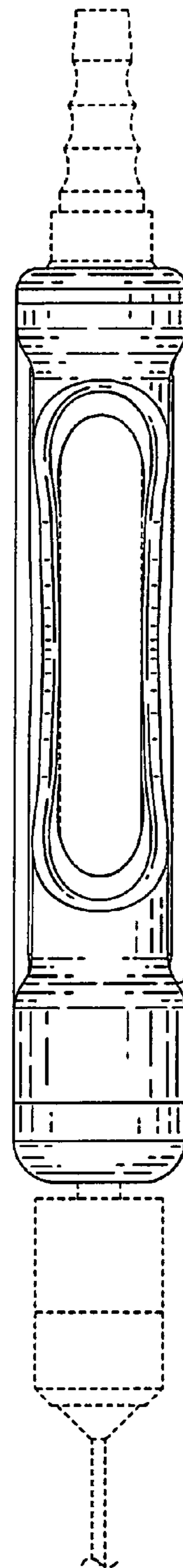
*Fig. 2*



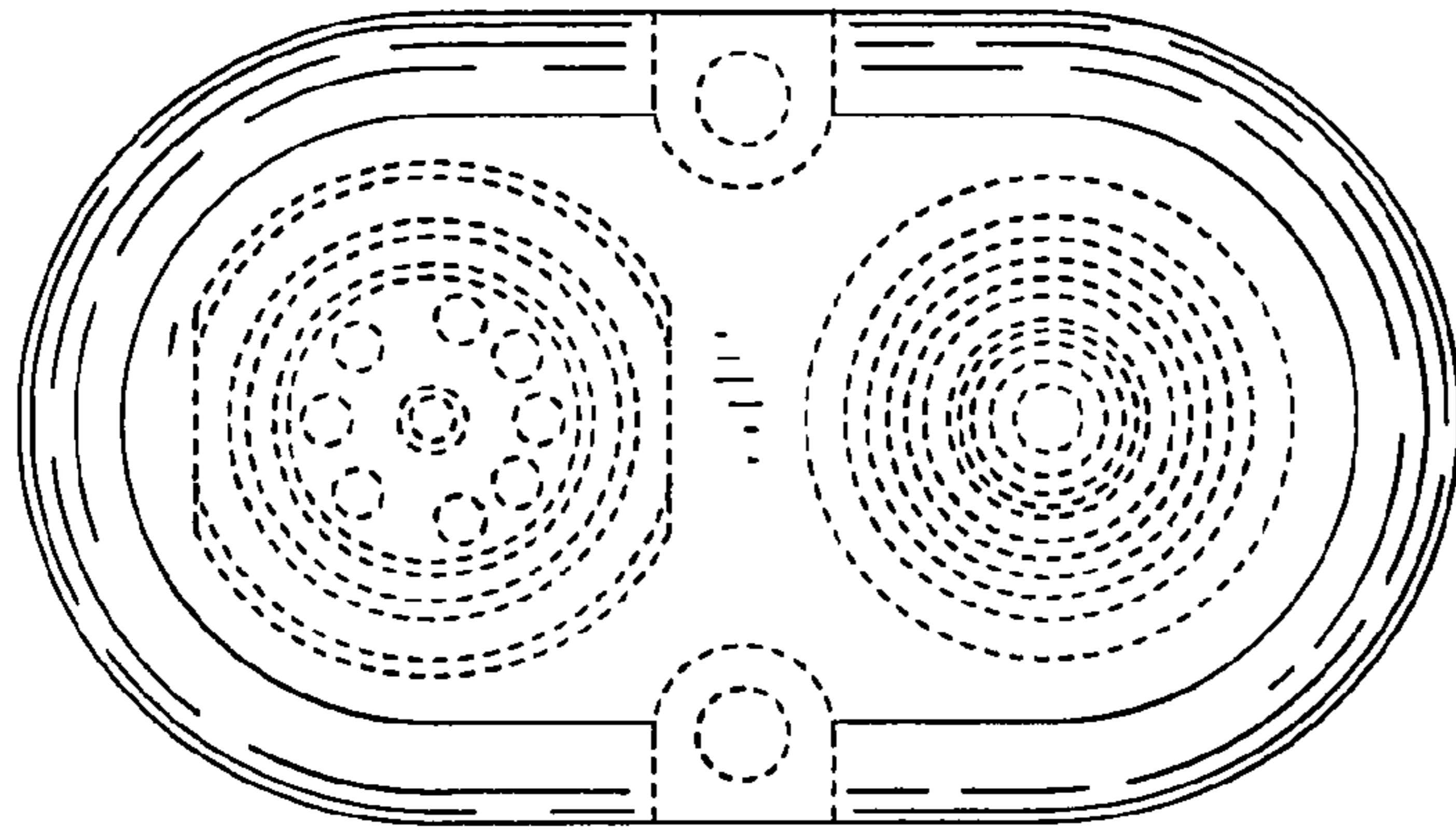
*Fig. 3*



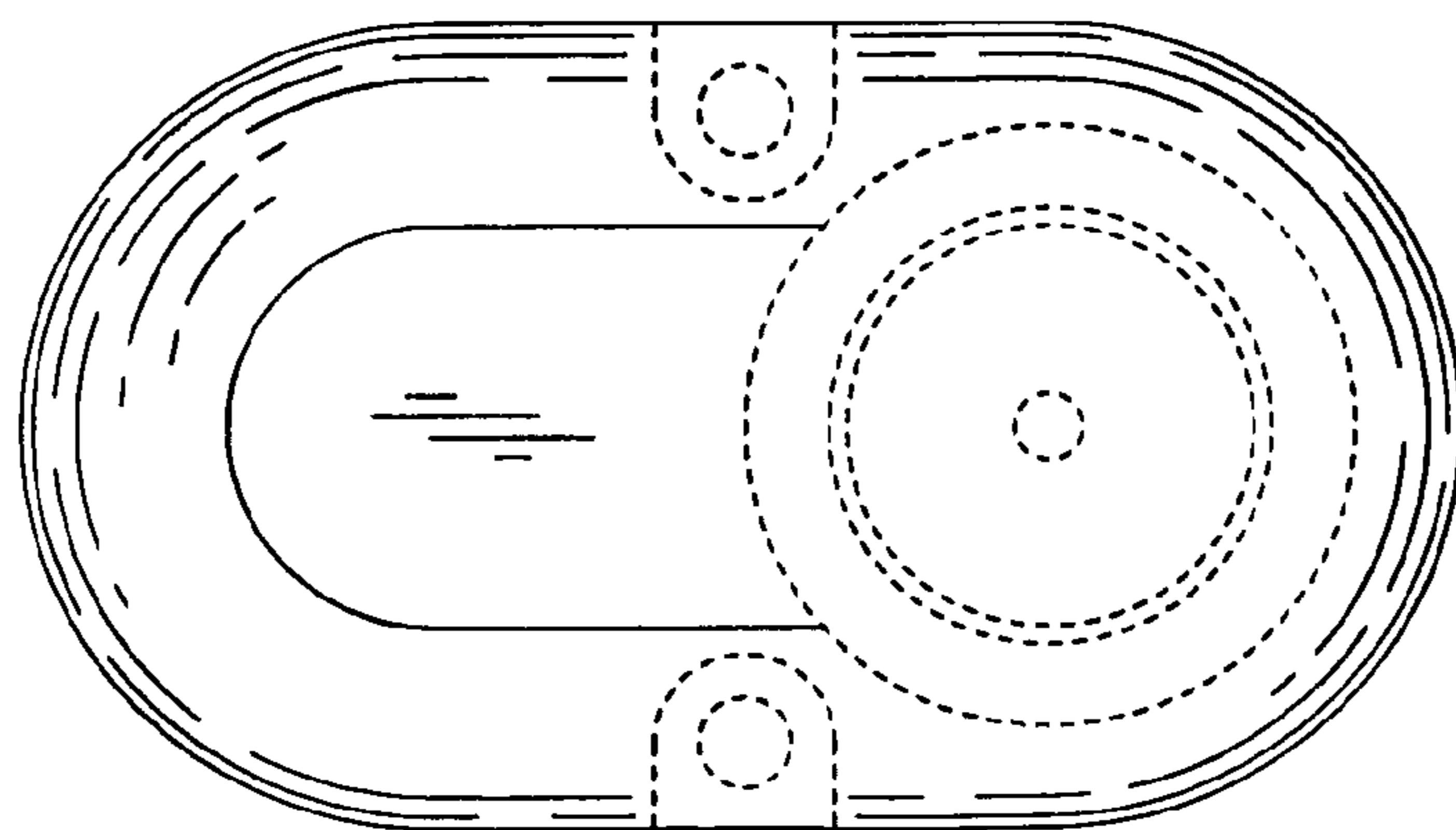
*Fig. 4*



*Fig. 5*



*Fig. 7*



*Fig. 6*