



US00D720069S

(12) **United States Design Patent**
Kaercher et al.

(10) **Patent No.:** **US D720,069 S**

(45) **Date of Patent:** **** Dec. 23, 2014**

(54) **NEEDLE HOLDER**

(71) Applicants: **Daniel Kaercher**, Radolfzell (DE);
Jochen Stefan, Wald (DE)

(72) Inventors: **Daniel Kaercher**, Radolfzell (DE);
Jochen Stefan, Wald (DE)

(73) Assignee: **Karl Storz GmbH & Co. KG** (DE)

(**) Term: **14 Years**

(21) Appl. No.: **29/454,369**

(22) Filed: **May 9, 2013**

(30) **Foreign Application Priority Data**

Nov. 9, 2012 (EM) 002133611-0001

(51) **LOC (10) Cl.** **24-02**

(52) **U.S. Cl.**
USPC **D24/133**

(58) **Field of Classification Search**

CPC A61B 1/00; A61B 17/3403; A61B 17/04;
A61B 17/0469; A61B 17/0483; A61B
17/06109; A61B 17/062

USPC D24/133, 137, 138, 140
See application file for complete search history.

(56) **References Cited**

U.S. PATENT DOCUMENTS

5,413,583 A * 5/1995 Wohlers 606/206
6,254,620 B1 * 7/2001 Koh et al. 606/167
6,419,688 B1 * 7/2002 Bacher et al. 606/205
D583,472 S * 12/2008 Koh D24/143

D598,101 S * 8/2009 Keckstein et al. D24/143
D614,299 S * 4/2010 Koh et al. D24/133
D617,899 S * 6/2010 Koh et al. D24/133
D621,035 S * 8/2010 Koh et al. D24/128
D631,156 S * 1/2011 Halder et al. D24/133
D664,646 S * 7/2012 Cuschieri et al. D24/133
2008/0046003 A1 * 2/2008 Renger et al. 606/206
2012/0172663 A1 * 7/2012 Perretta et al. 600/106

OTHER PUBLICATIONS

EndoWorld®—KOH Macro Needle Holders; Storz—Karl Storz—
Endoskope; Oct. 2012; 3 pages.

* cited by examiner

Primary Examiner — Bridget L Eland

(74) *Attorney, Agent, or Firm* — St. Onge Steward Johnston
& Reens LLC

(57) **CLAIM**

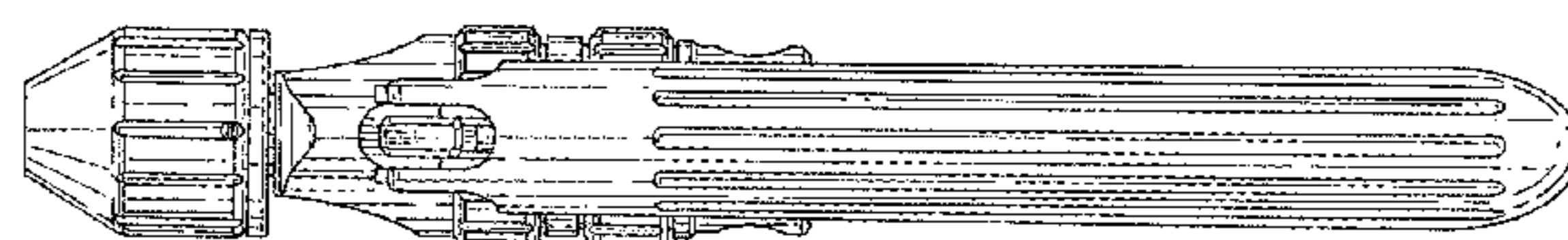
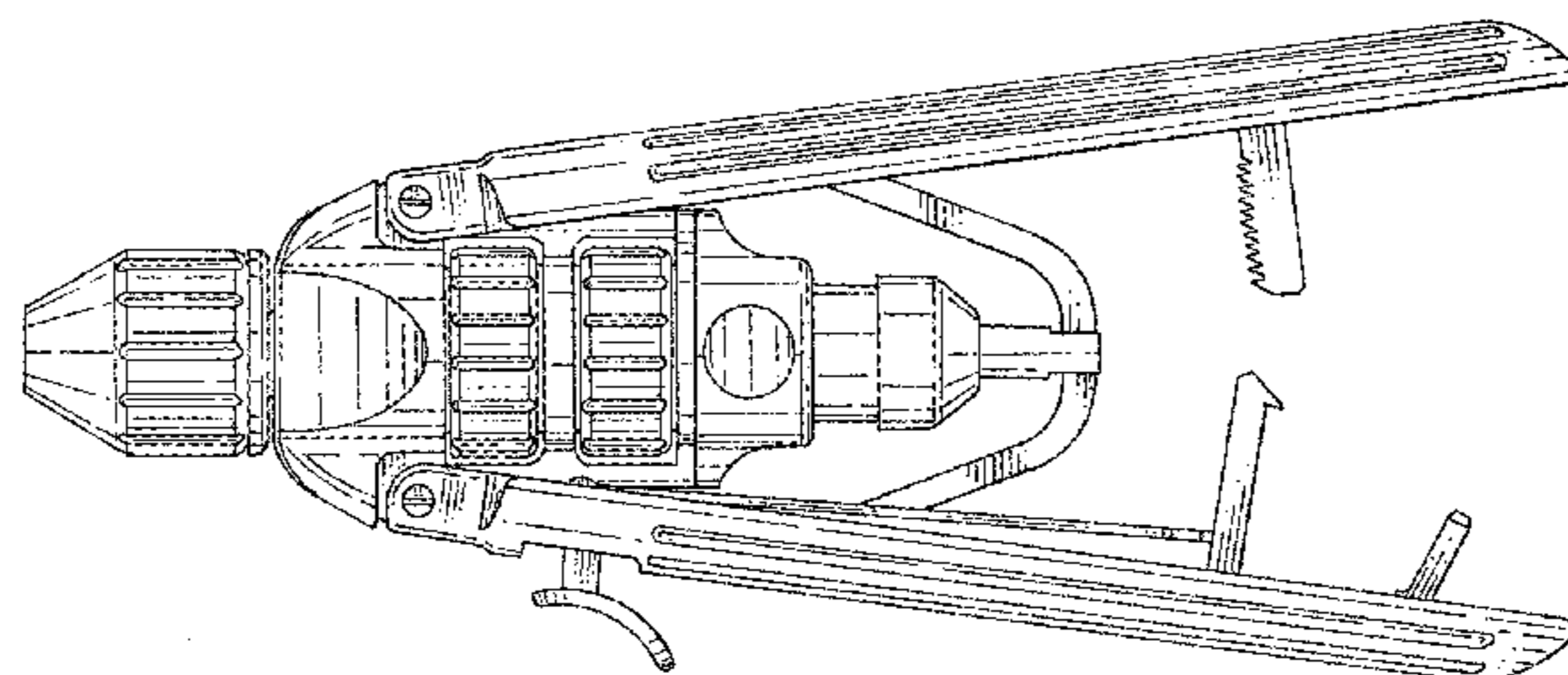
The ornamental design for a needle holder, as shown and
described.

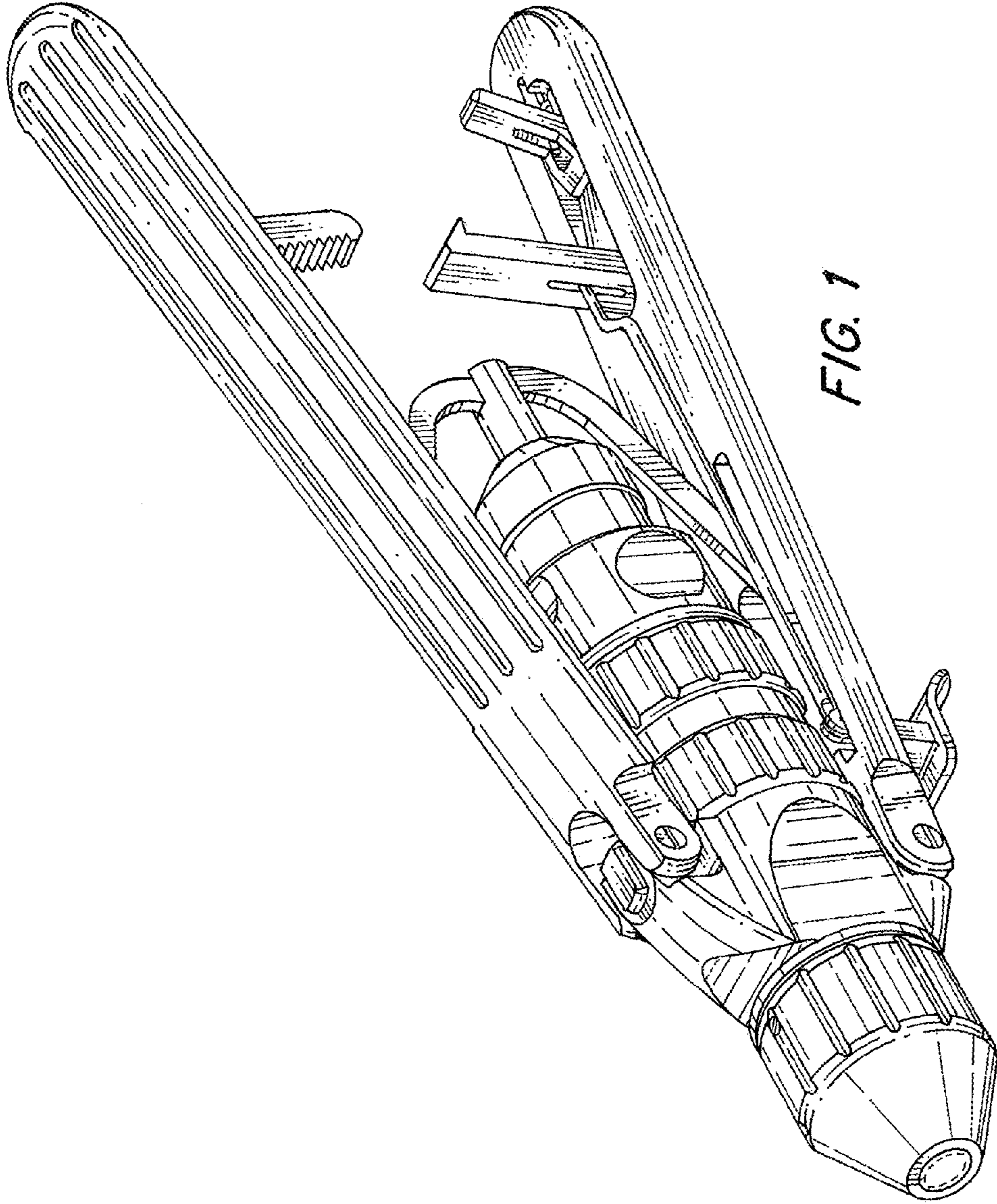
DESCRIPTION

FIG. 1 is a front left side top isometric view of a needle holder
in accordance with the new design;
FIG. 2 is a front elevational view thereof;
FIG. 3 is a rear elevational view thereof;
FIG. 4 is a right side elevational view thereof;
FIG. 5 is left side elevational view thereof;
FIG. 6 is a top plan view thereof; and,
FIG. 7 is a bottom plan view thereof.

The broken lines shown in FIGS. 1-3 are included for the
purpose of illustrating portions of the needle holder that form
no part of the claimed design.

1 Claim, 7 Drawing Sheets





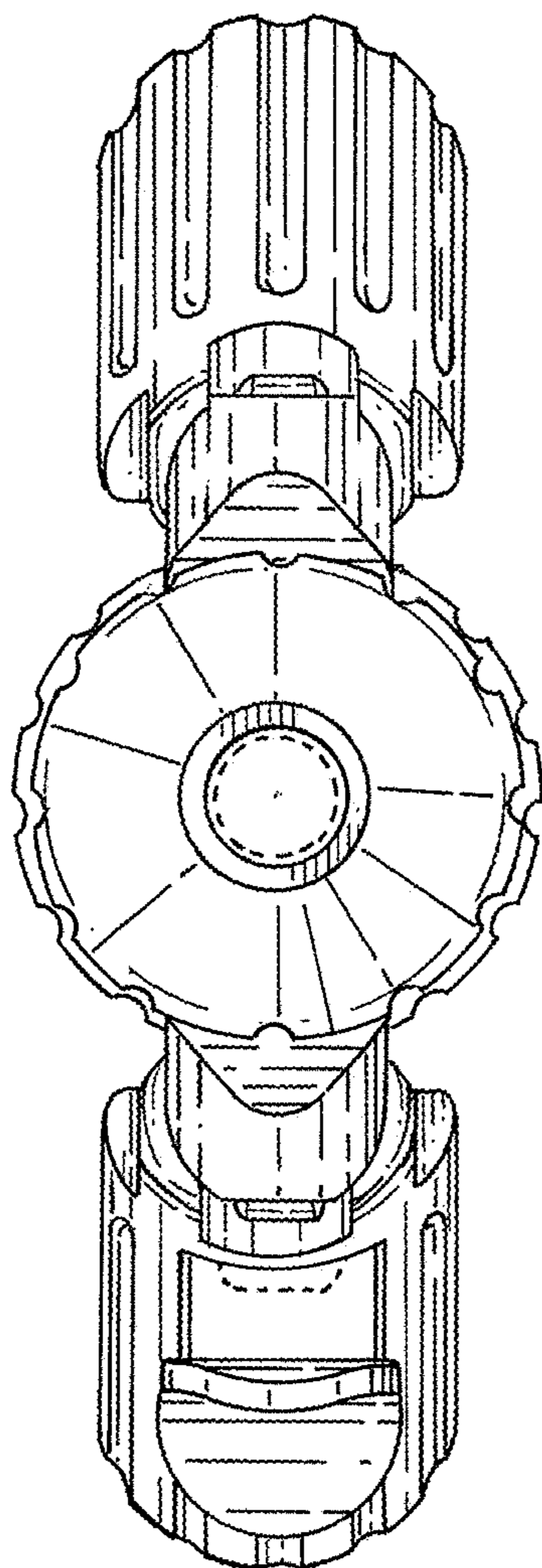


FIG. 2

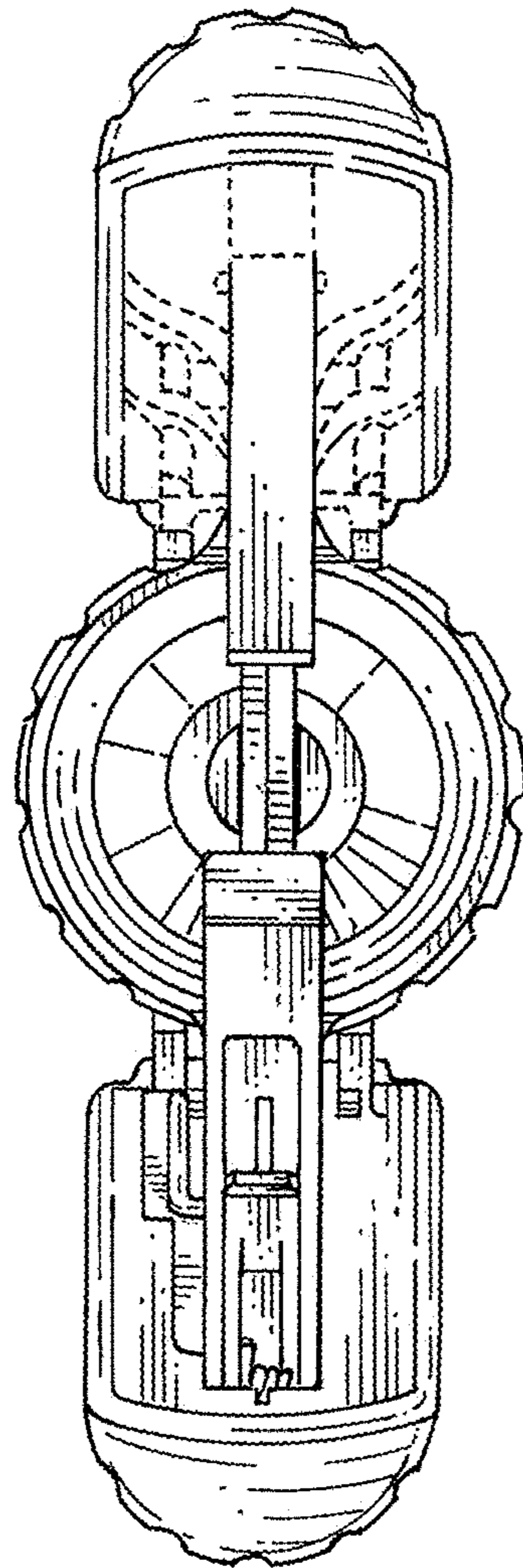


FIG. 3

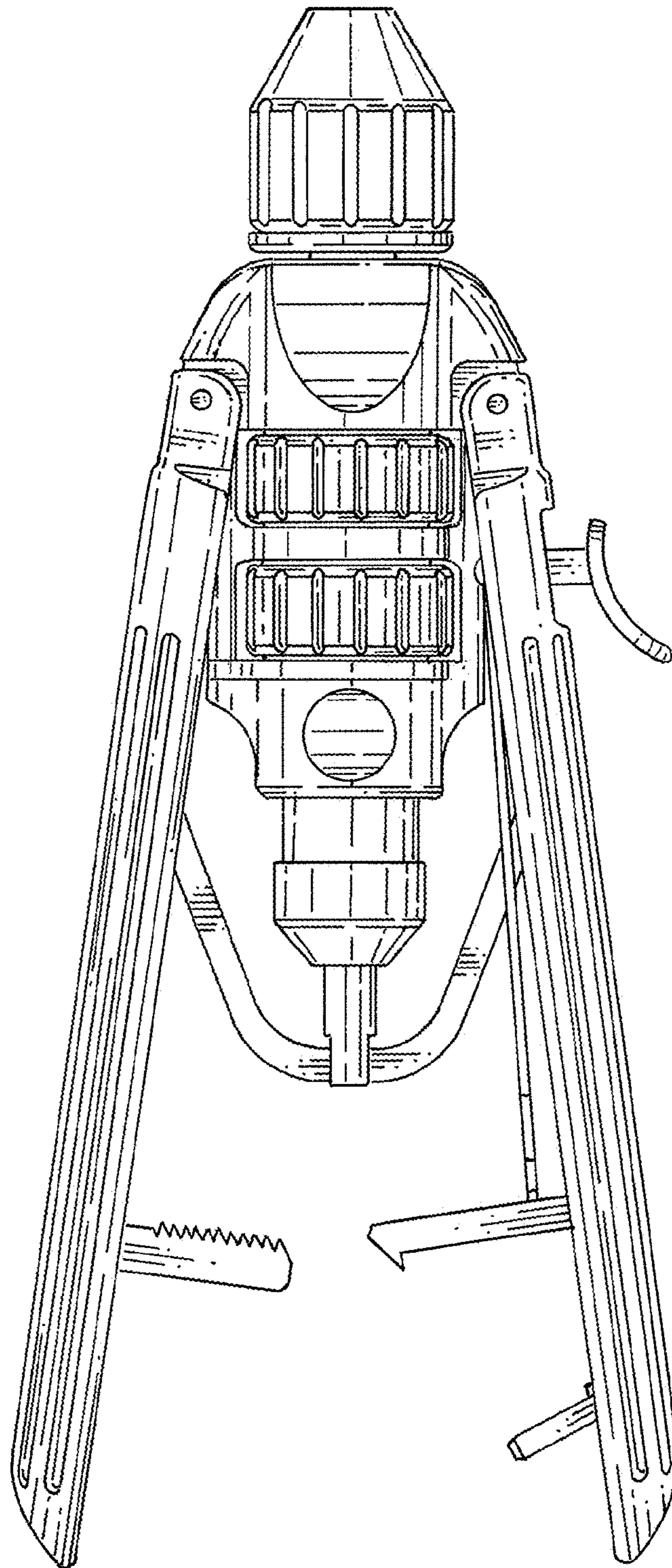


FIG. 4

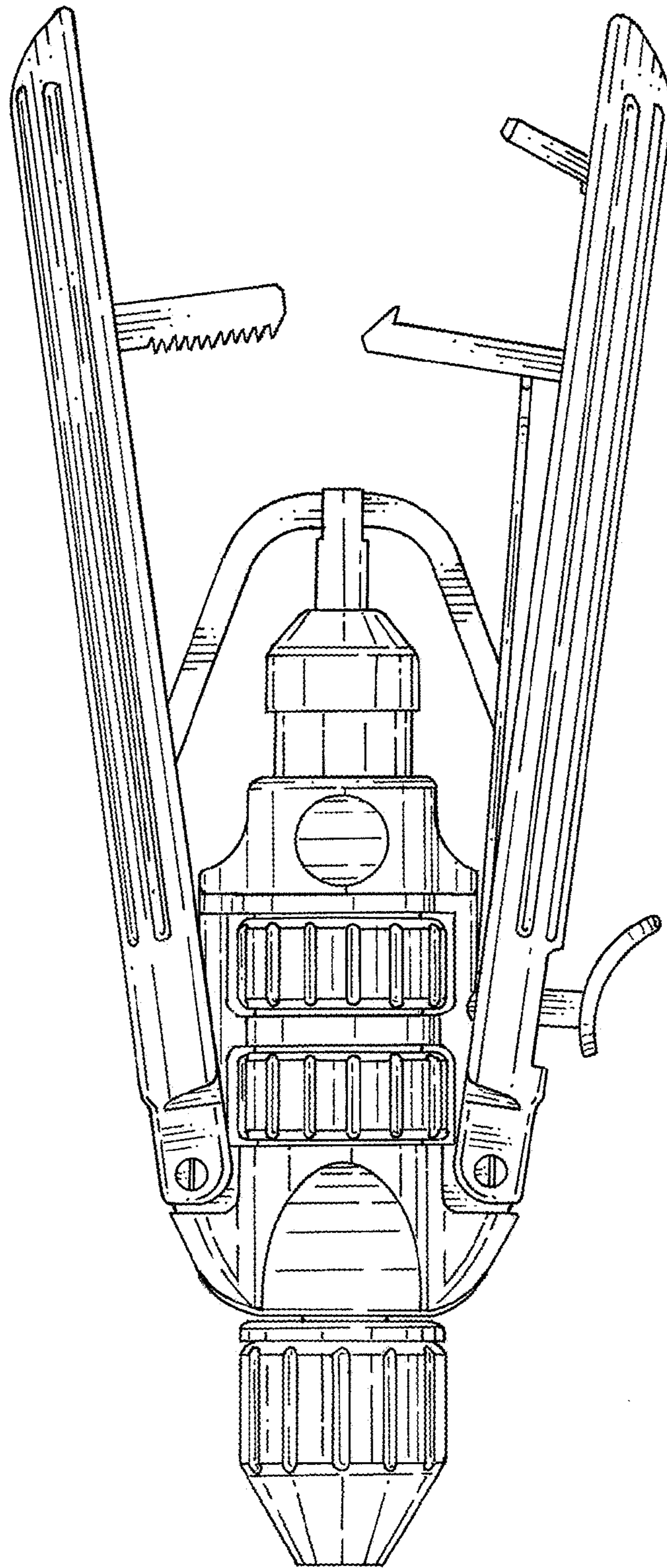


FIG. 5

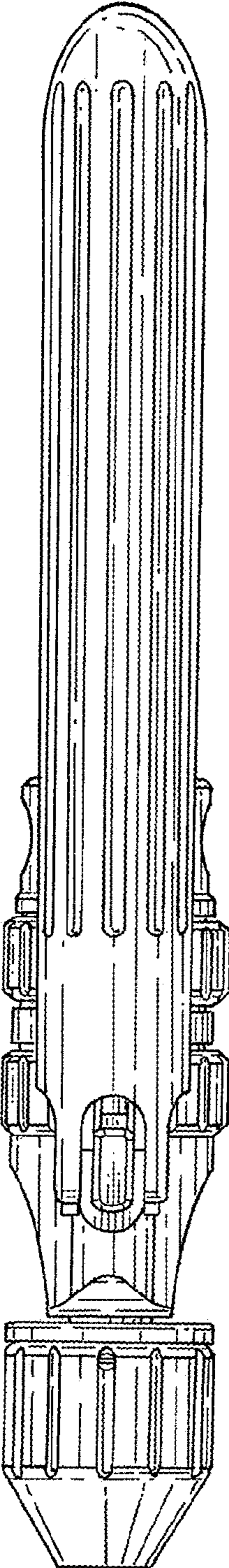


FIG. 6

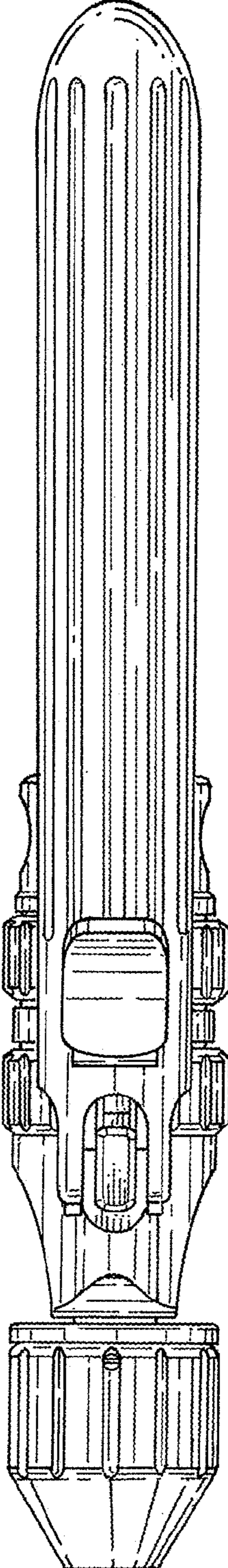


FIG. 7