



US00D720068S

(12) **United States Design Patent**  
**Oberlaender**

(10) **Patent No.:** **US D720,068 S**

(45) **Date of Patent:** **\*\* Dec. 23, 2014**

(54) **SEALING ELEMENT**

(71) Applicant: **Martin Oberlaender**, Engen (DE)

(72) Inventor: **Martin Oberlaender**, Engen (DE)

(73) Assignee: **Karl Storz GmbH & Co. KG** (DE)

(\*\*) Term: **14 Years**

(21) Appl. No.: **29/454,170**

(22) Filed: **May 7, 2013**

(30) **Foreign Application Priority Data**

Nov. 7, 2012 (EM) ..... 002132084-0007

(51) **LOC (10) Cl.** ..... **24-02**

(52) **U.S. Cl.**  
USPC ..... **D24/133**

(58) **Field of Classification Search**  
CPC ..... A61B 1/00137; A61B 1/018; A61B  
2017/00477; A61B 17/3423; A61B 17/3421  
USPC ..... D24/133, 137, 138, 140  
See application file for complete search history.

(56) **References Cited**

**U.S. PATENT DOCUMENTS**

- D271,618 S \* 11/1983 Nishigaki ..... D24/138
- D664,654 S 7/2012 Cuschieri et al.
- D666,717 S \* 9/2012 Hermle ..... D24/138
- D670,805 S \* 11/2012 Hermle ..... D24/138

- D699,845 S \* 2/2014 Leroy et al. .... D24/144
- D699,846 S \* 2/2014 Leroy et al. .... D24/144
- D699,847 S \* 2/2014 Leroy et al. .... D24/144
- 2003/0144577 A1 \* 7/2003 Bacher et al. .... 600/104
- 2007/0299387 A1 \* 12/2007 Williams et al. .... 604/22
- 2009/0036745 A1 \* 2/2009 Bonadio et al. .... 600/208
- 2009/0192352 A1 \* 7/2009 P. Regadas ..... 600/114
- 2010/0081995 A1 \* 4/2010 Widenhouse et al. ... 604/164.08
- 2010/0228091 A1 \* 9/2010 Widenhouse et al. .... 600/203
- 2011/0166425 A1 \* 7/2011 Edelman et al. .... 600/208

\* cited by examiner

*Primary Examiner* — Bridget L Eland

(74) *Attorney, Agent, or Firm* — St. Onge Steward Johnston & Reens LLC

(57) **CLAIM**

The ornamental design for a sealing element, as shown and described.

**DESCRIPTION**

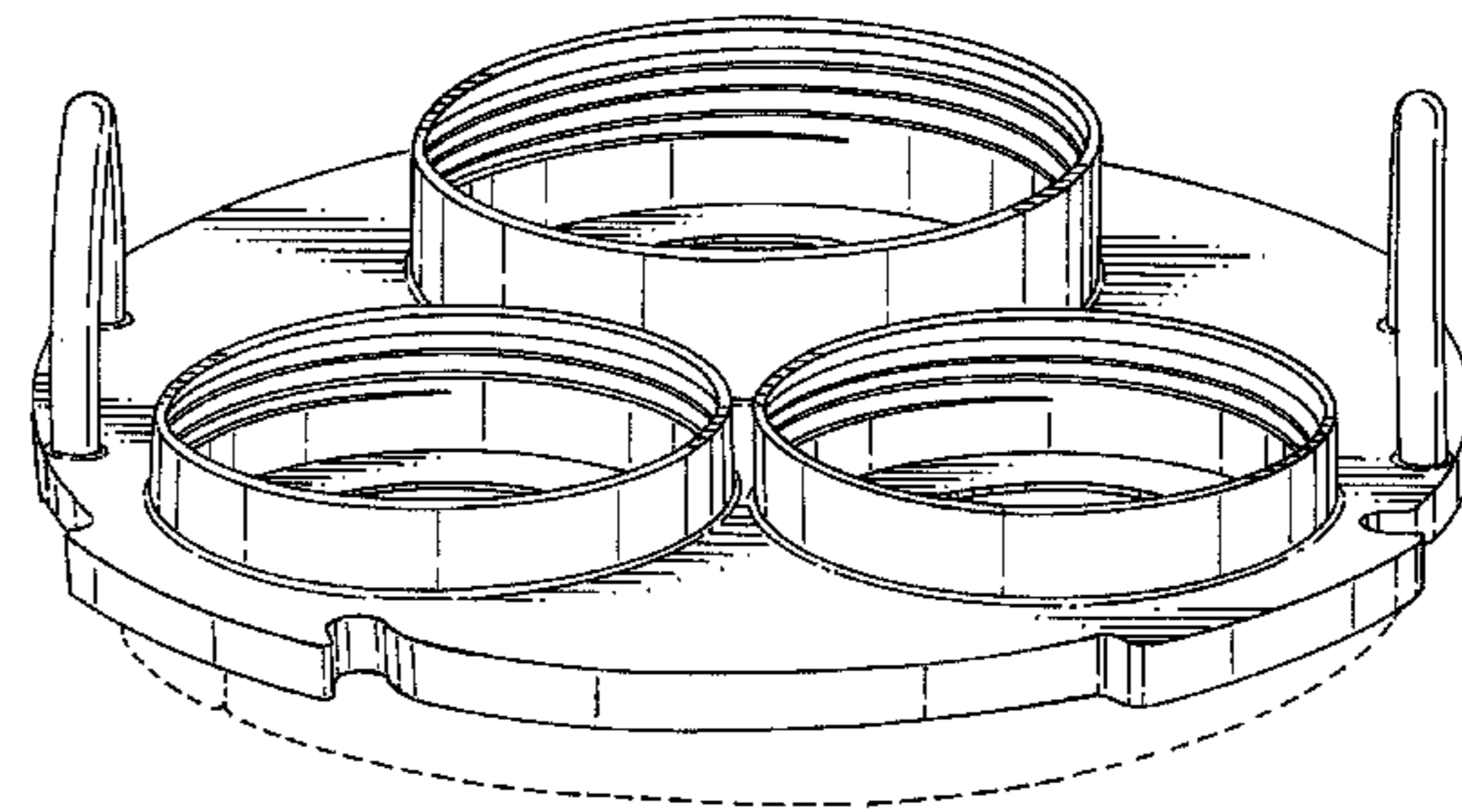
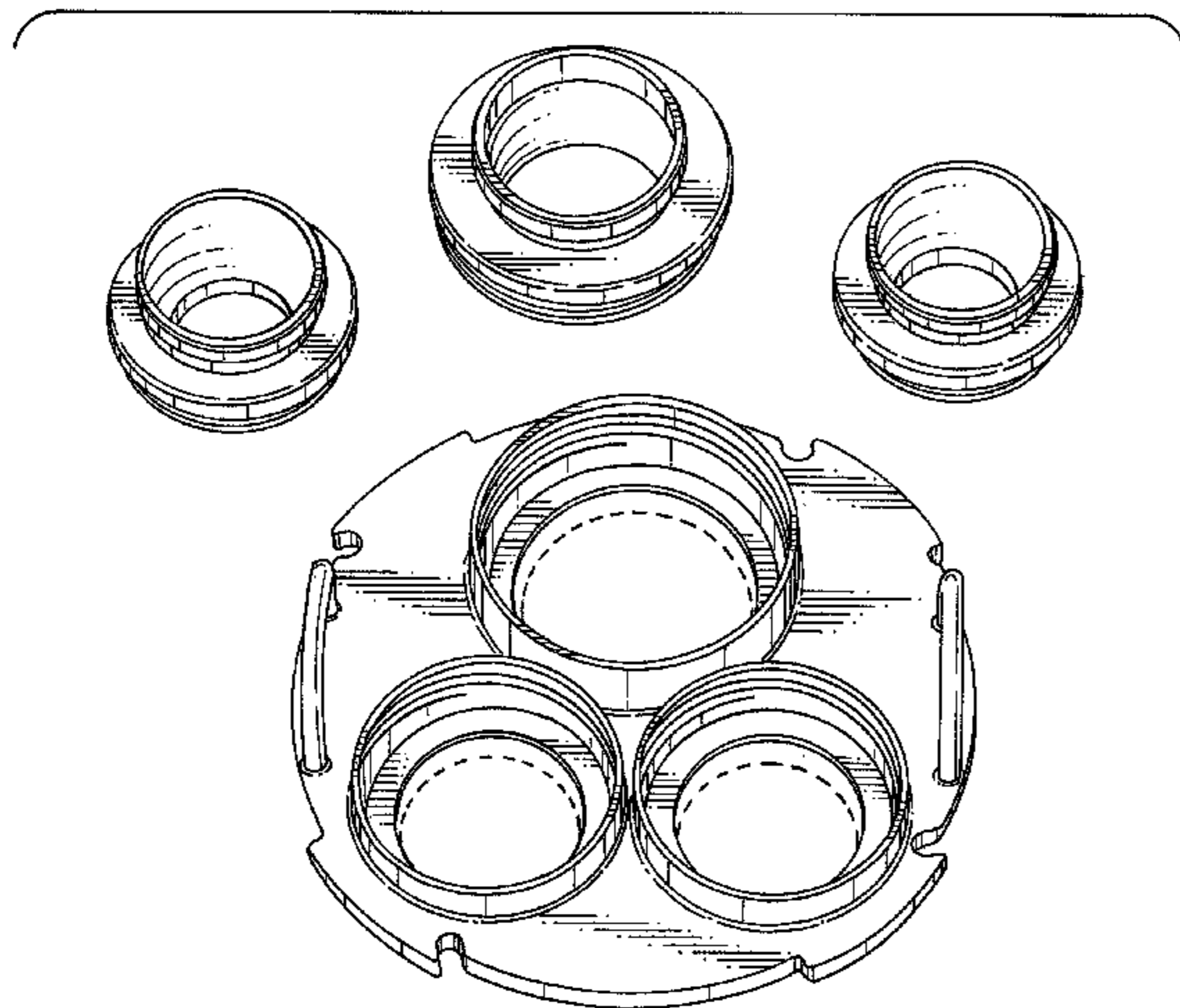
FIG. 1 is a top front isometric view of a sealing element in accordance with the new design, showing a base and three members;

FIG. 2 is a front isometric view thereof, with the three members omitted for ease of illustration; and,

FIG. 3 is a top left side isometric view thereof, showing the three members attached to the base.

The broken lines shown in FIGS. 1-3 are included for the purpose of illustrating portions of the sealing element that form no part of the claimed design.

**1 Claim, 3 Drawing Sheets**



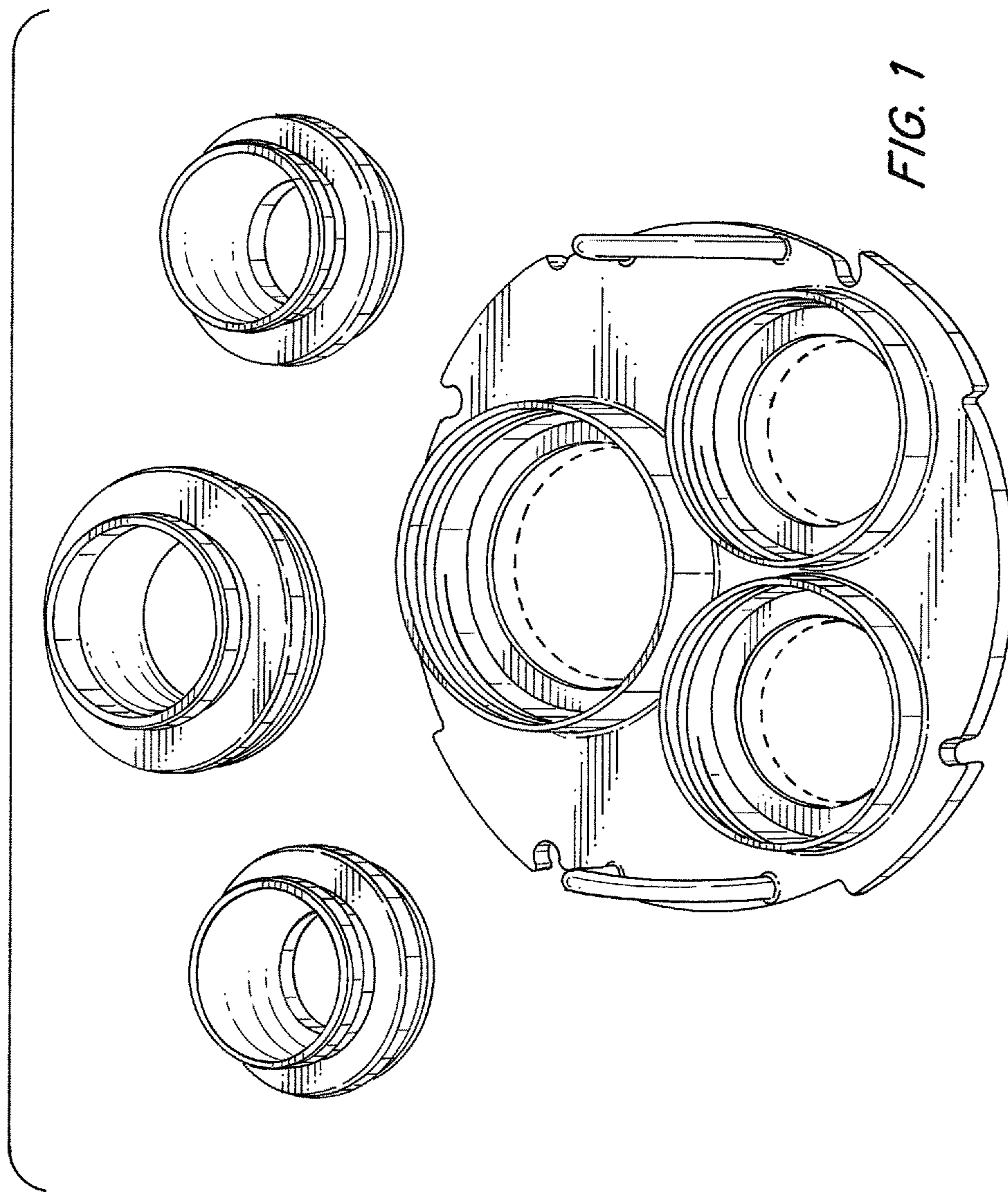


FIG. 1

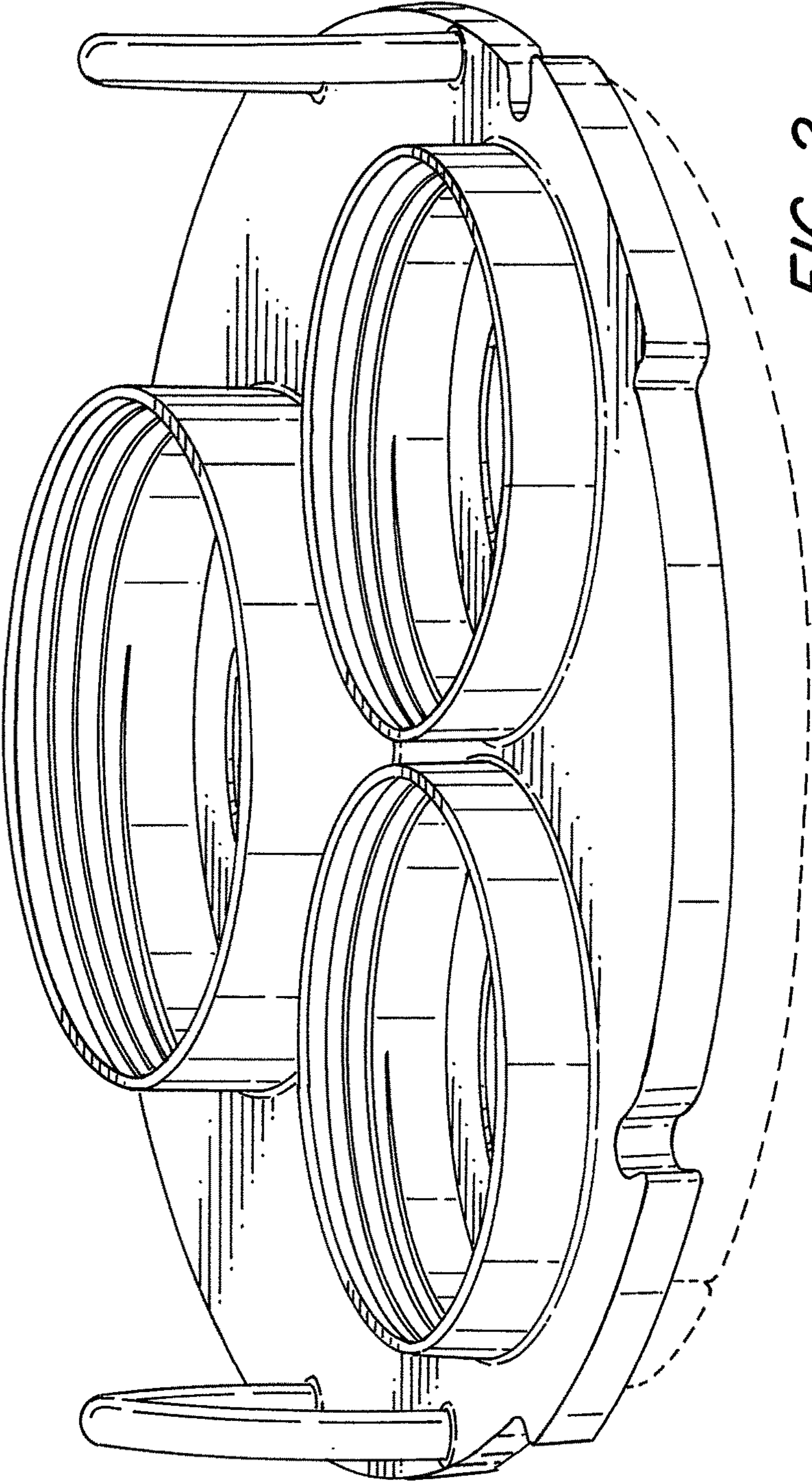


FIG. 2

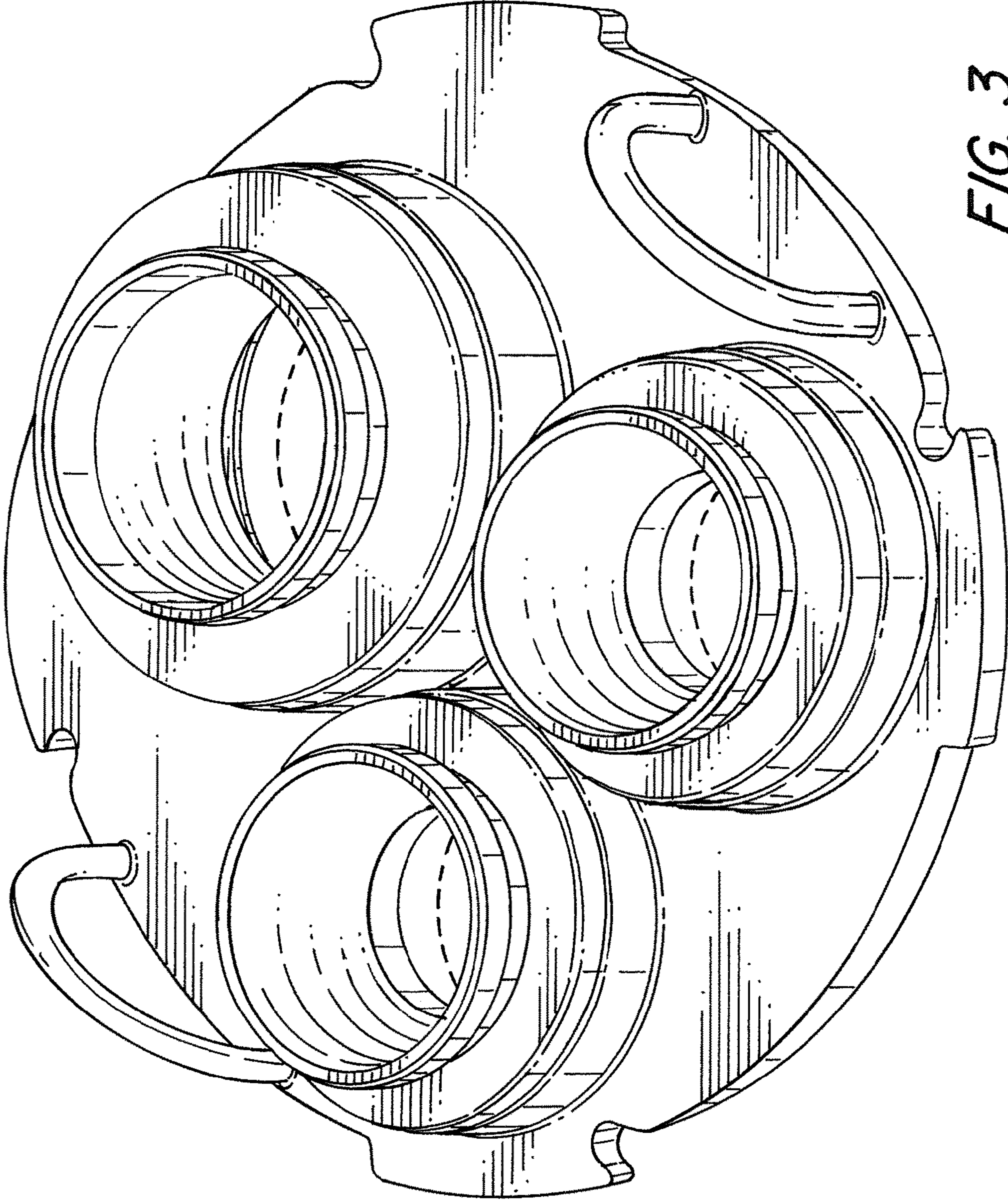


FIG. 3