



US00D720067S

(12) **United States Design Patent**  
**Rosenquist**

(10) **Patent No.:** **US D720,067 S**

(45) **Date of Patent:** **\*\* Dec. 23, 2014**

(54) **MEDICAL DEVICE**

(75) Inventor: **Tobias Rosenquist**, Källered (SE)

(73) Assignee: **Carmel Pharma AB**, Gothenburg (SE)

(\*\*) Term: **14 Years**

(21) Appl. No.: **29/405,502**

(22) Filed: **Nov. 2, 2011**

(30) **Foreign Application Priority Data**

May 2, 2011 (EP) ..... 001857954

(51) **LOC (10) Cl.** ..... **24-02**

(52) **U.S. Cl.**  
USPC ..... **D24/129**

(58) **Field of Classification Search**  
USPC ..... D24/127-131, 112-114, 133, 186;  
606/181, 185; 604/232, 187, 158,  
604/164.08, 192, 263, 163, 181, 184, 198,  
604/227, 411; 600/101, 139, 143;  
128/200.24, 207.14, 207.15; D9/435,  
D9/445, 453  
See application file for complete search history.

(56) **References Cited**

**U.S. PATENT DOCUMENTS**

D443,356 S \* 6/2001 Pajunk et al. .... D24/112  
D446,578 S \* 8/2001 Jansen et al. .... D24/114

D579,542 S \* 10/2008 Ranalletta et al. .... D24/108  
7,618,401 B2 \* 11/2009 Vedrine ..... 604/187  
D612,487 S \* 3/2010 Hunter et al. .... D24/114  
D625,805 S \* 10/2010 Hereford ..... D24/140  
D635,254 S \* 3/2011 Ellis et al. .... D24/129  
D637,713 S \* 5/2011 Nord et al. .... D24/129  
D639,421 S \* 6/2011 Sano et al. .... D24/118  
D641,080 S \* 7/2011 Zinger et al. .... D24/129  
D642,261 S \* 7/2011 York et al. .... D24/130  
D660,418 S \* 5/2012 Kuczek et al. .... D24/130  
D669,980 S \* 10/2012 Lev et al. .... D24/129

\* cited by examiner

*Primary Examiner* — David Muller

(74) *Attorney, Agent, or Firm* — Servilla Whitney LLC

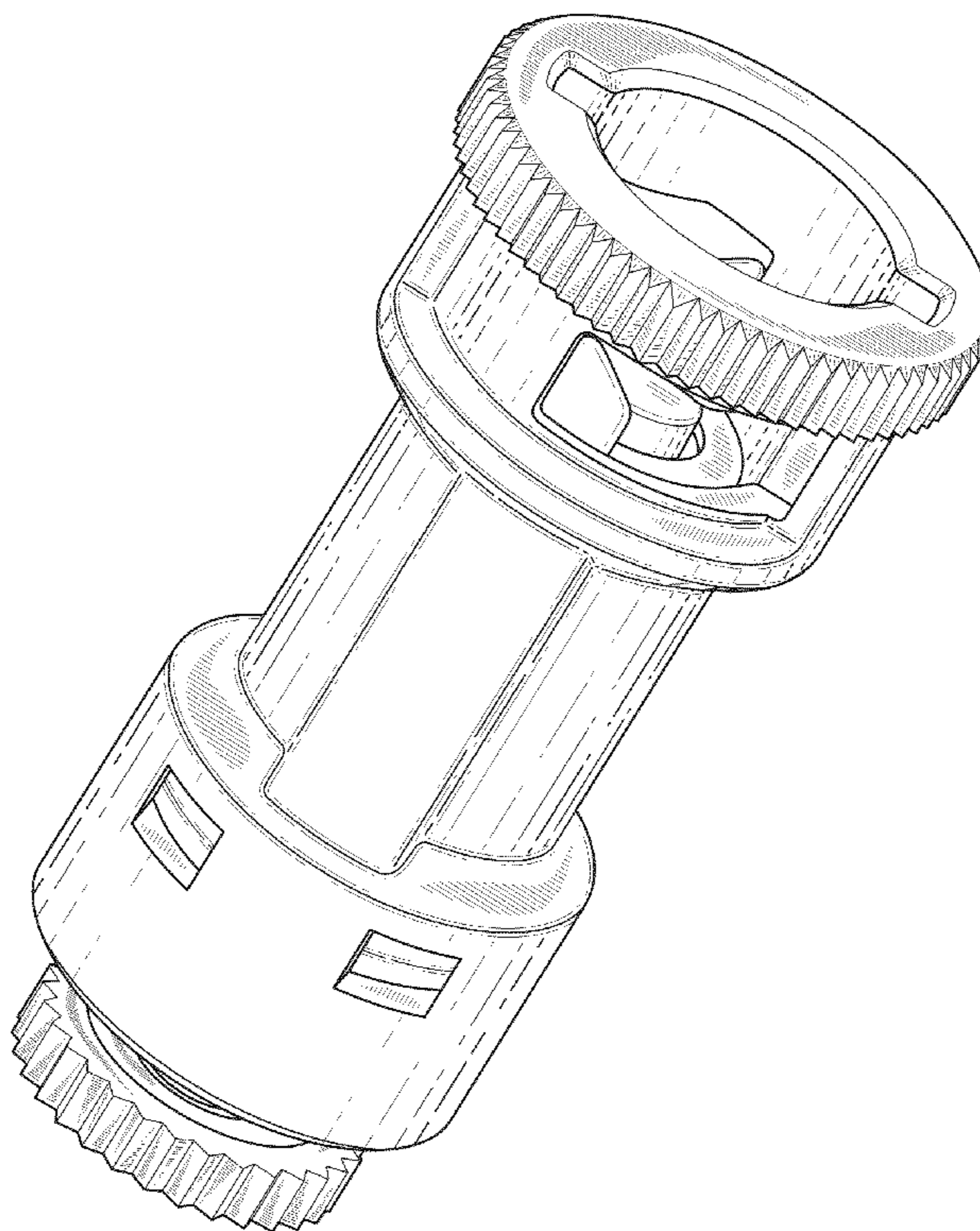
(57) **CLAIM**

The ornamental design for a medical device, as shown and described.

**DESCRIPTION**

FIG. 1 is a perspective view of a medical device.  
FIG. 2 is another perspective view of the medical device of FIG. 1.  
FIG. 3 is another perspective view of the medical device of FIG. 1.  
FIG. 4 is a side view of the medical device of FIG. 1.  
FIG. 5 is a front view of the medical device of FIG. 1.  
FIG. 6 is a top view of the medical device of FIG. 1; and,  
FIG. 7 is a bottom view of the medical device of FIG. 1.

**1 Claim, 6 Drawing Sheets**



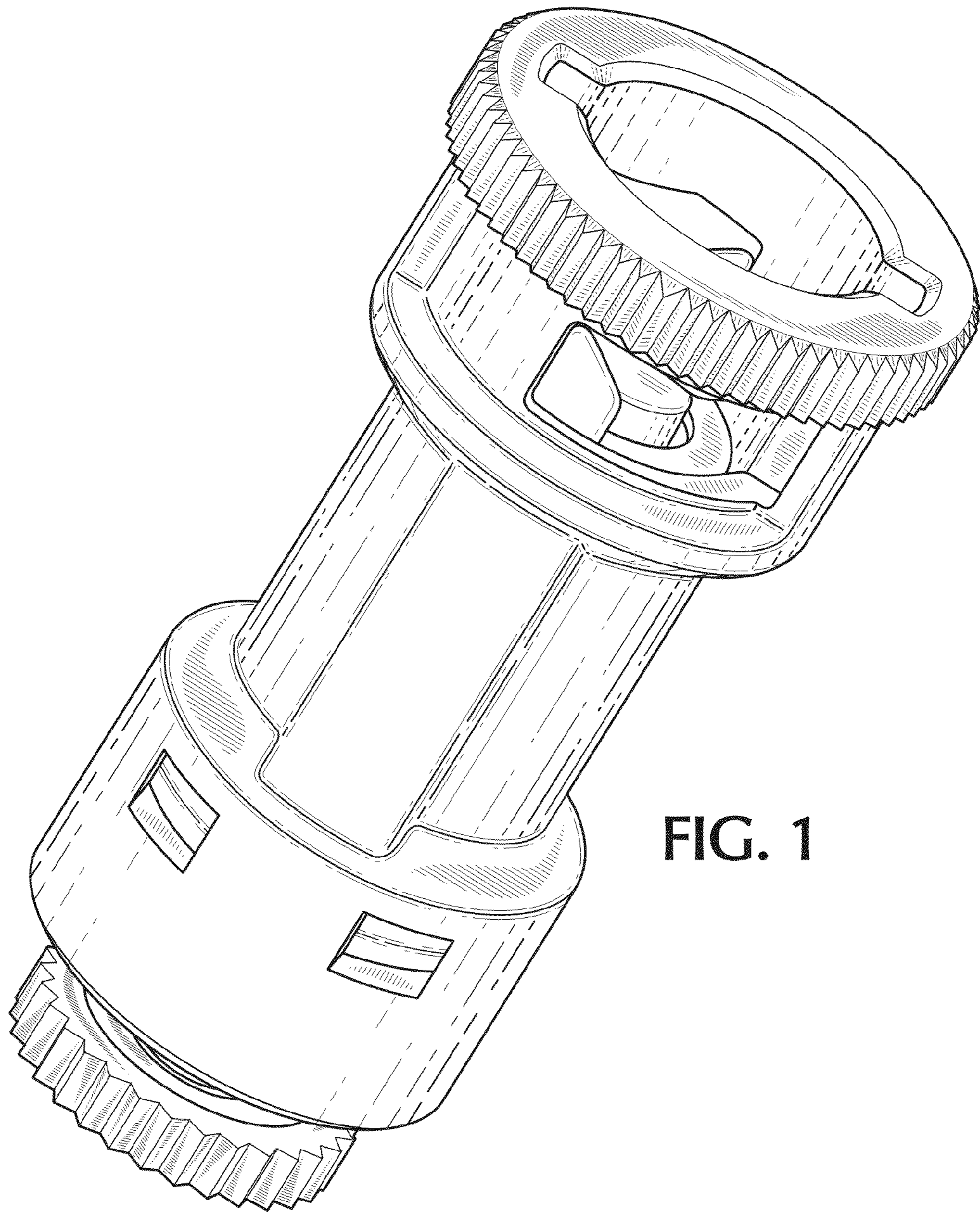


FIG. 1

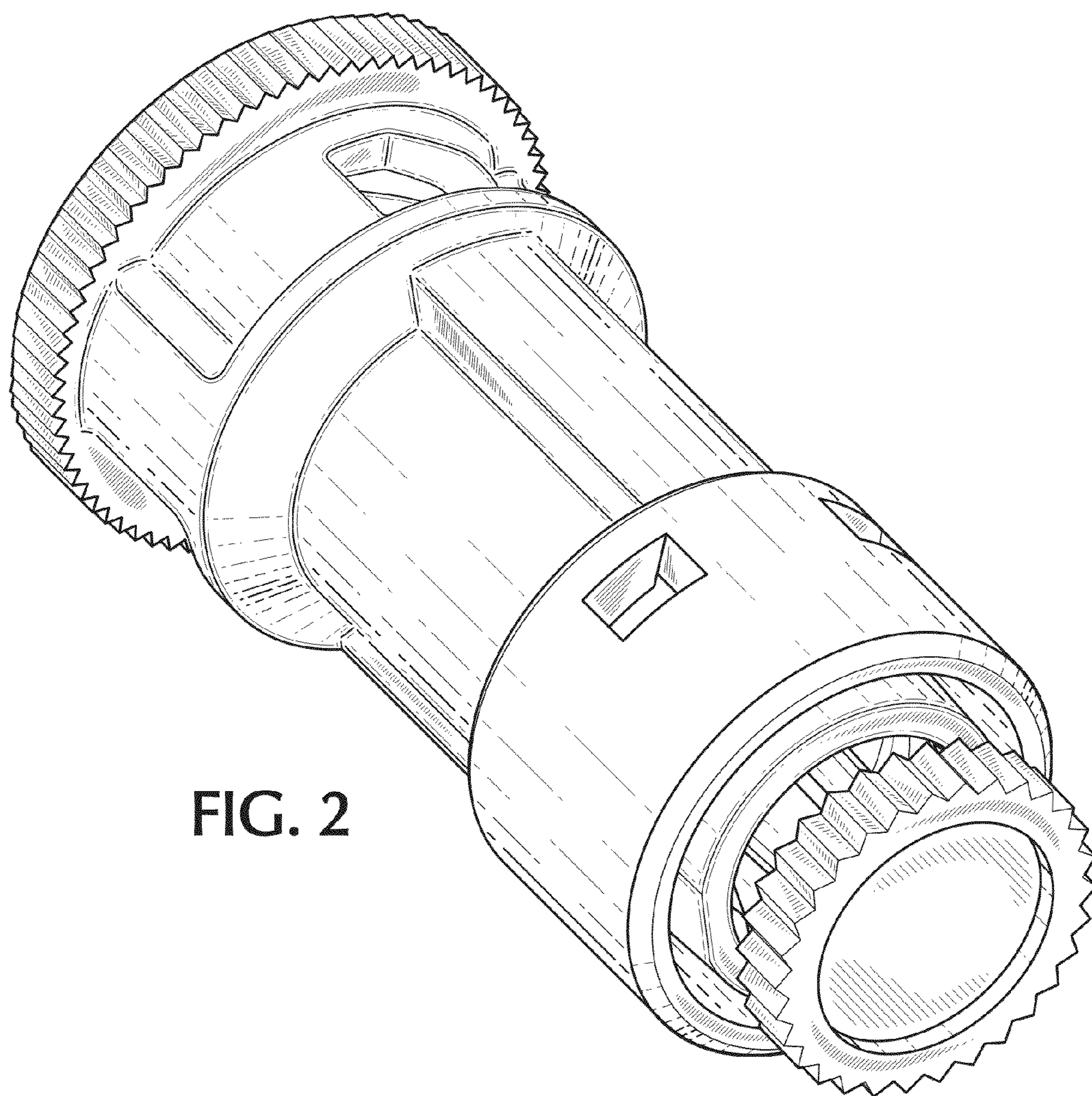


FIG. 2

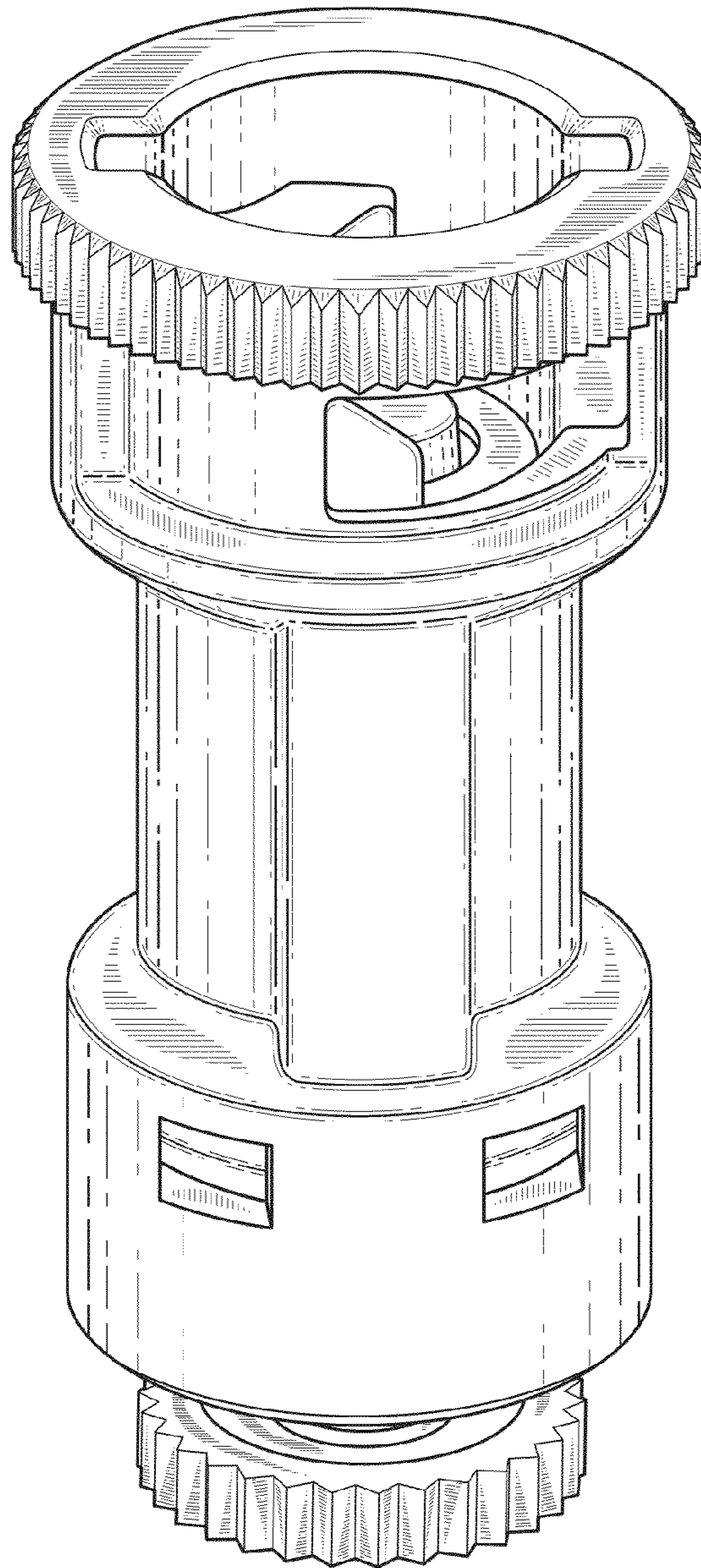


FIG. 3

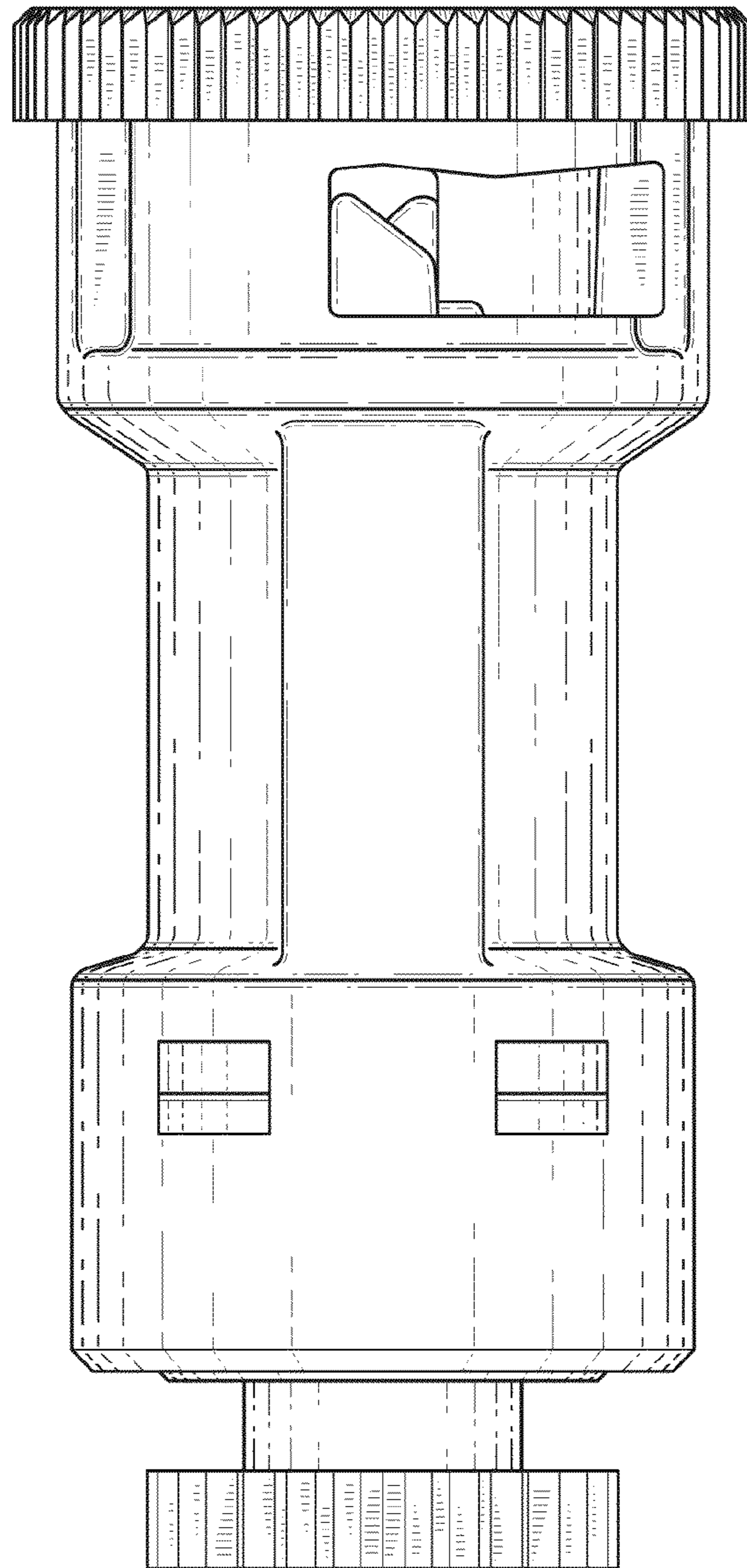


FIG. 4

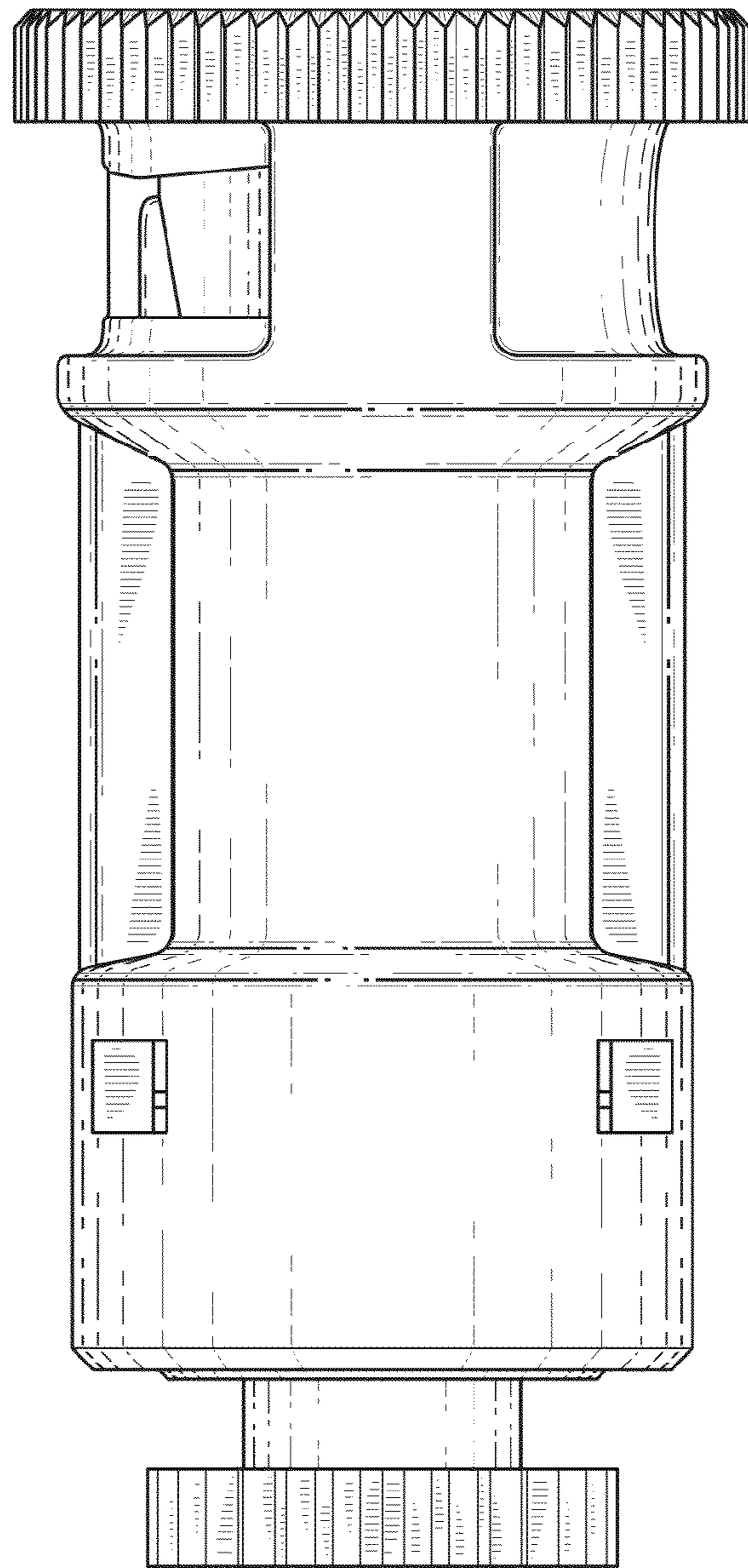


FIG. 5

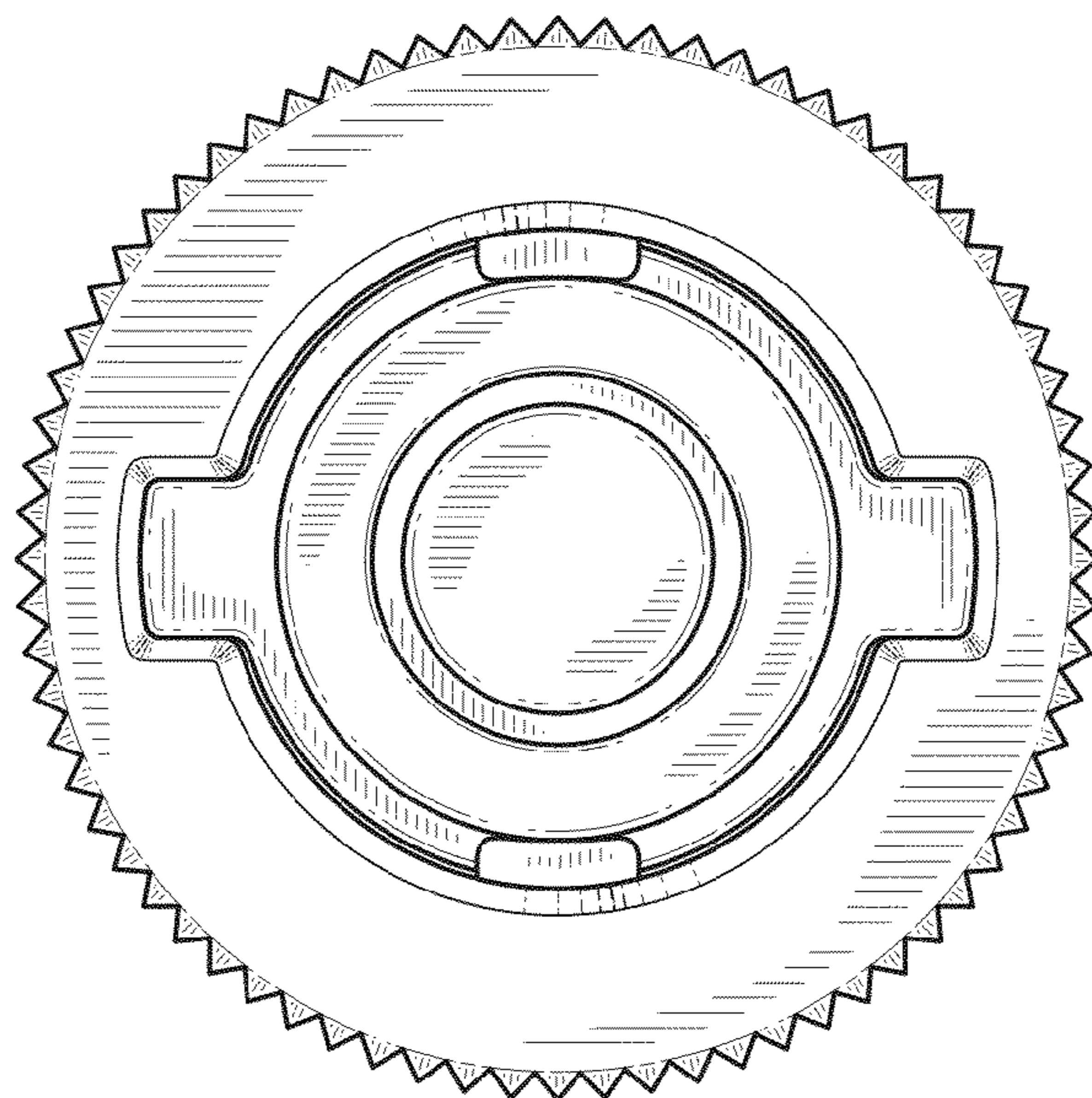


FIG. 6

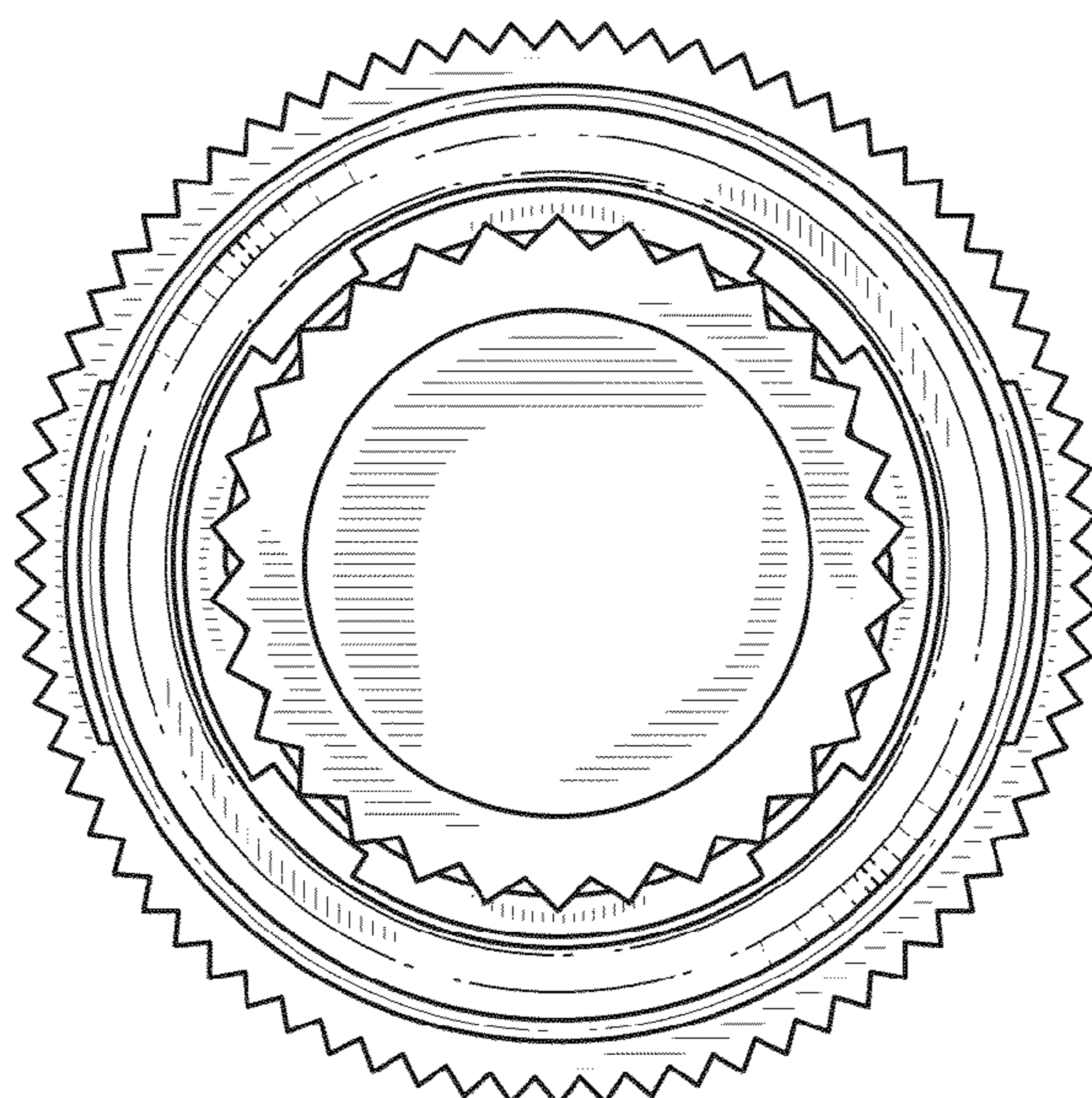


FIG. 7