



US00D720065S

(12) **United States Design Patent**
Abate et al.

(10) **Patent No.:** **US D720,065 S**
(45) **Date of Patent:** **** Dec. 23, 2014**

(54) **HOOD FOR A BURNER**

(75) Inventors: **Massimo Abate**, Legnago (IT);
Gianluca Argentini, Legnago (IT)

(73) Assignee: **Riello S.p.A.** (IT)

(**) Term: **14 Years**

(21) Appl. No.: **29/416,556**

(22) Filed: **Mar. 23, 2012**

(30) **Foreign Application Priority Data**

Feb. 14, 2012 (EM) 001314561

(51) **LOC (10) Cl.** **23-02**

(52) **U.S. Cl.**
USPC **D23/386**

(58) **Field of Classification Search**
USPC D23/385-395, 397, 370-373, 365, 351,
D23/354, 399-403, 421, 499; 454/309,
454/275-277, 284, 287-291, 358-363;
52/302.1, 32.07; 285/229, 189, 183,
285/123.1, 15, 114, 110, 424, 197; 165/59
See application file for complete search history.

(56) **References Cited**

U.S. PATENT DOCUMENTS

D289,680 S * 5/1987 Heob D23/386
D404,122 S * 1/1999 Hayashi et al. D23/370

D405,170 S * 2/1999 Haeck D23/328
D461,550 S * 8/2002 Hsin-mao D23/370
D539,408 S * 3/2007 Wu et al. D23/370
D625,799 S * 10/2010 Salisbury et al. D23/370
D636,863 S * 4/2011 Isoda et al. D23/370
8,056,933 B2 * 11/2011 Liptak 285/189
D667,536 S * 9/2012 Zengin D23/351
D669,571 S * 10/2012 Penlesky et al. D23/393
D673,668 S * 1/2013 Lingenfelter D23/393
D694,872 S * 12/2013 Gustafsson et al. D23/393
D701,299 S * 3/2014 Oba D23/370

* cited by examiner

Primary Examiner — David Muller

(74) *Attorney, Agent, or Firm* — Davidson Berquist Jackson
& Gowdey LLP

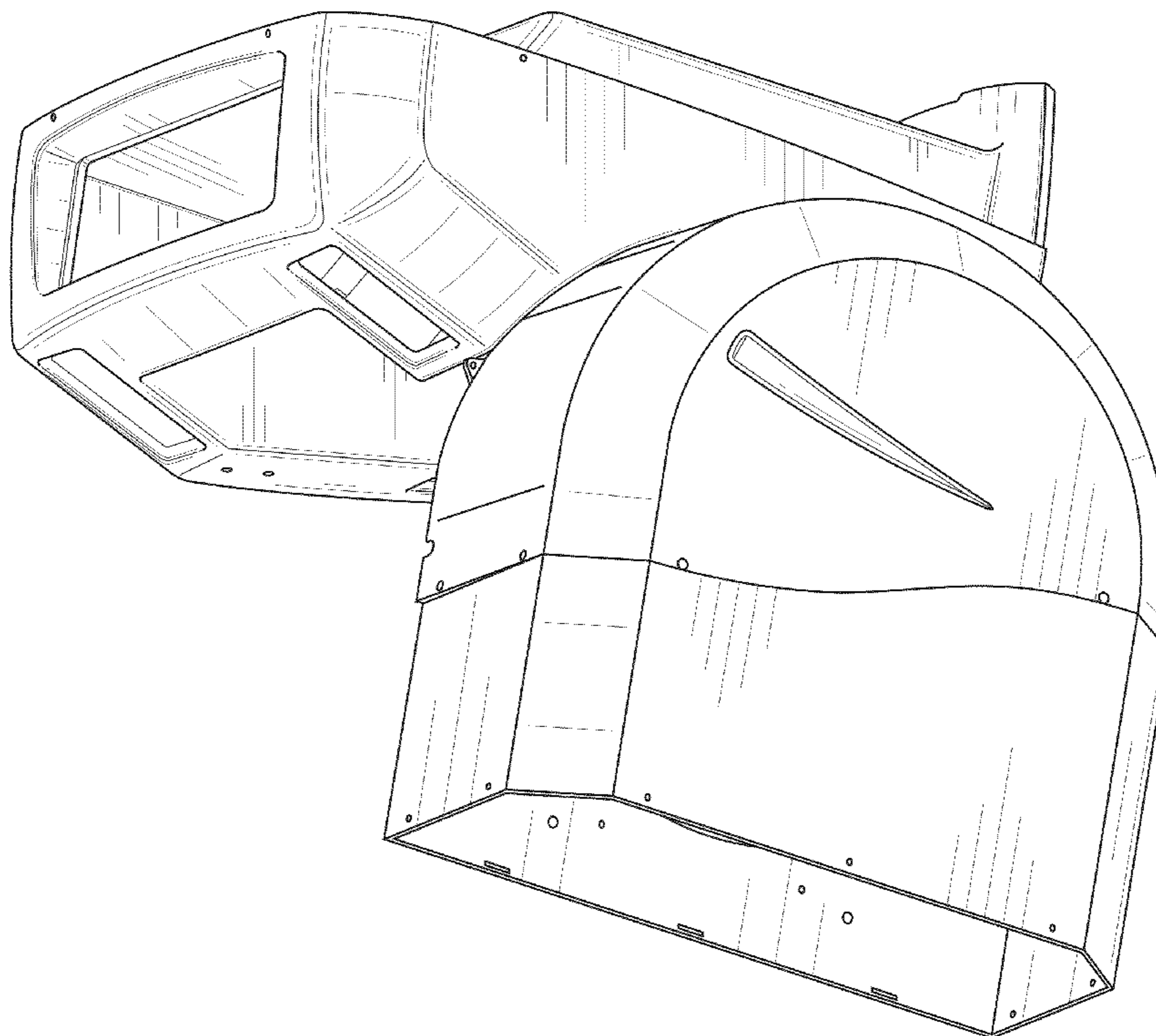
(57) **CLAIM**

The ornamental design for a hood for a burner, as shown and described.

DESCRIPTION

FIG. 1 is a perspective view of a hood for a burner according to the present design;
FIG. 2 is a rear view thereof;
FIG. 3 is a front view thereof;
FIG. 4 is a right lateral view thereof;
FIG. 5 is a left lateral view thereof;
FIG. 6 is a top view thereof; and,
FIG. 7 is a bottom view thereof.

1 Claim, 7 Drawing Sheets



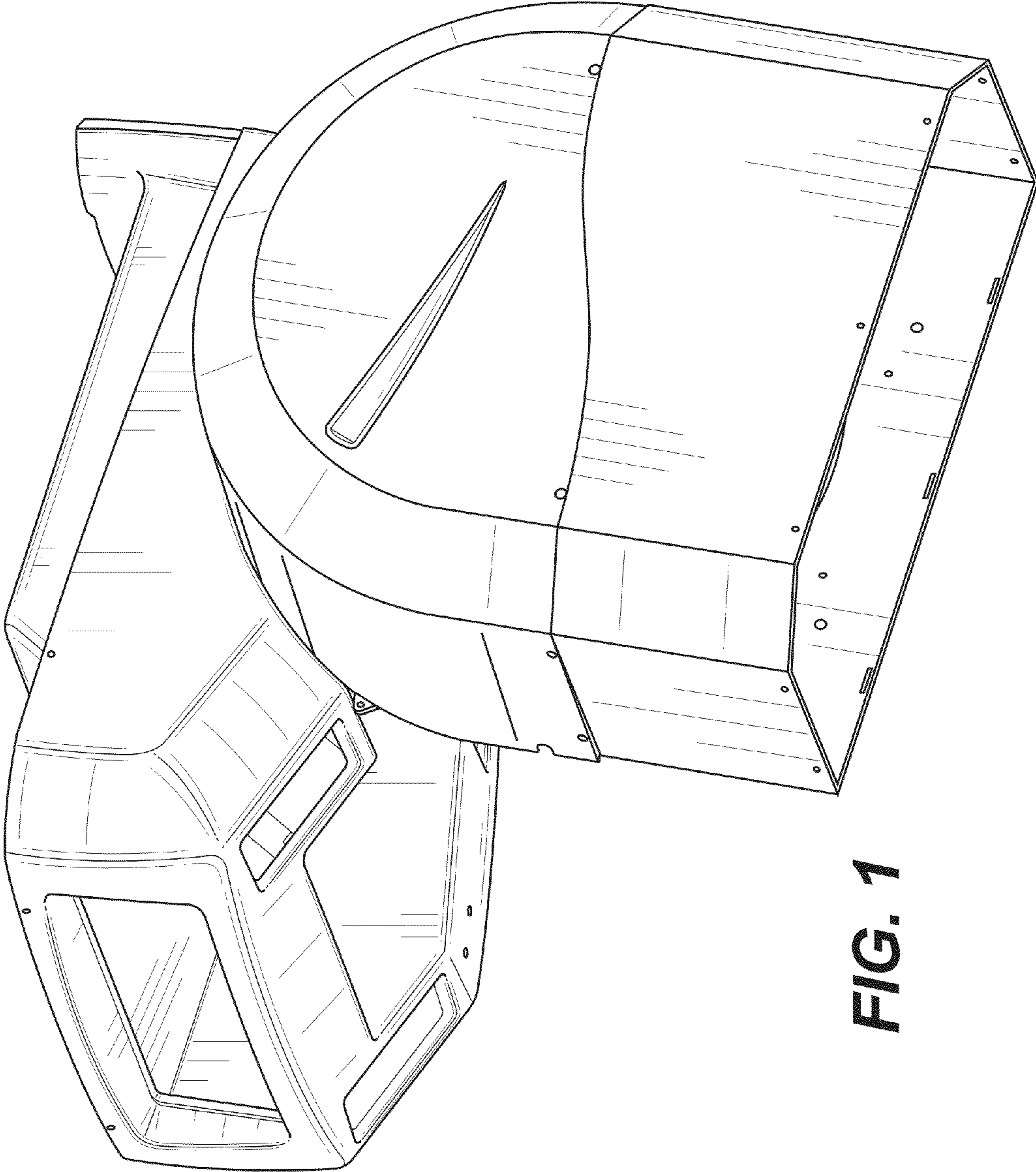


FIG. 1

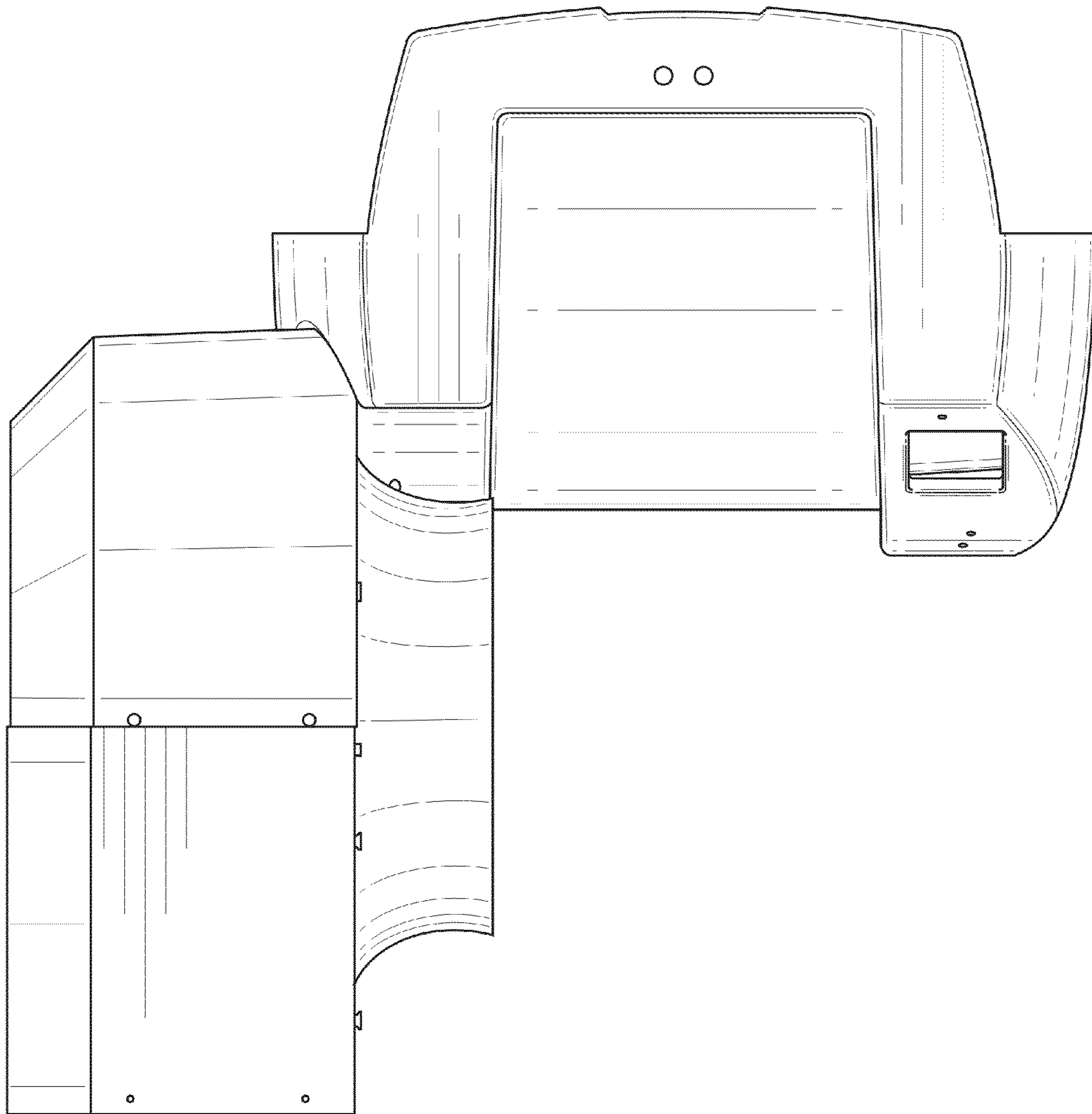


FIG. 2

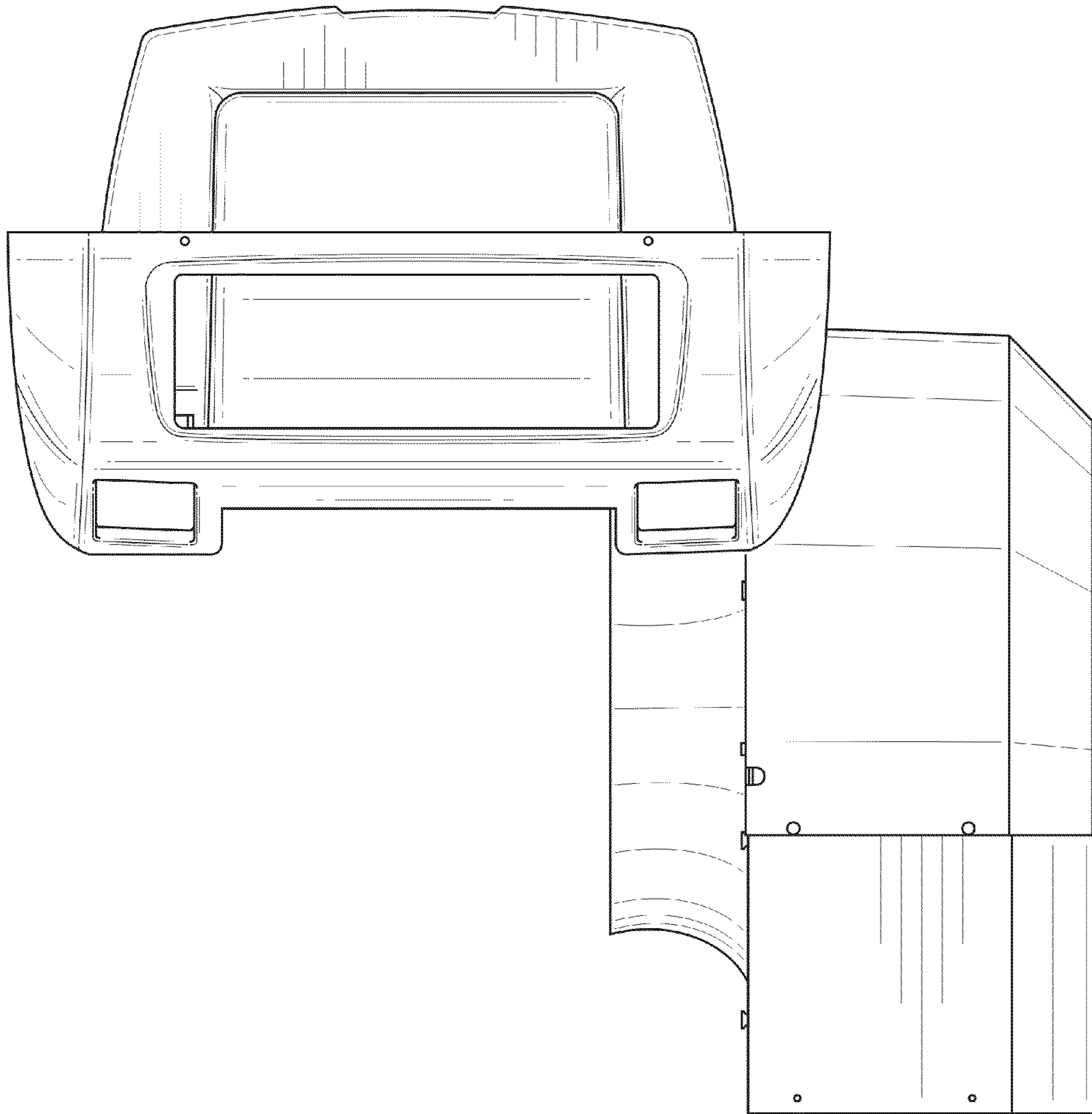


FIG. 3

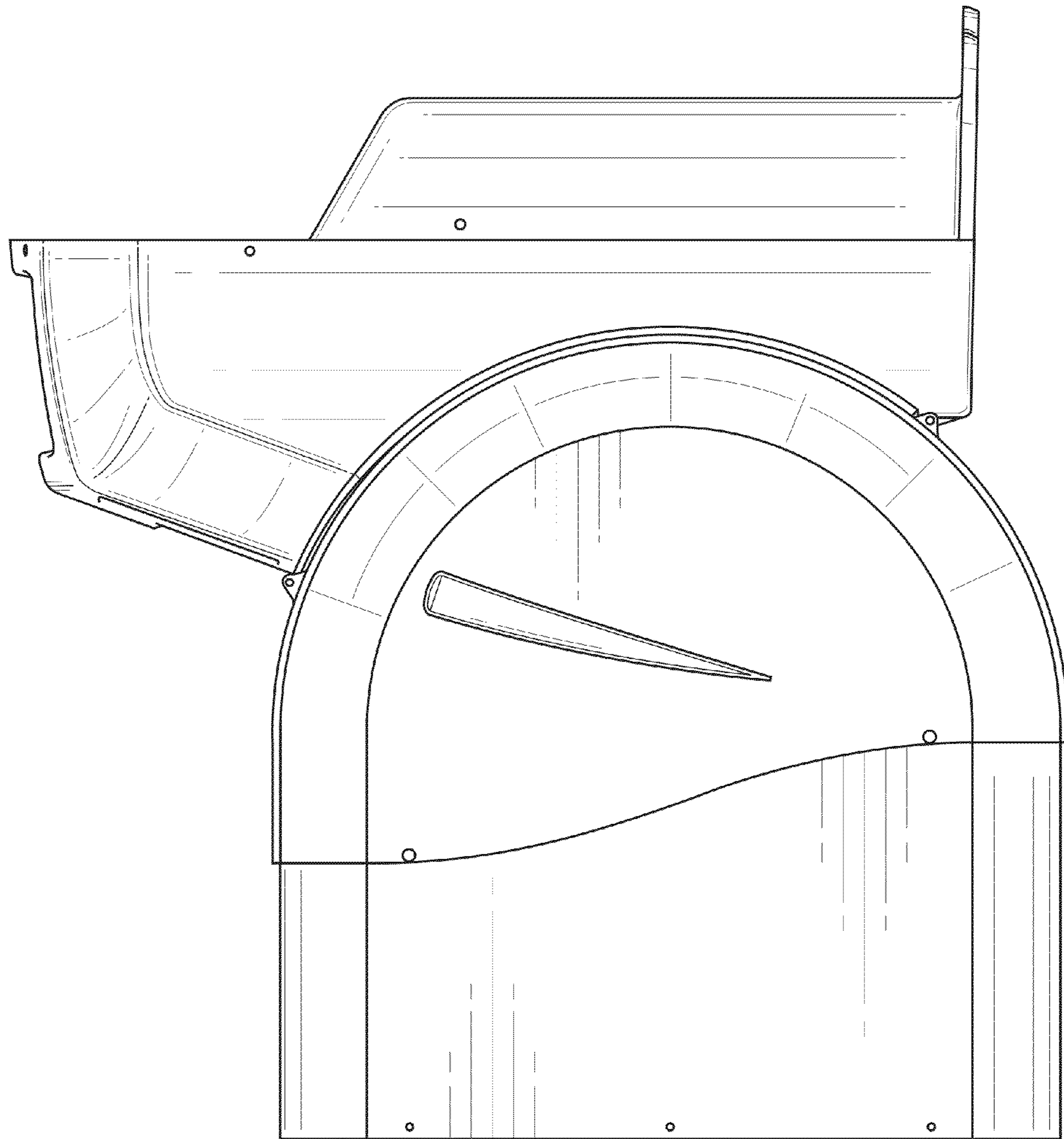


FIG. 4

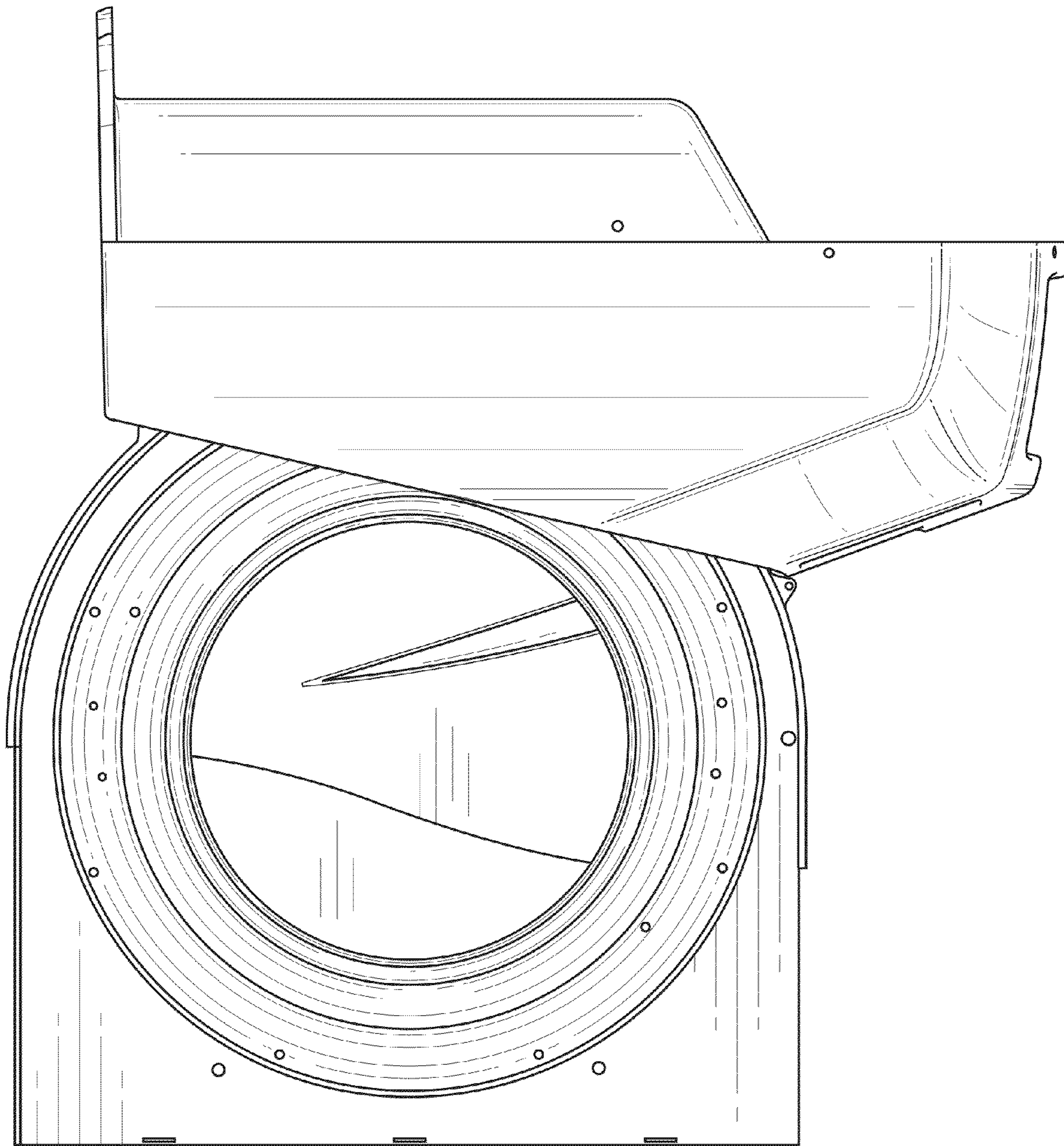


FIG. 5

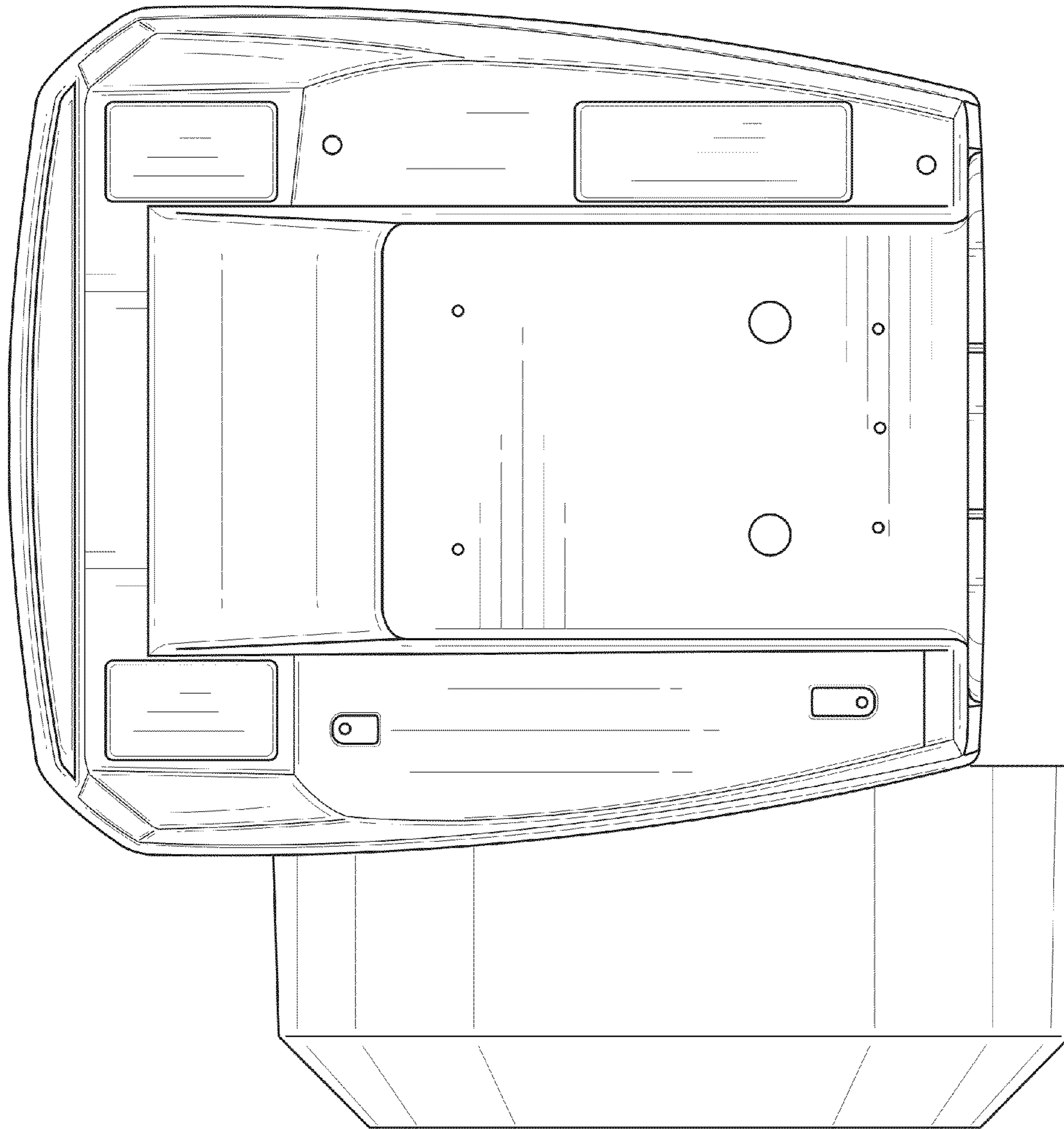


FIG. 6

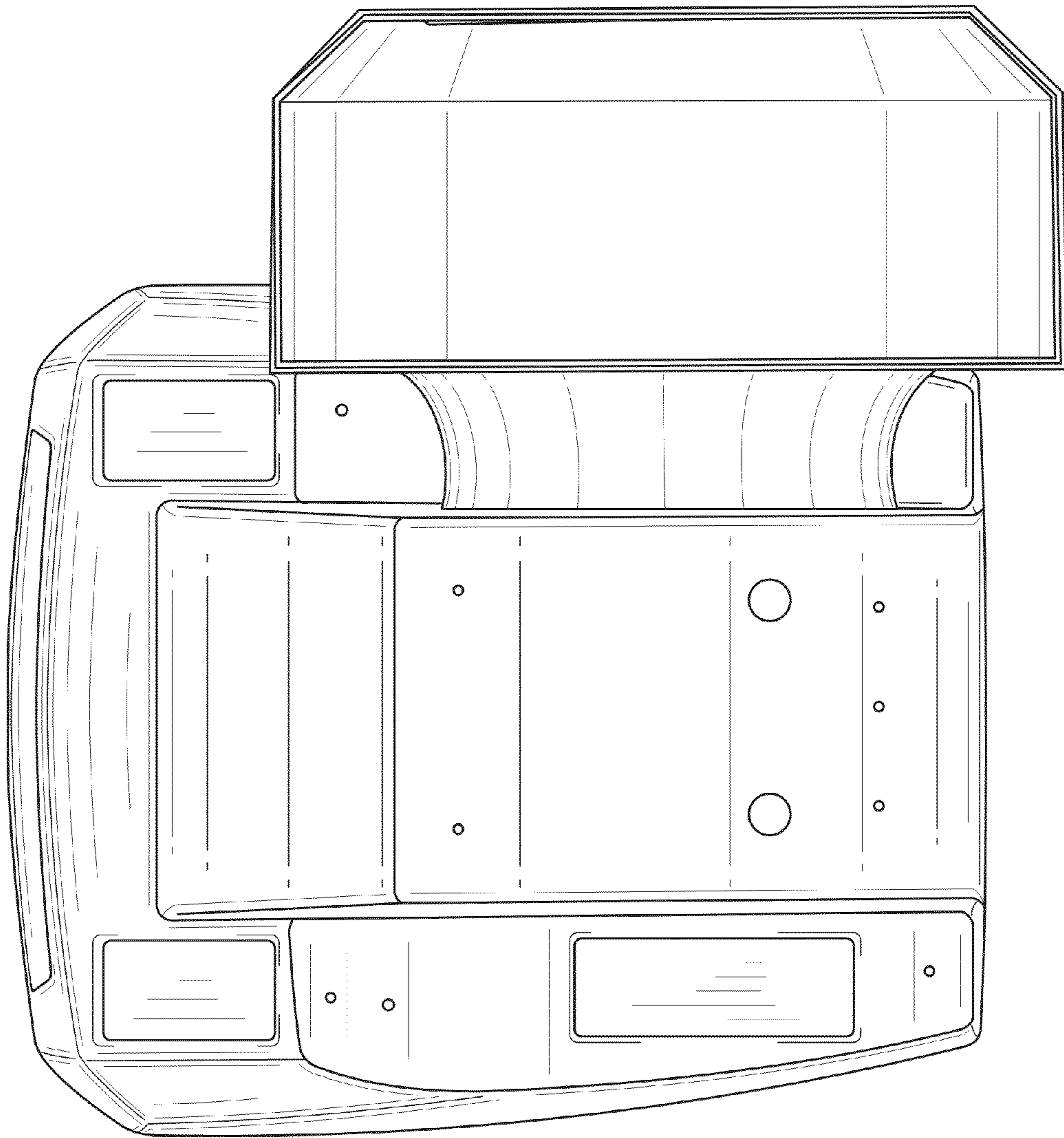


FIG. 7