



US00D720064S

(12) **United States Design Patent**  
**Li**

(10) **Patent No.:** **US D720,064 S**  
(45) **Date of Patent:** **\*\* Dec. 23, 2014**

(54) **AROMA DIFFUSER**

(71) Applicant: **Puzhen Life Co., Ltd.**, Hong Kong  
(HK)

(72) Inventor: **Dong Sheng Li**, Hong Kong (HK)

(73) Assignee: **Puzhen Life Co., Ltd.**, Hong Kong  
(HK)

(\*\*) Term: **14 Years**

(21) Appl. No.: **29/500,036**

(22) Filed: **Aug. 21, 2014**

(30) **Foreign Application Priority Data**

Jul. 8, 2014 (CN) ..... 2014 3 0227011

(51) **LOC (10) Cl.** ..... **28-99**

(52) **U.S. Cl.**  
USPC ..... **D23/366**

(58) **Field of Classification Search**

USPC ..... D23/355-369; D28/5, 6; 261/DIG. 17,  
261/DIG. 42, DIG. 65, DIG. 88, DIG. 89;  
392/386, 390, 394, 395; 239/34, 44,  
239/53, 55, 56, 326; D26/14, 17, 98, 9, 22,  
D26/24; D11/131.1; D7/509, 522, 524, 537  
See application file for complete search history.

(56) **References Cited**

**U.S. PATENT DOCUMENTS**

D224,783 S \* 9/1972 Jones ..... D23/369  
D509,894 S \* 9/2005 Hoyt et al. .... D23/366

D510,134 S \* 9/2005 Lablaine ..... D23/366  
D536,434 S \* 2/2007 DongSheng ..... D23/366  
D548,317 S \* 8/2007 Newton et al. .... D23/366  
D577,428 S \* 9/2008 Sun ..... D23/366  
D588,687 S \* 3/2009 Drucker et al. .... D23/366  
D597,192 S \* 7/2009 Drucker et al. .... D23/366  
D608,436 S \* 1/2010 Drucker et al. .... D23/366  
D613,844 S \* 4/2010 Jorgensen ..... D23/366  
7,992,801 B2 \* 8/2011 Jorgensen ..... 239/102.2  
D675,309 S \* 1/2013 Freeborn et al. .... D23/366  
D696,892 S \* 1/2014 Bretillot ..... D7/316  
2006/0249518 A1 \* 11/2006 Festa ..... 220/669  
2007/0204511 A1 \* 9/2007 Lee et al. .... 47/66.1  
2008/0279731 A1 \* 11/2008 Goreham et al. .... 422/125

\* cited by examiner

*Primary Examiner* — Sandra Snapp

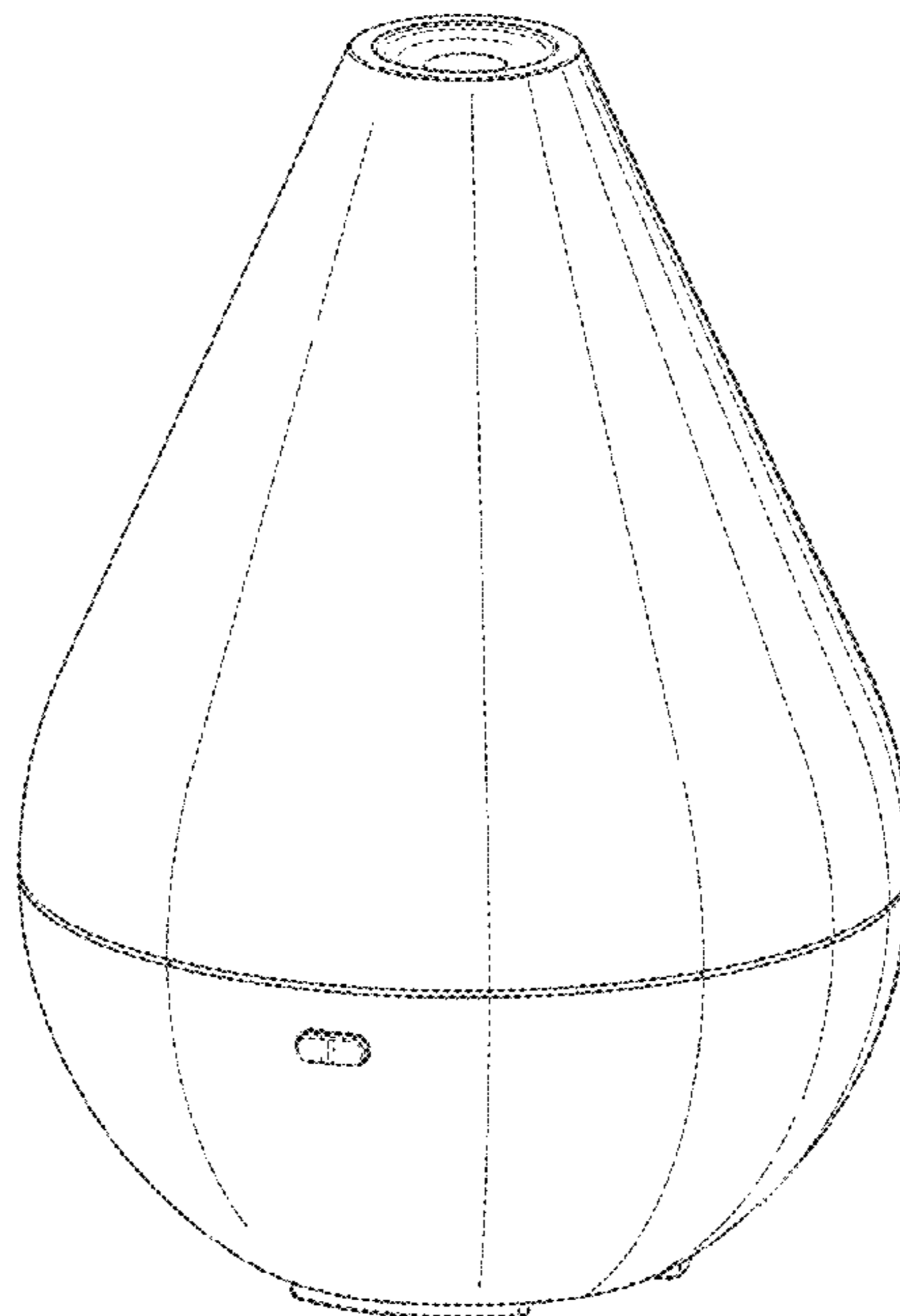
(57) **CLAIM**

The ornamental design for an aroma diffuser, as shown and described.

**DESCRIPTION**

FIG. 1 is a perspective view of an aroma diffuser showing my new design;  
FIG. 2 is a front elevational view thereof;  
FIG. 3 is a rear elevational view thereof;  
FIG. 4 is a left side view thereof;  
FIG. 5 is a right side view thereof;  
FIG. 6 is a top plan view thereof; and,  
FIG. 7 is a bottom plan view thereof.  
The broken lines shown in the drawings are for illustrative purposes only and form no part of the claimed design.

**1 Claim, 7 Drawing Sheets**



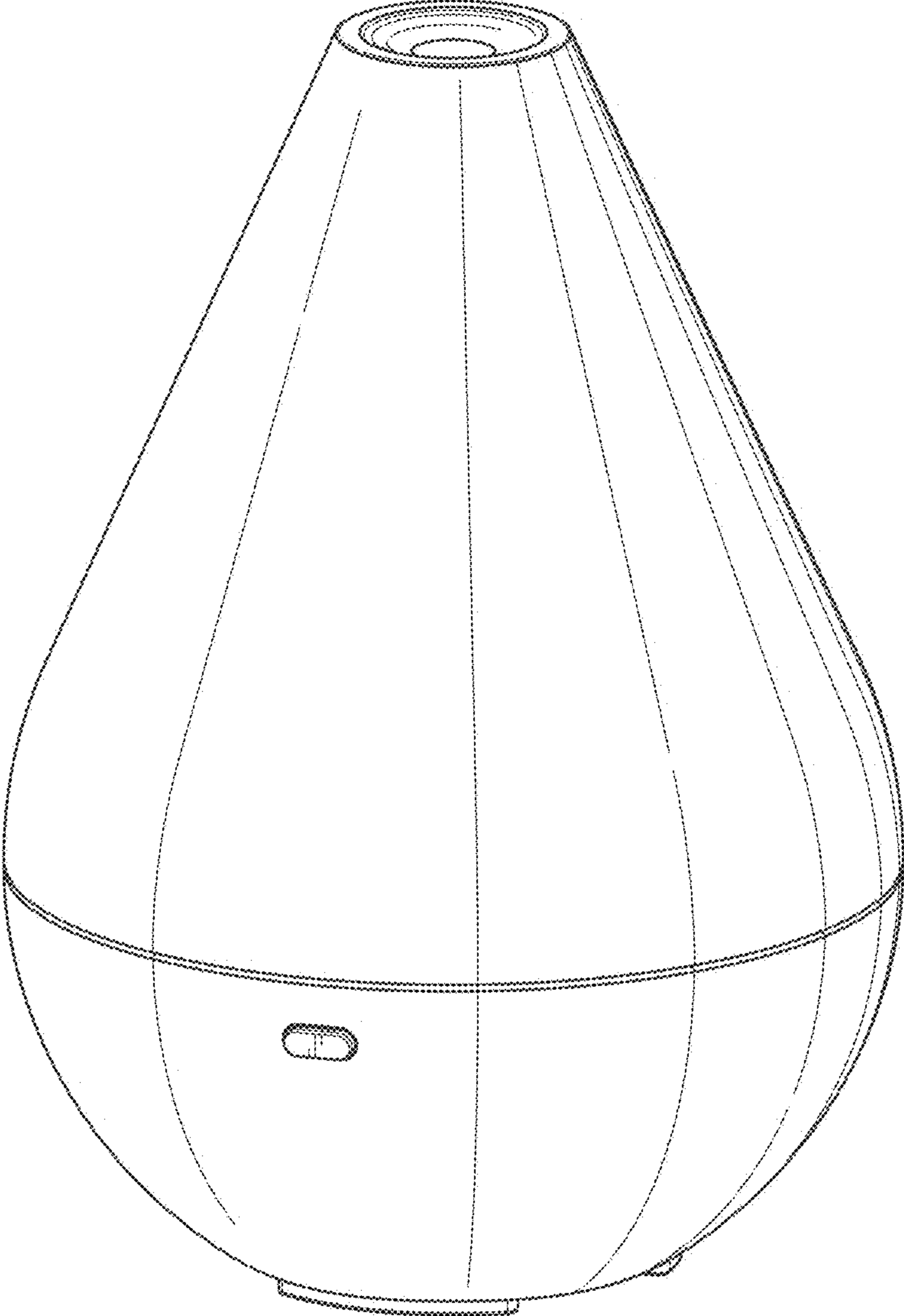


FIG. 1

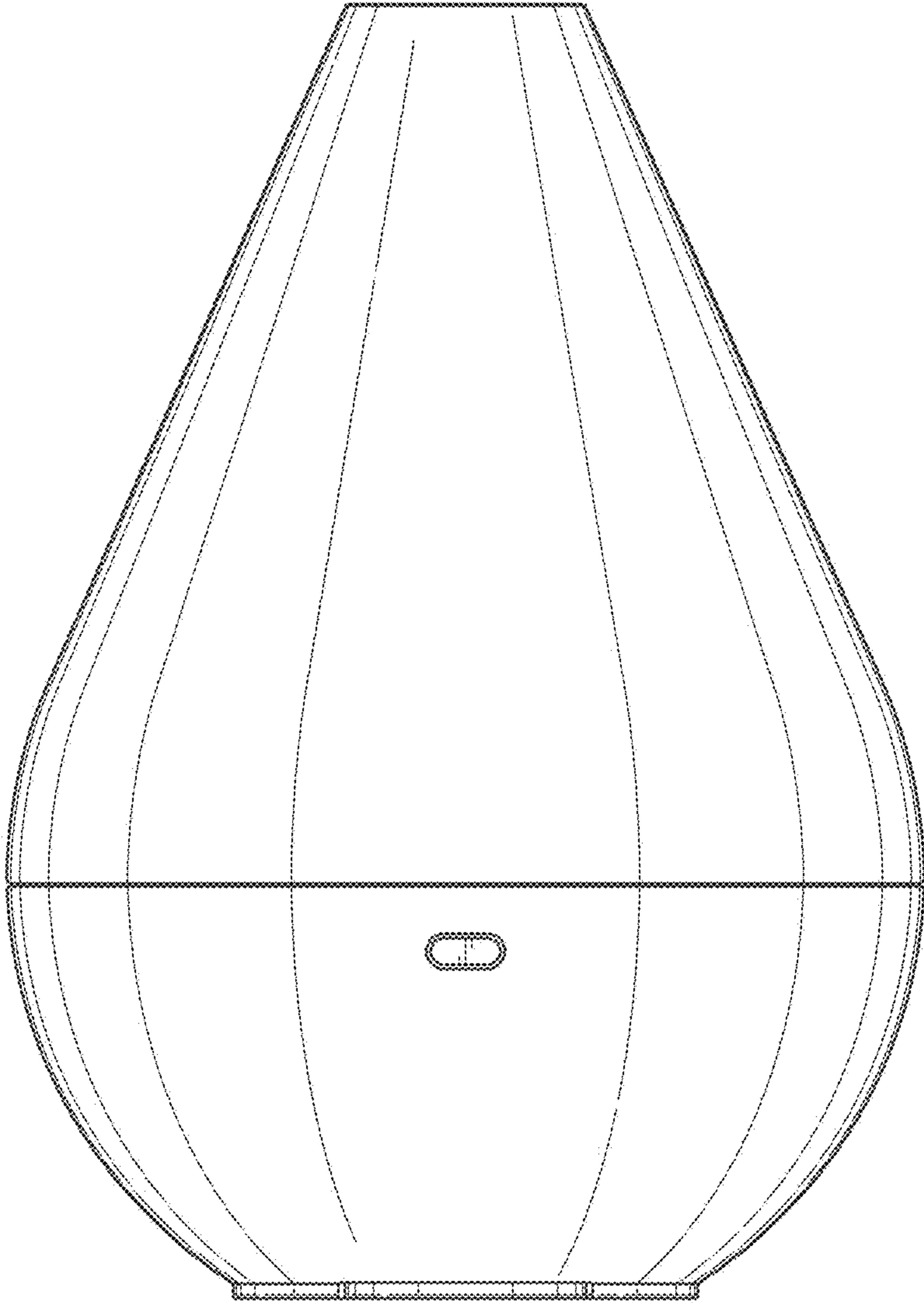


FIG. 2

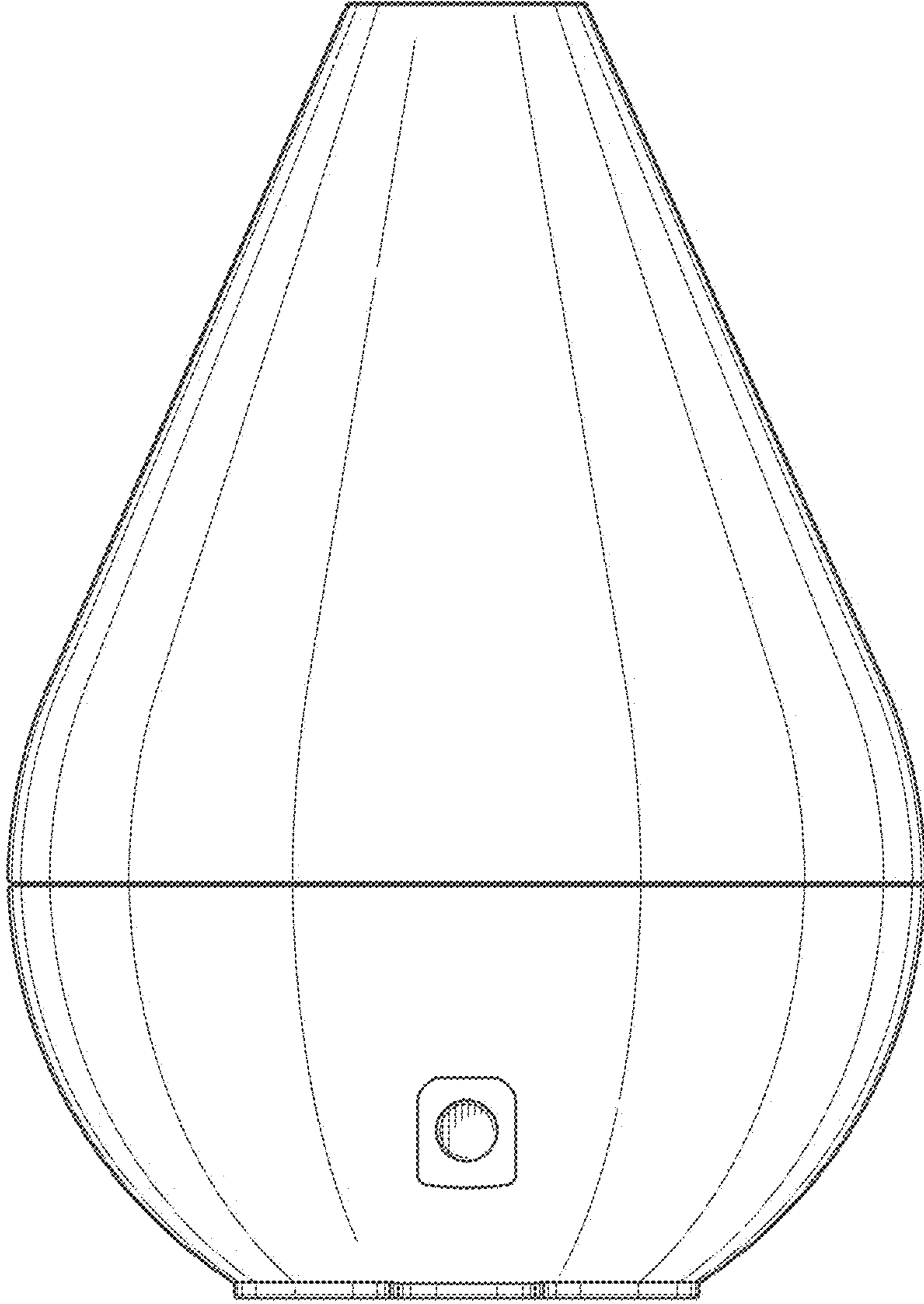


FIG. 3

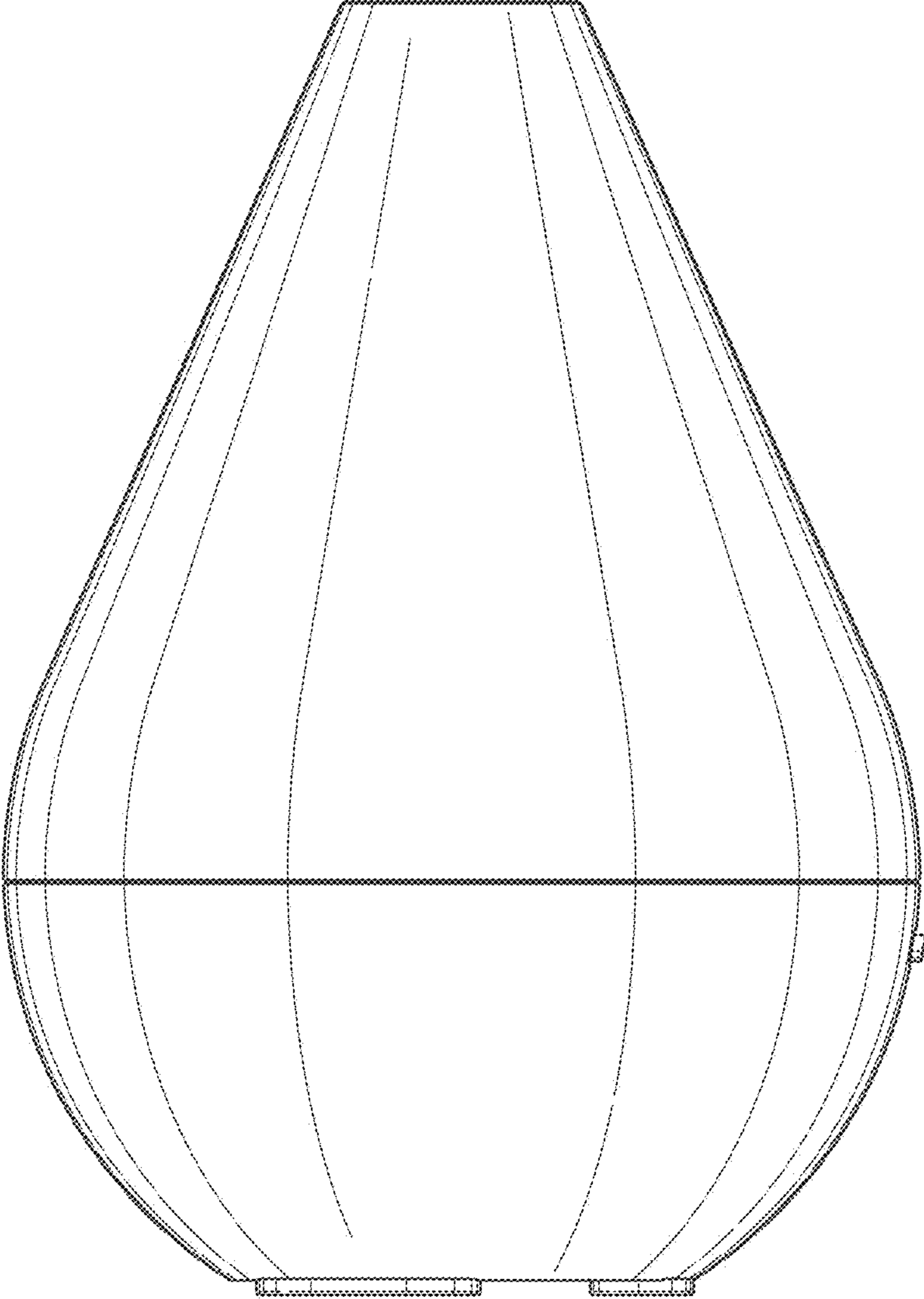


FIG. 4

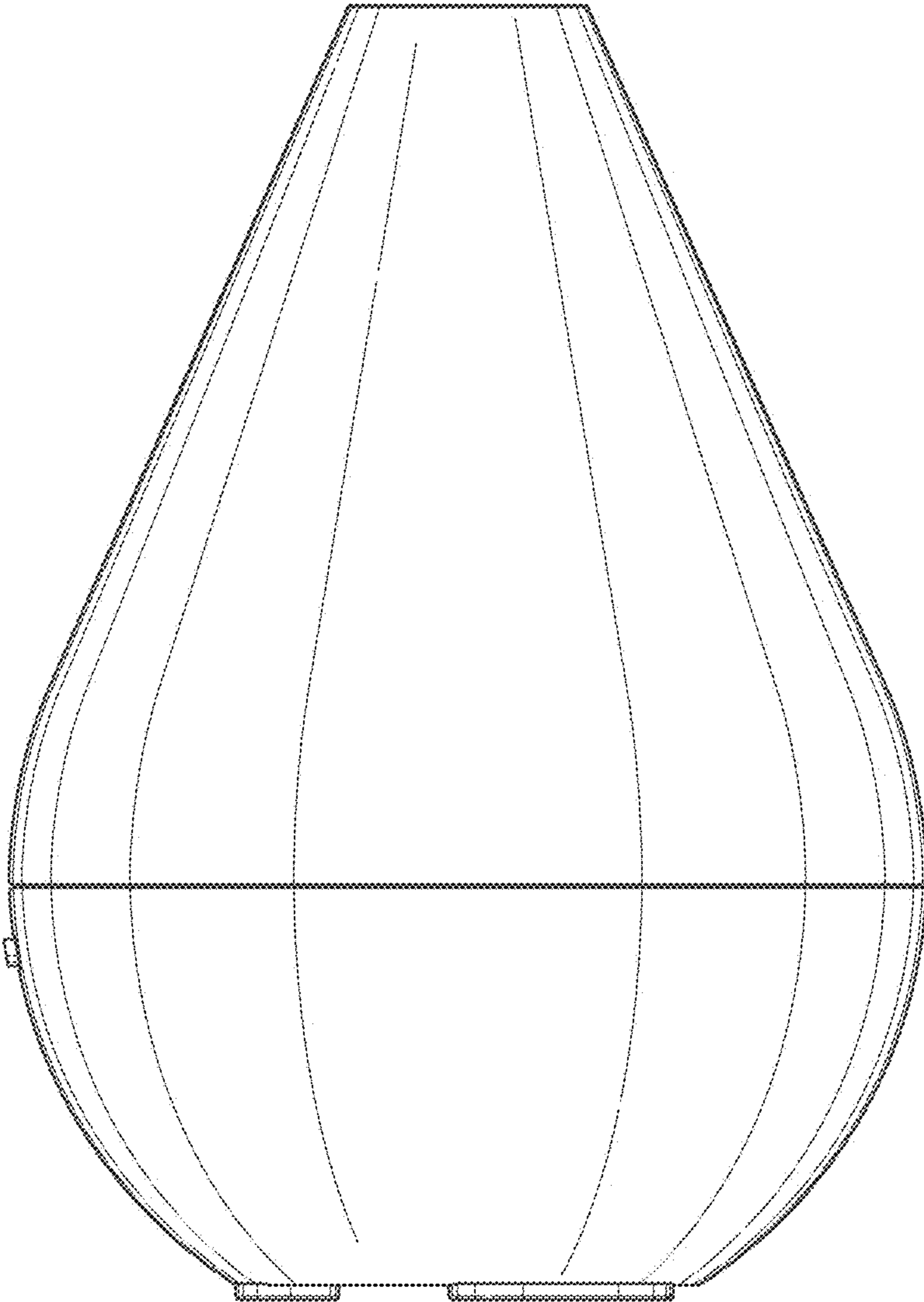


FIG. 5

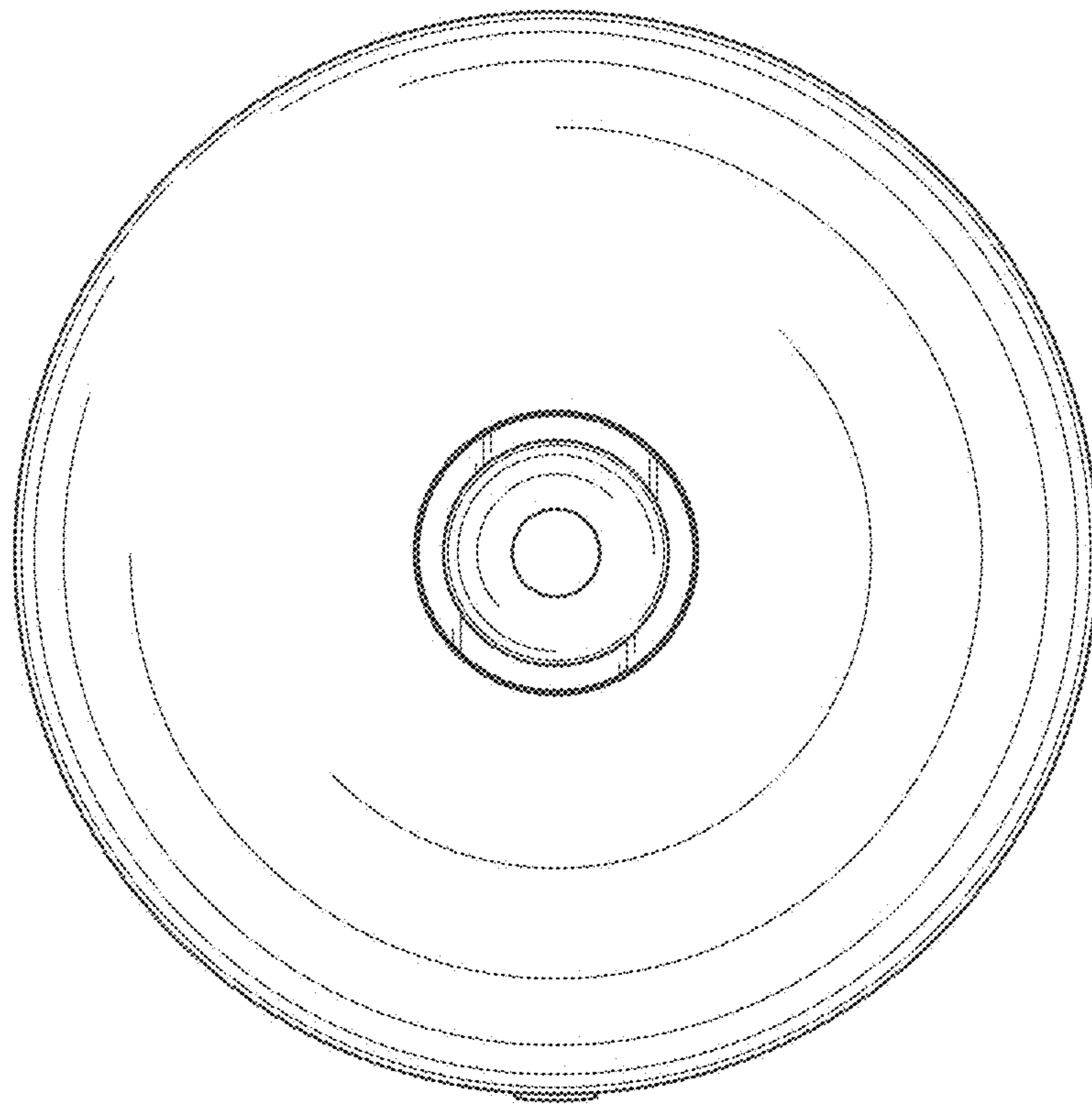


FIG. 6

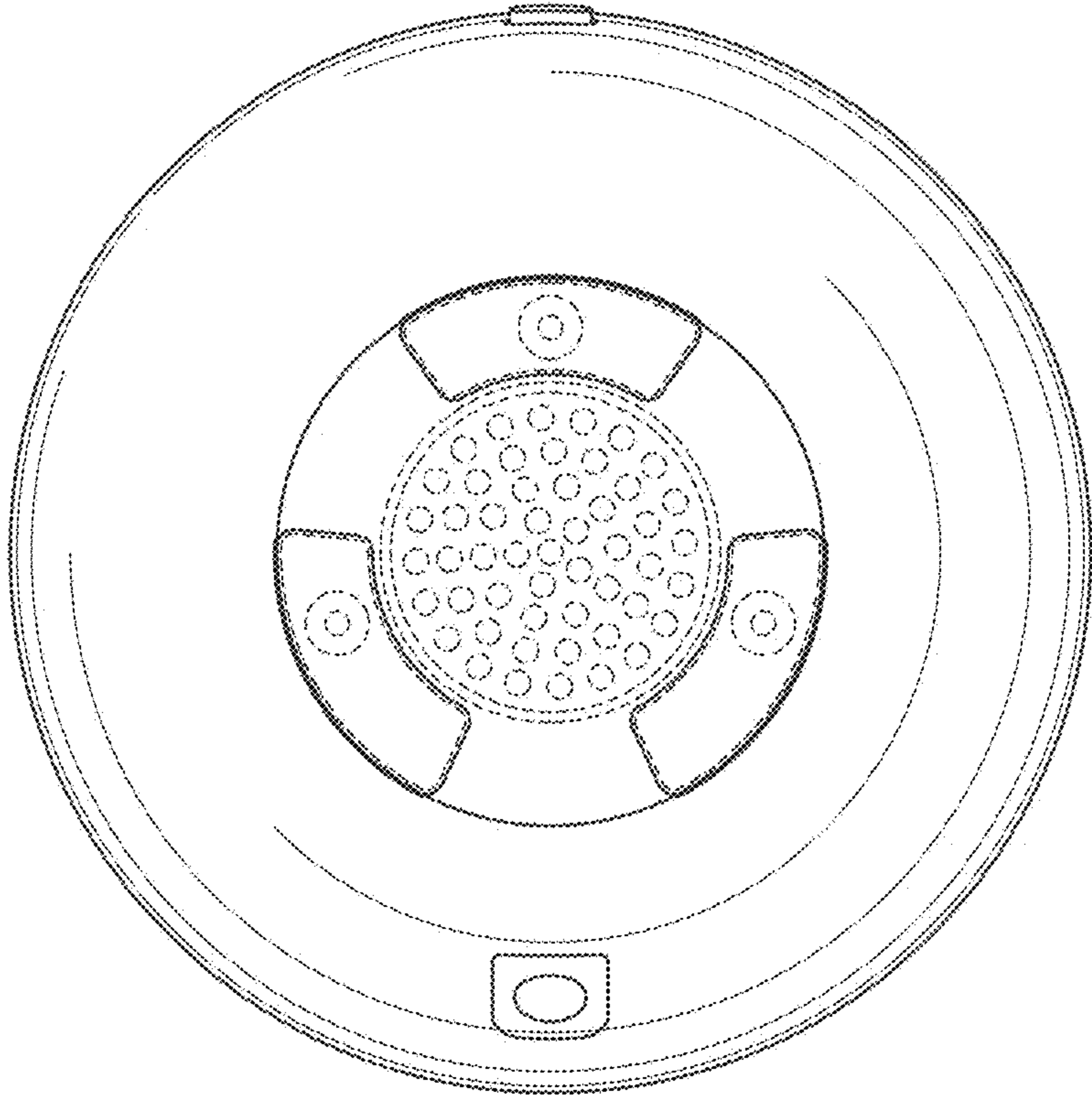


FIG. 7