



US00D720063S

(12) **United States Design Patent**  
**Li**

(10) **Patent No.:** **US D720,063 S**

(45) **Date of Patent:** **\*\* Dec. 23, 2014**

(54) **AROMA DIFFUSER**

(71) Applicant: **Puzhen Life Co., Ltd.**, Hong Kong (HK)

(72) Inventor: **Dong Sheng Li**, Hong Kong (HK)

(73) Assignee: **Puzhen Life Co., Ltd.**, Hong Kong (HK)

(\*\*) Term: **14 Years**

(21) Appl. No.: **29/500,035**

(22) Filed: **Aug. 21, 2014**

(30) **Foreign Application Priority Data**

Jul. 8, 2014 (CN) ..... 2014 3 0227174

(51) **LOC (10) Cl.** ..... **28-99**

(52) **U.S. Cl.**  
USPC ..... **D23/366**

(58) **Field of Classification Search**

USPC ..... D23/355-369; D28/5, 6; 392/386, 390, 392/394, 395; 239/34, 44, 53, 55, 56, 326; D26/14, 17, 98, 9, 22, 24; D11/131.1; D7/509, 522, 524, 537; 261/DIG. 17, 261/DIG. 42, DIG. 65, DIG. 88, DIG. 89  
See application file for complete search history.

(56) **References Cited**

**U.S. PATENT DOCUMENTS**

D319,781 S \* 9/1991 Halm et al. .... D32/29.1  
D449,877 S \* 10/2001 Delmenico et al. .... D23/356

6,435,694 B1 *	8/2002	Bell et al. ....	362/161
D509,893 S *	9/2005	Sevy .....	D23/366
D535,376 S *	1/2007	Michaels et al. ....	D23/366
D544,084 S *	6/2007	Michaels et al. ....	D23/366
D611,587 S *	3/2010	Dineen .....	D23/366
D611,588 S *	3/2010	Jorgensen .....	D23/366
D621,494 S *	8/2010	Li .....	D23/366
D621,495 S *	8/2010	Li .....	D23/366
D622,835 S *	8/2010	Mendheim .....	D23/364
D637,275 S *	5/2011	Baraky .....	D23/366
D650,056 S *	12/2011	Li .....	D23/366
D662,581 S *	6/2012	Savegnago .....	D23/366
D692,547 S *	10/2013	Wirz .....	D23/366
D692,551 S *	10/2013	Wirz .....	D23/366
D696,763 S *	12/2013	Li .....	D23/366
D698,910 S *	2/2014	Lin .....	D23/366

\* cited by examiner

*Primary Examiner* — Sandra Snapp

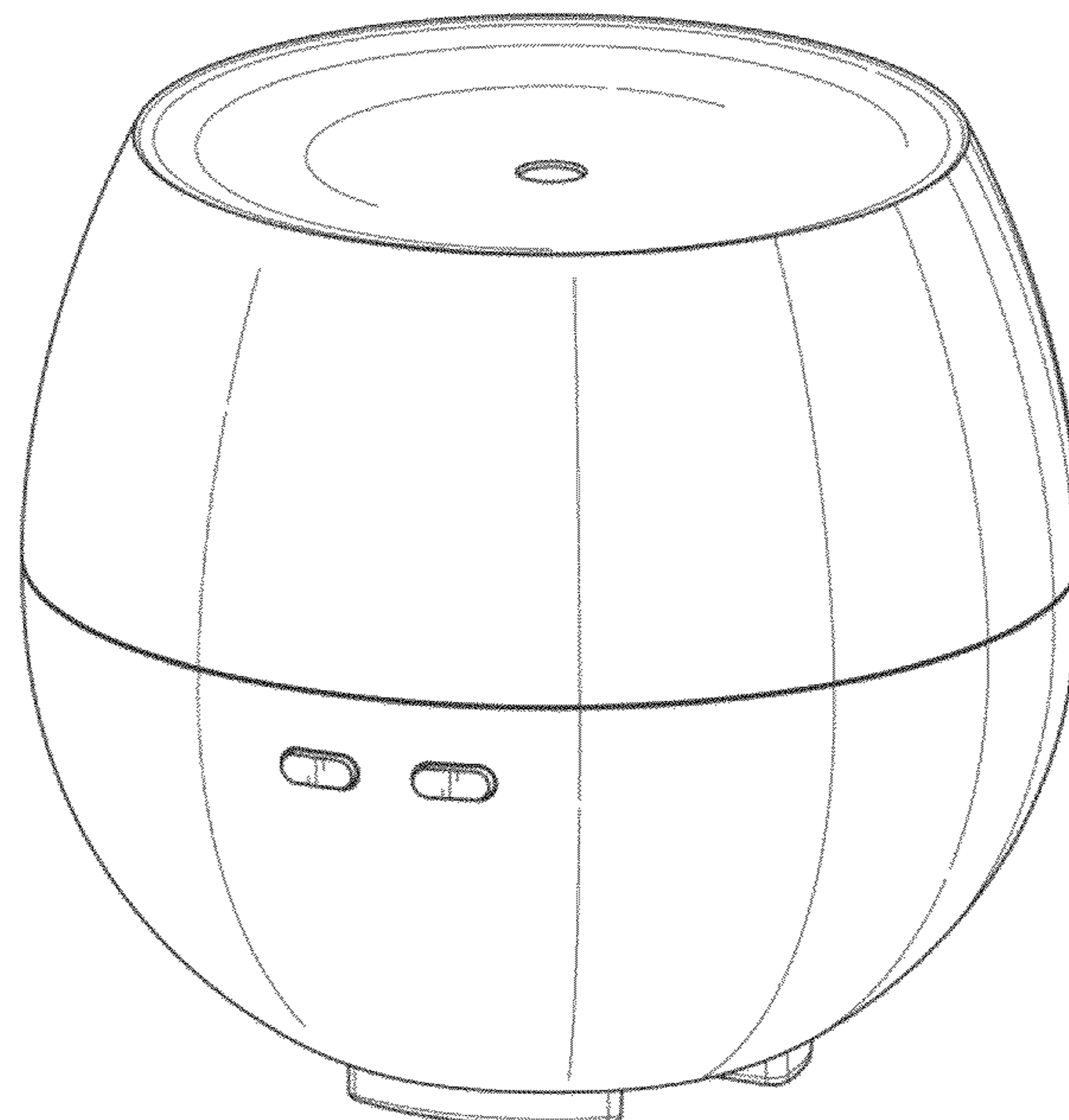
(57) **CLAIM**

The ornamental design for an aroma diffuser, as shown and described.

**DESCRIPTION**

FIG. 1 is a perspective view of an aroma diffuser showing my new design;  
FIG. 2 is a front elevational view thereof;  
FIG. 3 is a rear elevational view thereof;  
FIG. 4 is a left side view thereof;  
FIG. 5 is a right side view thereof;  
FIG. 6 is a top plan view thereof; and,  
FIG. 7 is a bottom plan view thereof.  
The broken lines shown in the drawings are for illustrative purposes only and form no part of the claimed design.

**1 Claim, 5 Drawing Sheets**



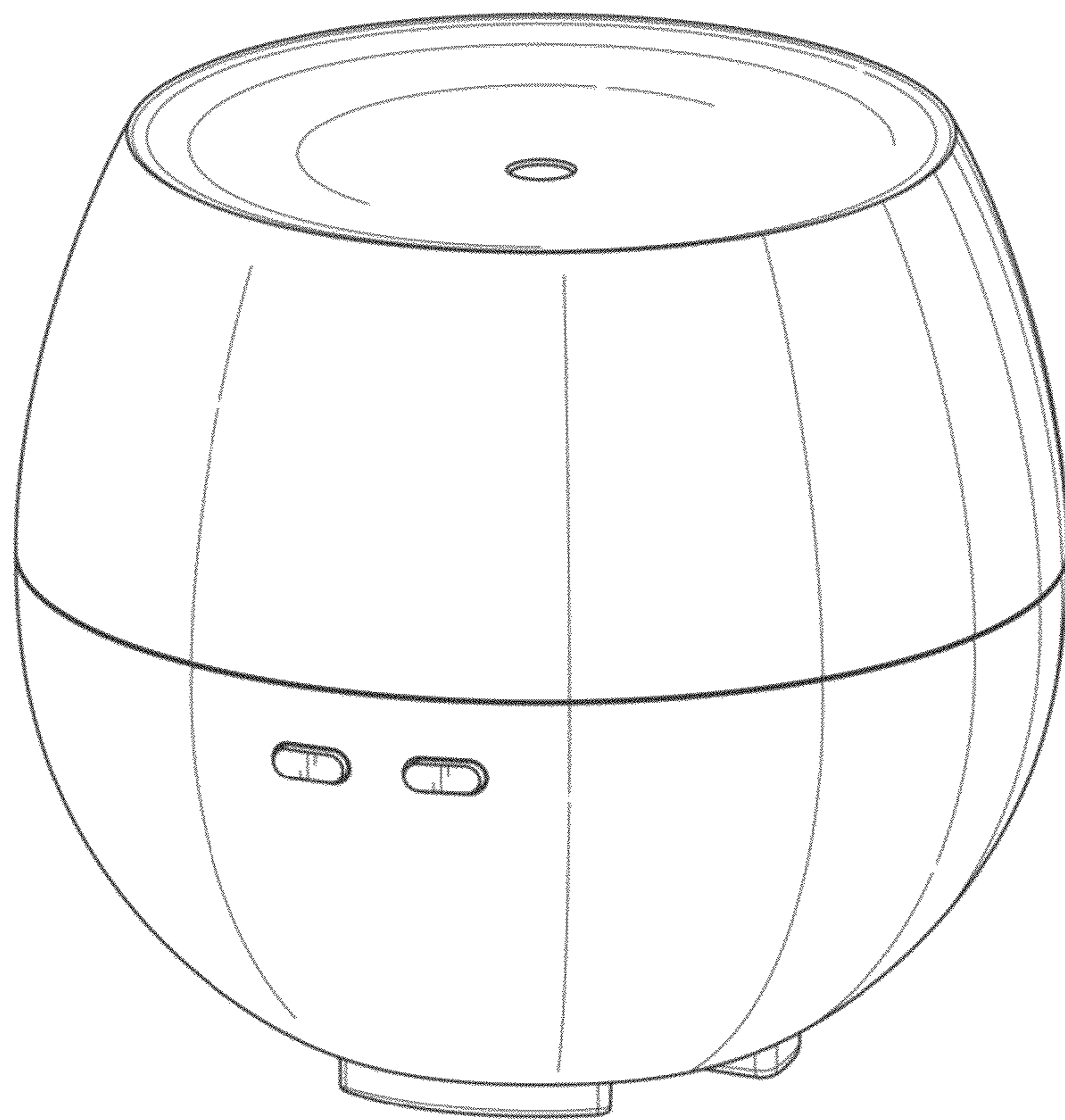


FIG. 1

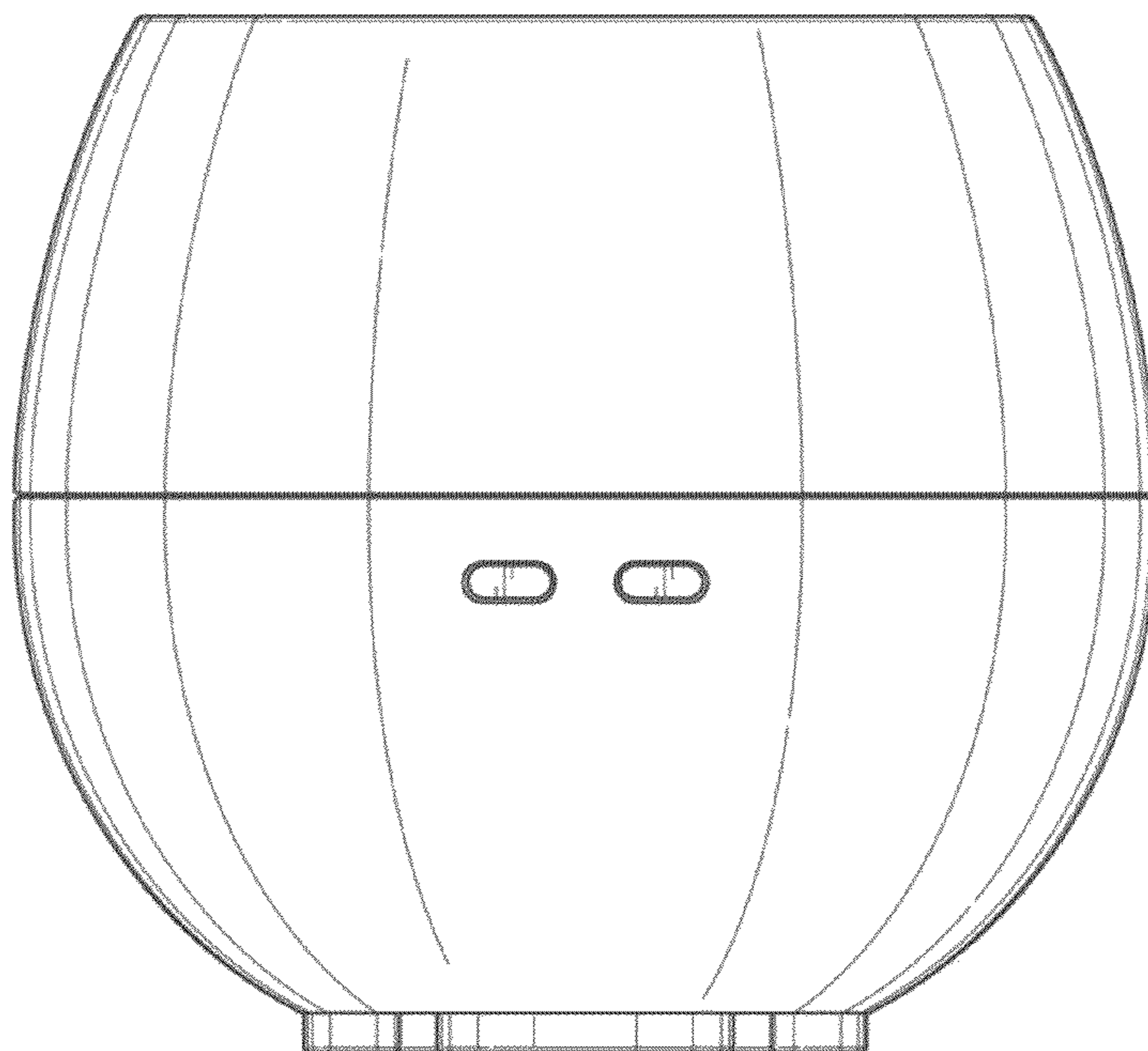


FIG. 2

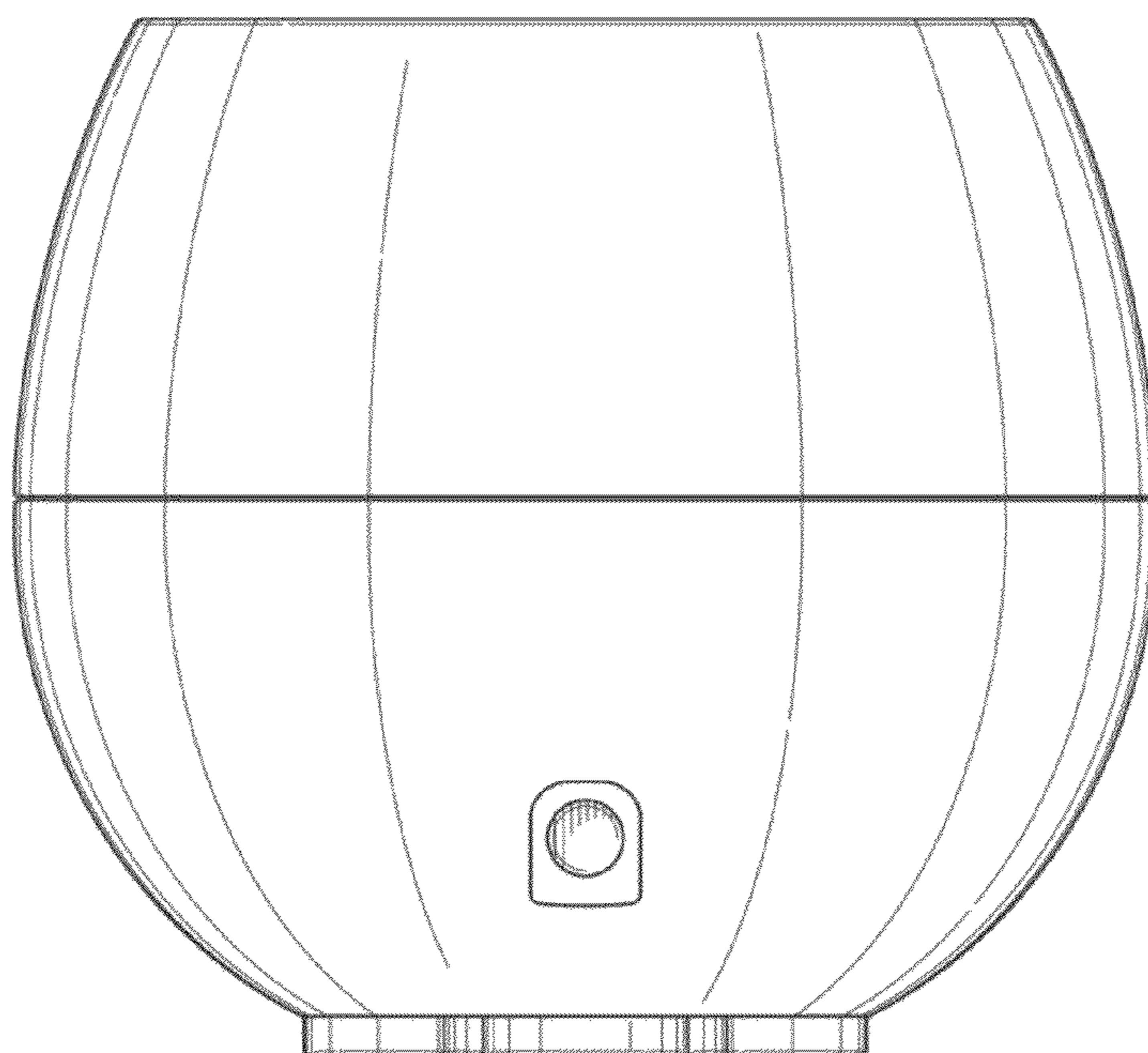


FIG. 3

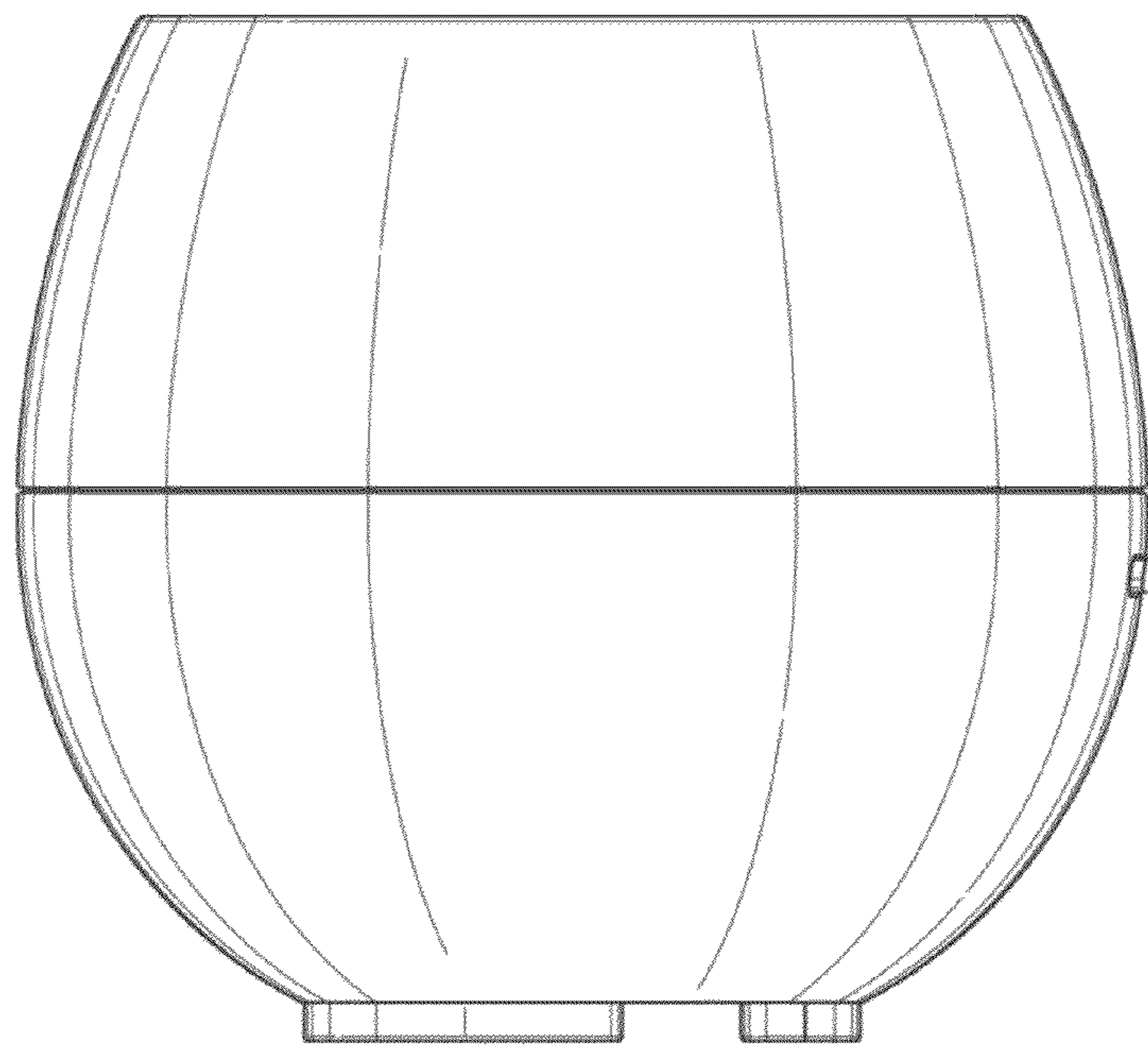


FIG. 4

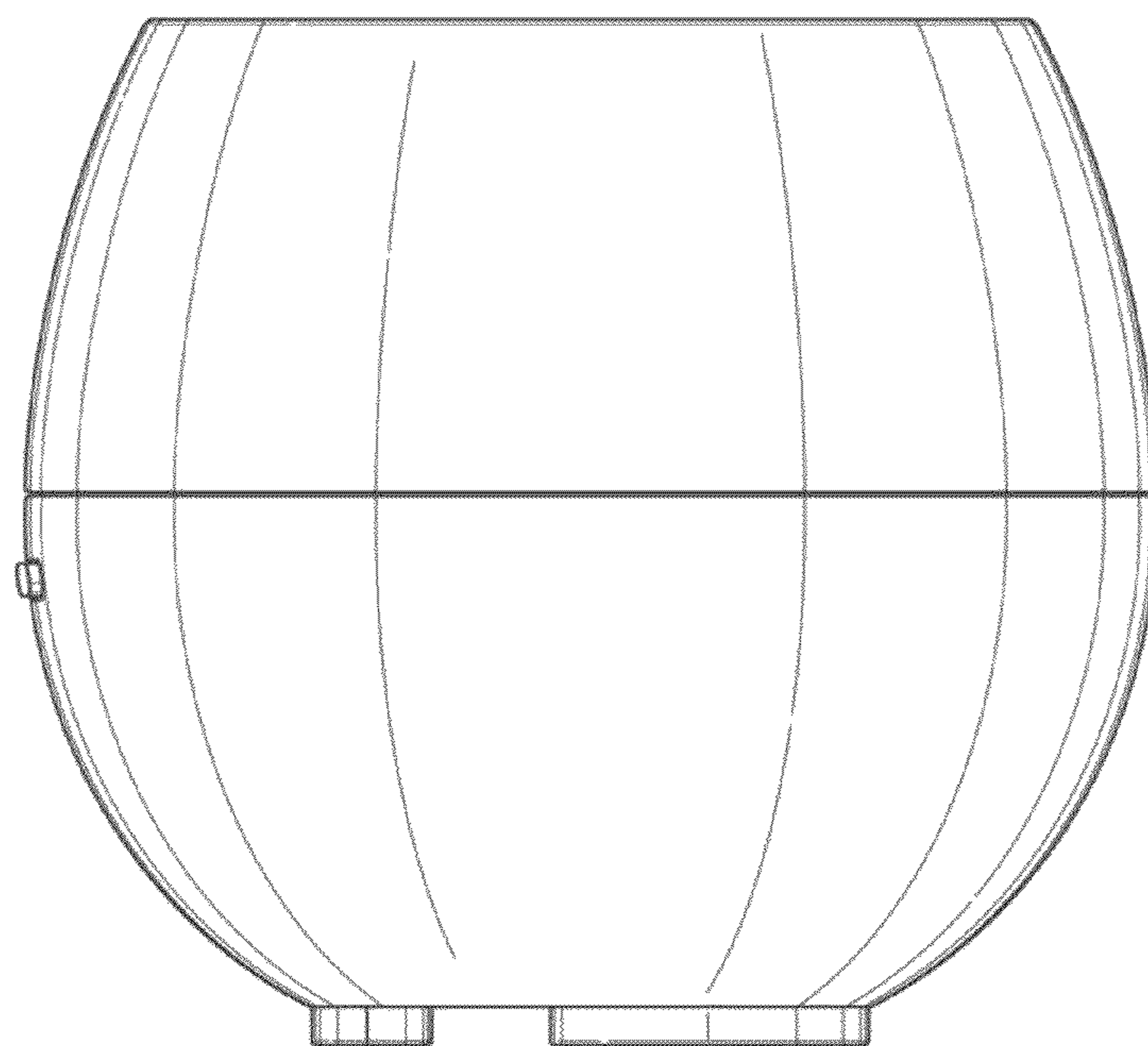


FIG. 5

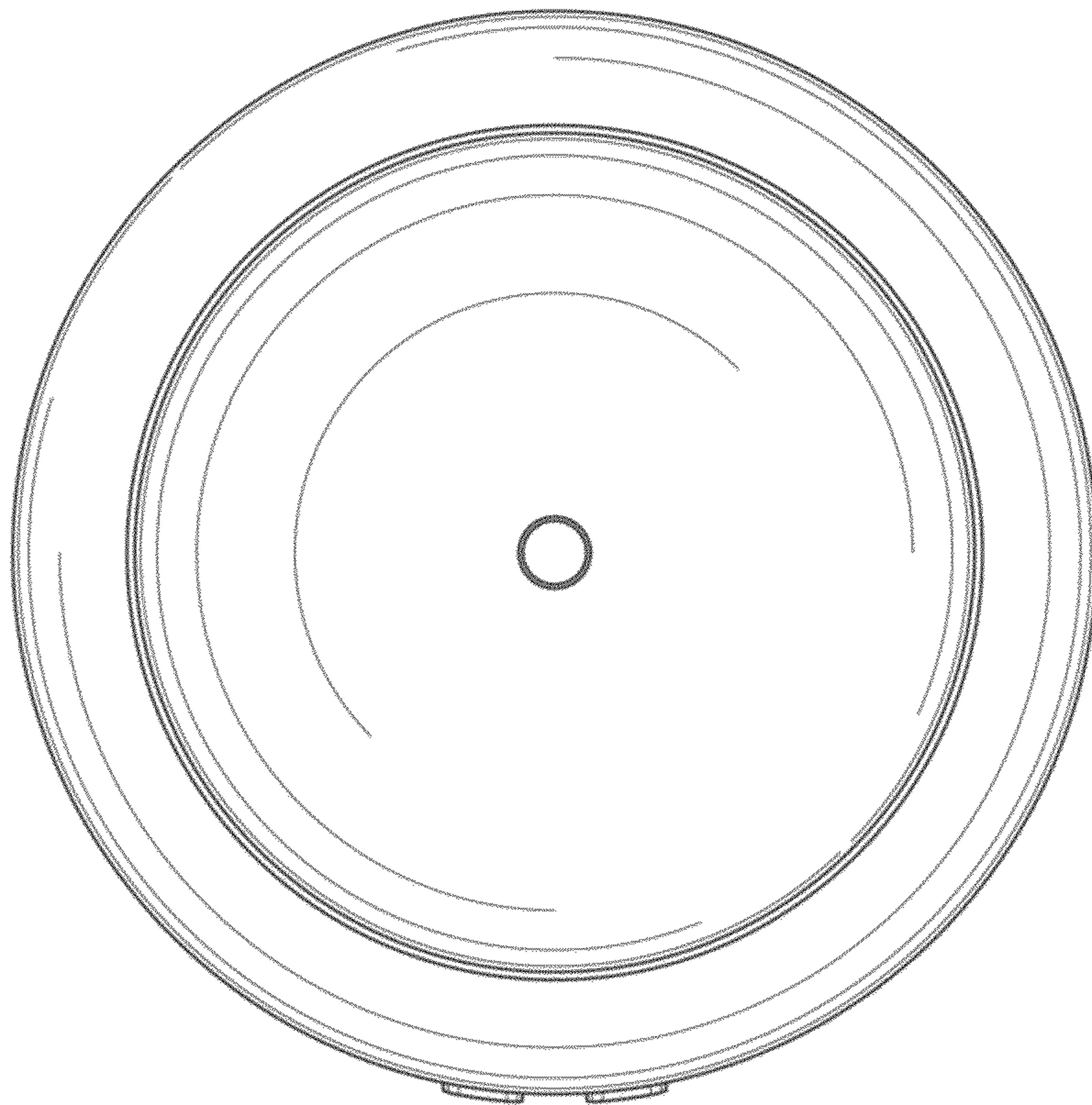


FIG. 6

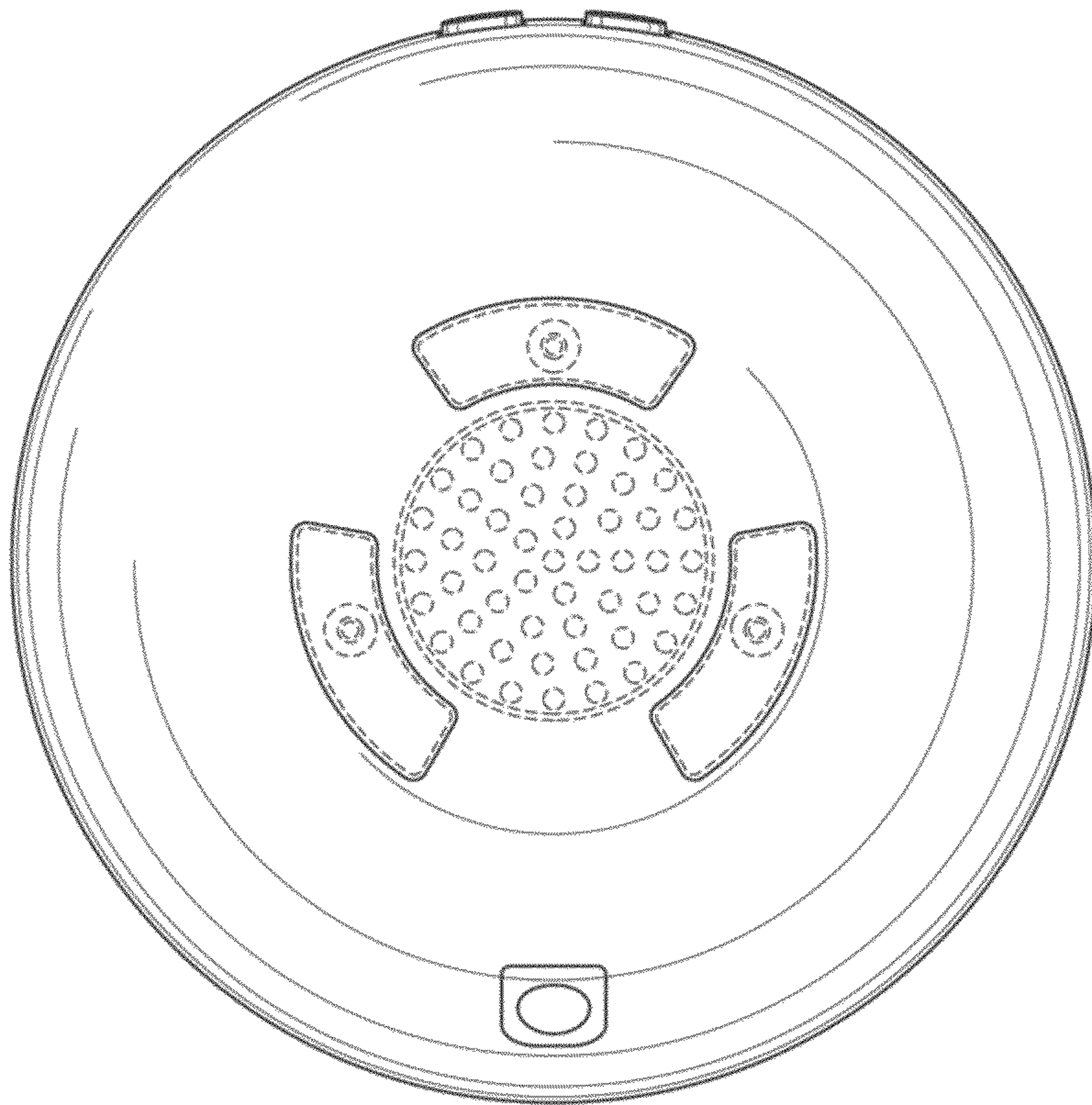


FIG. 7