



US00D720062S

(12) **United States Design Patent**  
**Guojie**

(10) **Patent No.:** **US D720,062 S**

(45) **Date of Patent:** **\*\* Dec. 23, 2014**

(54) **AIR CONDITIONER**

(71) Applicant: **Jin Guojie**, Shanghai (CN)

(72) Inventor: **Jin Guojie**, Shanghai (CN)

(73) Assignee: **Daikin Industries Ltd.**, Osaka-Shi,  
Osaka-Fu (JP)

(\*\*) Term: **14 Years**

(21) Appl. No.: **29/495,981**

(22) Filed: **Jul. 8, 2014**

(30) **Foreign Application Priority Data**

Jan. 29, 2014 (CN) ..... 2014 3 0024218

(51) **LOC (10) Cl.** ..... **23-04**

(52) **U.S. Cl.**  
USPC ..... **D23/351**

(58) **Field of Classification Search**  
USPC ..... D23/351-354, 385, 355, 357, 361;  
312/236; 62/259.1, 259.4, 262-263,  
62/304; 454/330-331, 349-350  
See application file for complete search history.

(56) **References Cited**

**U.S. PATENT DOCUMENTS**

D558,866 S \* 1/2008 Yamamoto ..... D23/351  
D579,095 S \* 10/2008 Nagahori et al. .... D23/351  
D605,267 S \* 12/2009 Nakamura et al. .... D23/351

D613,842 S \* 4/2010 Yamashita ..... D23/351  
D632,769 S \* 2/2011 Seki ..... D23/351  
D642,249 S \* 7/2011 Seki ..... D23/351  
D642,251 S \* 7/2011 Seki ..... D23/351  
D657,035 S \* 4/2012 Chouji ..... D23/351  
D681,180 S \* 4/2013 Chouji ..... D23/351  
D683,004 S \* 5/2013 Chouji ..... D23/351  
D689,179 S \* 9/2013 Nishiguchi ..... D23/351  
D700,690 S \* 3/2014 Chouji et al. .... D23/351  
D700,958 S \* 3/2014 Ikegaya ..... D23/351

\* cited by examiner

*Primary Examiner* — Brian N Vinson

(74) *Attorney, Agent, or Firm* — Manabu Kanesaka

(57) **CLAIM**

The ornamental design for an air conditioner, as shown and described.

**DESCRIPTION**

FIG. 1 is a perspective view of an air conditioner showing my new design;  
FIG. 2 is a front view thereof;  
FIG. 3 is a rear view thereof;  
FIG. 4 is a left side view thereof;  
FIG. 5 is a right side view thereof;  
FIG. 6 is a plan view thereof;  
FIG. 7 is a bottom view thereof; and,  
FIG. 8 is a cross-sectional view thereof along the line 8-8 in FIG. 2.

The broken lines depict portions of the air conditioner that form no part of claimed design.

**1 Claim, 7 Drawing Sheets**

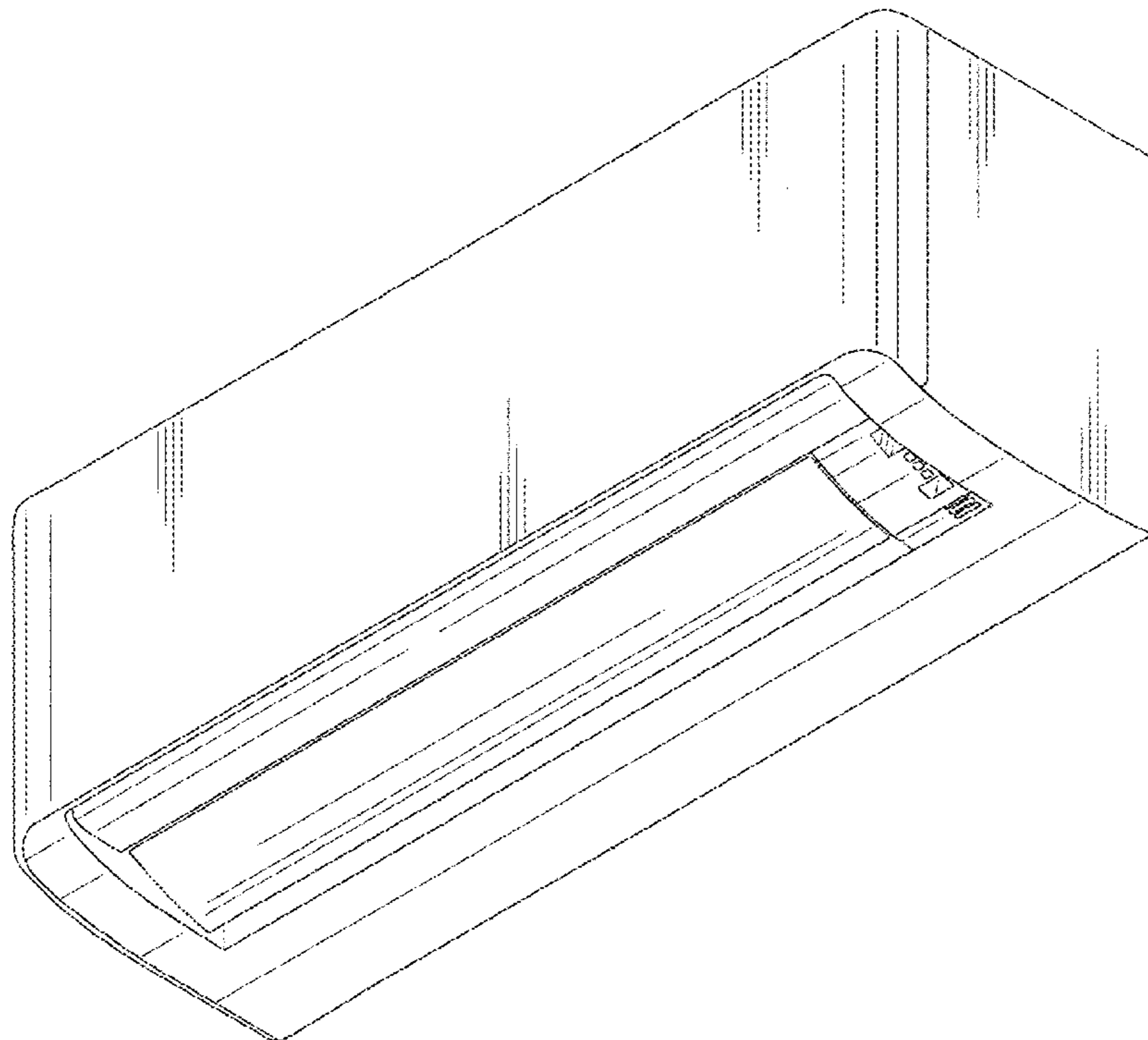


Fig. 1

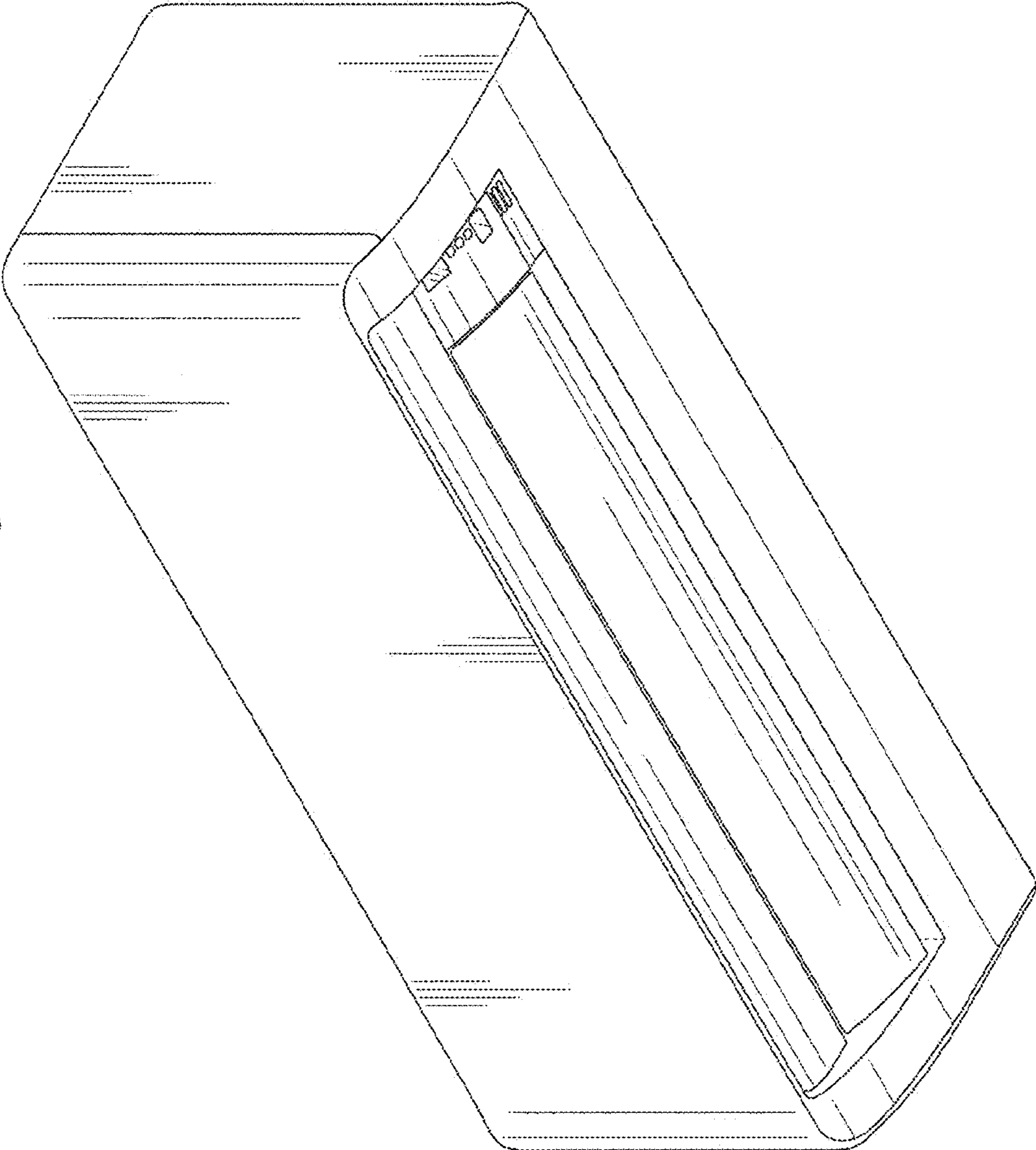


Fig. 2

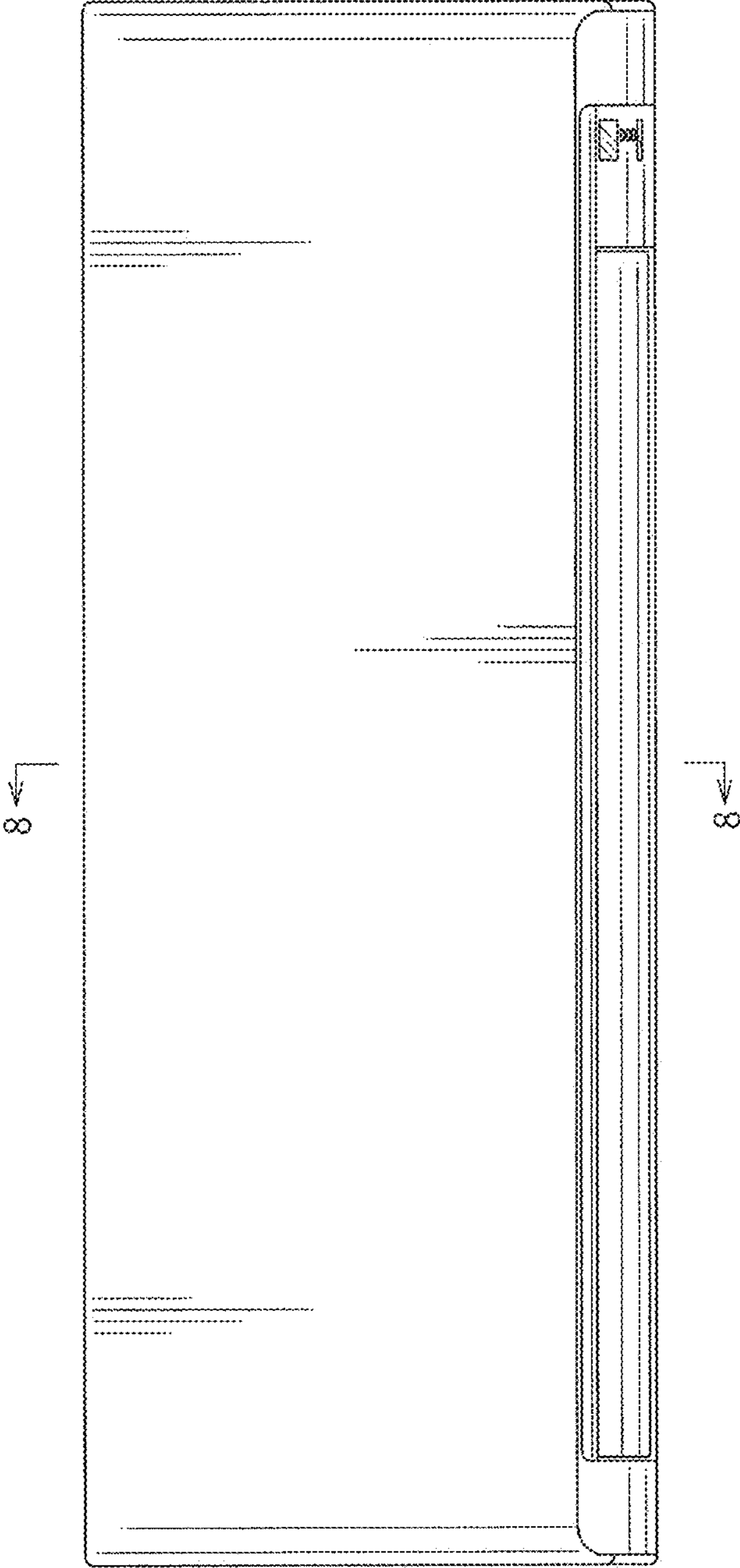


Fig. 3

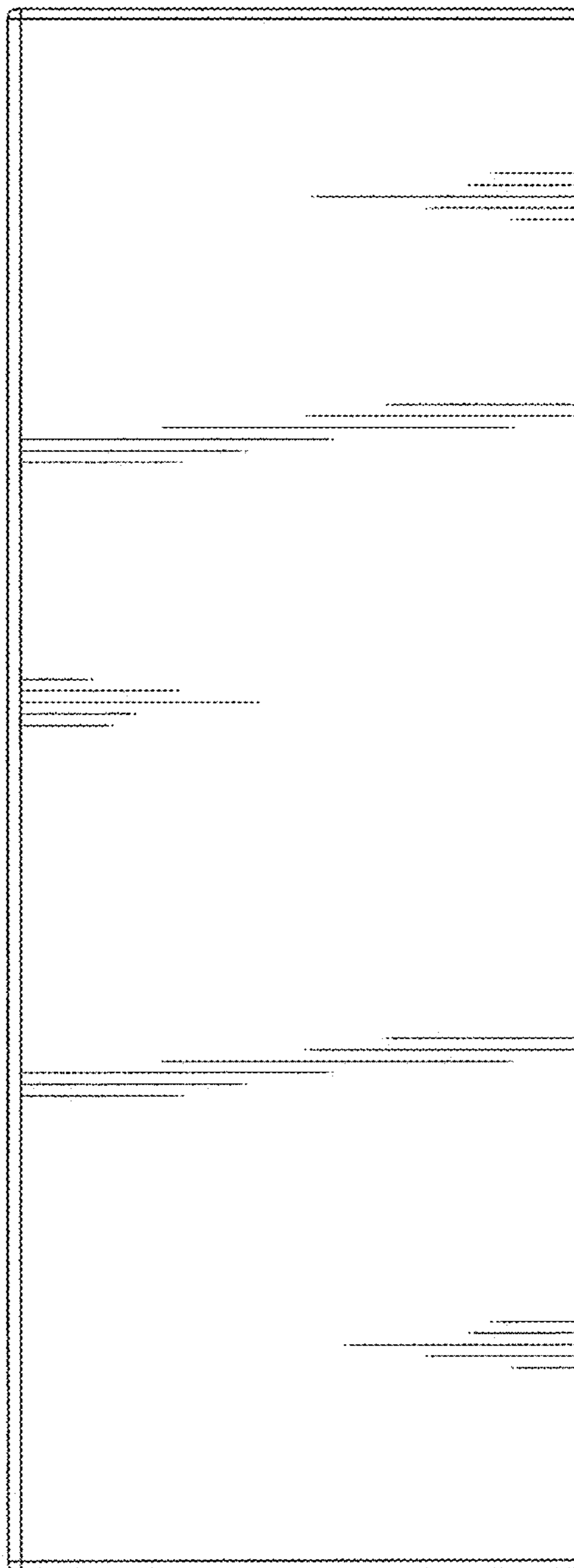


Fig. 5

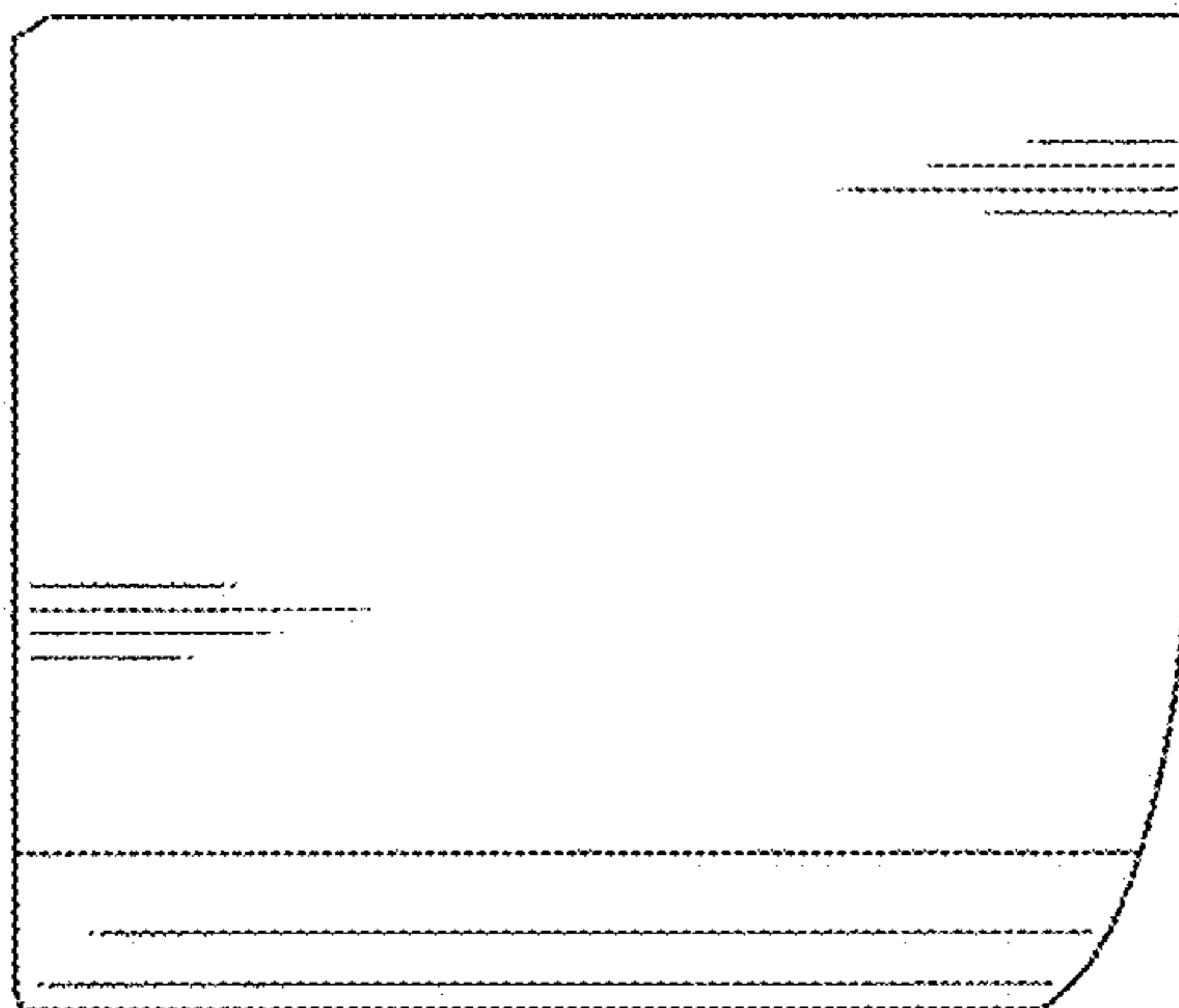


Fig. 4

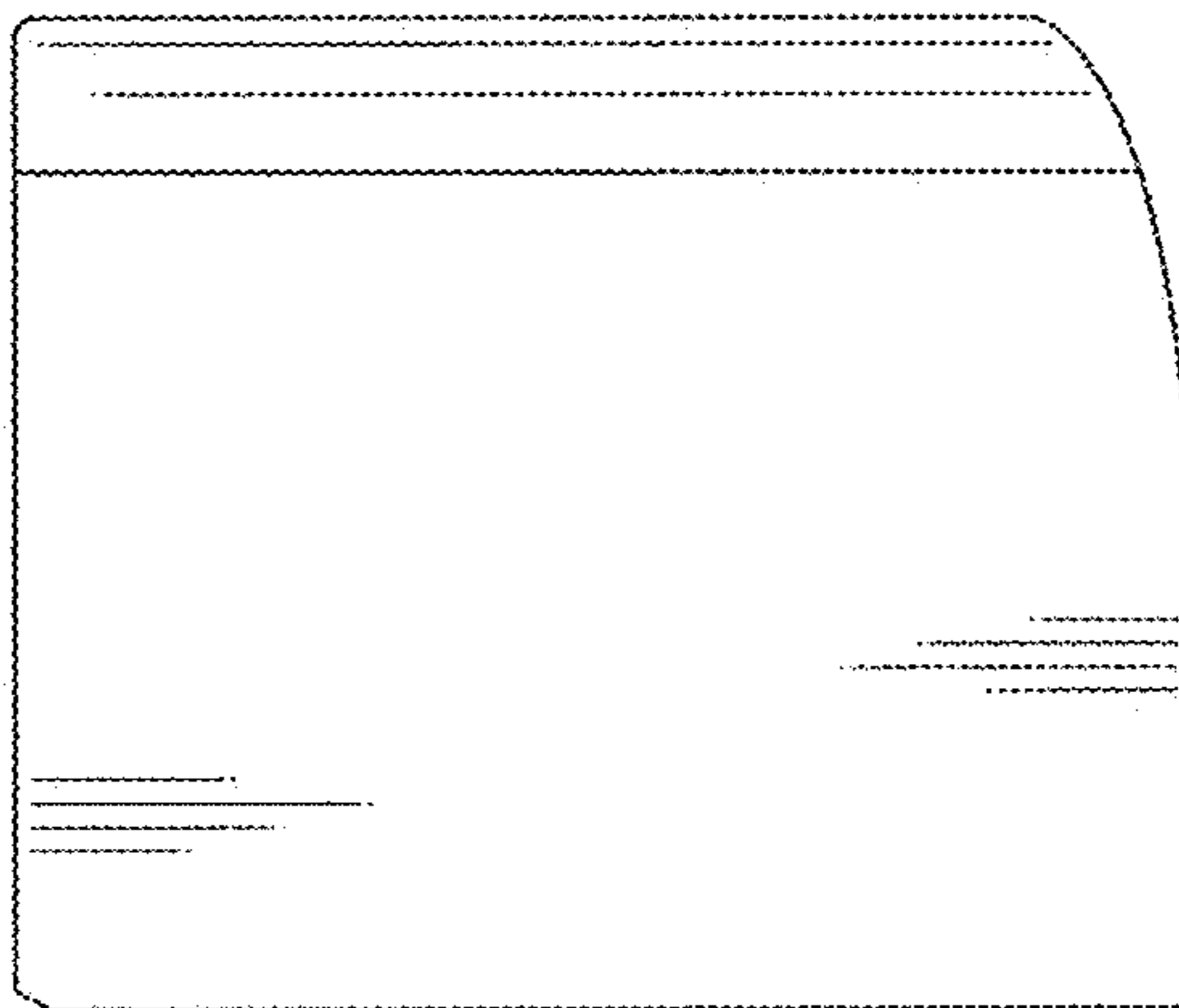


Fig. 6

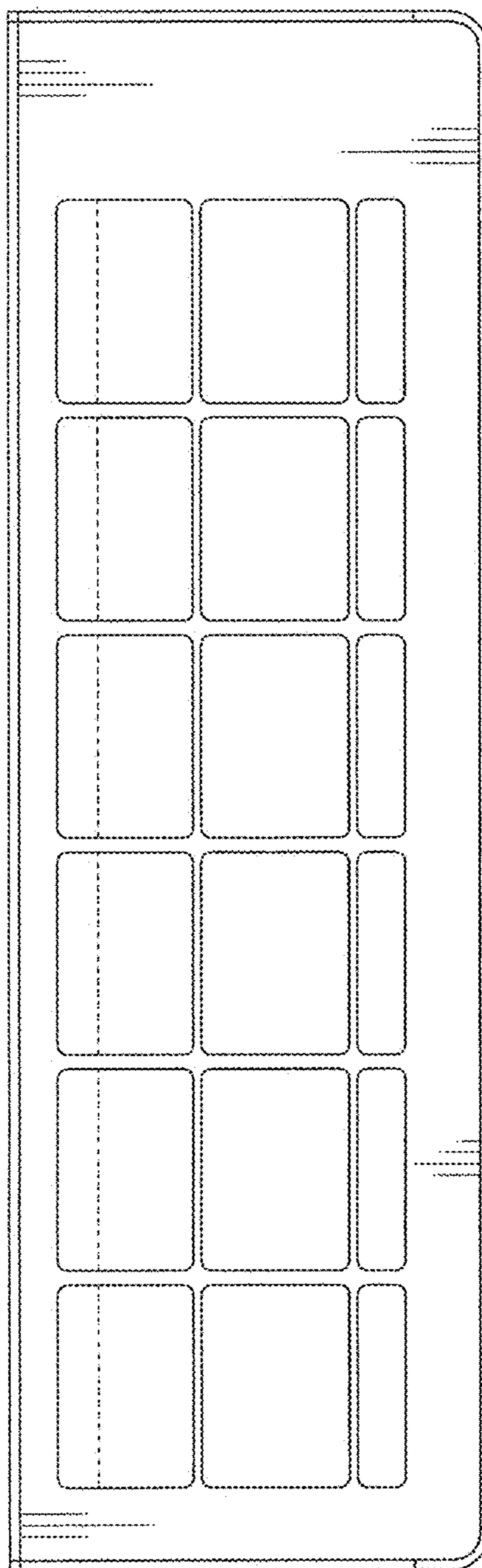


Fig. 7

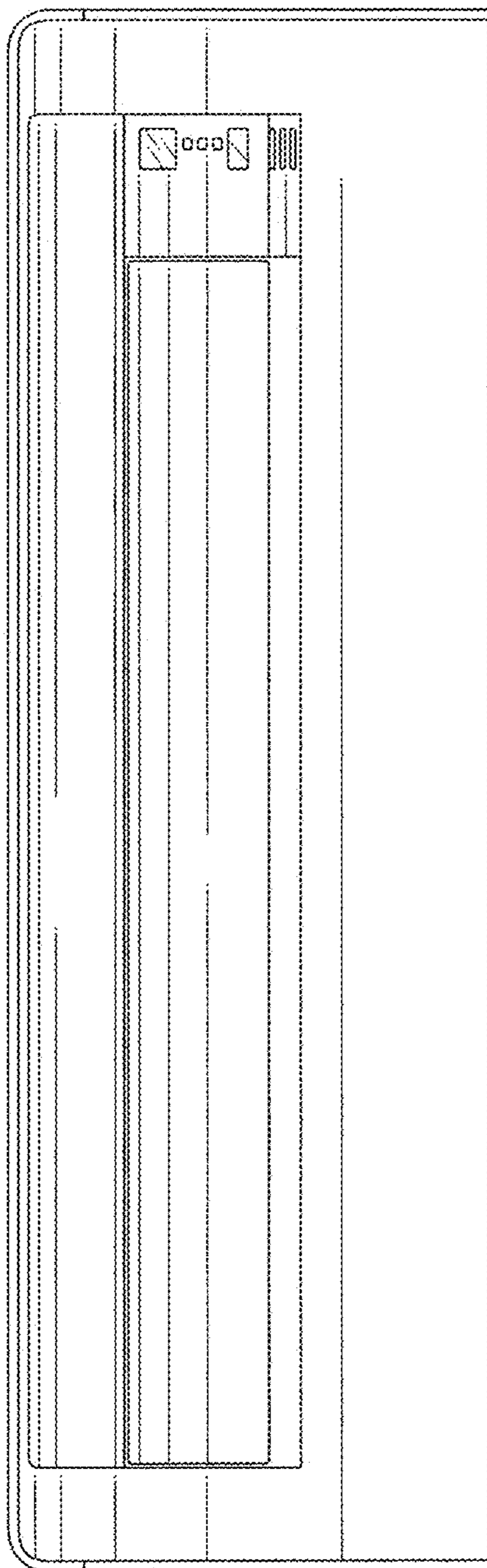


Fig. 8

