



US00D720056S

(12) **United States Design Patent**  
**Maki et al.**

(10) **Patent No.:** **US D720,056 S**

(45) **Date of Patent:** **\*\* Dec. 23, 2014**

(54) **EXHAUST PIPE COVER FOR WATER HEATER**

8,083,574 B2 \* 12/2011 Arnold et al. .... 454/4  
2013/0189915 A1 \* 7/2013 Hazard ..... 454/47  
2013/0225057 A1 \* 8/2013 Merritt ..... 454/5

(75) Inventors: **Norikazu Maki**, Saitama (JP);  
**Hirokazu Kawamura**, Hashima (JP)

\* cited by examiner

(73) Assignees: **Tosetz Co., Ltd.**, Tokyo (JP); **Mirai Industry Co., Ltd.**, Gifu-ken (JP)

*Primary Examiner* — T. Chase Nelson

*Assistant Examiner* — Ania Aman

(74) *Attorney, Agent, or Firm* — Sughrue Mion, PLLC

(\*\*) Term: **14 Years**

(57) **CLAIM**

The ornamental design for an exhaust pipe cover for water heater, as shown and described.

(21) Appl. No.: **29/420,479**

**DESCRIPTION**

(22) Filed: **May 9, 2012**

(51) **LOC (10) Cl.** ..... **23-03**

(52) **U.S. Cl.**  
USPC ..... **D23/322**

(58) **Field of Classification Search**  
USPC ..... D23/314, 322, 370, 371, 373, 375, 382,  
D23/381, 386, 393, 394, 395, 398, 399, 402,  
D23/319, 321, 318; 454/3, 4, 37, 38, 47  
See application file for complete search history.

FIG. 1 is a front, plan and left side perspective view of an exhaust pipe cover for a water heater showing my new design; FIG. 2 is another front, plan and left side perspective view thereof; FIG. 3 is a rear, bottom and right side perspective view thereof; FIG. 4 is another rear, bottom and right side perspective view thereof; FIG. 5 is an exploded perspective view thereof; FIG. 6 is a front view thereof, the rear view being the same; FIG. 7 is a top plan view thereof; FIG. 8 is a bottom plan view thereof; FIG. 9 is a right side view, the left side view being the same; FIG. 10 is a sectional view taken along cut line 10-10 of FIG. 6; FIG. 11 is a sectional view taken along cut line 11-11 of FIG. 6; and, FIG. 12 is a reference view showing an in-use state thereof. Throughout the drawings, the broken lines depict environmental structure that forms no part of the claimed design.

(56) **References Cited**

U.S. PATENT DOCUMENTS

1,476,613 A \* 12/1923 Hodel ..... 454/38  
3,795,271 A \* 3/1974 Adamic ..... 165/47  
4,142,679 A \* 3/1979 McKillop, Sr. .... 237/54  
6,143,341 A \* 11/2000 Sikes ..... 426/510  
7,798,891 B2 \* 9/2010 Stubbet et al. .... 454/44

**1 Claim, 12 Drawing Sheets**

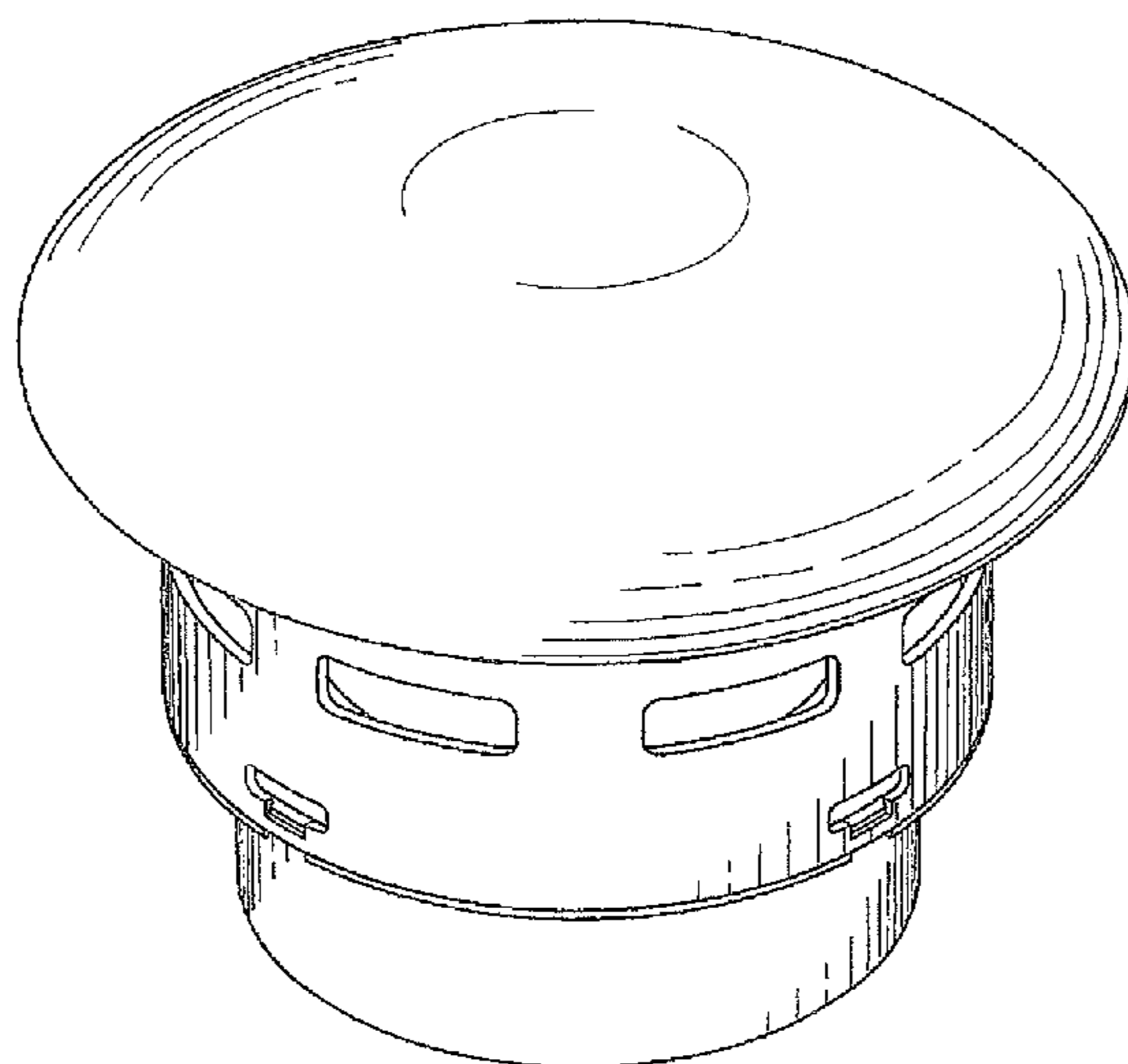


FIG. 1

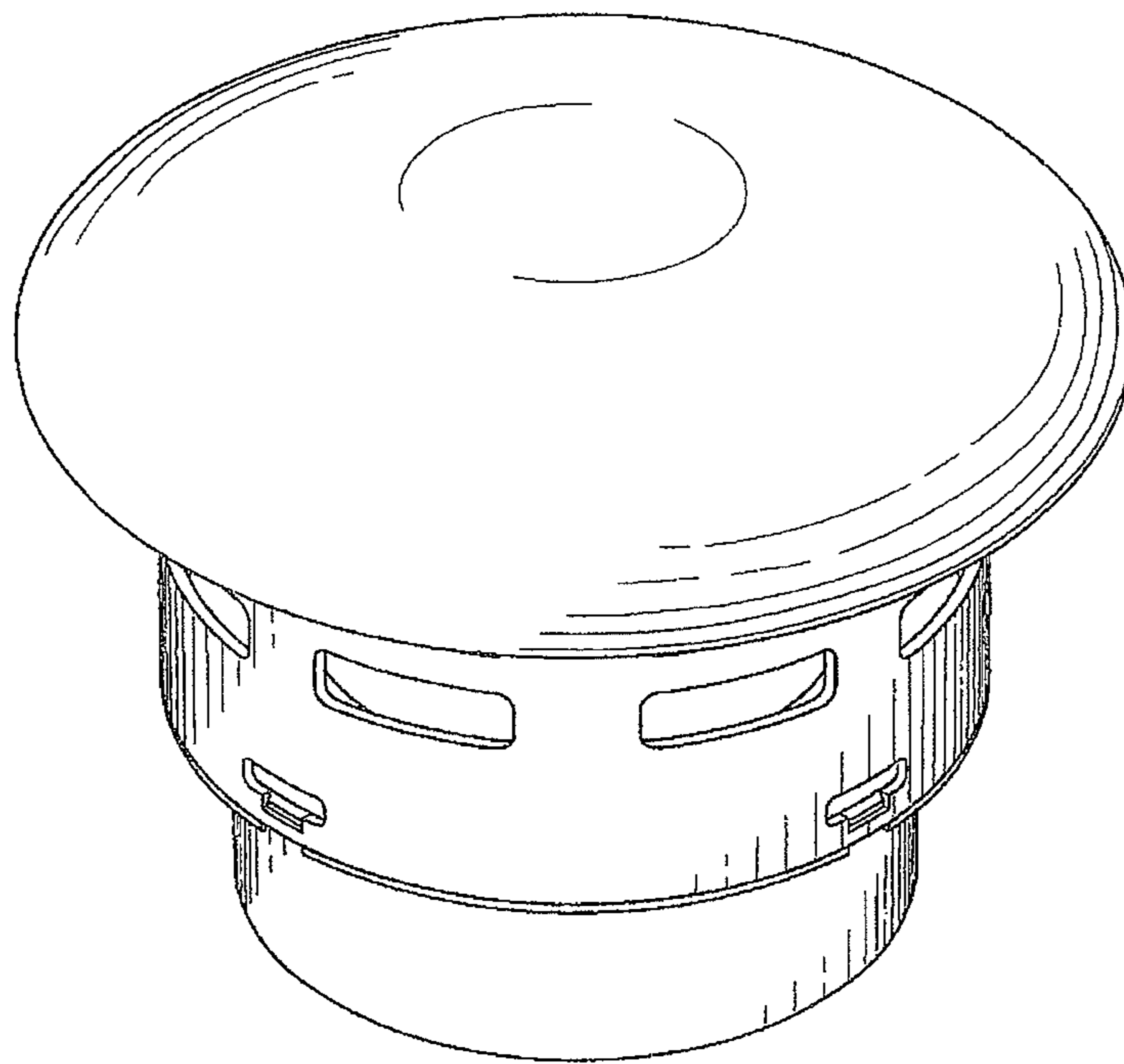


FIG. 2

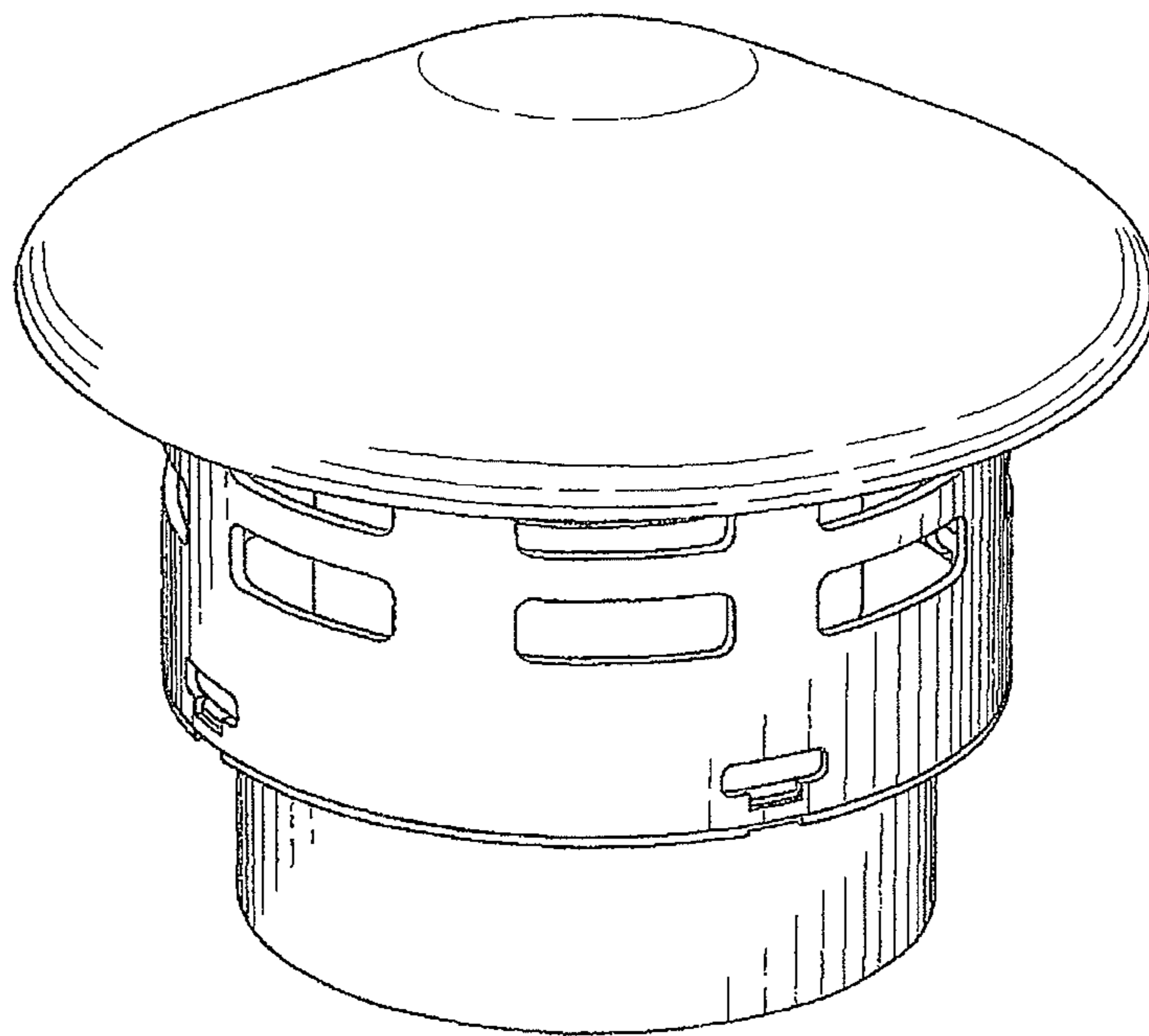


FIG. 3

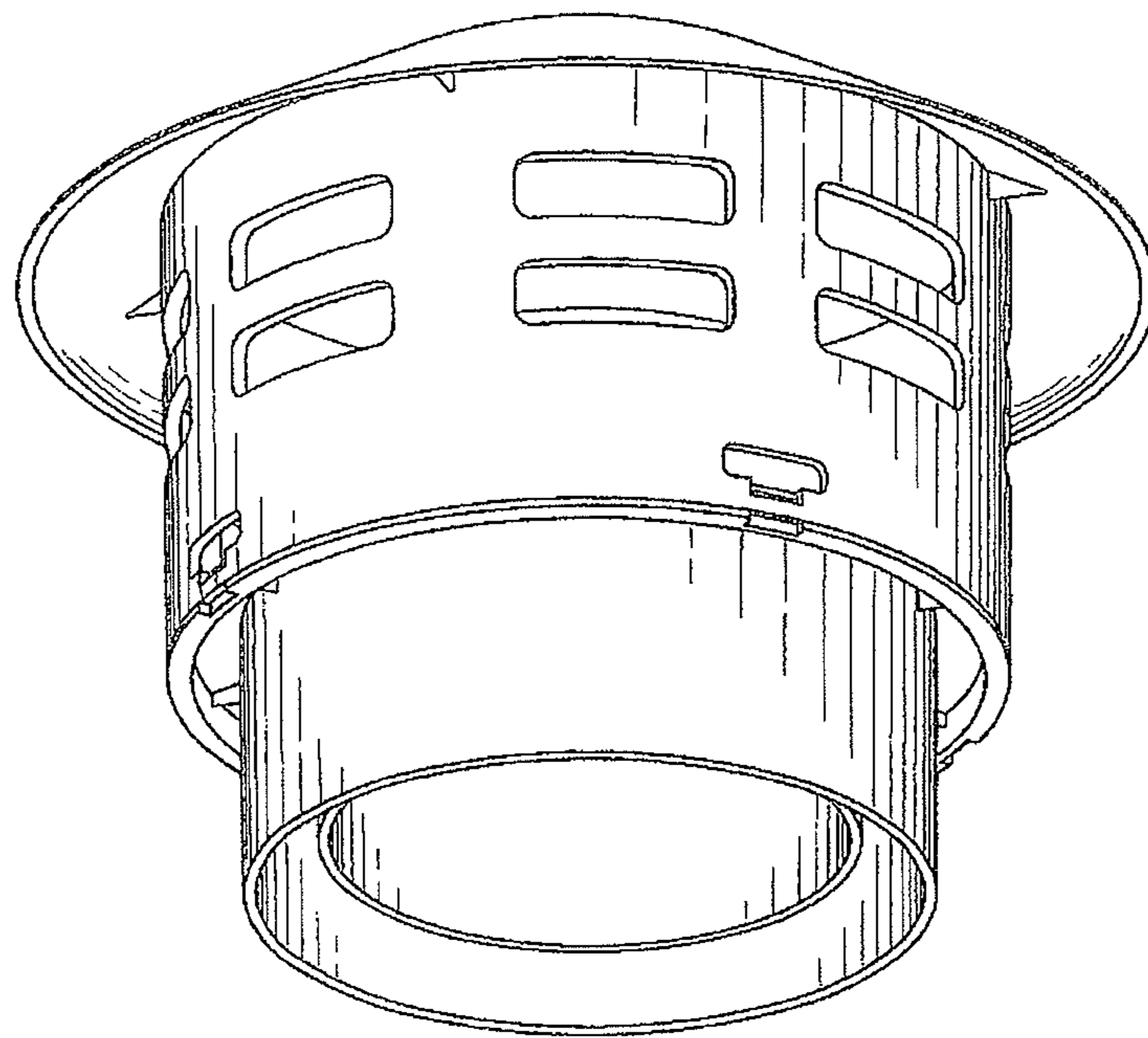


FIG. 4

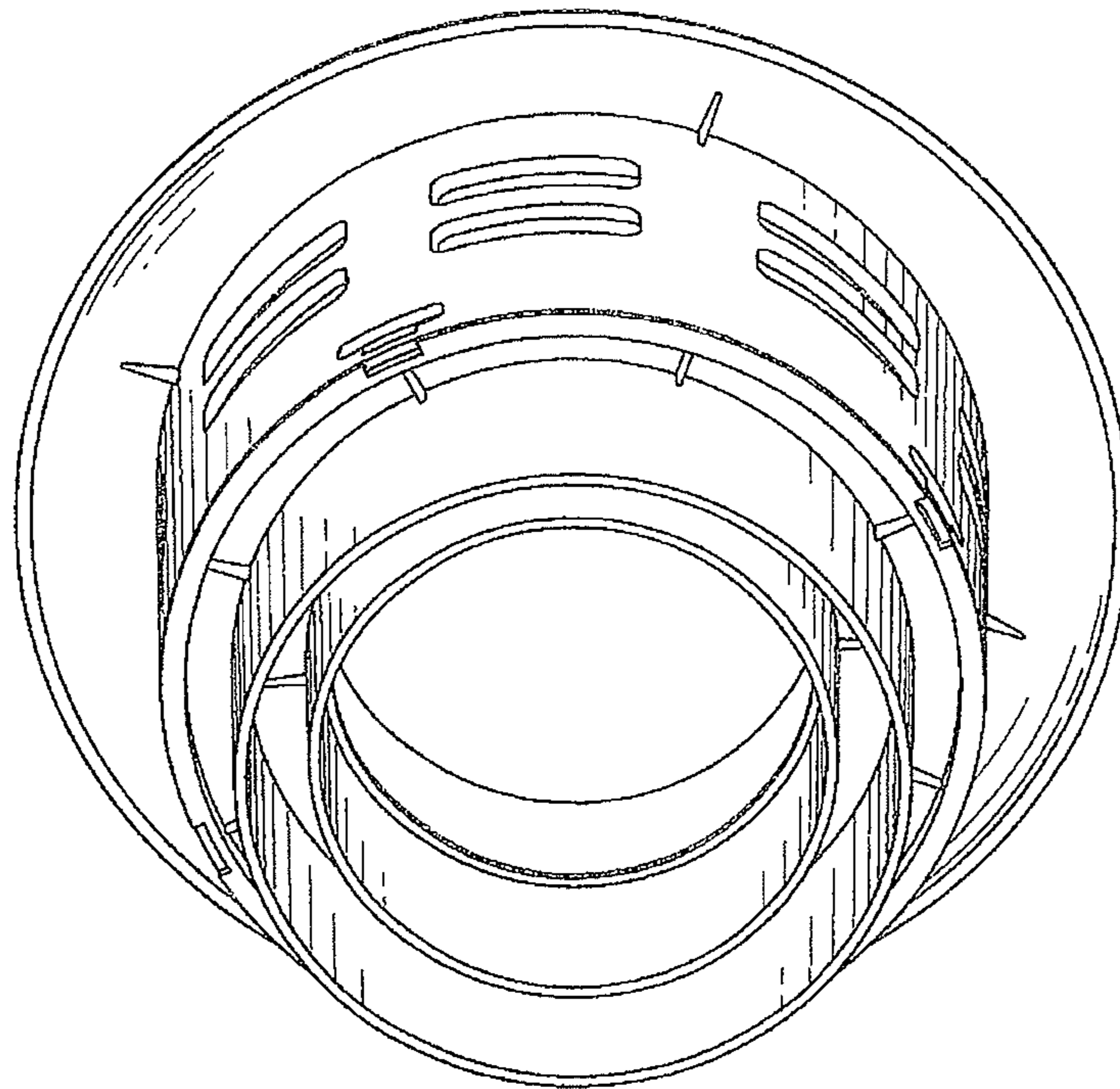


FIG. 5

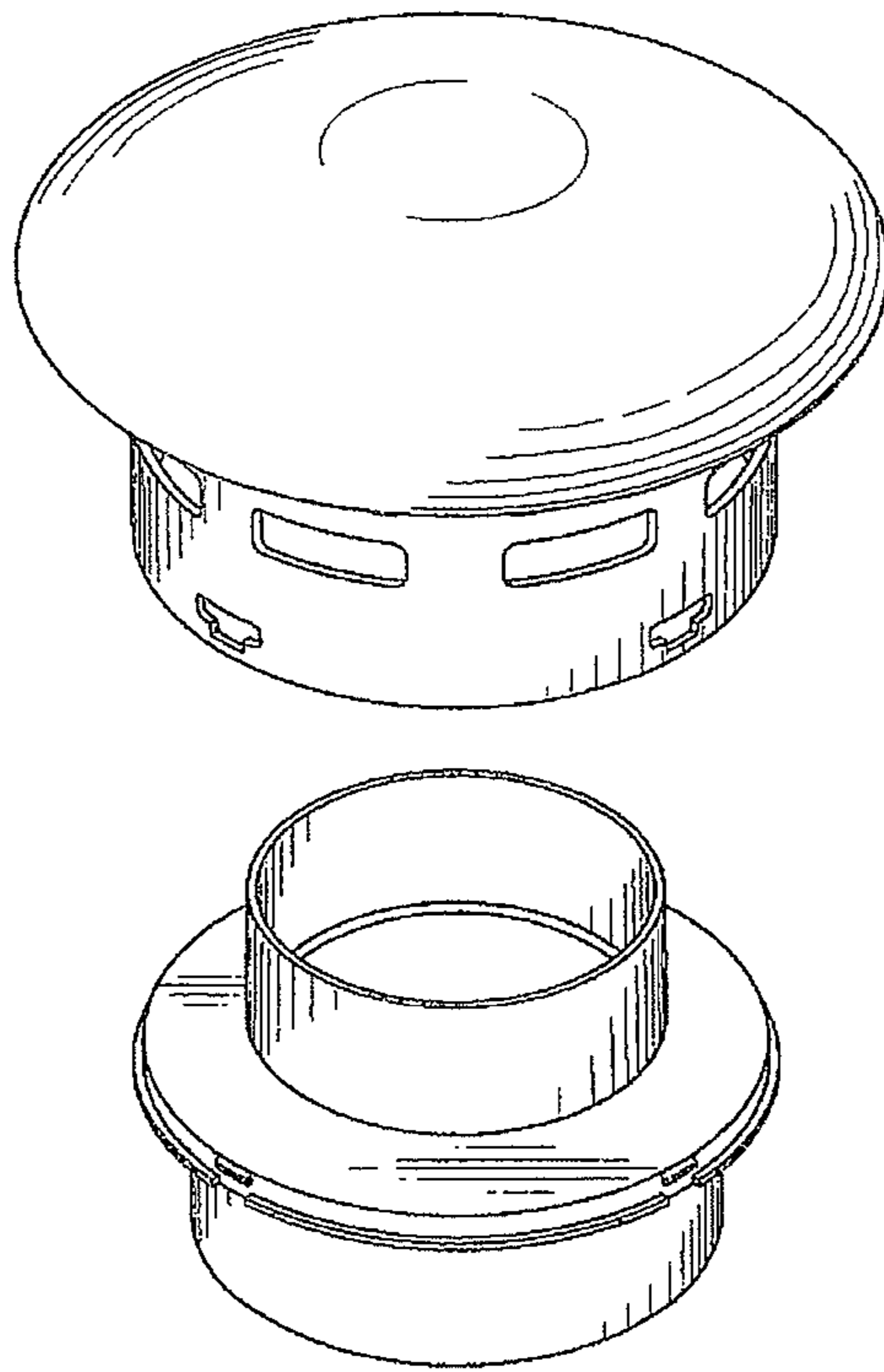


FIG. 6

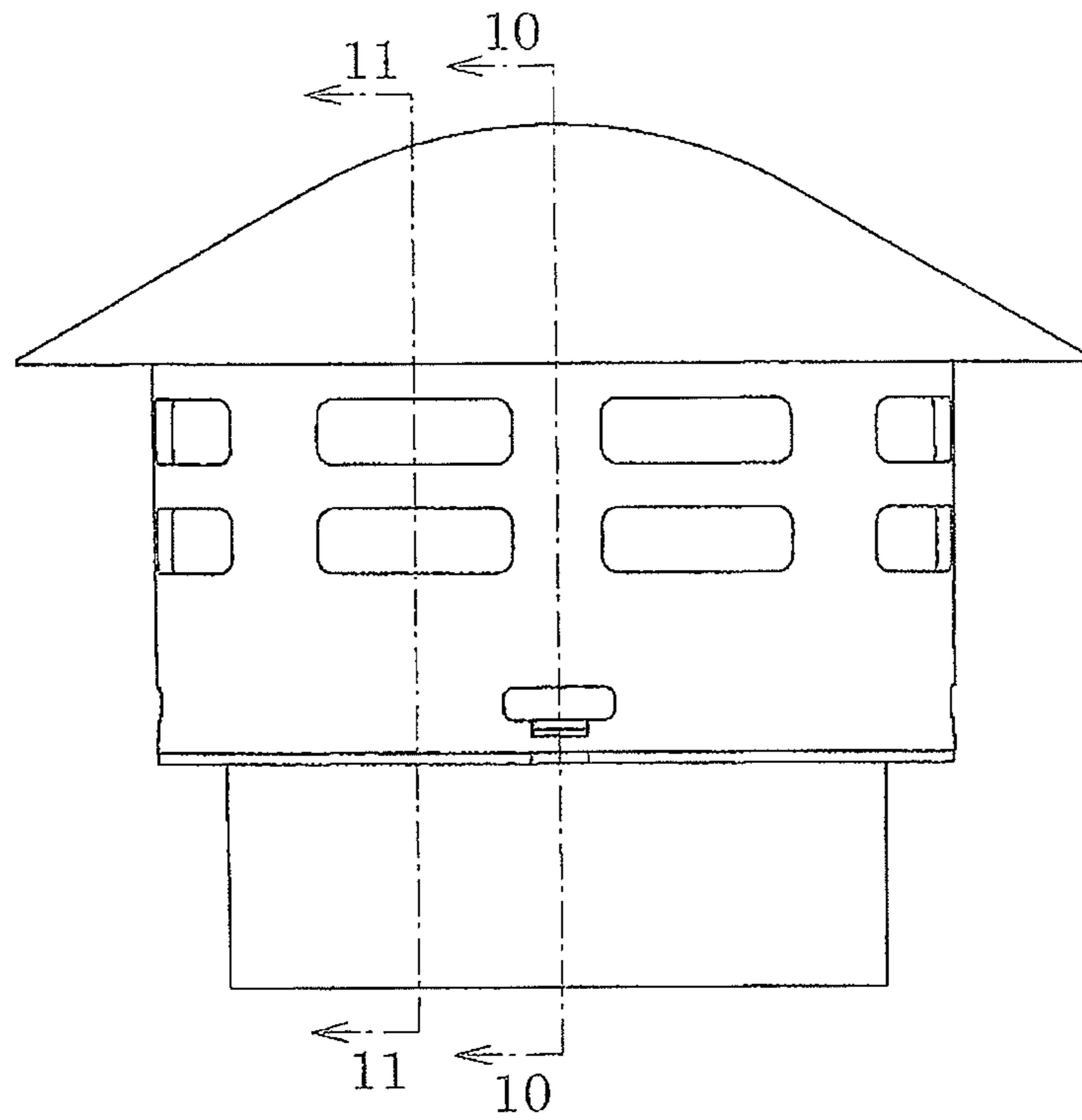


FIG. 7

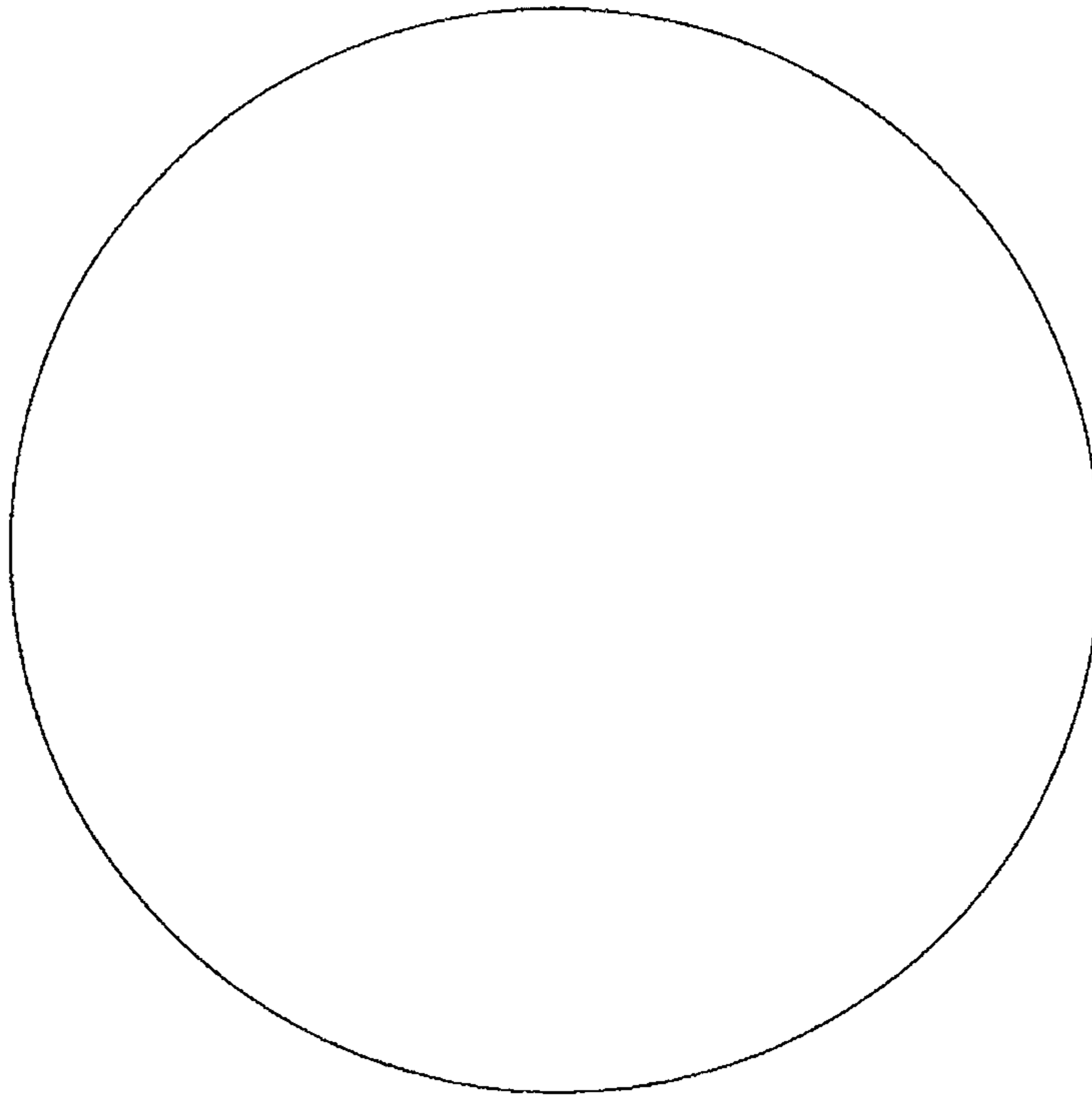




FIG. 8

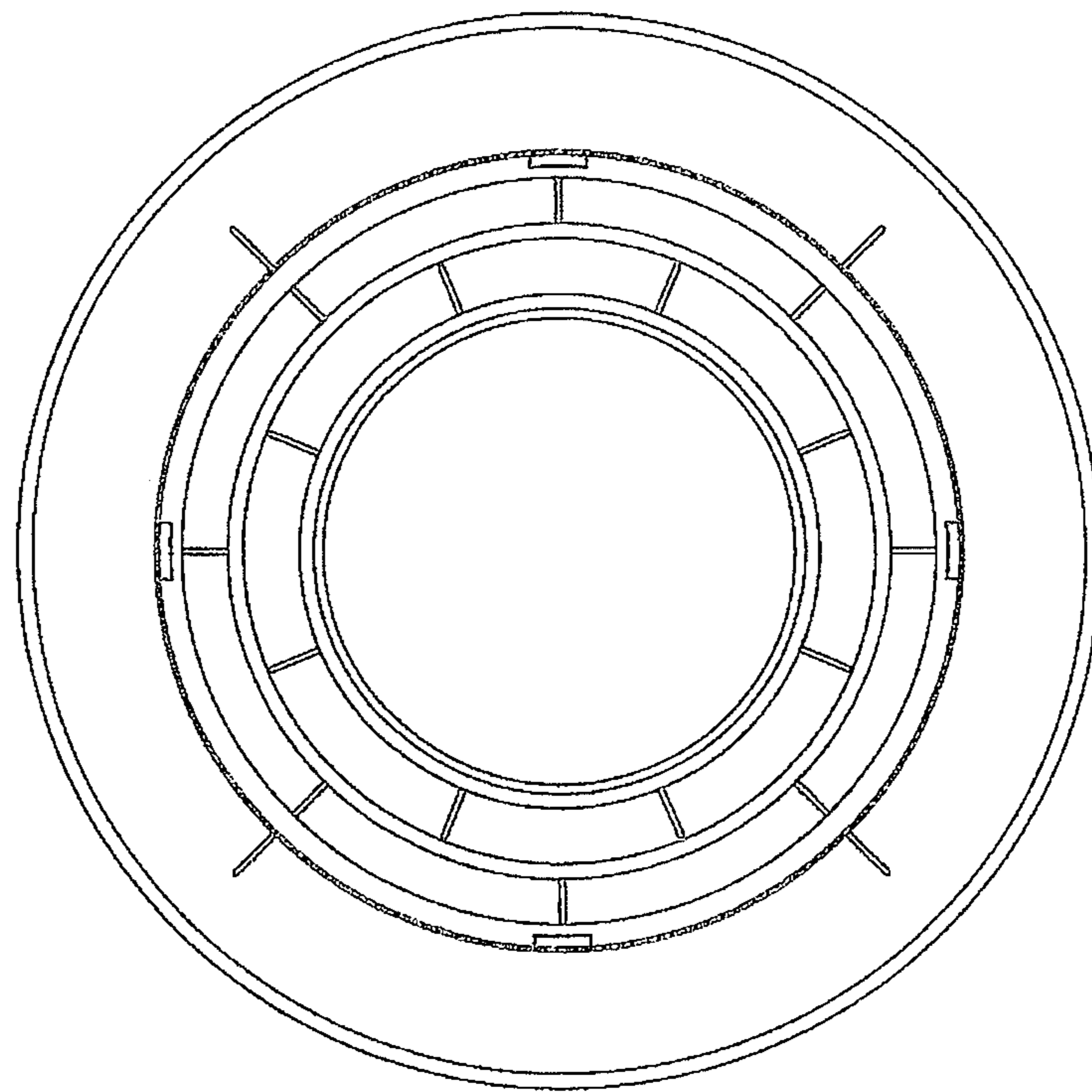


FIG. 9

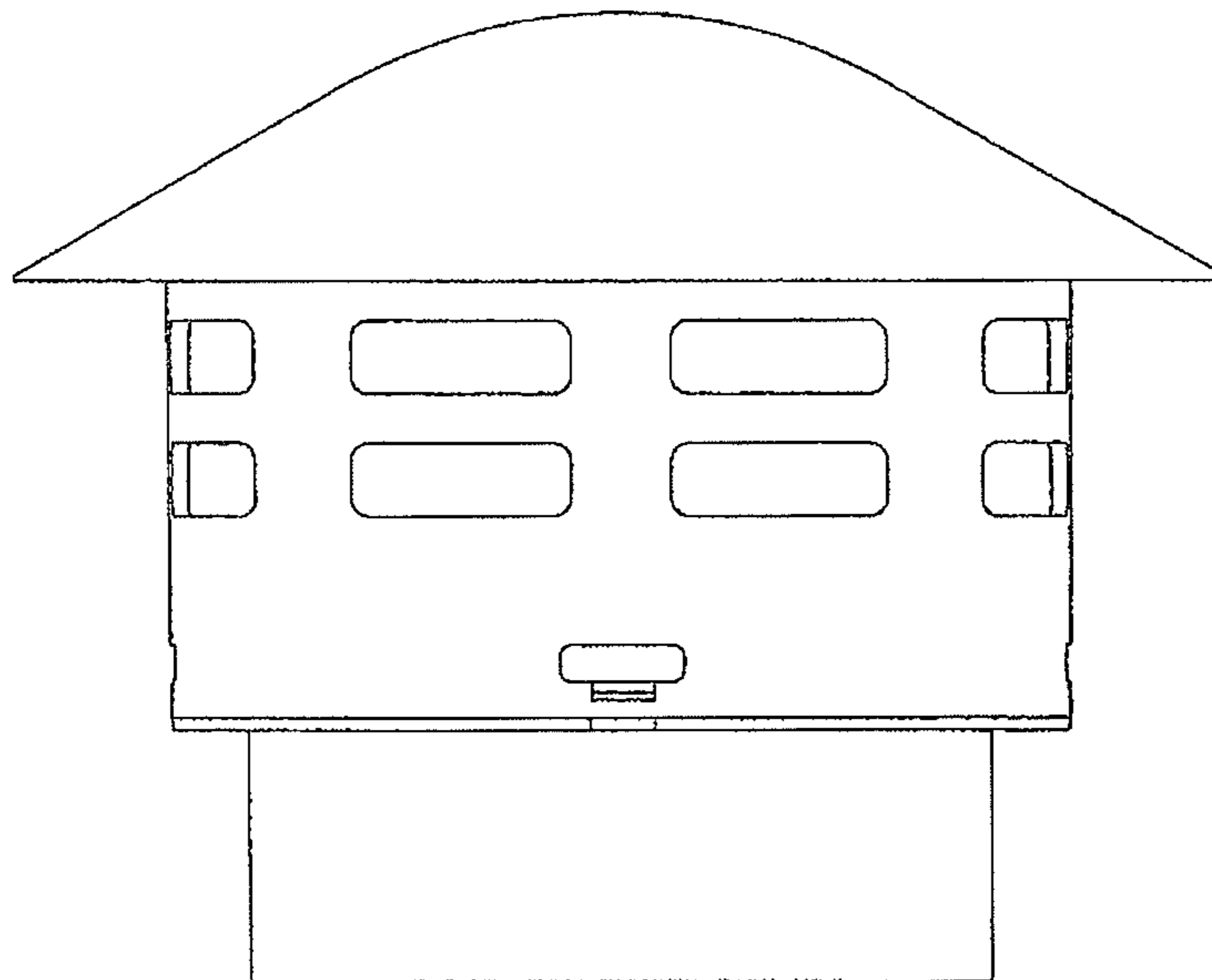


FIG. 10

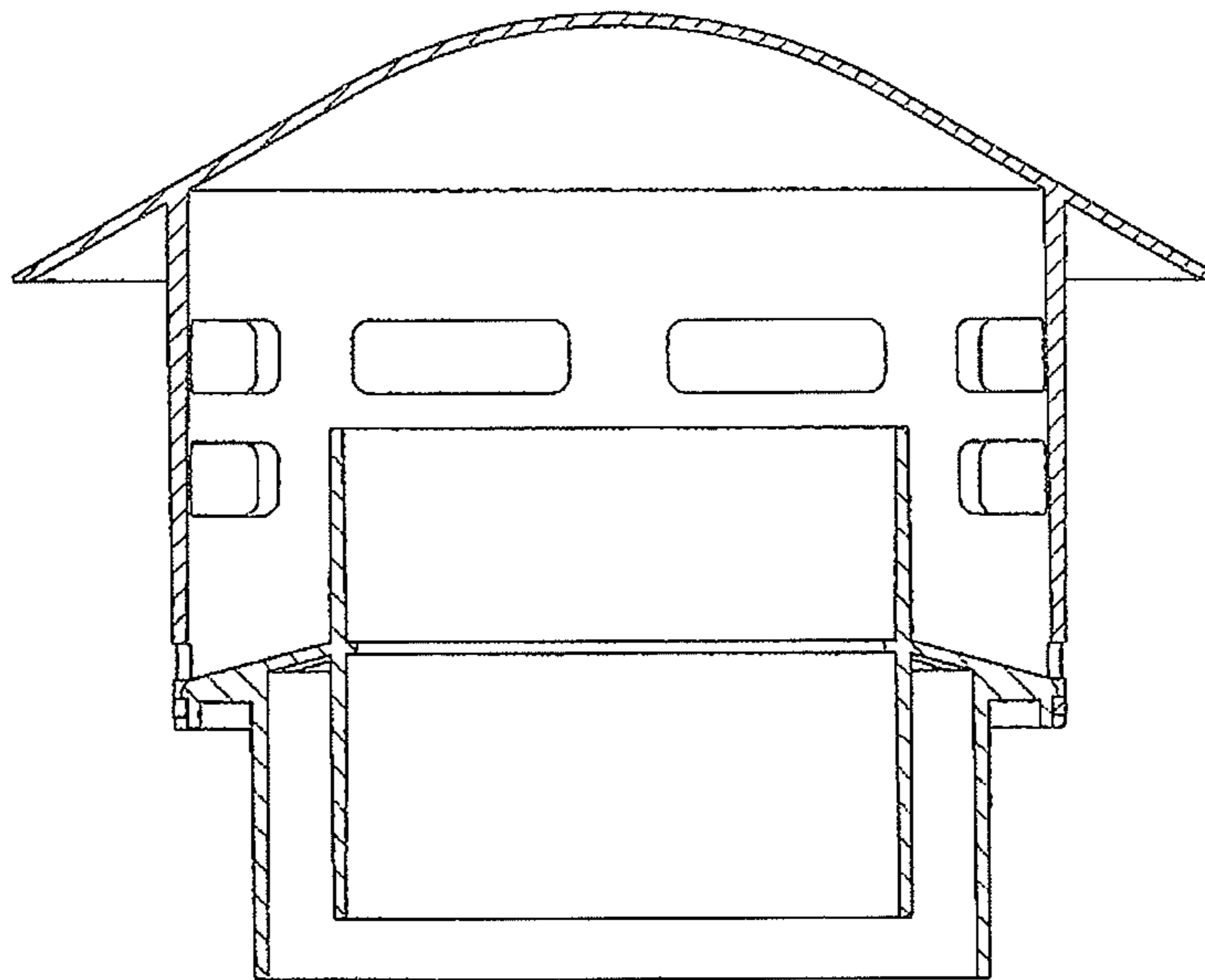


FIG. 11

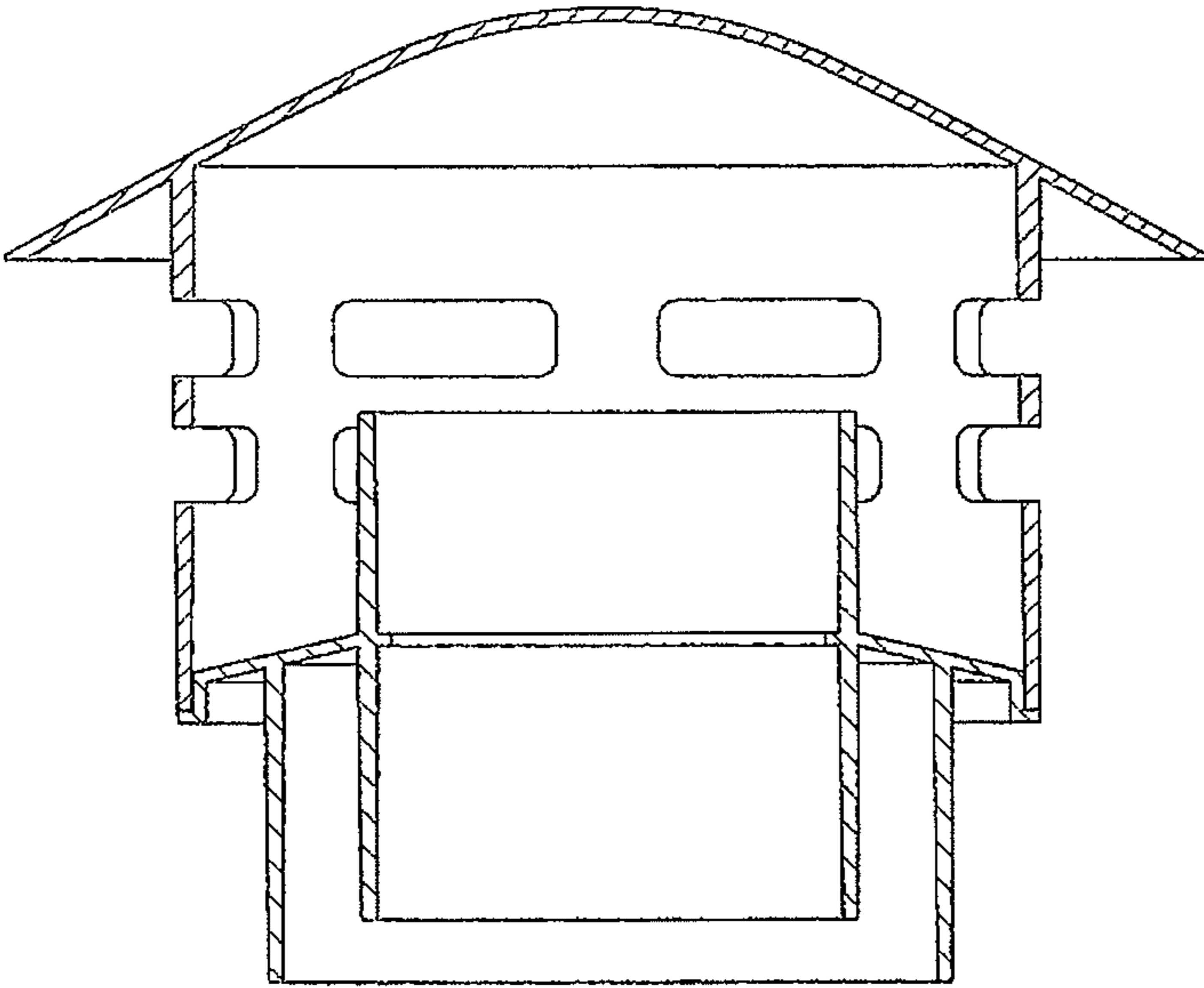


FIG 12

