



US00D720053S

(12) **United States Design Patent**
Roberts et al.

(10) **Patent No.:** **US D720,053 S**

(45) **Date of Patent:** **** Dec. 23, 2014**

(54) **REFRIGERANT DISTRIBUTOR**

(71) Applicant: **Parker-Hannifin Corporation**,
Cleveland, OH (US)

(72) Inventors: **Timothy J Roberts**, Eureka, MO (US);
Donald Staten, Chesterfield, MO (US);
Joseph Arens, St. Charles, MO (US)

(73) Assignee: **Parker-Hannifin Corporation**,
Cleveland, OH (US)

(**) Term: **14 Years**

(21) Appl. No.: **29/491,565**

(22) Filed: **May 22, 2014**

(51) **LOC (10) Cl.** **23-01**

(52) **U.S. Cl.**
USPC **D23/266**

(58) **Field of Classification Search**
USPC D15/1-6; 285/305, 319, 125.1, 131.1,
285/124.1, 124.5, 321, 93; D23/259, 262,
D23/213, 214, 266, 233
See application file for complete search history.

(56) **References Cited**

U.S. PATENT DOCUMENTS

| | | | | | |
|-----------|------|---------|-----------------|-------|-----------|
| 2,082,403 | A * | 6/1937 | Larkin | | 138/37 |
| 2,803,116 | A | 8/1957 | Tilney | | |
| 4,284,243 | A * | 8/1981 | Shaner | | 239/469 |
| 4,319,772 | A * | 3/1982 | Weirich et al. | | 285/26 |
| D353,443 | S * | 12/1994 | Lopez | | D23/259 |
| 7,174,726 | B2 * | 2/2007 | Grau et al. | | 62/115 |
| D643,932 | S * | 8/2011 | Vogtner et al. | | D24/201 |
| 8,210,574 | B2 | 7/2012 | Shimaoka et al. | | |
| 8,500,171 | B2 * | 8/2013 | Tadlock et al. | | 285/125.1 |

| | | | | | |
|--------------|------|---------|-----------------|-------|-----------|
| 2007/0266730 | A1 | 11/2007 | Son et al. | | |
| 2009/0000286 | A1 * | 1/2009 | Aoki et al. | | 60/323 |
| 2010/0170584 | A1 * | 7/2010 | Chung et al. | | 137/561 A |
| 2010/0293980 | A1 * | 11/2010 | Shimaoka et al. | | 62/259.1 |
| 2012/0210744 | A1 | 8/2012 | Nelson | | |

OTHER PUBLICATIONS

“Refrigerant Distributors”, BHM Corporation, [retrieved online May 12, 2014], <<http://www.bhmcorp.co.in/refrigerant-distributors.html>>.

“Liquid Distributor Type RD”, Danfoss, copyright 2013.

“Venturi-Flo Low Pressure Drop Distributors”, KeepFlo, Control Devices, LLC., at least as early as May 12, 2014.

“Brass Refrigerant Distributors”, Spinco Metal Products, Inc., [retrieved online May 12, 2014], <<http://spincometal.com/products/refrigerant-distributors/>>.

* cited by examiner

Primary Examiner — T. Chase Nelson

Assistant Examiner — Ania Aman

(74) *Attorney, Agent, or Firm* — Renner, Otto, Boisselle & Sklar, LLP

(57) **CLAIM**

The ornamental design for a refrigerant distributor, as shown and described.

DESCRIPTION

FIG. 1 is a perspective view of a refrigerant distributor showing our new design.

FIG. 2 is another perspective view thereof.

FIG. 3 is a front view thereof.

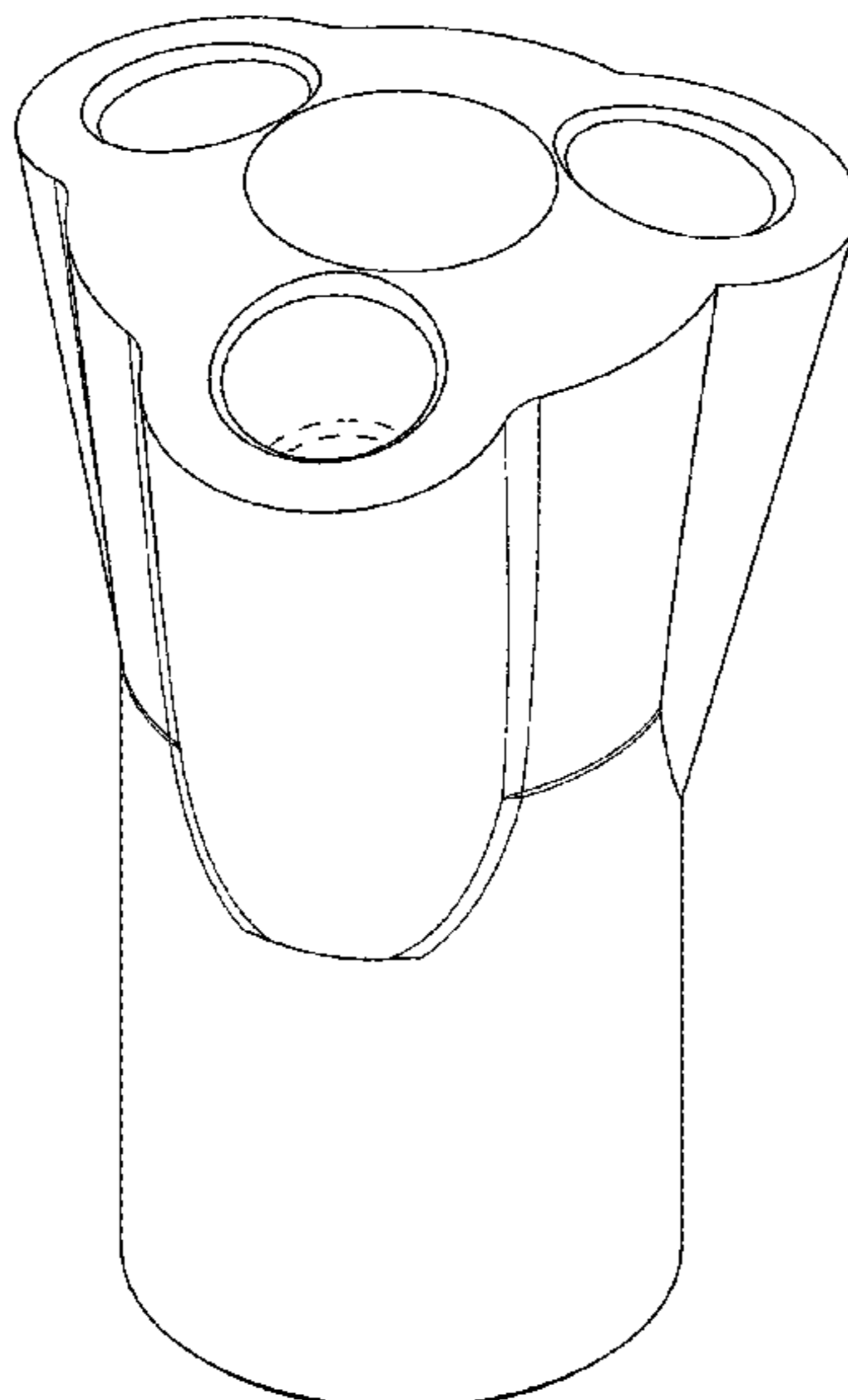
FIG. 4 is a rear view thereof.

FIG. 5 is a top view thereof; and,

FIG. 6 is a left side view thereof.

The broken lines shown herein are for illustrative purposes only and form no part of the claimed design.

1 Claim, 5 Drawing Sheets



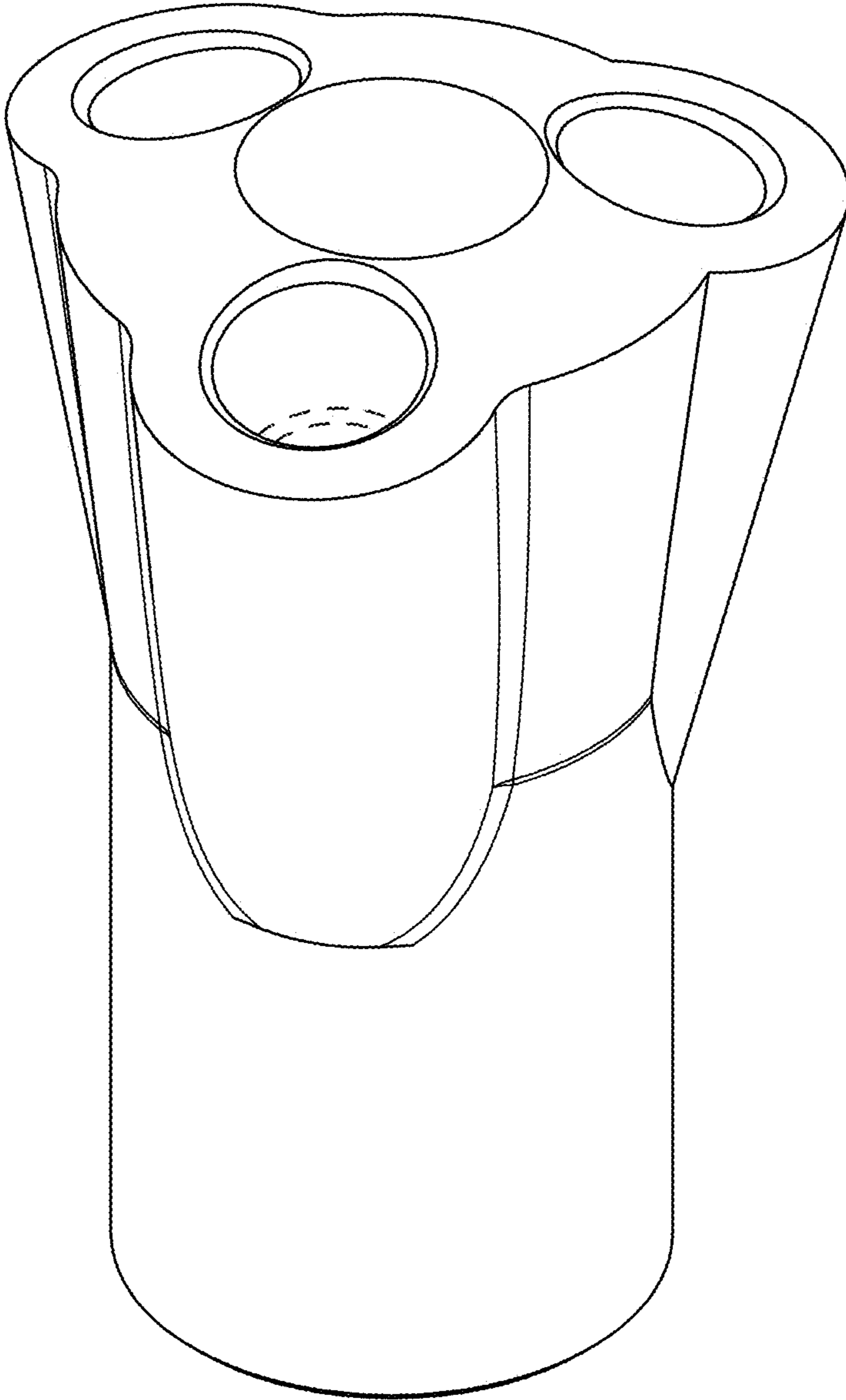


FIG. 1

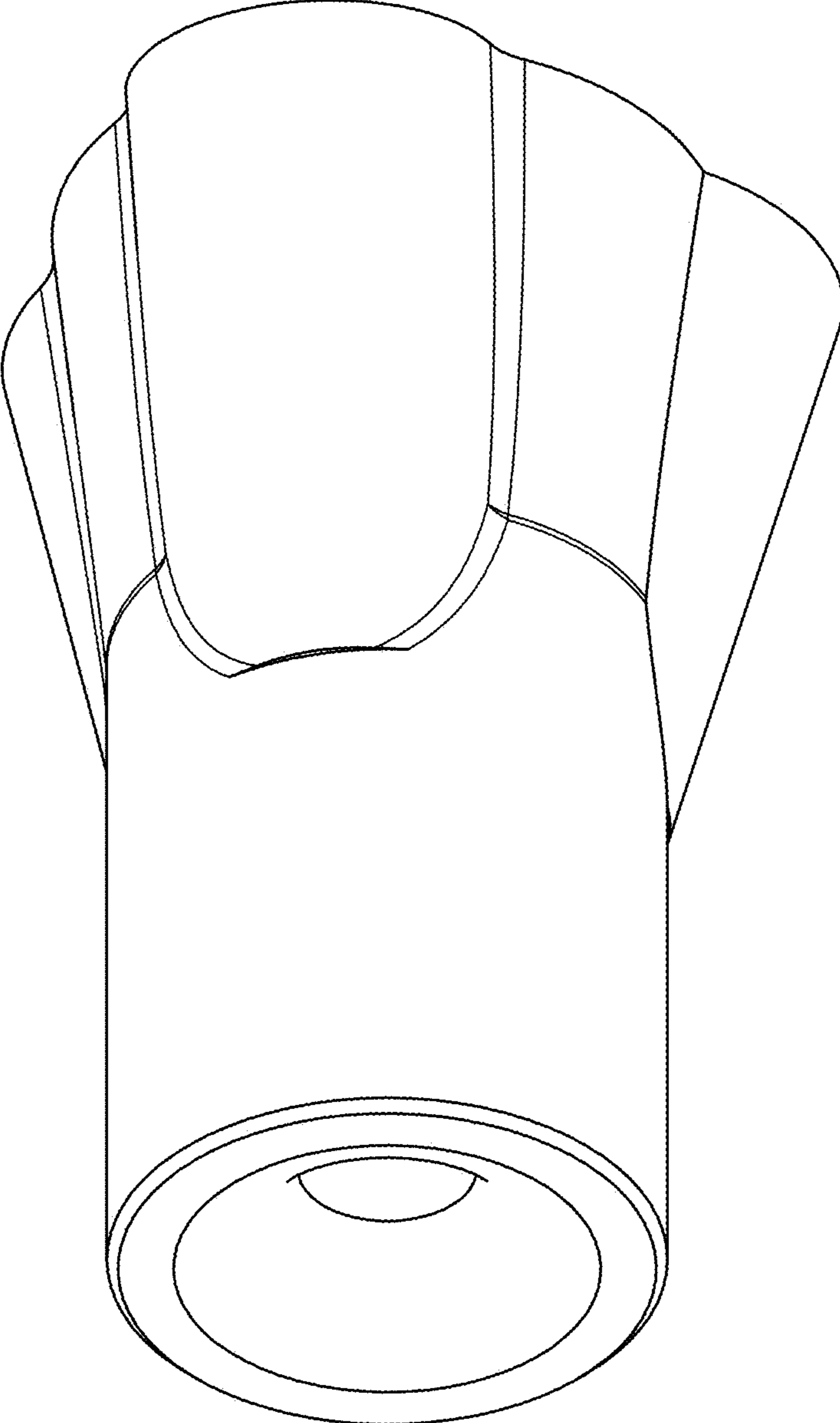


FIG. 2

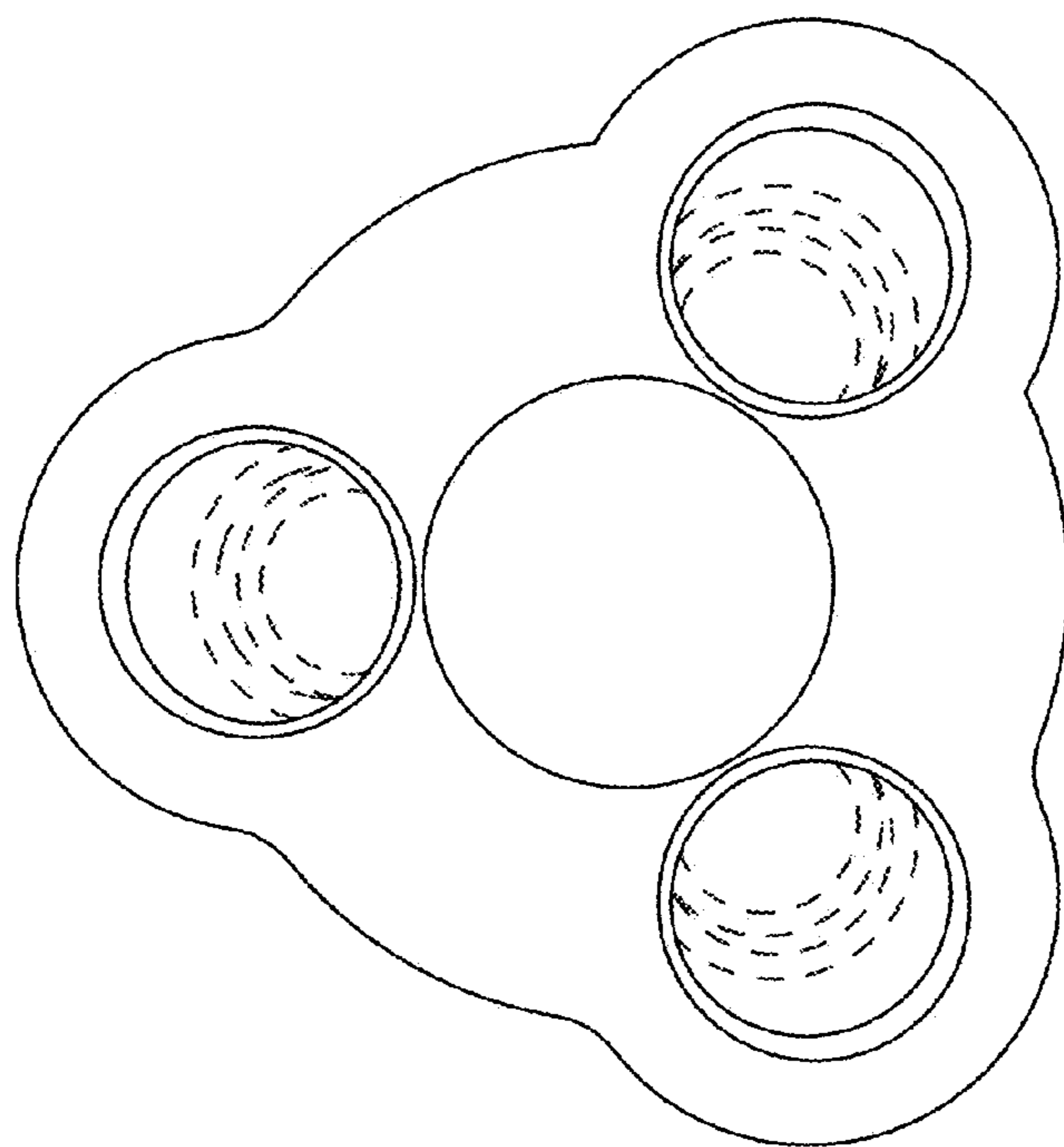


FIG. 3

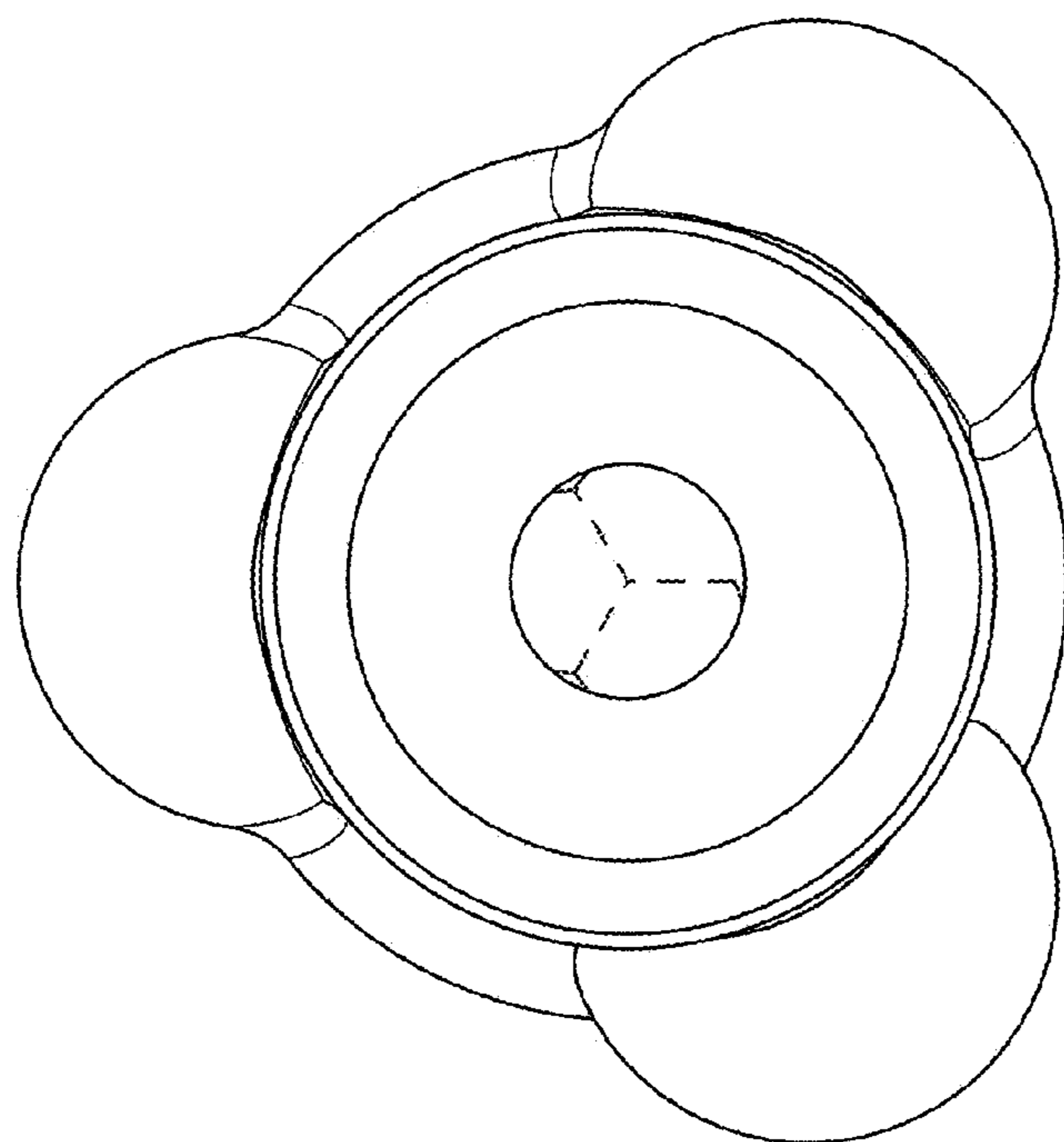


FIG. 4

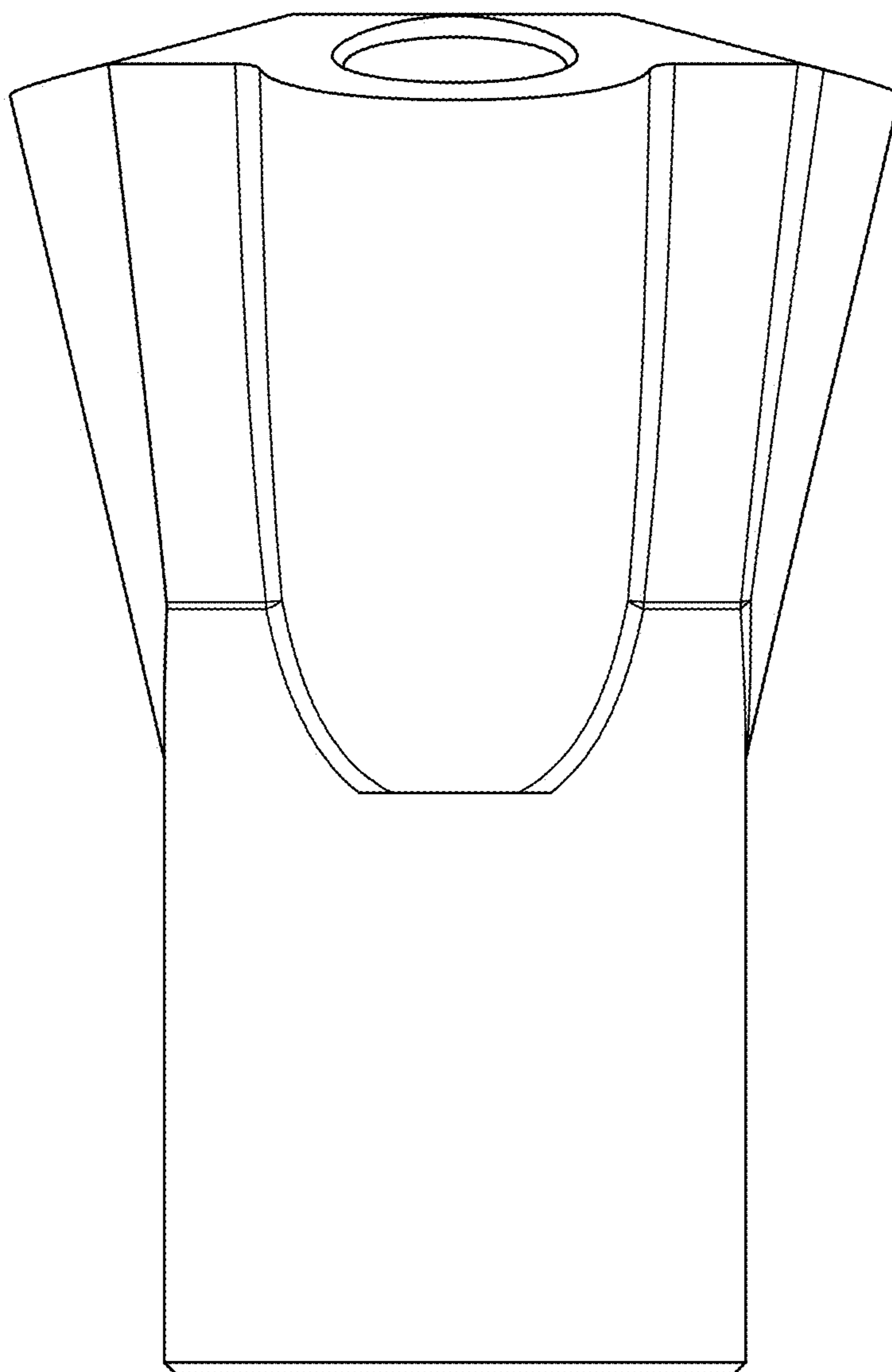


FIG. 5

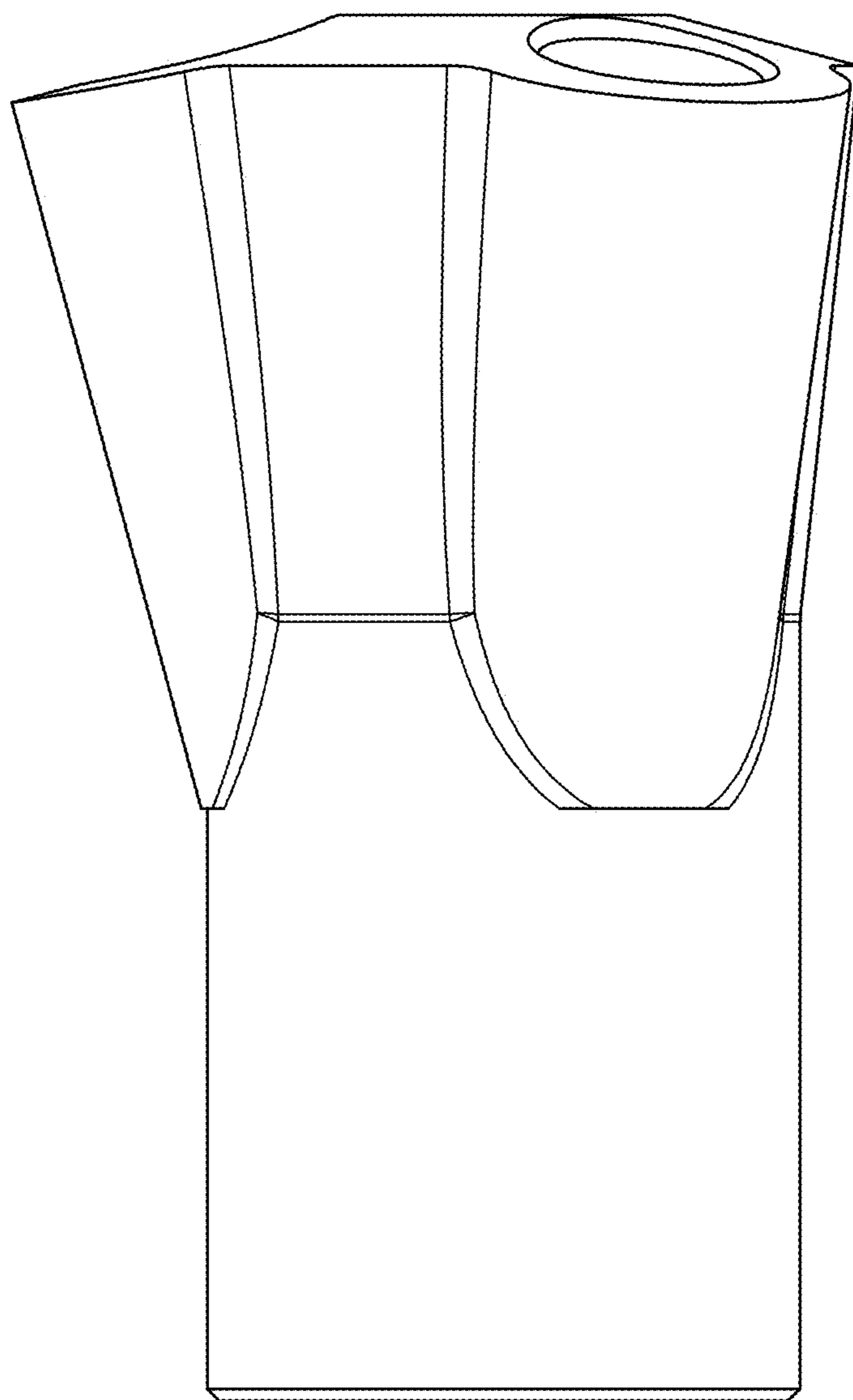


FIG. 6