



US00D720051S

(12) **United States Design Patent**
Dole et al.

(10) **Patent No.:** **US D720,051 S**
(45) **Date of Patent:** **** Dec. 23, 2014**

(54) **PIPE ELEMENT**

- (71) Applicant: **Victaulic Company**, Easton, PA (US)
- (72) Inventors: **Douglas R Dole**, Whitehouse Station, NJ (US); **Scott D. Madara**, Nazareth, PA (US); **Charles E Wilk, Jr.**, Slatington, PA (US); **Anthony J Cuvo**, Coopersburg, PA (US)
- (73) Assignee: **Victaulic Company**, Easton, PA (US)
- (**) Term: **14 Years**
- (21) Appl. No.: **29/480,895**
- (22) Filed: **Jan. 30, 2014**

Related U.S. Application Data

- (62) Division of application No. 29/383,624, filed on Jan. 20, 2011.
- (51) **LOC (10) Cl.** **23-01**
- (52) **U.S. Cl.**
USPC **D23/266**
- (58) **Field of Classification Search**
USPC D23/213, 223, 224, 228, 229, 230, 259,
D23/262, 263, 266; D24/129; D13/155;
138/103, 105, 109, 118, 118.1, 121,
138/122, 126, 128, 140, 154, 155, 157, 158,
138/167, 173, 177; 285/58, 83, 124.1,
285/124.5, 179, 179.1
See application file for complete search history.

(56) **References Cited**

U.S. PATENT DOCUMENTS

| | | | |
|-------------|---------|-------------|--------|
| 40,967 A | 12/1863 | Vanguysling | |
| 151,166 A * | 5/1874 | Shaw et al. | 285/55 |
| 514,588 A | 2/1894 | Coles | |

(Continued)

OTHER PUBLICATIONS

Campos, Claudia; Summary of a first Office Action in corresponding Mexican patent application No. MX/F/2012/002101; Apr. 5, 2013; pp. 1-4; Becerrill, Coca & Becerril, S.C.; Mexico City; Mexico.

(Continued)

Primary Examiner — Eric Goodman

Assistant Examiner — Daniel J Domino

(74) *Attorney, Agent, or Firm* — Ballard Spahr LLP

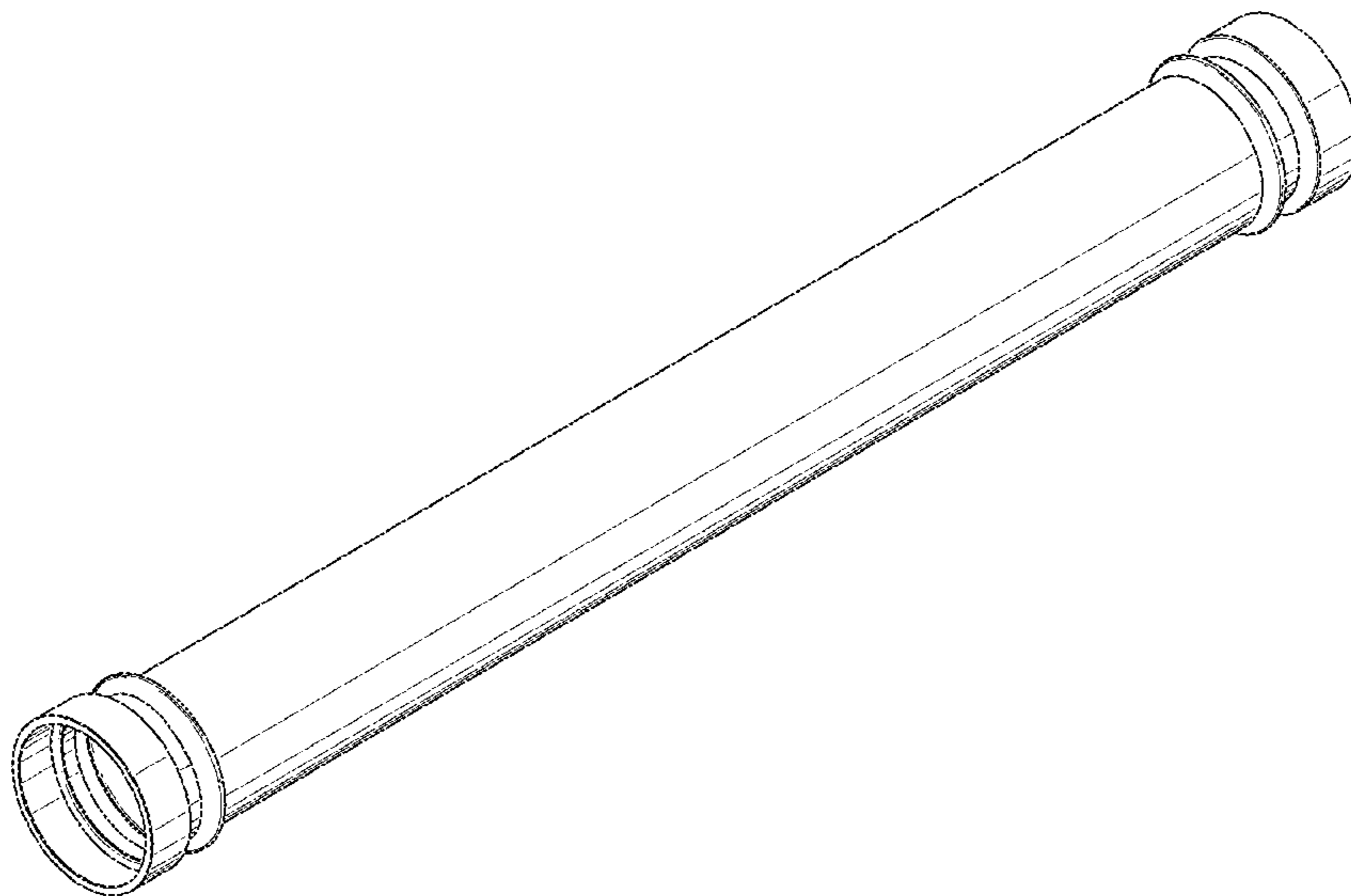
(57) **CLAIM**

We claim the ornamental design for a pipe element, as shown and described.

DESCRIPTION

FIG. 1 is an isometric view of an embodiment of our design for a pipe element;
 FIG. 2 is a left end view of the design for the pipe element shown in FIG. 1, the right end view being identical thereto;
 FIG. 3 is a top view of the design for the pipe element shown in FIG. 1, the bottom, left and right side views being identical thereto;
 FIG. 4 is longitudinal sectional view of a pipe element, taken along the line 4-4 in FIG. 3;
 FIG. 5 is an isometric view of an embodiment of our design for a pipe element;
 FIG. 6 is a left end view of the design for the pipe element shown in FIG. 5, the right end view being identical thereto;
 FIG. 7 is a top view of the design for the pipe element shown in FIG. 5, the bottom, left and right side views being identical thereto; and,
 FIG. 8 is a longitudinal sectional view of a pipe element, taken along the line 8-8 in FIG. 7.
 The broken line showing in the figures are for the purpose of illustrating portions of the article and form no part of the claimed design.

1 Claim, 4 Drawing Sheets



(56)

References Cited

U.S. PATENT DOCUMENTS

D33,462 S 10/1900 Stebbins
 749,338 A * 1/1904 Taylor et al. 285/332
 818,843 A 4/1906 McCormick
 856,896 A 6/1907 McCormick
 950,578 A 3/1910 Schmidt
 1,783,605 A 12/1930 Ernest
 1,978,774 A * 10/1934 Voss et al. 138/118.1
 D124,649 S 1/1941 Fish
 2,236,802 A 4/1941 McDonald
 D178,153 S 6/1956 Spring
 2,818,084 A * 12/1957 Tennison, Jr. 285/5
 2,930,408 A * 3/1960 Stevens 138/103
 3,598,156 A * 8/1971 Ulmer et al. 138/143
 3,738,139 A 6/1973 Proops et al.
 3,787,945 A 1/1974 Pasek et al.
 D235,343 S 6/1975 Otto
 4,134,431 A * 1/1979 Davidson et al. 138/109
 4,143,535 A 3/1979 Bouman
 4,145,068 A 3/1979 Toyomasu et al.
 4,311,248 A 1/1982 Westerlund et al.
 4,378,032 A * 3/1983 Saggese 138/175
 4,522,433 A 6/1985 Valentine et al.
 4,679,294 A * 7/1987 Lomax et al. 29/460
 D297,678 S 9/1988 Sisk
 4,796,457 A 1/1989 Lijima
 4,845,972 A 7/1989 Takeuchi et al.
 5,154,112 A * 10/1992 Wettren 99/323.1
 5,184,495 A 2/1993 Chunn et al.
 5,209,527 A 5/1993 Hohmann et al.
 5,336,401 A * 8/1994 Tu 210/167.26
 D350,941 S * 9/1994 Davis D13/155
 D358,202 S 5/1995 Sisk
 5,450,738 A 9/1995 Chatterley et al.
 D376,416 S 12/1996 Sisk
 5,718,461 A 2/1998 Esser
 D396,391 S 7/1998 Rein et al.
 5,826,920 A 10/1998 Bartholomew
 5,904,063 A 5/1999 Owens
 5,956,988 A 9/1999 Beste et al.
 5,996,245 A * 12/1999 Yamato 34/138
 6,196,039 B1 3/2001 Williams et al.
 6,263,903 B1 * 7/2001 Sjoberg 137/364
 D446,298 S 8/2001 Thurman
 6,324,883 B1 12/2001 Rennehvammen
 D464,409 S 10/2002 Nishio
 D472,881 S 4/2003 Hauschulz
 D475,448 S 6/2003 Stout, Jr.
 D483,094 S 12/2003 Wilk, Jr. et al.

D483,095 S 12/2003 Snyder et al.
 6,708,548 B2 3/2004 Ehrke et al.
 D493,214 S 7/2004 Snyder, Sr. et al.
 D495,404 S 8/2004 Wilk, Jr. et al.
 D497,414 S 10/2004 Matsumoto
 6,843,096 B2 1/2005 Viegner et al.
 D517,665 S 3/2006 Wilk, Jr. et al.
 7,361,274 B2 * 4/2008 Lazaredes 210/636
 7,364,206 B2 4/2008 Romanelli et al.
 D574,863 S 8/2008 Nagler et al.
 7,415,765 B2 8/2008 Ozawa
 7,506,897 B2 3/2009 Bauer
 D599,446 S 9/2009 Price et al.
 D603,941 S 11/2009 Leelaprachakul
 7,621,570 B2 11/2009 Hashem
 D615,631 S 5/2010 Price et al.
 D631,130 S 1/2011 Riedel
 D634,818 S 3/2011 Leroyer
 D634,819 S 3/2011 Leroyer
 D634,820 S 3/2011 Leroyer
 D636,468 S 4/2011 Ball
 7,967,031 B2 * 6/2011 Esser 138/109
 2002/0108426 A1 8/2002 Roe et al.
 2002/0134850 A1 * 9/2002 Hollenberg 239/33
 2005/0167977 A1 8/2005 Ozawa
 2005/0212284 A1 9/2005 Dole
 2008/0318514 A1 * 12/2008 Fettkether 454/330
 2009/0031938 A1 2/2009 Nagler et al.
 2009/0189391 A1 7/2009 Ferlin et al.
 2010/0244432 A1 * 9/2010 Neame et al. 285/21.2
 2011/0061760 A1 * 3/2011 Gauthier et al. 138/177
 2012/0139236 A1 * 6/2012 Novitsky et al. 285/399
 2012/0204992 A1 * 8/2012 Park et al. 138/140
 2013/0061973 A1 * 3/2013 Zerbes et al. 138/109
 2013/0108787 A1 * 5/2013 Lages et al. 427/236
 2013/0250545 A1 * 9/2013 Dial 362/84
 2014/0210206 A1 * 7/2014 Dole et al. 285/410

OTHER PUBLICATIONS

Campos, Claudia; Summary of a second Office Action in corresponding Mexican patent application No. MX/F/2012/002101; Sep. 10, 2013; pp. 1-3; Becerril, Coca & Becerril, S.C.; Mexico City, Mexico. Author Unknown; English Translation of IPO Office Action from corresponding Taiwan patent application No. 100303345; Mar. 23, 2012; Taiwan Intellectual Property Office; Taipei City, Taiwan. Mei-Hua, Wang; English translation of Decision of Rejection from corresponding Taiwan patent application No. 100303345; Nov. 21, 2012; Taiwan Intellectual Property Office; Taipei City, Taiwan.

* cited by examiner

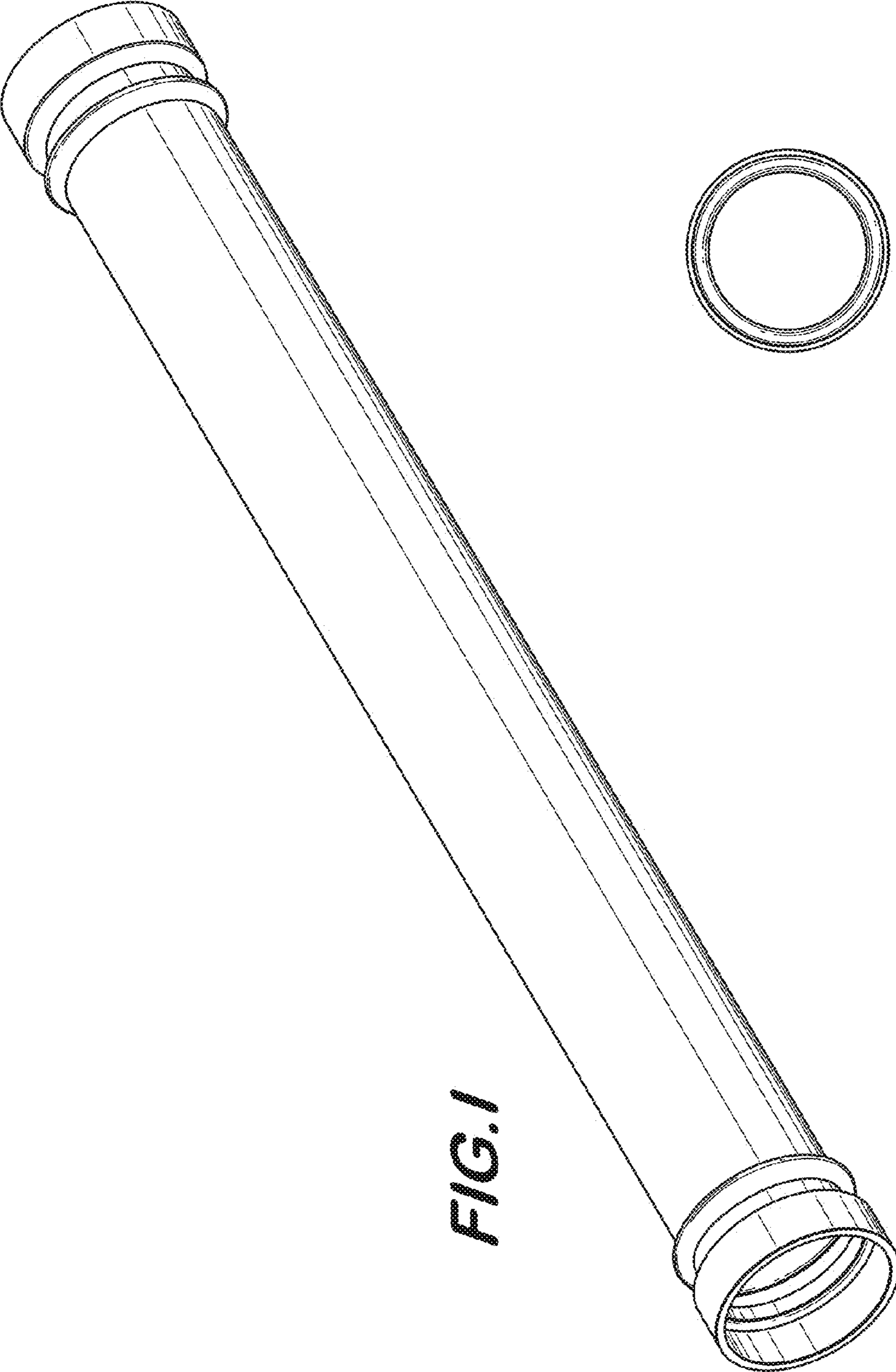


FIG. 1

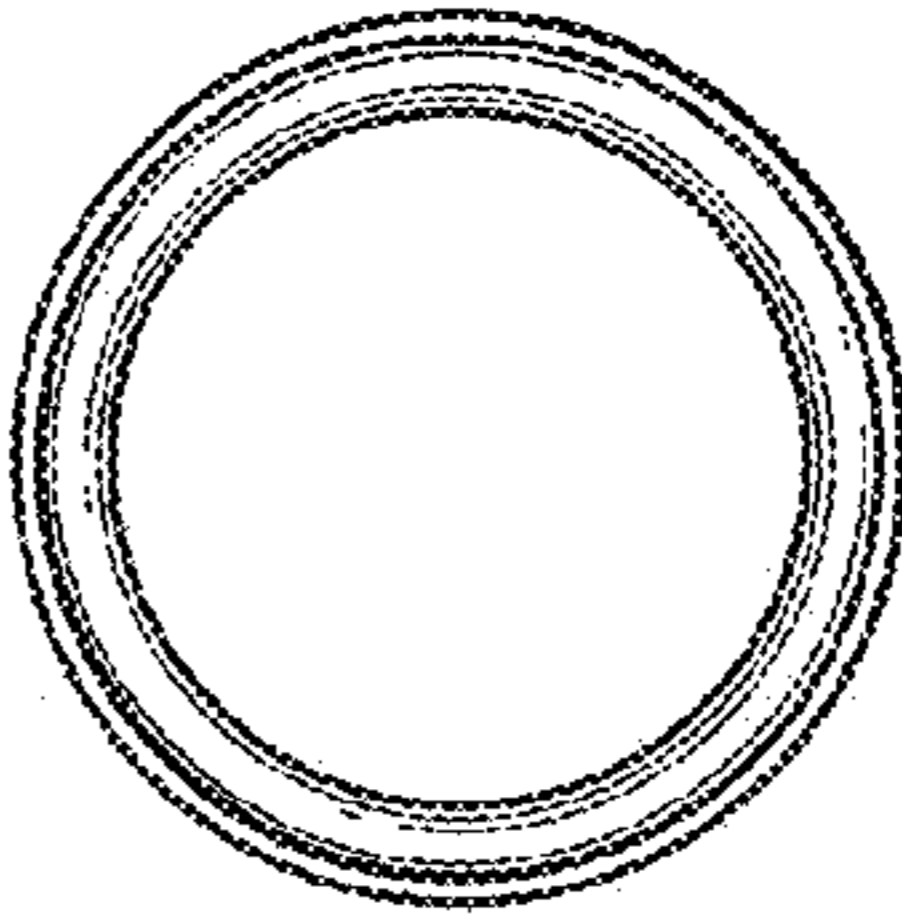
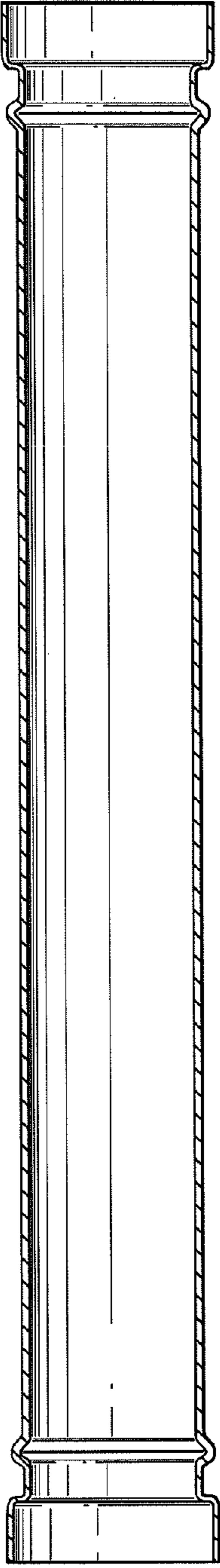
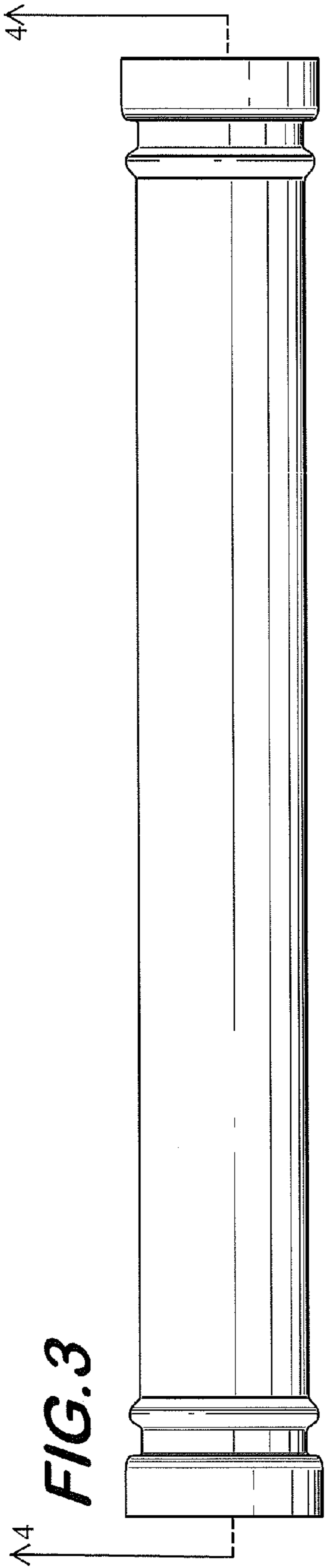


FIG. 2



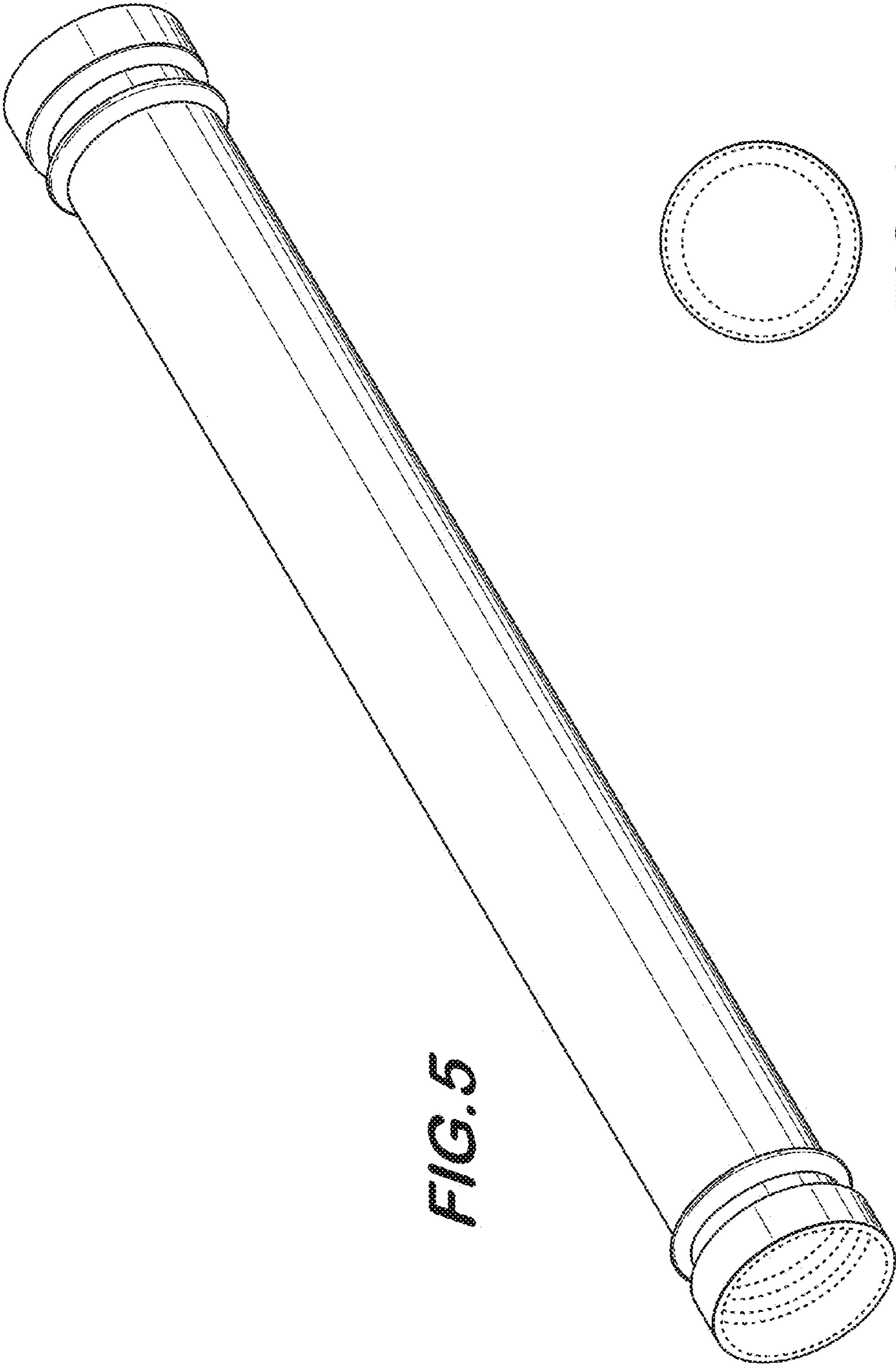


FIG. 5

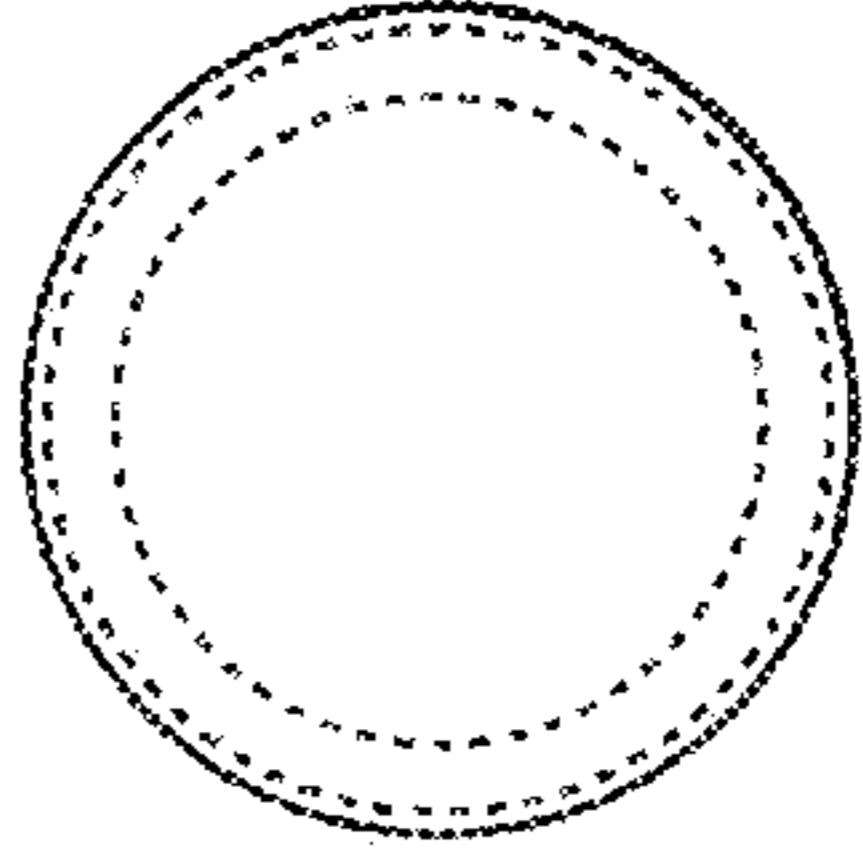


FIG. 6

