



US00D720049S

(12) **United States Design Patent**
Lin

(10) **Patent No.:** **US D720,049 S**

(45) **Date of Patent:** **** Dec. 23, 2014**

(54) **FAUCET**

(71) Applicant: **Wen-Tsung Lin**, Changhua (TW)

(72) Inventor: **Wen-Tsung Lin**, Changhua (TW)

(73) Assignee: **Hsue Sam Enterprise Co. Ltd.**,
Changhua (TW)

(**) Term: **14 Years**

(21) Appl. No.: **29/487,284**

(22) Filed: **Apr. 7, 2014**

(51) **LOC (10) Cl.** **23-01**

(52) **U.S. Cl.**
USPC **D23/238**

(58) **Field of Classification Search**
CPC E03C 1/04; E03C 1/0401; E03C 1/0402;
E03C 1/0404
USPC D23/238, 241-243, 249, 255, 257, 250,
D23/252

See application file for complete search history.

(56) **References Cited**

U.S. PATENT DOCUMENTS

D398,038 S *	9/1998	Donahue et al.	D23/241
D428,966 S *	8/2000	Pitsch	D23/238
D441,427 S *	5/2001	Pitsch et al.	D23/238
D467,303 S *	12/2002	Kemp	D23/238

* cited by examiner

Primary Examiner — Robert Delehanty

(74) *Attorney, Agent, or Firm* — Che-Yung Chen; Law
Office of Michael Chen

(57) **CLAIM**

The ornamental design for a faucet, as shown and described.

DESCRIPTION

FIG. 1 is a perspective view of a faucet showing my new
design;

FIG. 2 is a front elevational view thereof;

FIG. 3 is a rear elevational view thereof;

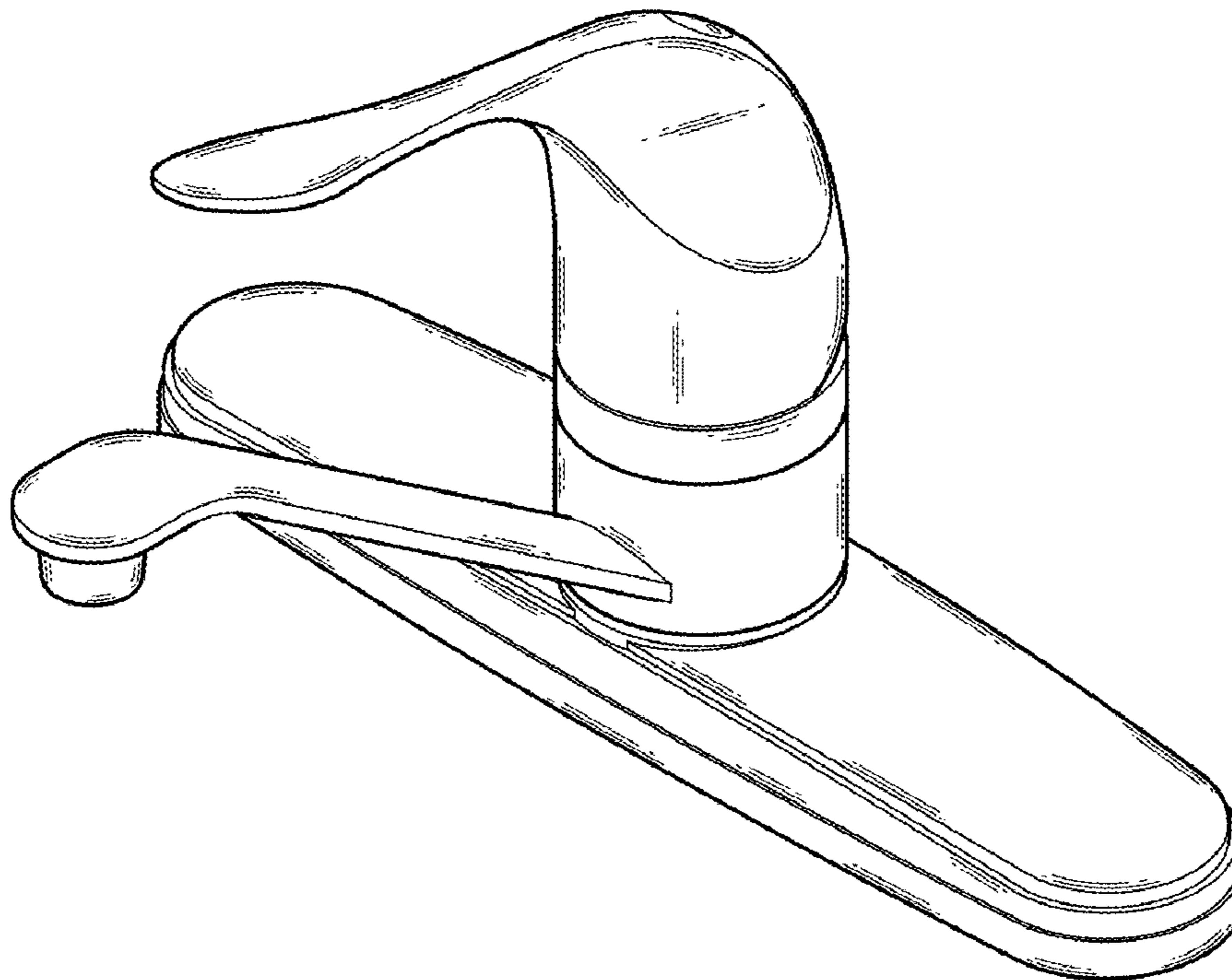
FIG. 4 is a left side elevational view thereof;

FIG. 5 is a right side elevational view thereof;

FIG. 6 is a top plan view thereof; and,

FIG. 7 is a bottom plan view thereof.

1 Claim, 4 Drawing Sheets



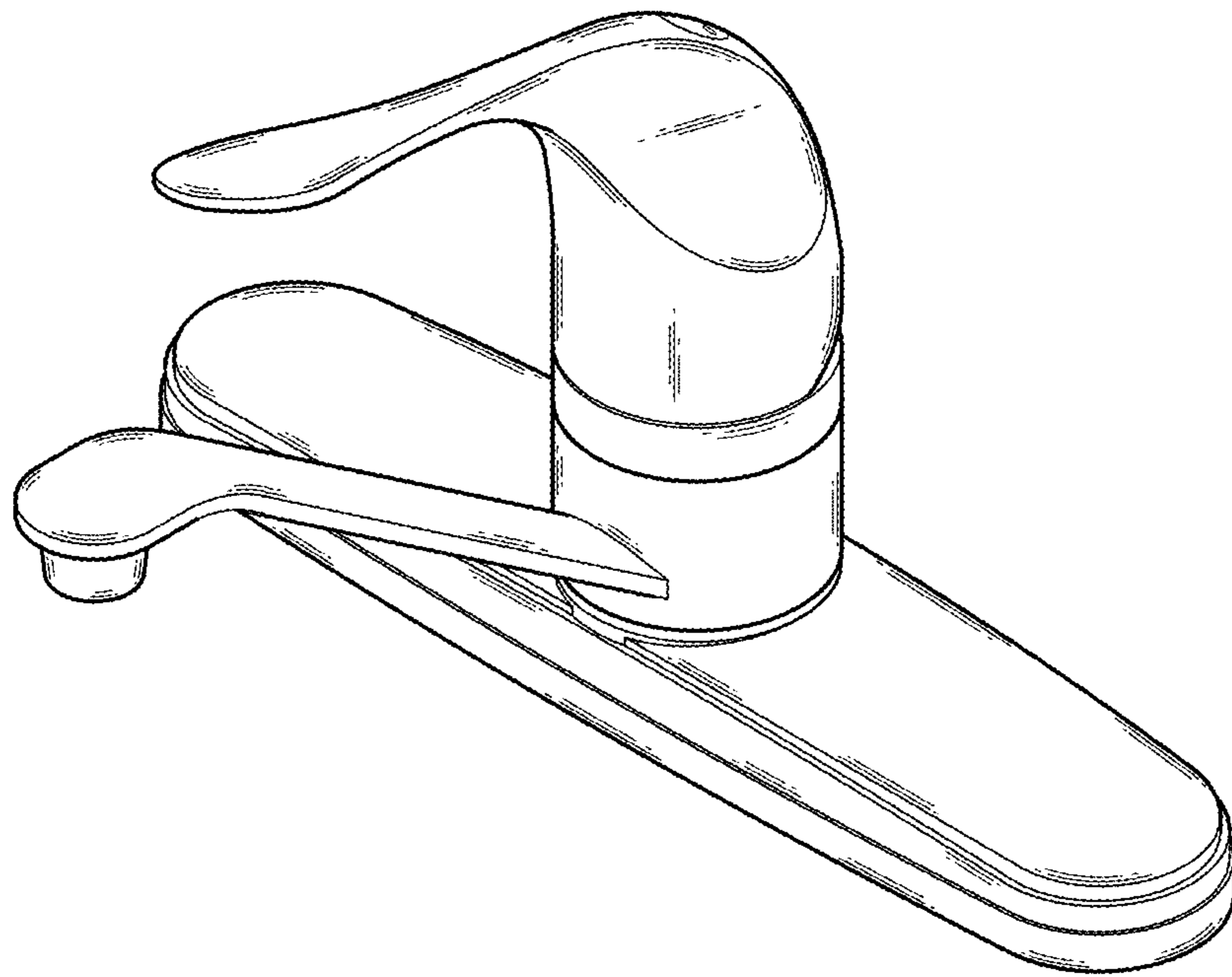


FIG. 1

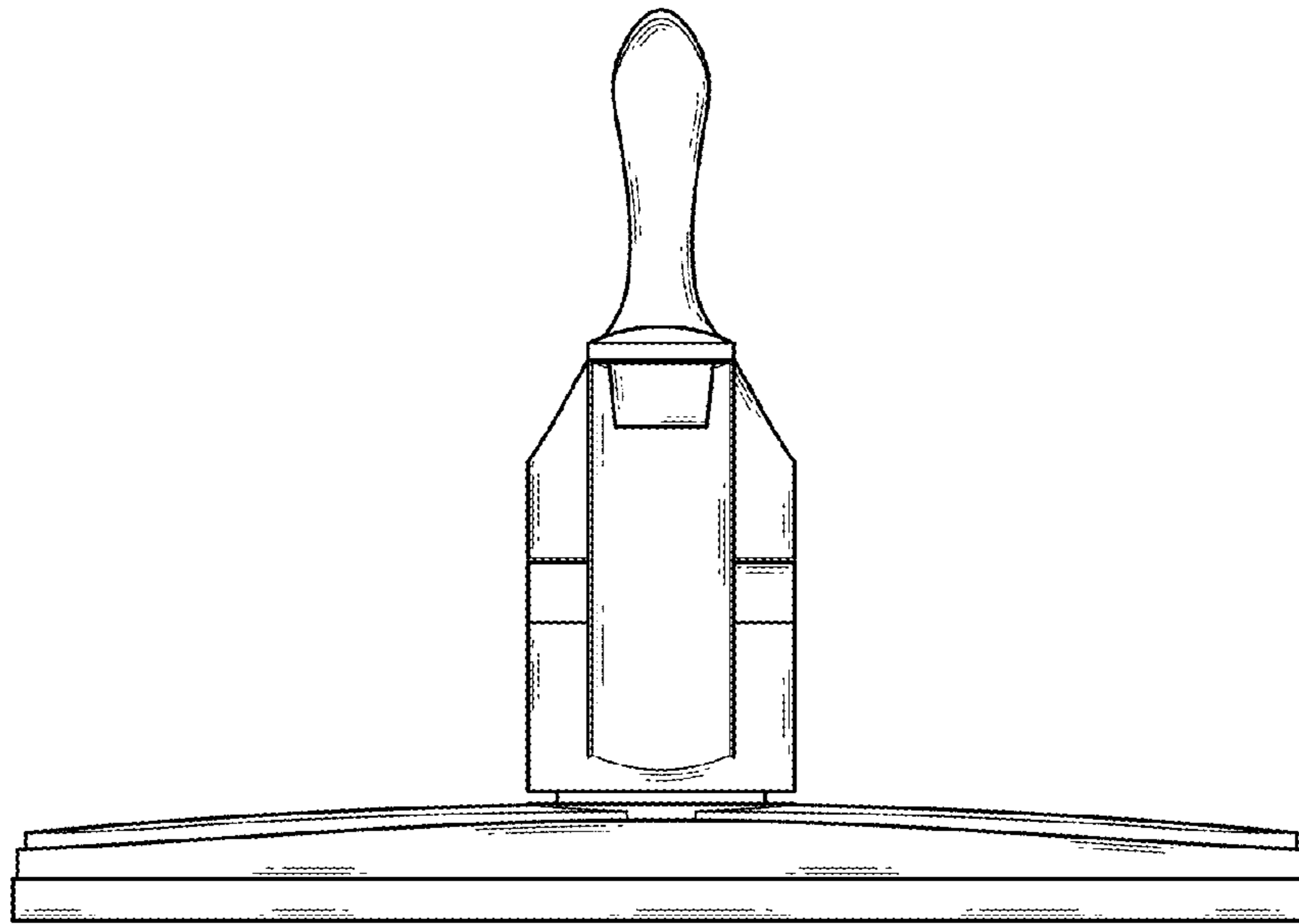


FIG. 2

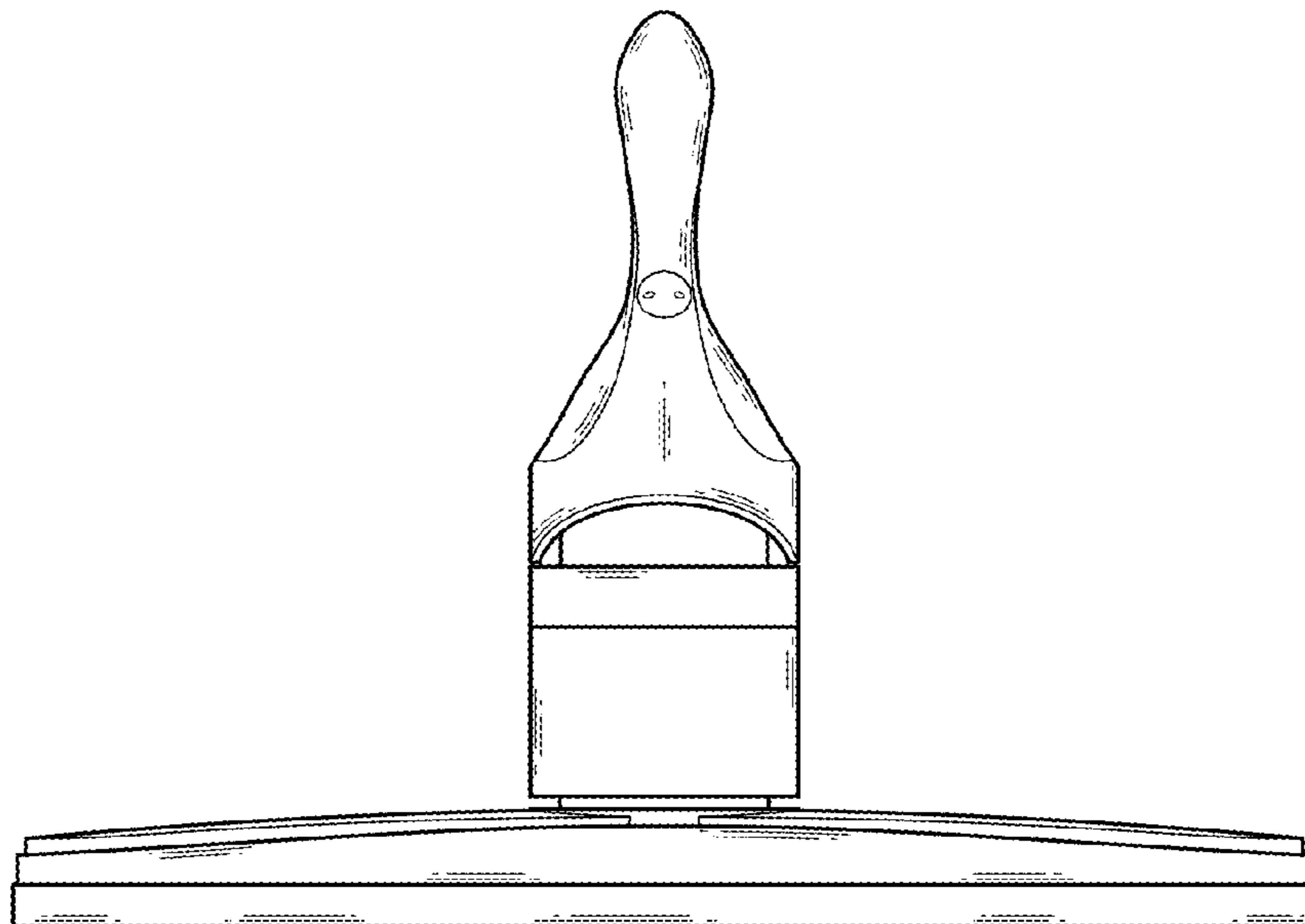


FIG. 3

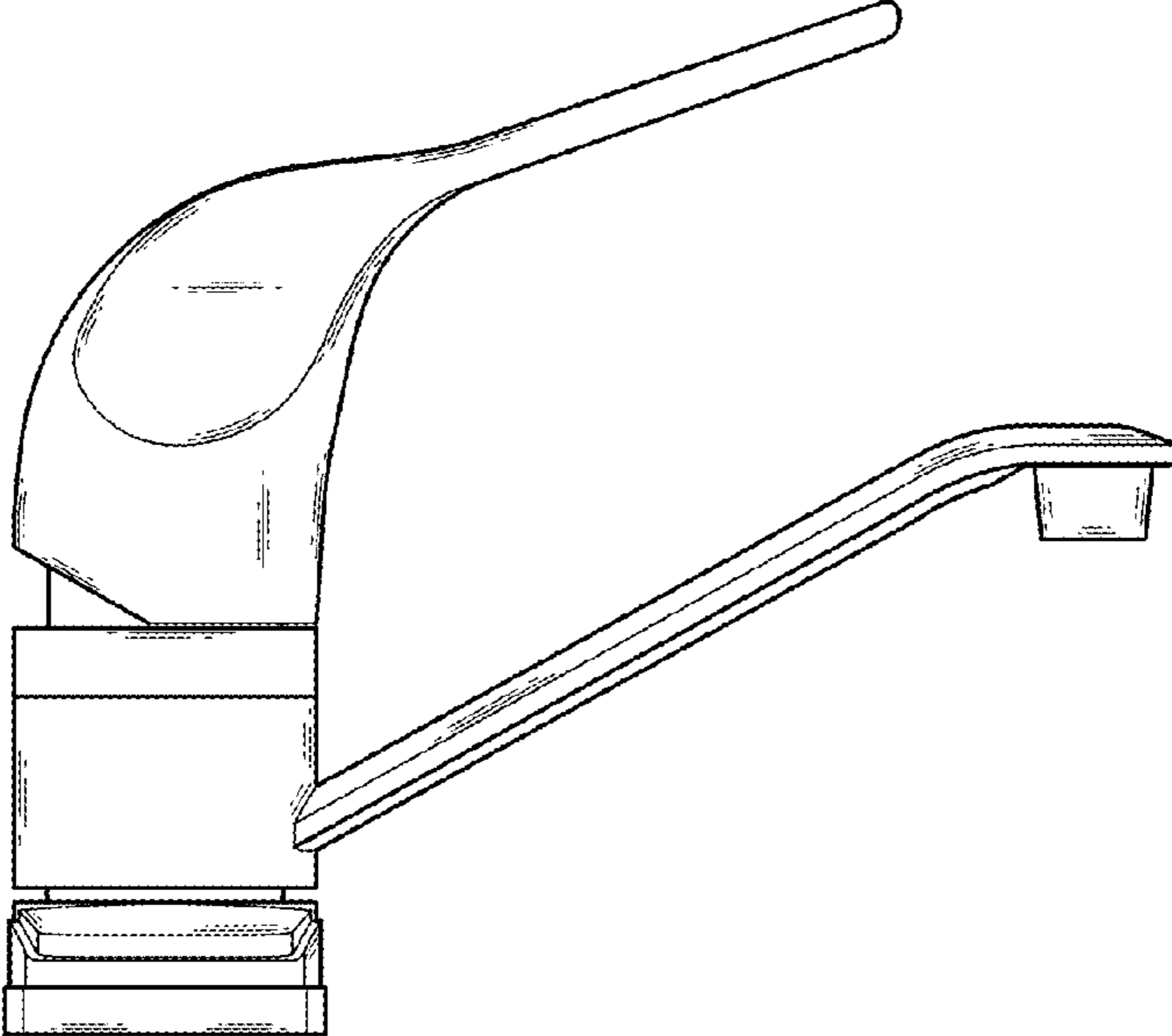


FIG. 4

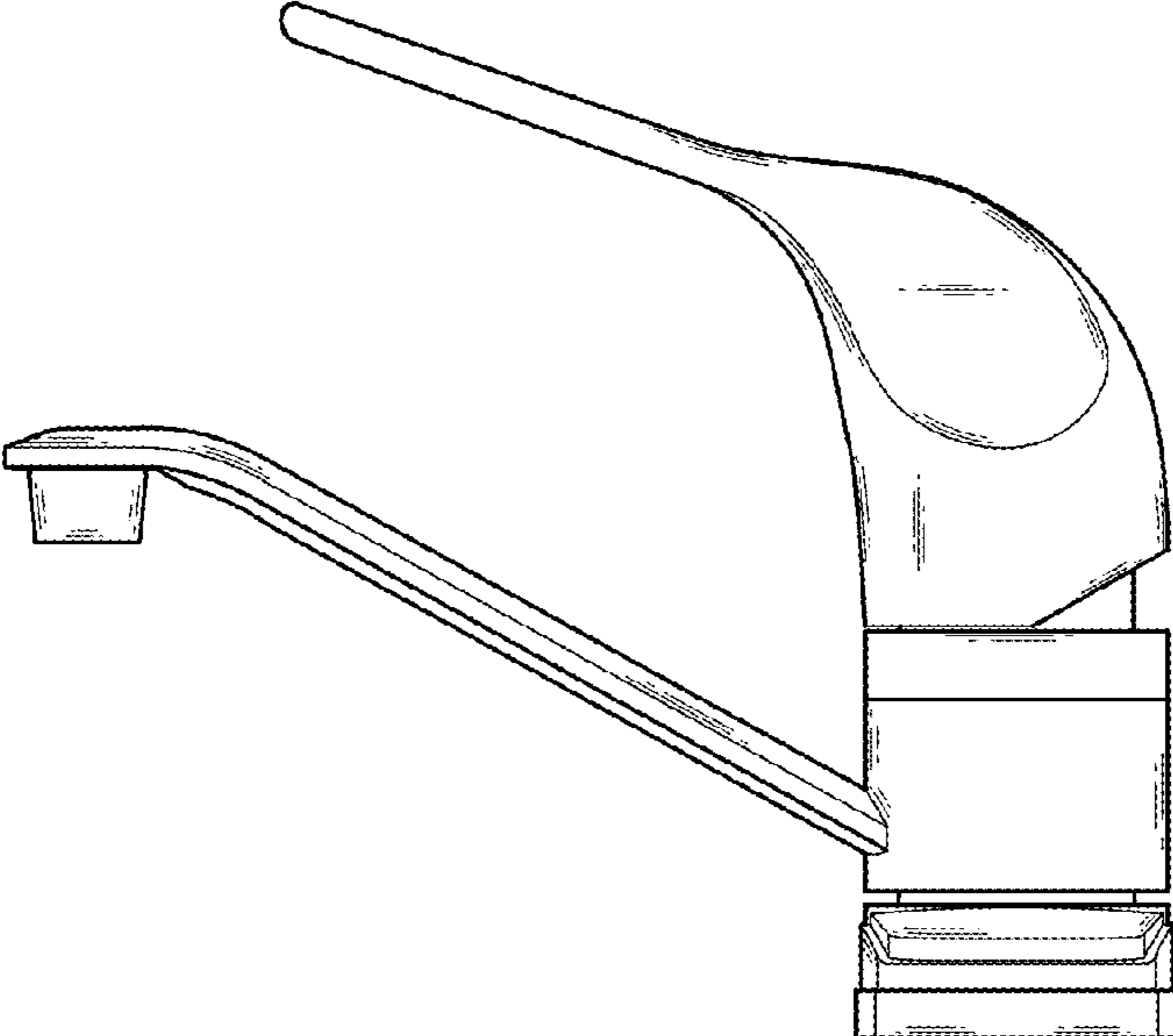


FIG. 5

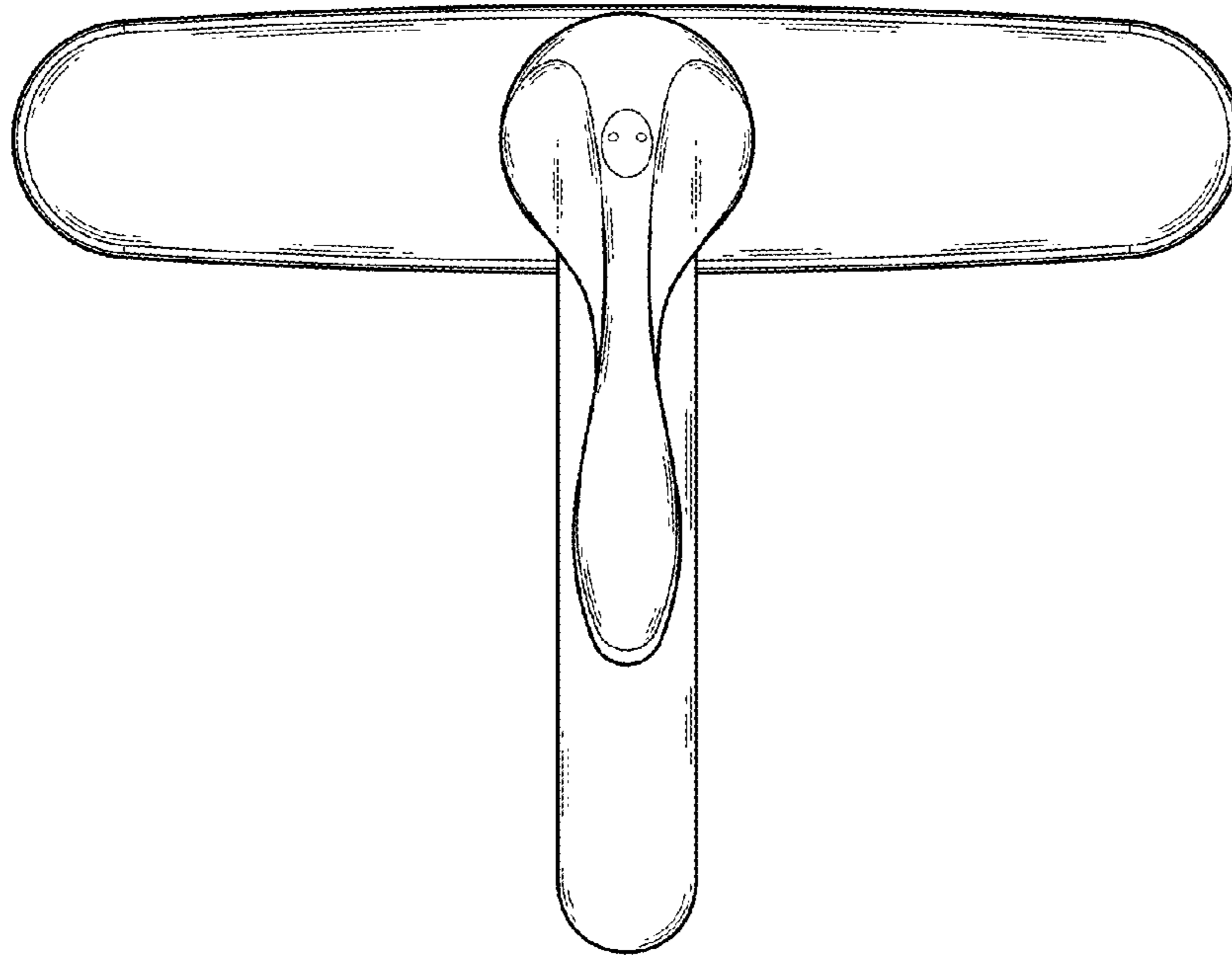


FIG. 6

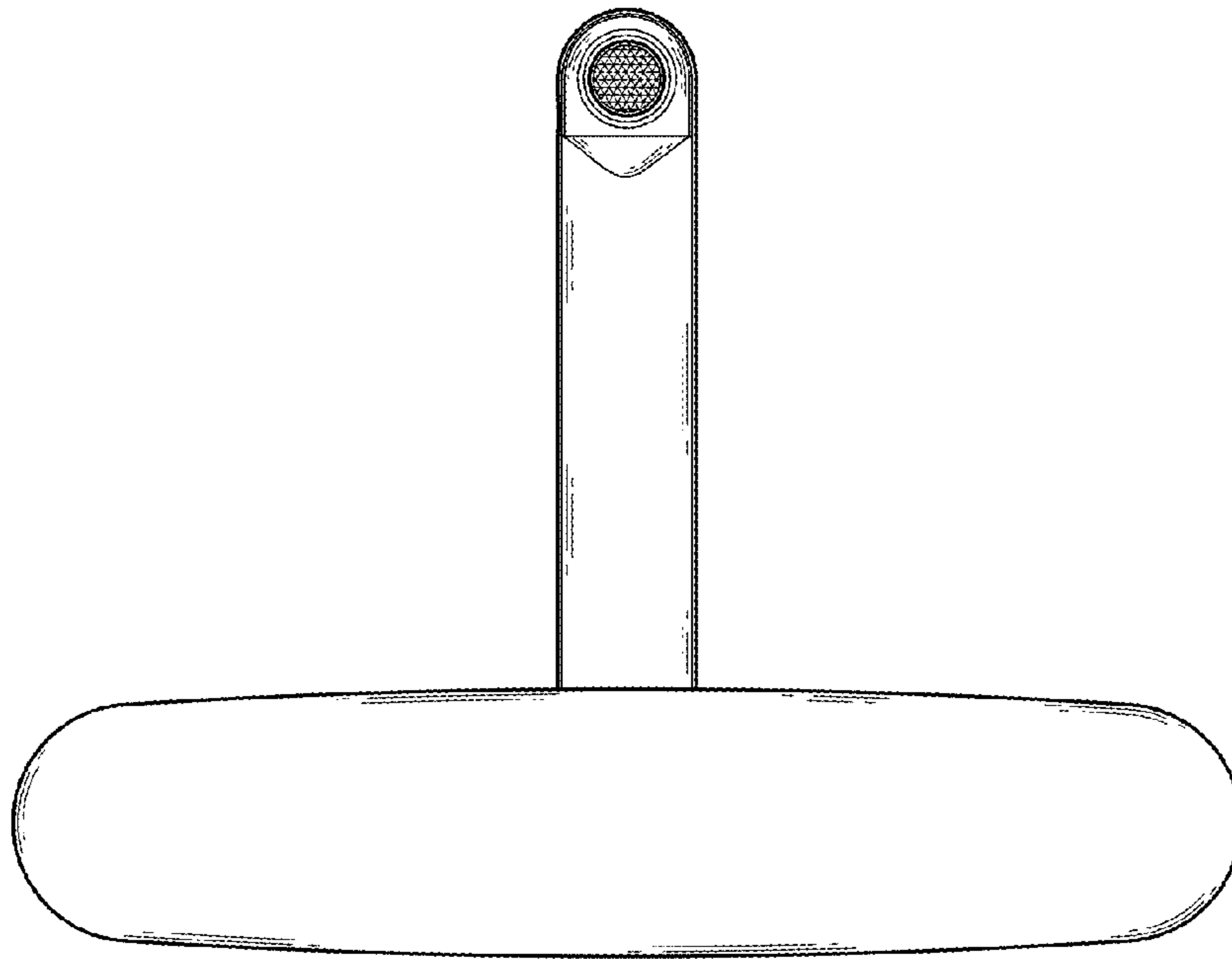


FIG. 7