

US00D720046S

(12) **United States Design Patent**  
**Morodomi et al.**

(10) **Patent No.:** **US D720,046 S**

(45) **Date of Patent:** **\*\* Dec. 23, 2014**

(54) **ELECTROMAGNETIC VALVE**

(71) Applicants: **Yoichi Morodomi**, Tsukubamirai (JP);  
**Shinji Miyazoe**, Tsukubamirai (JP)

(72) Inventors: **Yoichi Morodomi**, Tsukubamirai (JP);  
**Shinji Miyazoe**, Tsukubamirai (JP)

(73) Assignee: **SMC Corporation**, Chiyoda-ku, Tokyo  
(JP)

(\*\*) Term: **14 Years**

(21) Appl. No.: **29/484,085**

(22) Filed: **Mar. 6, 2014**

(30) **Foreign Application Priority Data**

Sep. 30, 2013 (JP) ..... 2013-022778

(51) **LOC (10) Cl.** ..... **23-01**

(52) **U.S. Cl.**  
USPC ..... **D23/233**

(58) **Field of Classification Search**  
CPC ..... F16K 31/0655; F16K 31/0675; F16K  
31/0658; F16K 31/06; H01F 7/081  
USPC ..... D23/233, 234-237; 137/625.64, 85,  
137/909; 123/406.69; 251/129.01, 129.11,  
251/129.15, 149.8  
See application file for complete search history.

(56) **References Cited**

**U.S. PATENT DOCUMENTS**

D415,256	S	*	10/1999	Hayashi et al.	.....	D23/233
D416,309	S	*	11/1999	Hayashi et al.	.....	D23/233
D416,980	S	*	11/1999	Sato et al.	.....	D23/233
D419,216	S	*	1/2000	Sato et al.	.....	D23/233
D443,030	S	*	5/2001	Kaneko et al.	.....	D23/233
D459,441	S	*	6/2002	Hayashi et al.	.....	D23/233
D460,148	S	*	7/2002	Hayashi et al.	.....	D23/233
D533,254	S	*	12/2006	Miyazoe et al.	.....	D23/233
D533,255	S	*	12/2006	Miyazoe et al.	.....	D23/233
D544,578	S	*	6/2007	Matsumoto et al.	.....	D23/233

D544,581	S	*	6/2007	Matsumoto et al.	.....	D23/233
D546,420	S	*	7/2007	Matsumoto et al.	.....	D23/233
7,316,244	B2	*	1/2008	Miyazoe et al.	.....	137/625.64
D563,506	S	*	3/2008	Kato et al.	.....	D23/233
D563,508	S	*	3/2008	Yoshimura et al.	.....	D23/233
D563,509	S	*	3/2008	Kato	.....	D23/233
D563,516	S	*	3/2008	Mita et al.	.....	D23/233
D563,517	S	*	3/2008	Miyazoe et al.	.....	D23/233
D563,518	S	*	3/2008	Miyazoe et al.	.....	D23/233
D563,519	S	*	3/2008	Miyazoe et al.	.....	D23/233
D563,520	S	*	3/2008	Miyazoe et al.	.....	D23/233
D563,521	S	*	3/2008	Miyazoe et al.	.....	D23/233
D563,522	S	*	3/2008	Miyazoe et al.	.....	D23/233
D563,523	S	*	3/2008	Matsumoto et al.	.....	D23/233
D564,072	S	*	3/2008	Yoshimura et al.	.....	D23/233
D564,627	S	*	3/2008	Miyazoe et al.	.....	D23/233

(Continued)

*Primary Examiner* — Cynthia Ramirez

*Assistant Examiner* — Gino Colan

(74) *Attorney, Agent, or Firm* — Yokoi & Co., U.S.A., Inc.;  
Toshiyuki Yokoi

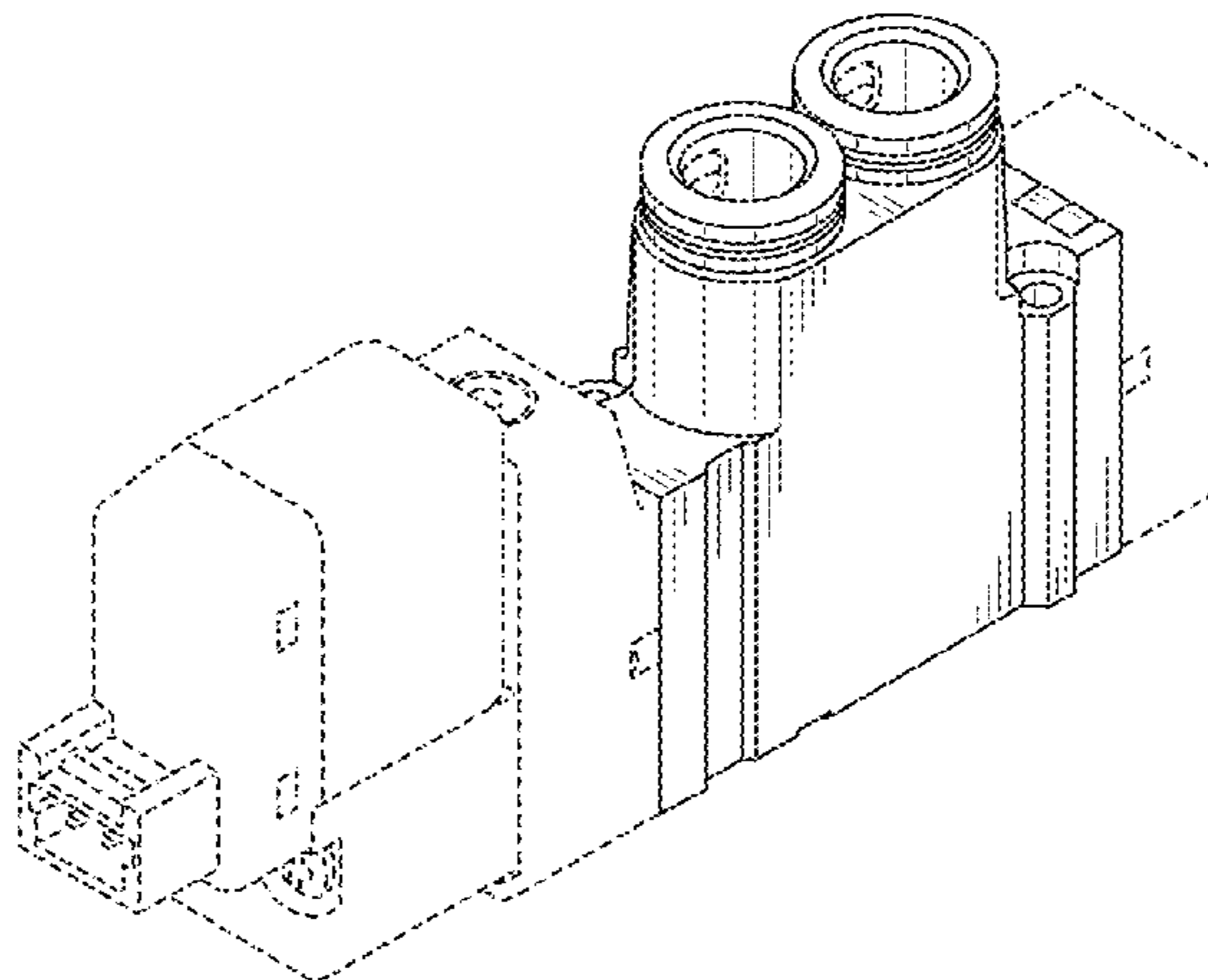
(57) **CLAIM**

The ornamental design for an electromagnetic valve, as shown and described.

**DESCRIPTION**

FIG. 1 shows a front view of an electromagnetic valve showing our new design;  
FIG. 2 shows a rear view thereof;  
FIG. 3 shows a right side view thereof;  
FIG. 4 shows a left side view thereof;  
FIG. 5 shows a top view thereof;  
FIG. 6 shows a bottom view thereof;  
FIG. 7 shows a top, front and left side perspective view thereof; and,  
FIG. 8 shows a bottom, rear and right side perspective view thereof.  
The portions of the design shown in broken lines in FIGS. 1-8 are for the purpose of illustrating the environment only and form no part of the claimed design.

**1 Claim, 4 Drawing Sheets**



(56)

**References Cited**

U.S. PATENT DOCUMENTS

D564,628 S *	3/2008	Miyazoe et al. ....	D23/233	D621,911 S *	8/2010	Miyazoe et al. ....	D23/233
D564,629 S *	3/2008	Miyazoe et al. ....	D23/233	D623,270 S *	9/2010	Fukano et al. ....	D23/233
D564,630 S *	3/2008	Miyazoe et al. ....	D23/233	D636,460 S *	4/2011	Hayashi .....	D23/233
D564,631 S *	3/2008	Miyazoe et al. ....	D23/233	D639,393 S *	6/2011	Hayashi .....	D23/233
D572,344 S *	7/2008	Kato .....	D23/233	D653,307 S *	1/2012	Senba .....	D23/233
D574,466 S *	8/2008	Kato .....	D23/233	D653,308 S *	1/2012	Senba .....	D23/233
D584,797 S *	1/2009	Matsumoto et al. ....	D23/233	D665,874 S *	8/2012	Senba .....	D23/233
D591,829 S *	5/2009	Miyazoe et al. ....	D23/233	D668,321 S *	10/2012	Senba .....	D23/233
D594,929 S *	6/2009	Takakuwa et al. ....	D23/233	D693,431 S *	11/2013	Tamura et al. ....	D23/233
D594,930 S *	6/2009	Takakuwa et al. ....	D23/233	D694,363 S *	11/2013	Narita .....	D23/233
D599,887 S *	9/2009	Matsumoto .....	D23/233	D694,364 S *	11/2013	Narita .....	D23/233
D599,888 S *	9/2009	Matsumoto .....	D23/233	D694,365 S *	11/2013	Narita .....	D23/233
D607,539 S *	1/2010	Matsumoto .....	D23/233	D694,858 S *	12/2013	Narita .....	D23/233
D607,540 S *	1/2010	Matsumoto .....	D23/233	D698,418 S *	1/2014	Narita .....	D23/233
D621,477 S *	8/2010	Miyazoe et al. ....	D23/233	D698,419 S *	1/2014	Narita .....	D23/233
				D698,899 S *	2/2014	Narita .....	D23/233
				D698,900 S *	2/2014	Narita .....	D23/233

\* cited by examiner

FIG. 1

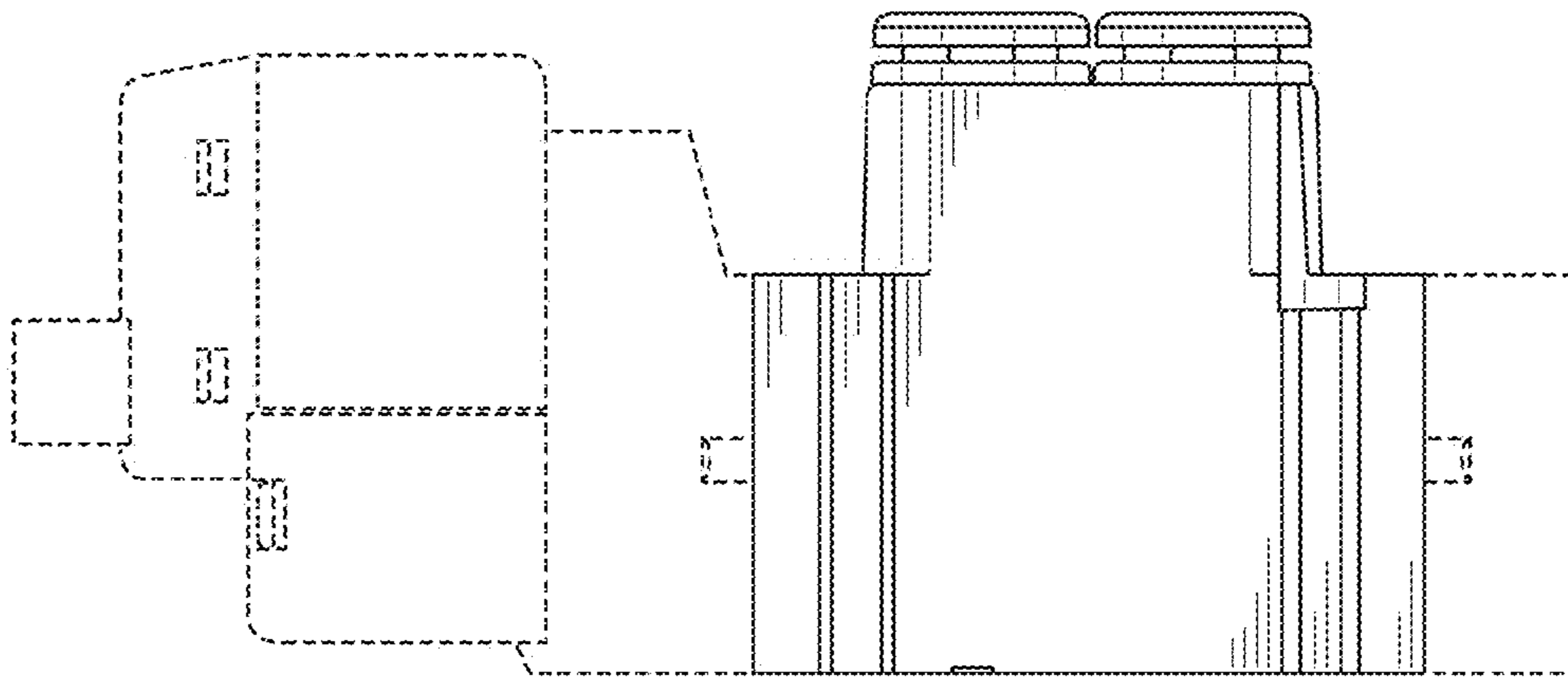


FIG. 2

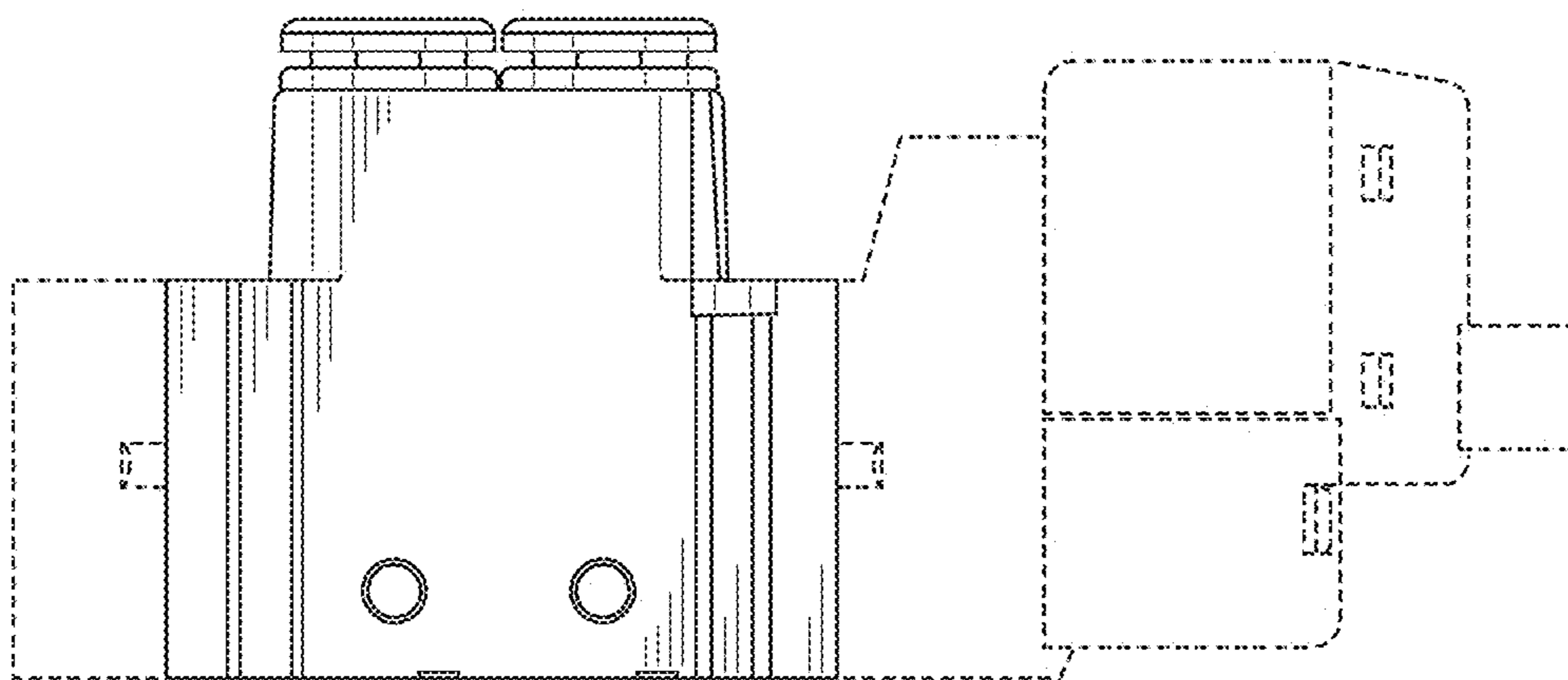


FIG. 3

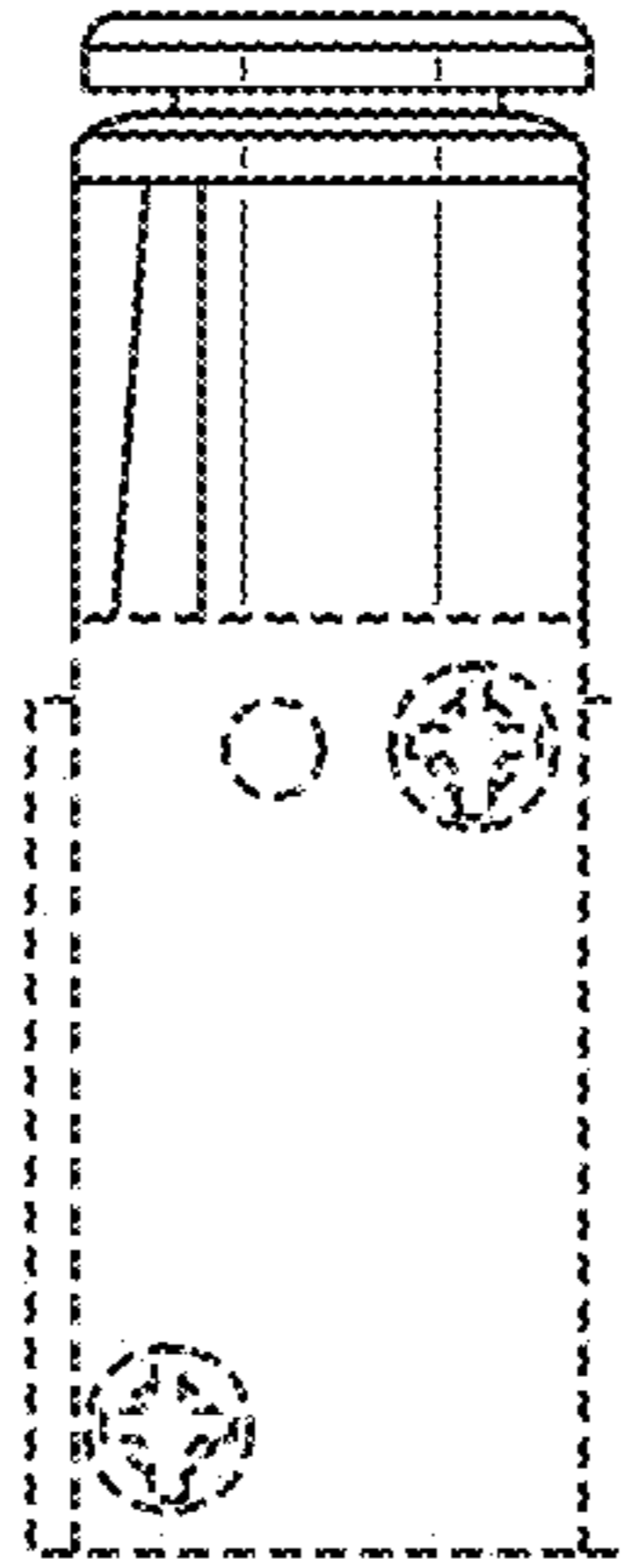


FIG. 4

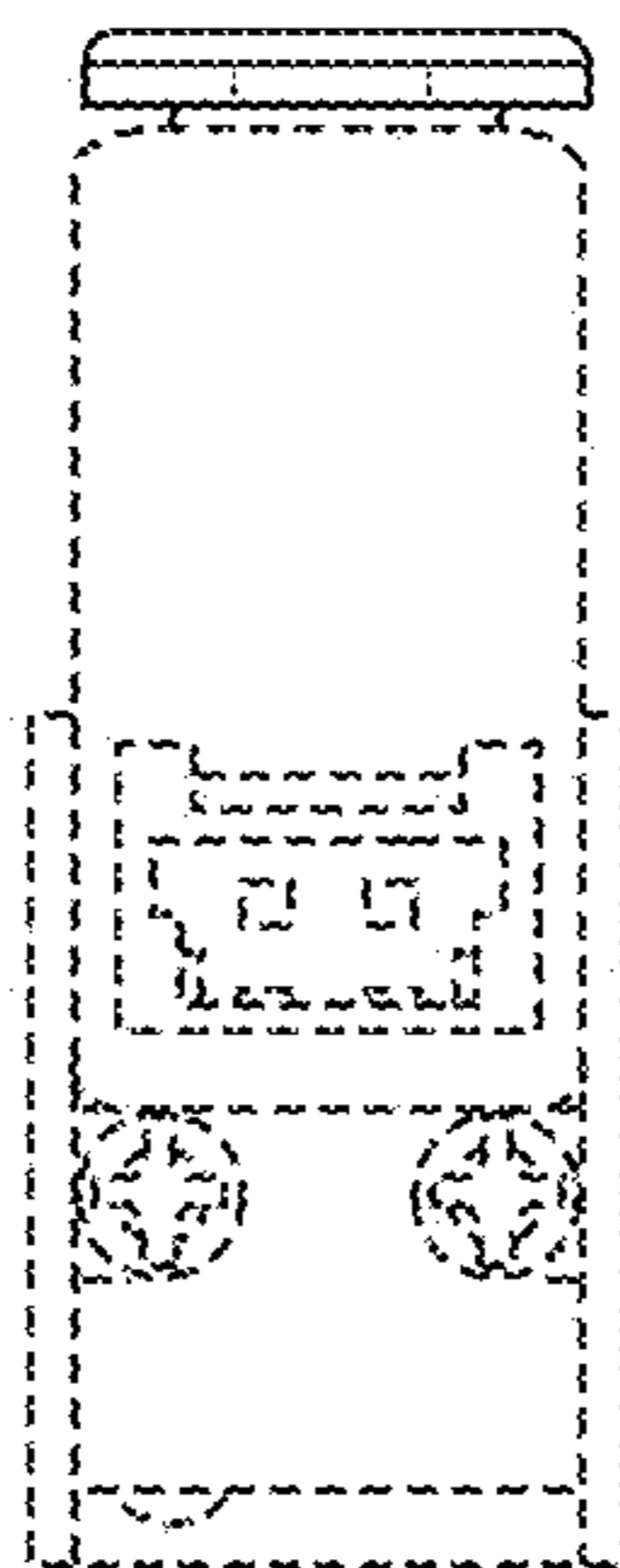


FIG. 5

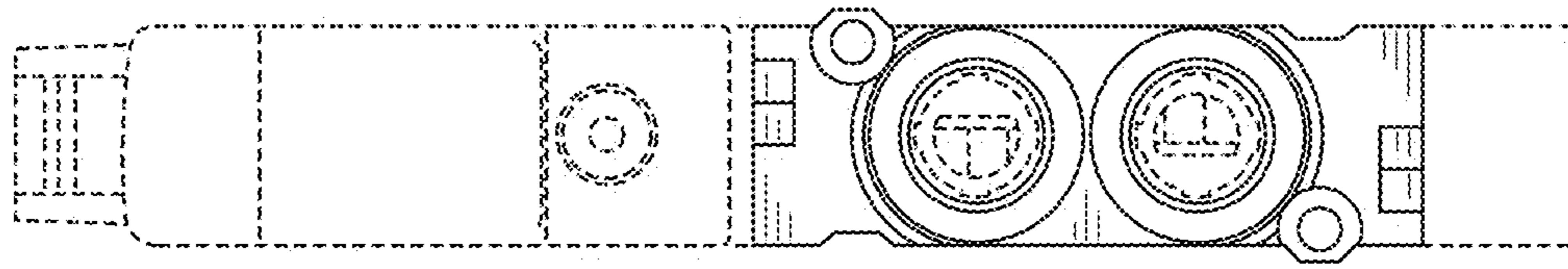


FIG. 6

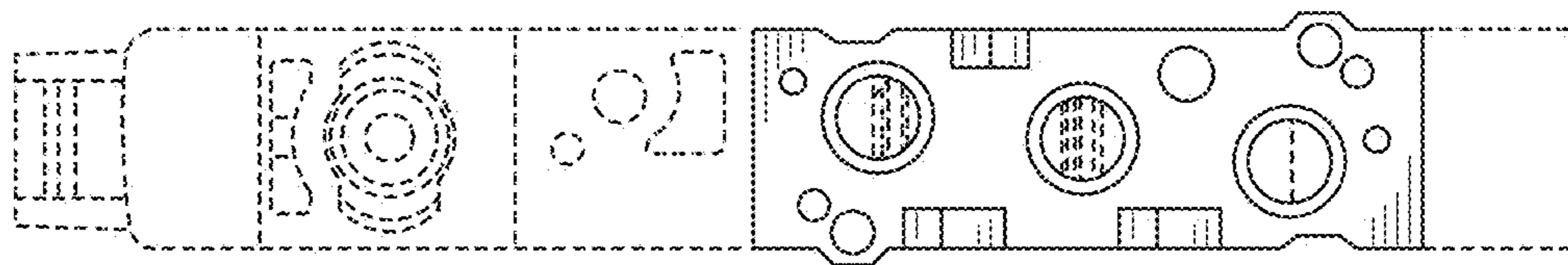




FIG. 7

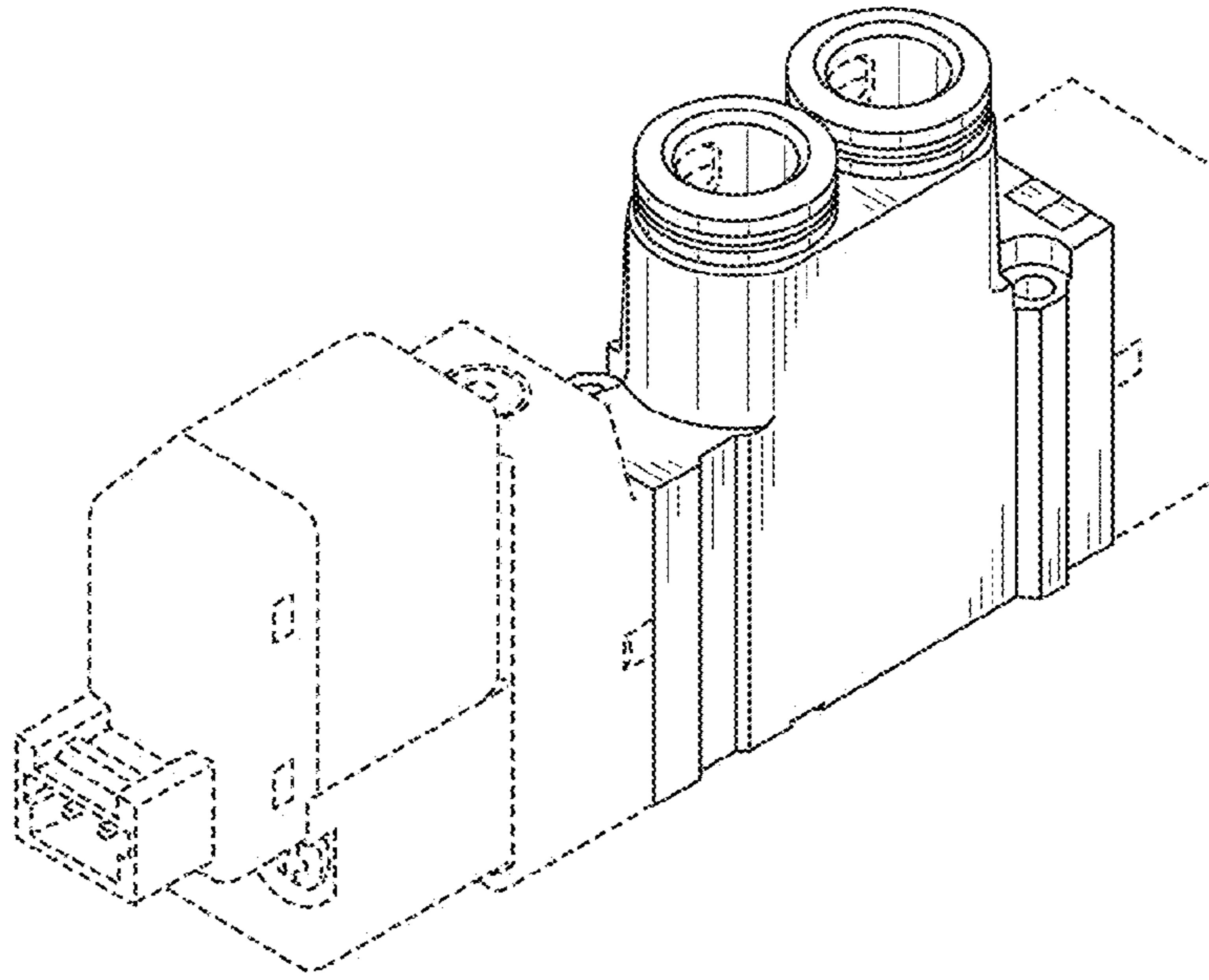


FIG. 8

