



US00D720044S

(12) **United States Design Patent**  
**Enzaki**

(10) **Patent No.:** **US D720,044 S**

(45) **Date of Patent:** **\*\* Dec. 23, 2014**

(54) **ELECTROMAGNETIC VALVE**

(71) Applicant: **Akira Enzaki**, Tsukubamirai (JP)

(72) Inventor: **Akira Enzaki**, Tsukubamirai (JP)

(73) Assignee: **SMC Corporation**, Chiyoda-ku, Tokyo (JP)

(\*\*) Term: **14 Years**

(21) Appl. No.: **29/482,900**

(22) Filed: **Feb. 24, 2014**

(30) **Foreign Application Priority Data**

Nov. 7, 2013 (JP) ..... 2013-026045

(51) **LOC (10) Cl.** ..... **23-01**

(52) **U.S. Cl.**  
USPC ..... **D23/233**

(58) **Field of Classification Search**  
CPC ... F16K 27/067; F16K 27/065; F16K 27/062;  
F16K 5/047; F16K 5/0407; F16K 25/005  
USPC ..... D23/233-237, 244-249; 251/129.01,  
251/129.11, 149.8, 368, 62, 63.5; 137/547,  
137/549, 377, 625.4, 625.41, 625.42,  
137/625.46, 625.64, 625.65  
See application file for complete search history.

(56) **References Cited**

**U.S. PATENT DOCUMENTS**

D546,520 S \* 7/2007 Glas ..... D34/1  
D572,344 S \* 7/2008 Kato ..... D23/233  
D671,194 S \* 11/2012 Ikenoya et al. .... D23/245

D687,515 S \* 8/2013 Iwata et al. .... D23/233  
D696,749 S \* 12/2013 Oike et al. .... D23/233  
D698,419 S \* 1/2014 Narita ..... D23/233  
D698,899 S \* 2/2014 Narita ..... D23/233  
D698,901 S \* 2/2014 Narita ..... D23/233  
D699,323 S \* 2/2014 Narita ..... D23/233  
D702,321 S \* 4/2014 Narita ..... D23/233  
D704,303 S \* 5/2014 Yoshimura et al. .... D23/233  
D708,707 S \* 7/2014 Matsumura ..... D23/233

\* cited by examiner

*Primary Examiner* — Cynthia Ramirez

(74) *Attorney, Agent, or Firm* — Yokoi & Co., U.S.A., Inc.;  
Toshiyuki Yokoi

(57) **CLAIM**

The ornamental design for an electromagnetic valve, as shown and described.

**DESCRIPTION**

FIG. 1 shows a front view of an electromagnetic valve showing my new design;  
FIG. 2 shows a rear view thereof;  
FIG. 3 shows a right side view thereof;  
FIG. 4 shows a left side view thereof;  
FIG. 5 shows a top view thereof;  
FIG. 6 shows a bottom view thereof;  
FIG. 7 shows a bottom, front and left side perspective view thereof; and,  
FIG. 8 shows a top, rear and right side exploded perspective view thereof.

The portions of the design shown in broken lines in FIGS. 1-8 are for the purpose of illustrating the environment only and form no part of the claimed design.

**1 Claim, 7 Drawing Sheets**

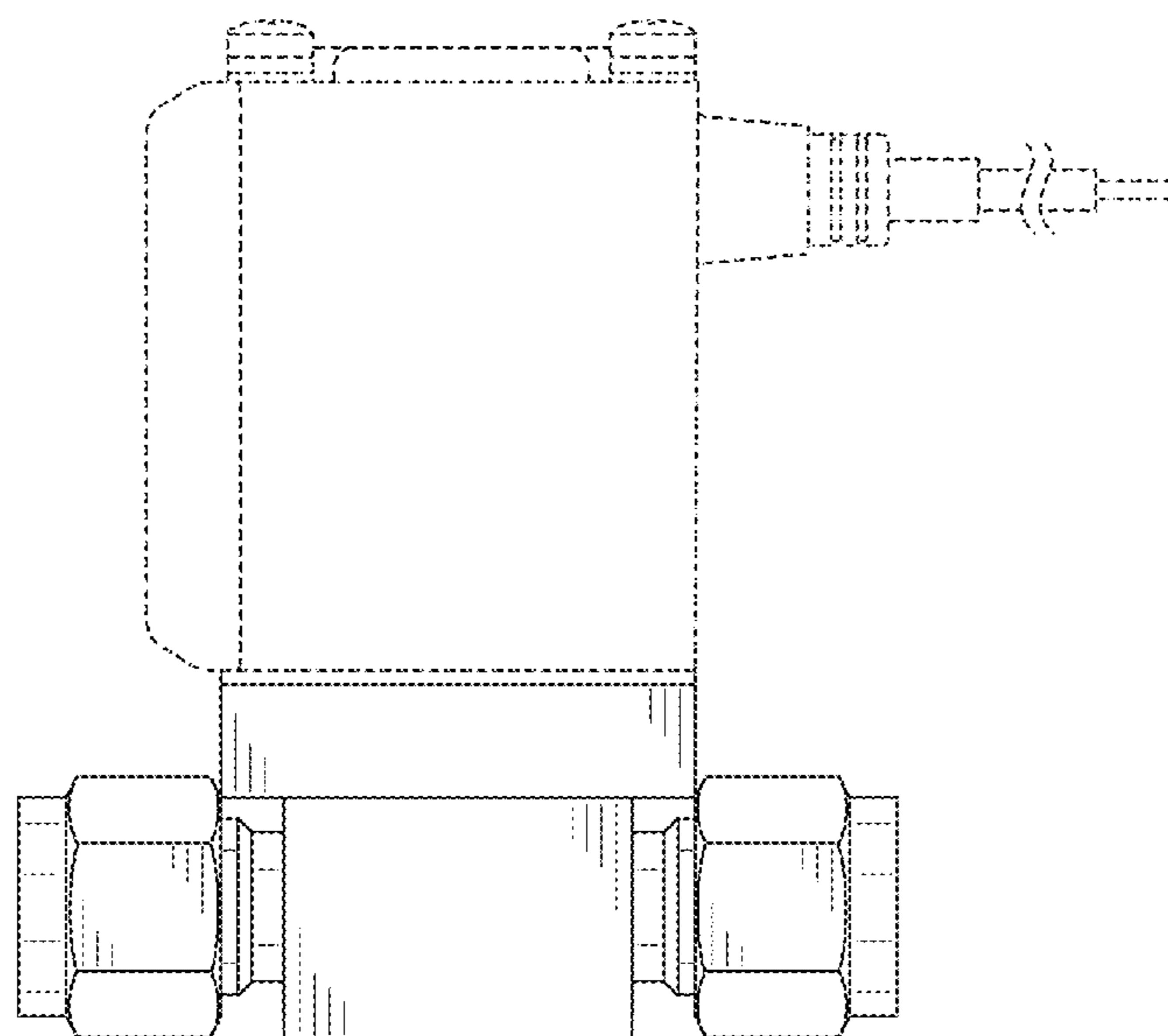


FIG. 1

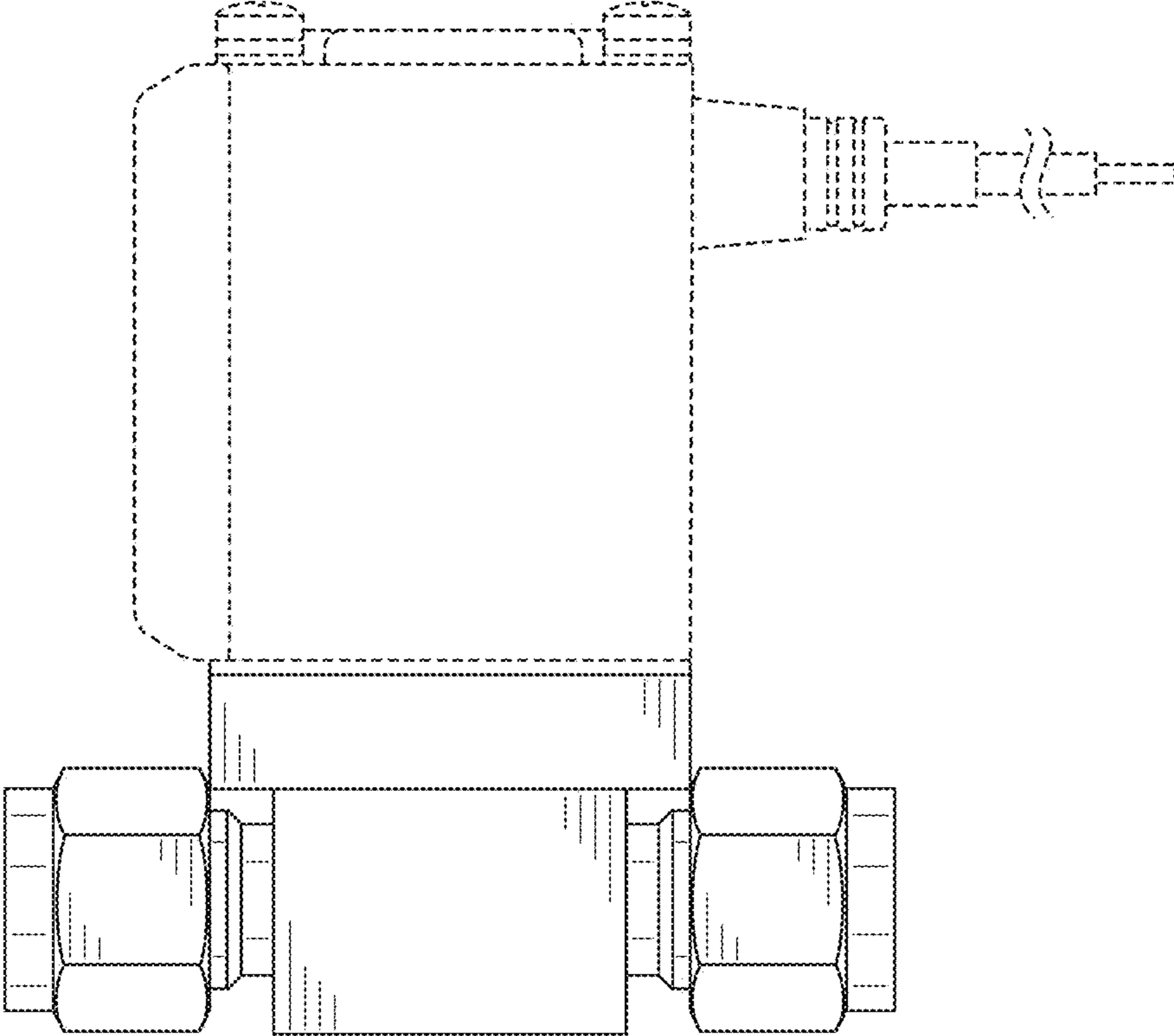


FIG. 2

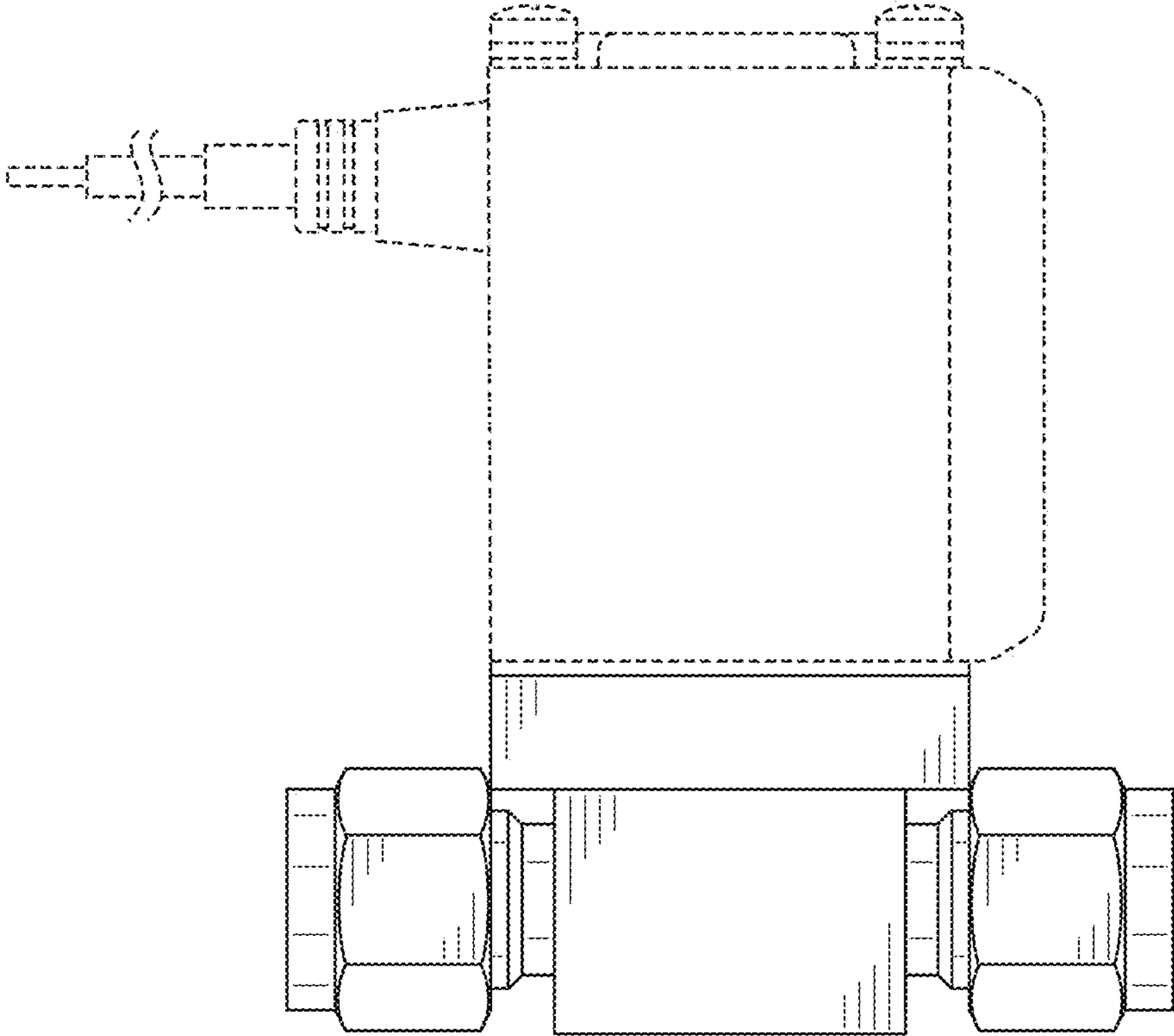


FIG. 3

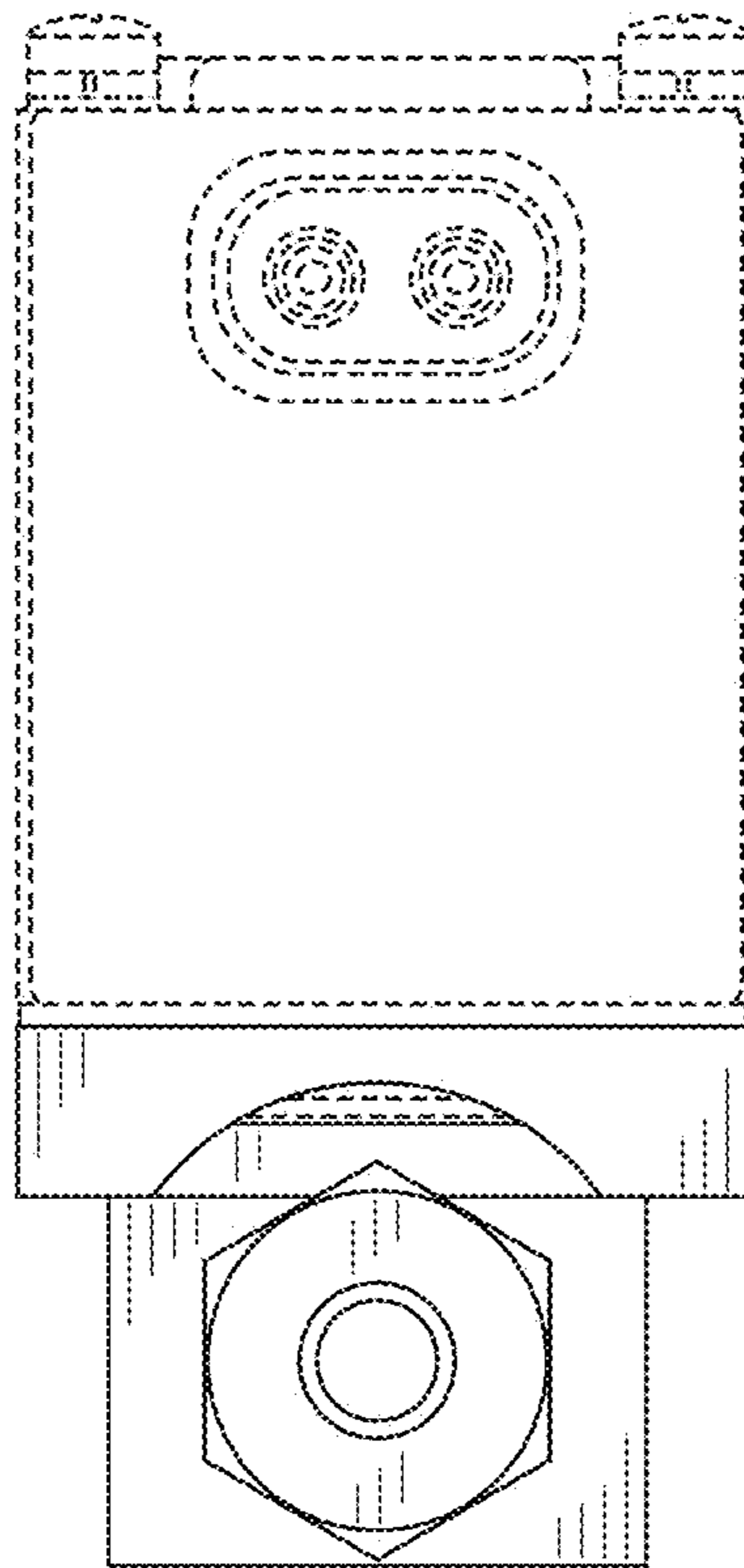


FIG. 4

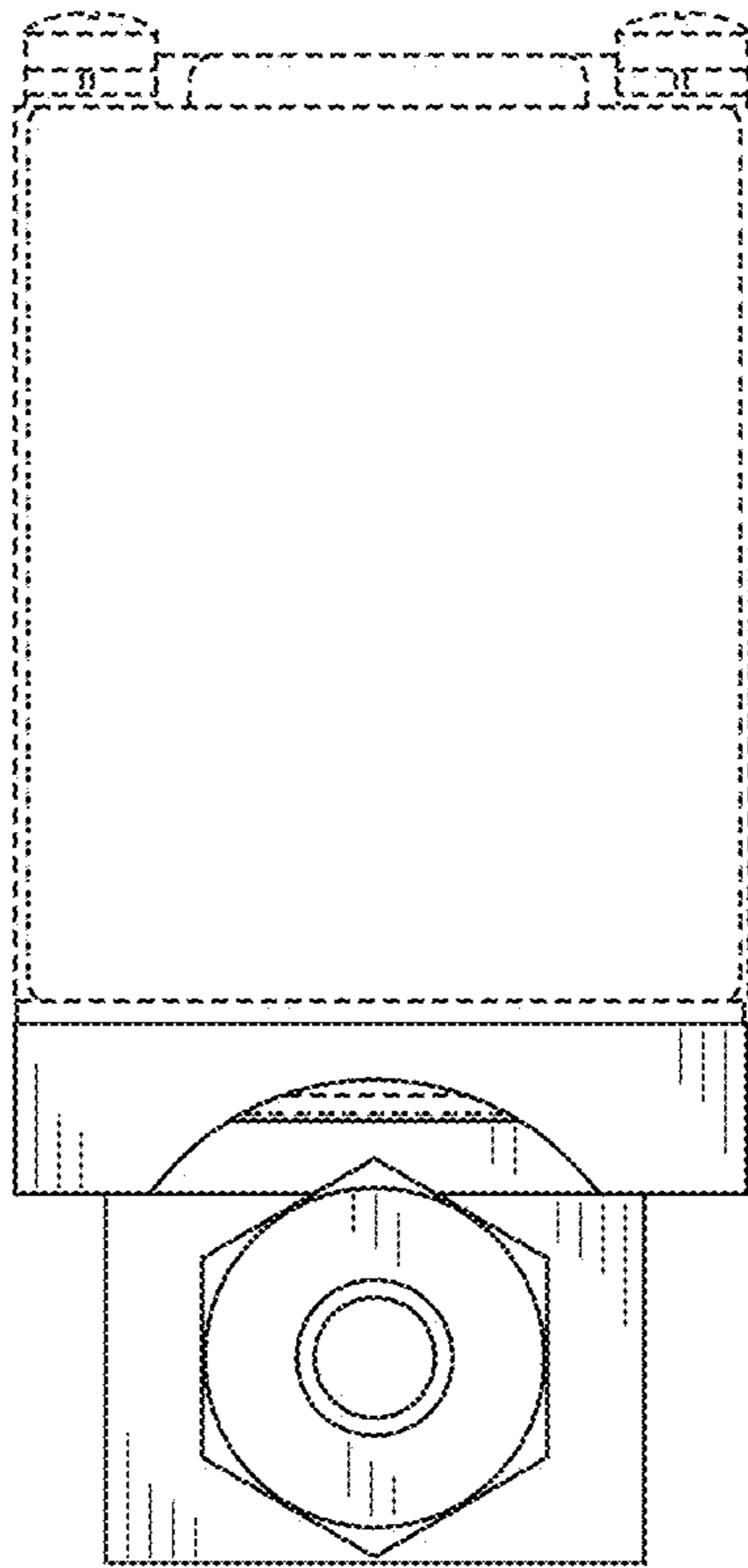


FIG. 5

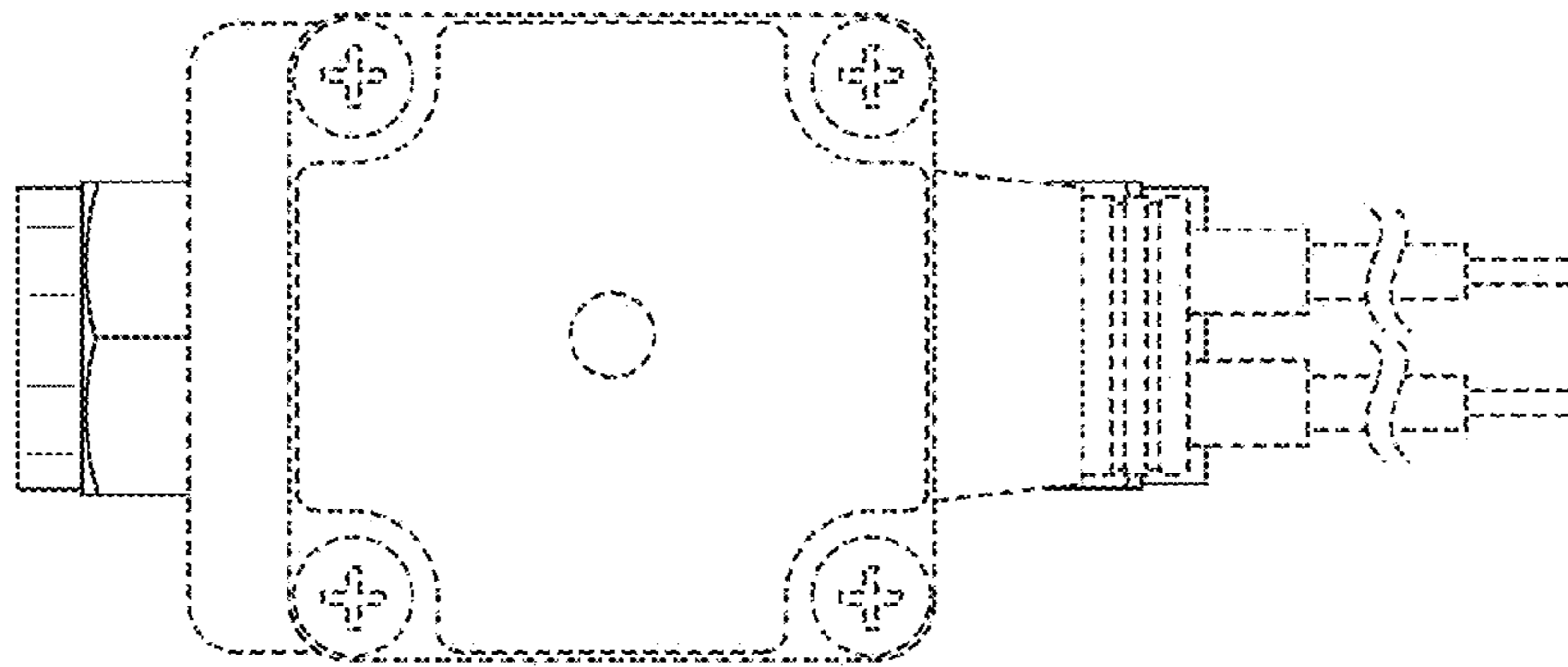


FIG. 6

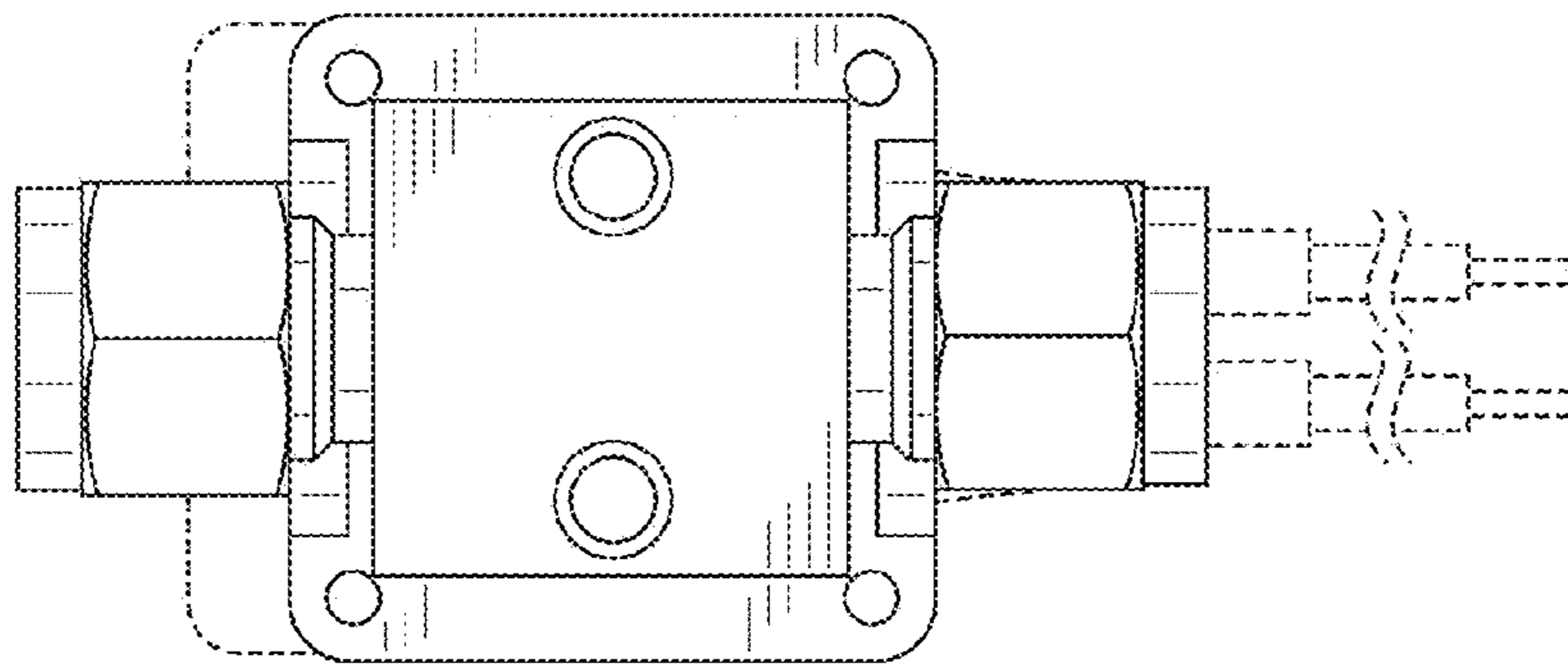


FIG. 7

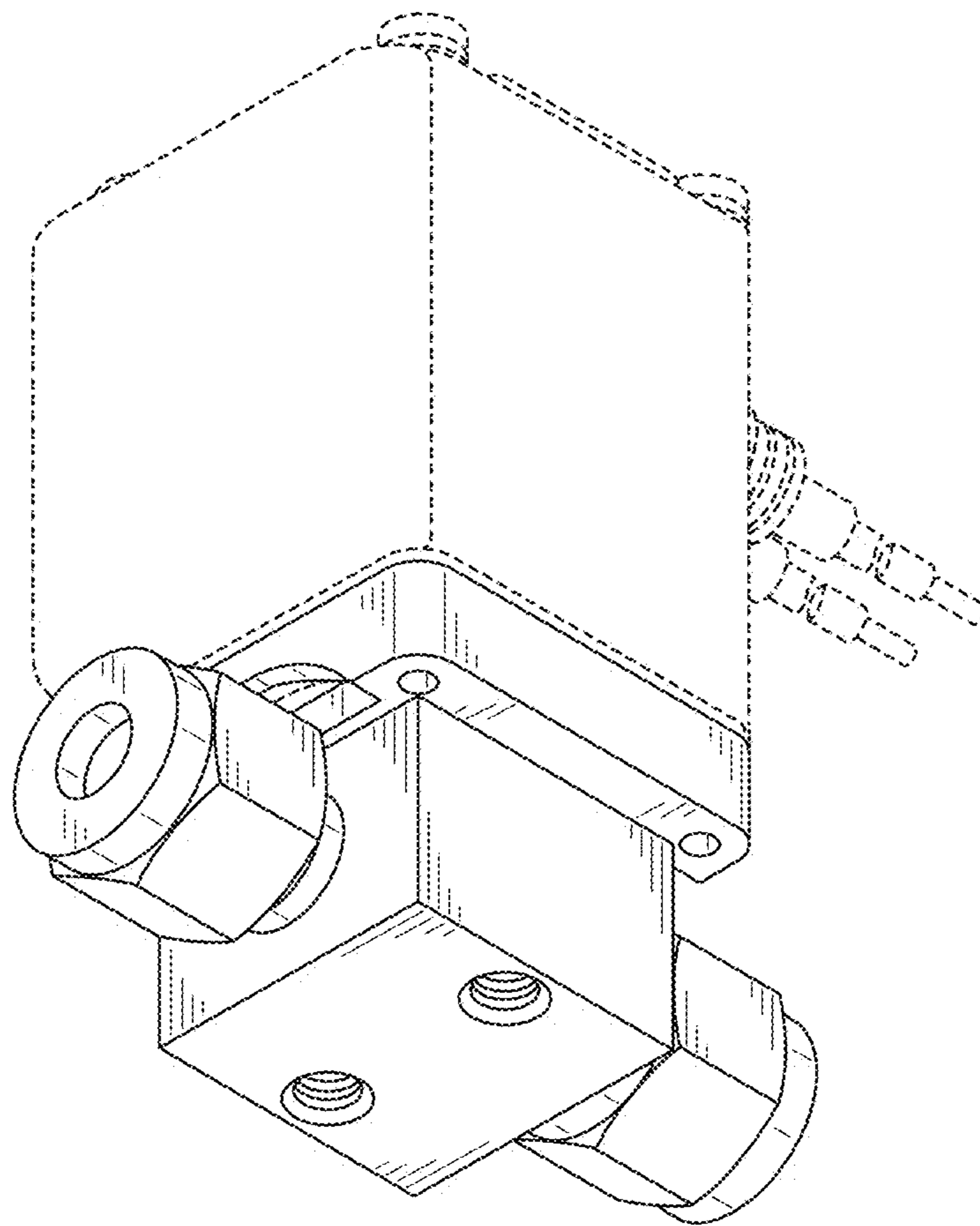


FIG. 8

