



US00D720043S

(12) **United States Design Patent**
Nishiyama et al.

(10) **Patent No.:** **US D720,043 S**

(45) **Date of Patent:** **** Dec. 23, 2014**

- (54) **ELECTROMAGNETIC VALVE**
- (71) Applicants: **Tatsuya Nishiyama**, Tsukubamirai (JP);
Koji Matsuda, Tsukubamirai (JP);
Shinji Miyazoe, Tsukubamirai (JP)
- (72) Inventors: **Tatsuya Nishiyama**, Tsukubamirai (JP);
Koji Matsuda, Tsukubamirai (JP);
Shinji Miyazoe, Tsukubamirai (JP)
- (73) Assignee: **SMC Corporation**, Chiyoda-ku, Tokyo
(JP)

- D544,578 S * 6/2007 Matsumoto et al. D23/233
- D544,581 S * 6/2007 Matsumoto et al. D23/233
- D546,420 S * 7/2007 Matsumoto et al. D23/233
- 7,316,244 B2 * 1/2008 Miyazoe et al. 137/625.64
- D563,506 S * 3/2008 Kato et al. D23/233
- D563,508 S * 3/2008 Yoshimura et al. D23/233
- D563,509 S * 3/2008 Kato D23/233
- D563,516 S * 3/2008 Mita et al. D23/233

(Continued)

Primary Examiner — Cynthia Ramirez

Assistant Examiner — Gino Colan

(74) *Attorney, Agent, or Firm* — Yokoi & Co., U.S.A., Inc.;
Toshiyuki Yokoi

- (**) Term: **14 Years**
- (21) Appl. No.: **29/476,585**
- (22) Filed: **Dec. 16, 2013**

(57) **CLAIM**
The ornamental design for an electromagnetic valve, as shown and described.

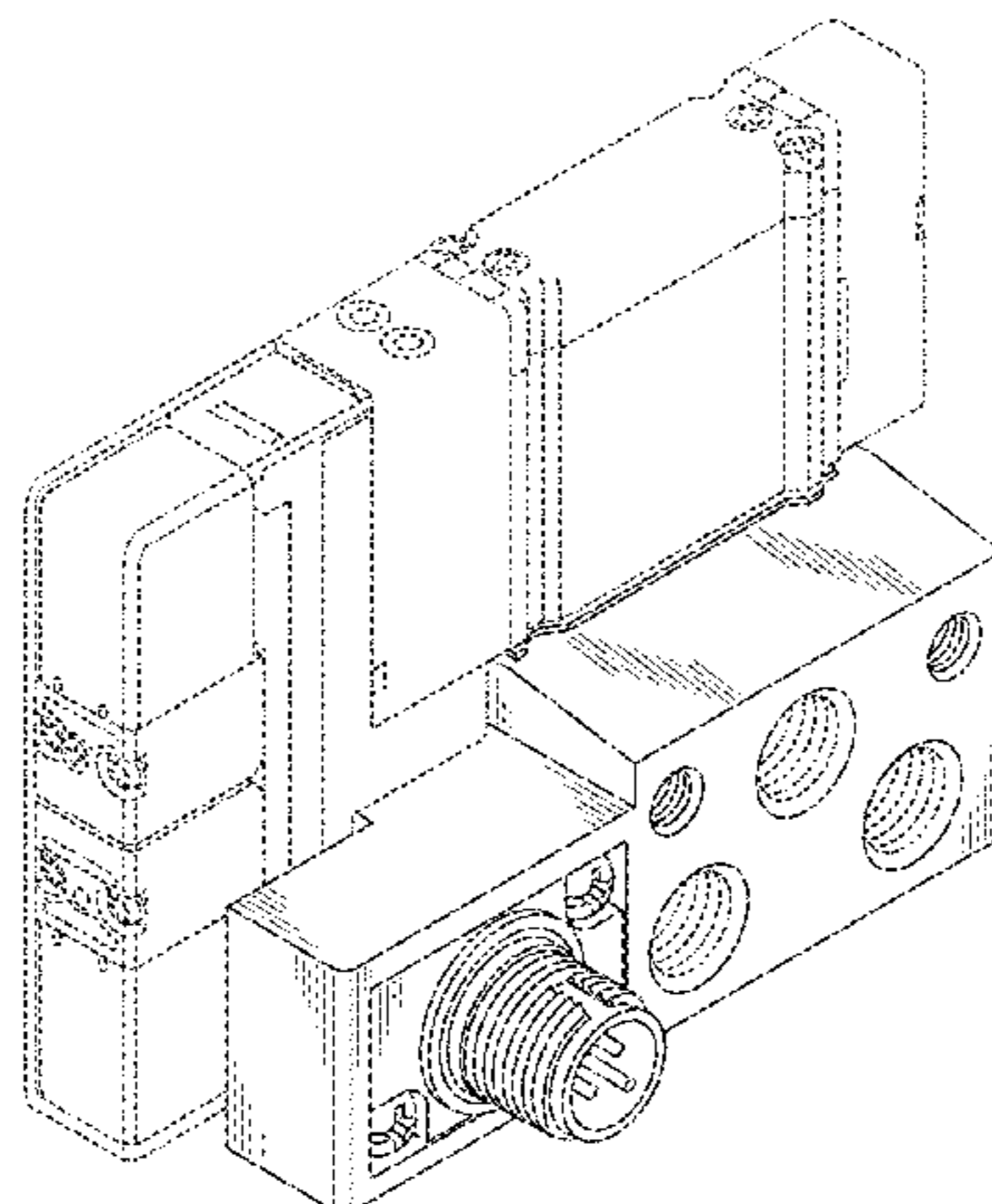
- (30) **Foreign Application Priority Data**
Aug. 28, 2013 (JP) 2013-019794
- (51) **LOC (10) Cl.** **23-01**
- (52) **U.S. Cl.**
USPC **D23/233**
- (58) **Field of Classification Search**
CPC F16K 31/0655; F16K 31/0675; F16K
31/0658; F16K 31/06; H01F 7/081
USPC D23/233, 234–237; 137/625.64, 85,
137/909; 123/406.69; 251/129.01, 129.11,
251/129.15, 149.8
See application file for complete search history.

DESCRIPTION

FIG. 1 shows a front view of an electromagnetic valve showing our new design;
FIG. 2 shows a rear view thereof;
FIG. 3 shows a right side view thereof;
FIG. 4 shows a left side view thereof;
FIG. 5 shows a top view thereof;
FIG. 6 shows a bottom view thereof;
FIG. 7 shows a top, front and left side perspective view thereof;
FIG. 8 shows a bottom, rear and right side perspective view thereof;
FIG. 9 shows a top, front and left side perspective view thereof in use with plugs and additional ports;
FIG. 10 shows a bottom, rear and right side perspective view thereof in use with plugs and additional ports;
FIG. 11 shows a top, front and left side perspective view thereof in use with plugs and additional ports; and,
FIG. 12 shows a bottom, rear and right side perspective view thereof in use with plugs and additional ports.
The portions of the design shown in broken lines in FIGS. 1-12 are for the purpose of illustrating the environment only and form no part of the claimed design.

- (56) **References Cited**
U.S. PATENT DOCUMENTS
D415,256 S * 10/1999 Hayashi et al. D23/233
D416,309 S * 11/1999 Hayashi et al. D23/233
D416,980 S * 11/1999 Sato et al. D23/233
D419,216 S * 1/2000 Sato et al. D23/233
D443,030 S * 5/2001 Kaneko et al. D23/233
D459,441 S * 6/2002 Hayashi et al. D23/233
D460,148 S * 7/2002 Hayashi et al. D23/233
D533,254 S * 12/2006 Miyazoe et al. D23/233
D533,255 S * 12/2006 Miyazoe et al. D23/233

1 Claim, 9 Drawing Sheets



(56)

References Cited

U.S. PATENT DOCUMENTS

D563,517 S *	3/2008	Miyazoe et al.	D23/233	D599,887 S *	9/2009	Matsumoto	D23/233
D563,518 S *	3/2008	Miyazoe et al.	D23/233	D599,888 S *	9/2009	Matsumoto	D23/233
D563,519 S *	3/2008	Miyazoe et al.	D23/233	D607,539 S *	1/2010	Matsumoto	D23/233
D563,520 S *	3/2008	Miyazoe et al.	D23/233	D607,540 S *	1/2010	Matsumoto	D23/233
D563,521 S *	3/2008	Miyazoe et al.	D23/233	D621,477 S *	8/2010	Miyazoe et al.	D23/233
D563,522 S *	3/2008	Miyazoe et al.	D23/233	D621,911 S *	8/2010	Miyazoe et al.	D23/233
D563,523 S *	3/2008	Matsumoto et al.	D23/233	D623,270 S *	9/2010	Fukano et al.	D23/233
D564,072 S *	3/2008	Yoshimura et al.	D23/233	D636,460 S *	4/2011	Hayashi	D23/233
D564,627 S *	3/2008	Miyazoe et al.	D23/233	D639,393 S *	6/2011	Hayashi	D23/233
D564,628 S *	3/2008	Miyazoe et al.	D23/233	D653,307 S *	1/2012	Senba	D23/233
D564,629 S *	3/2008	Miyazoe et al.	D23/233	D653,308 S *	1/2012	Senba	D23/233
D564,630 S *	3/2008	Miyazoe et al.	D23/233	D665,874 S *	8/2012	Senba	D23/233
D564,631 S *	3/2008	Miyazoe et al.	D23/233	D668,321 S *	10/2012	Senba	D23/233
D572,344 S *	7/2008	Kato	D23/233	D693,431 S *	11/2013	Tamura et al.	D23/233
D574,466 S *	8/2008	Kato	D23/233	D694,363 S *	11/2013	Narita	D23/233
D584,797 S *	1/2009	Matsumoto et al.	D23/233	D694,364 S *	11/2013	Narita	D23/233
D591,829 S *	5/2009	Miyazoe et al.	D23/233	D694,365 S *	11/2013	Narita	D23/233
D594,929 S *	6/2009	Takakuwa et al.	D23/233	D694,858 S *	12/2013	Narita	D23/233
D594,930 S *	6/2009	Takakuwa et al.	D23/233	D698,418 S *	1/2014	Narita	D23/233
				D698,419 S *	1/2014	Narita	D23/233
				D698,899 S *	2/2014	Narita	D23/233
				D698,900 S *	2/2014	Narita	D23/233

* cited by examiner

FIG. 1

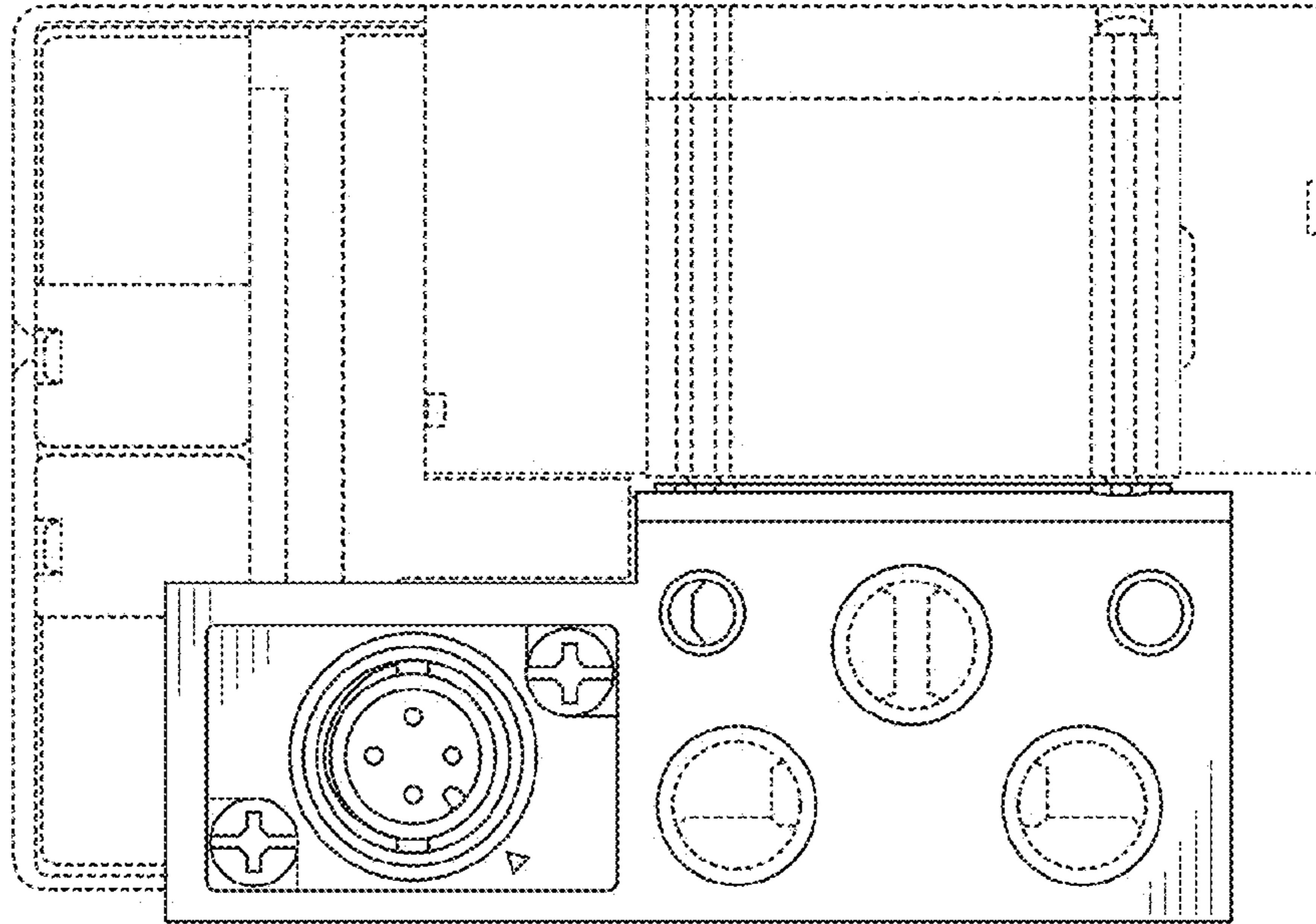


FIG. 2

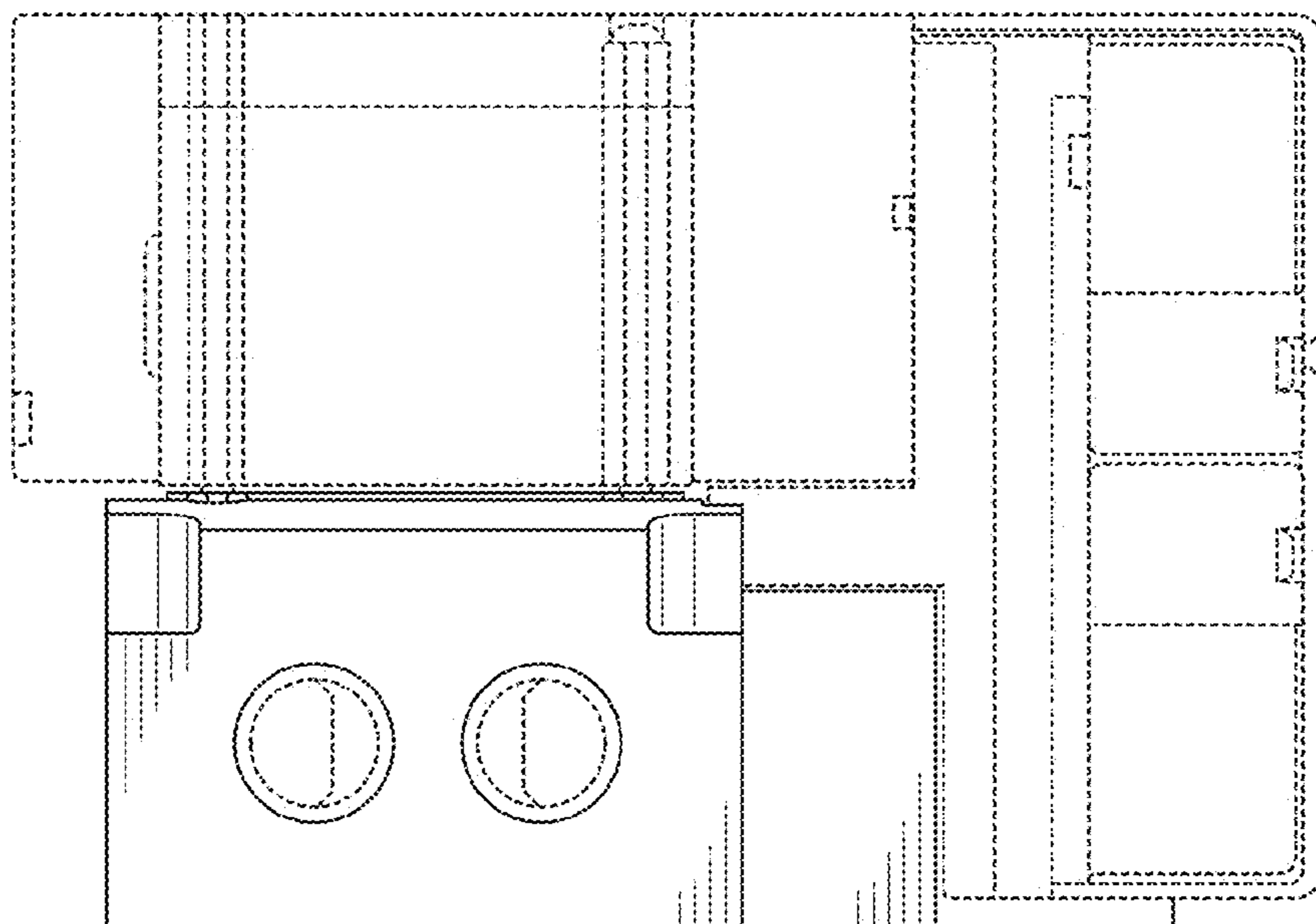


FIG. 3

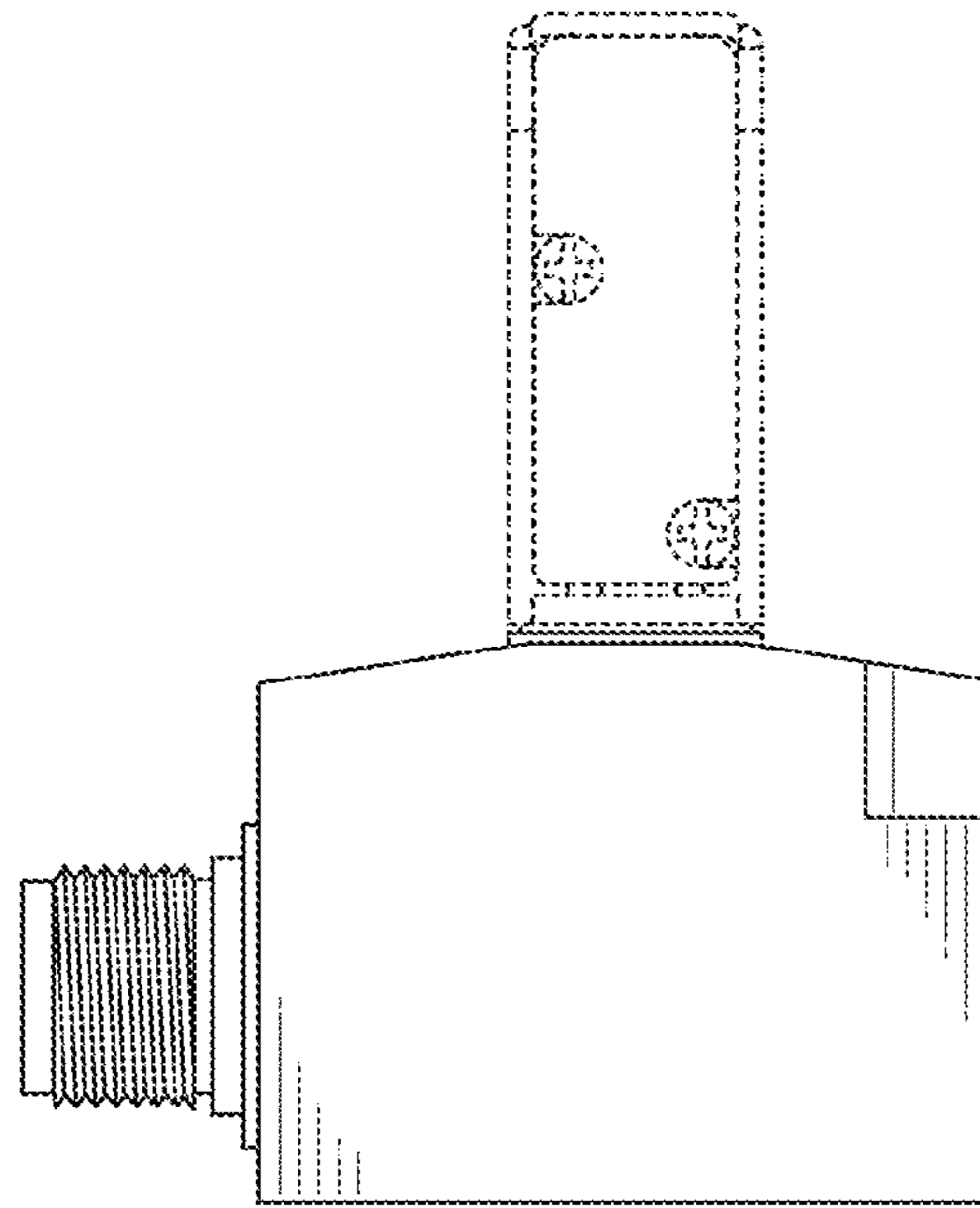


FIG. 4

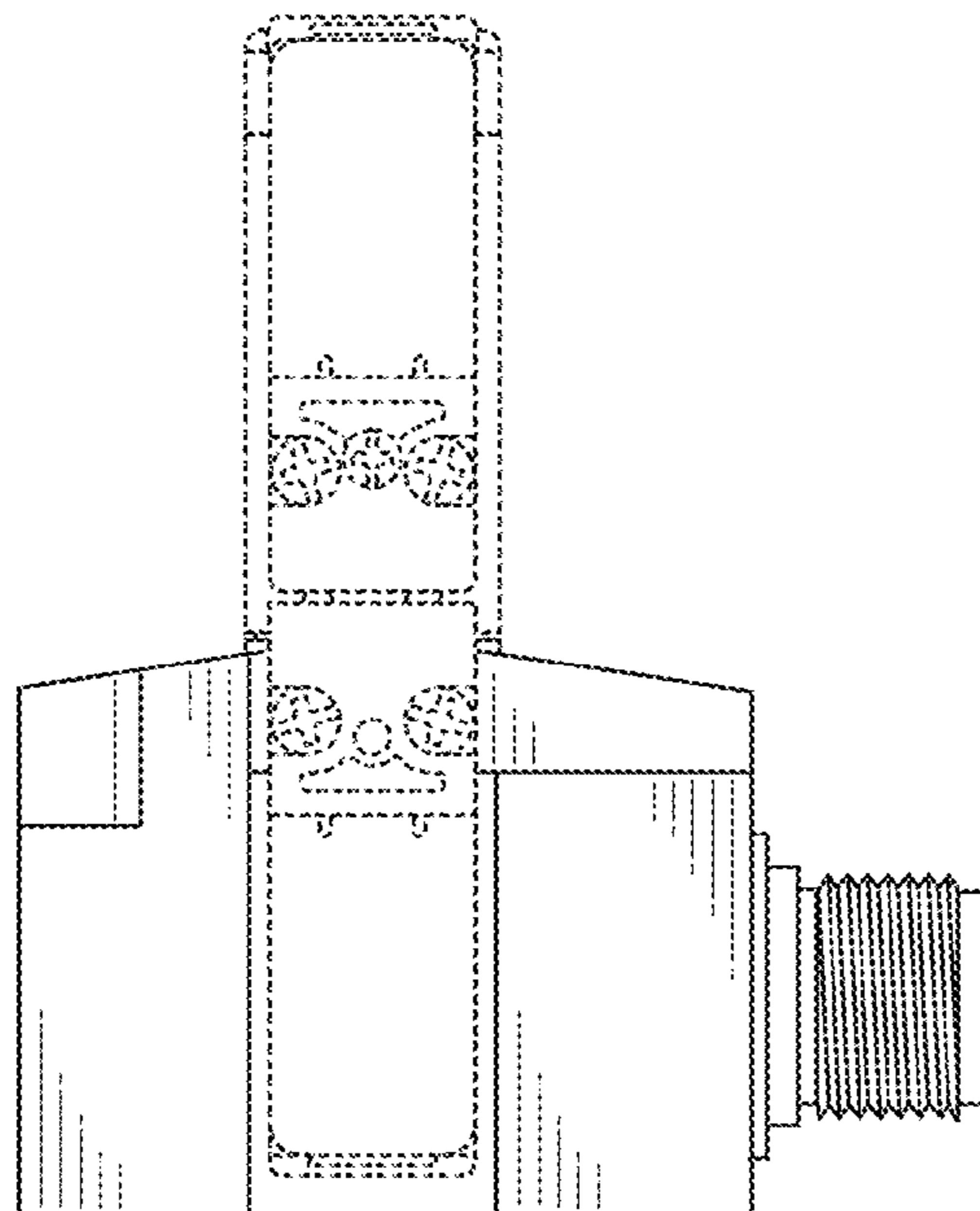


FIG. 5

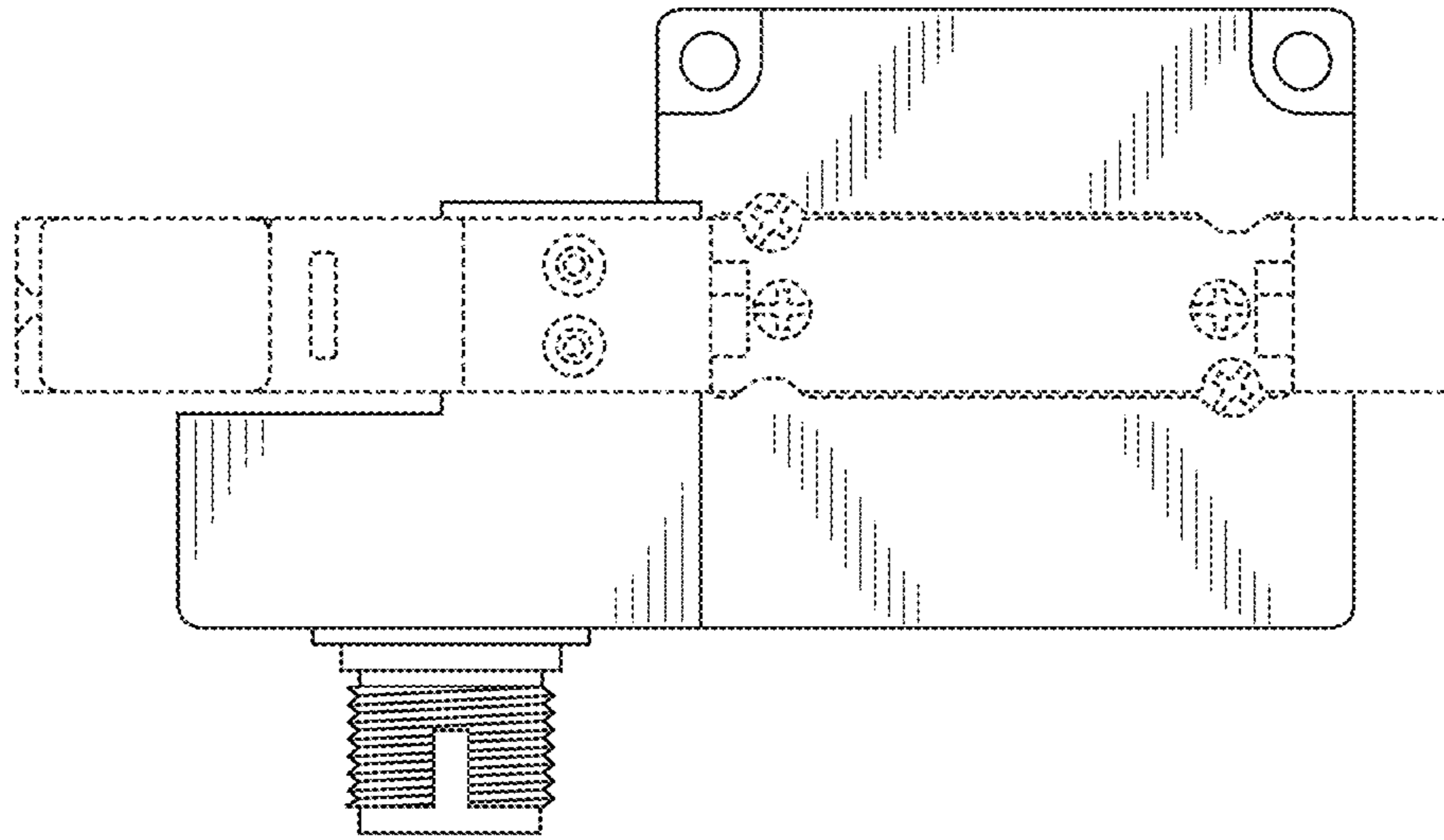


FIG. 6

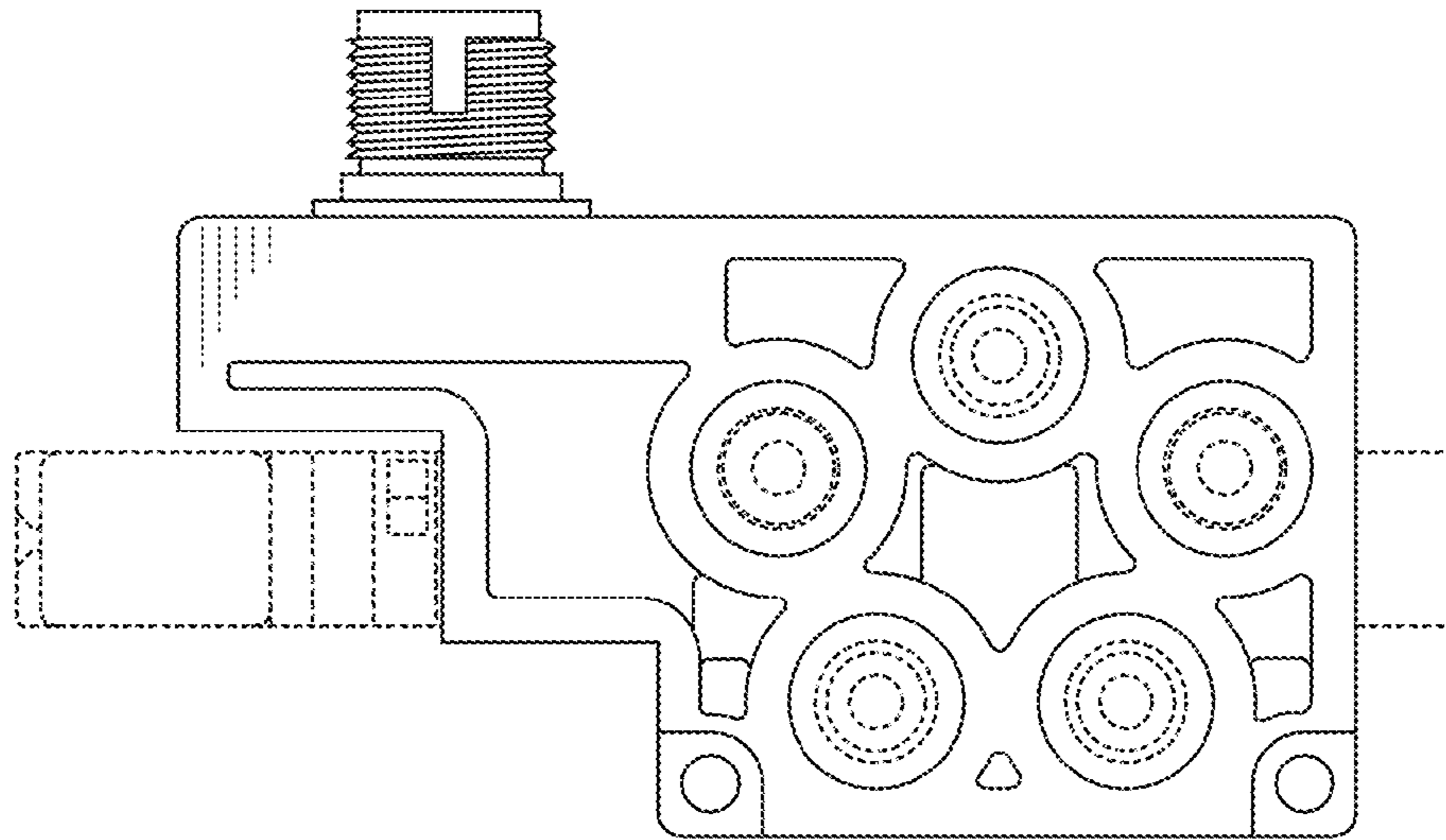


FIG. 7

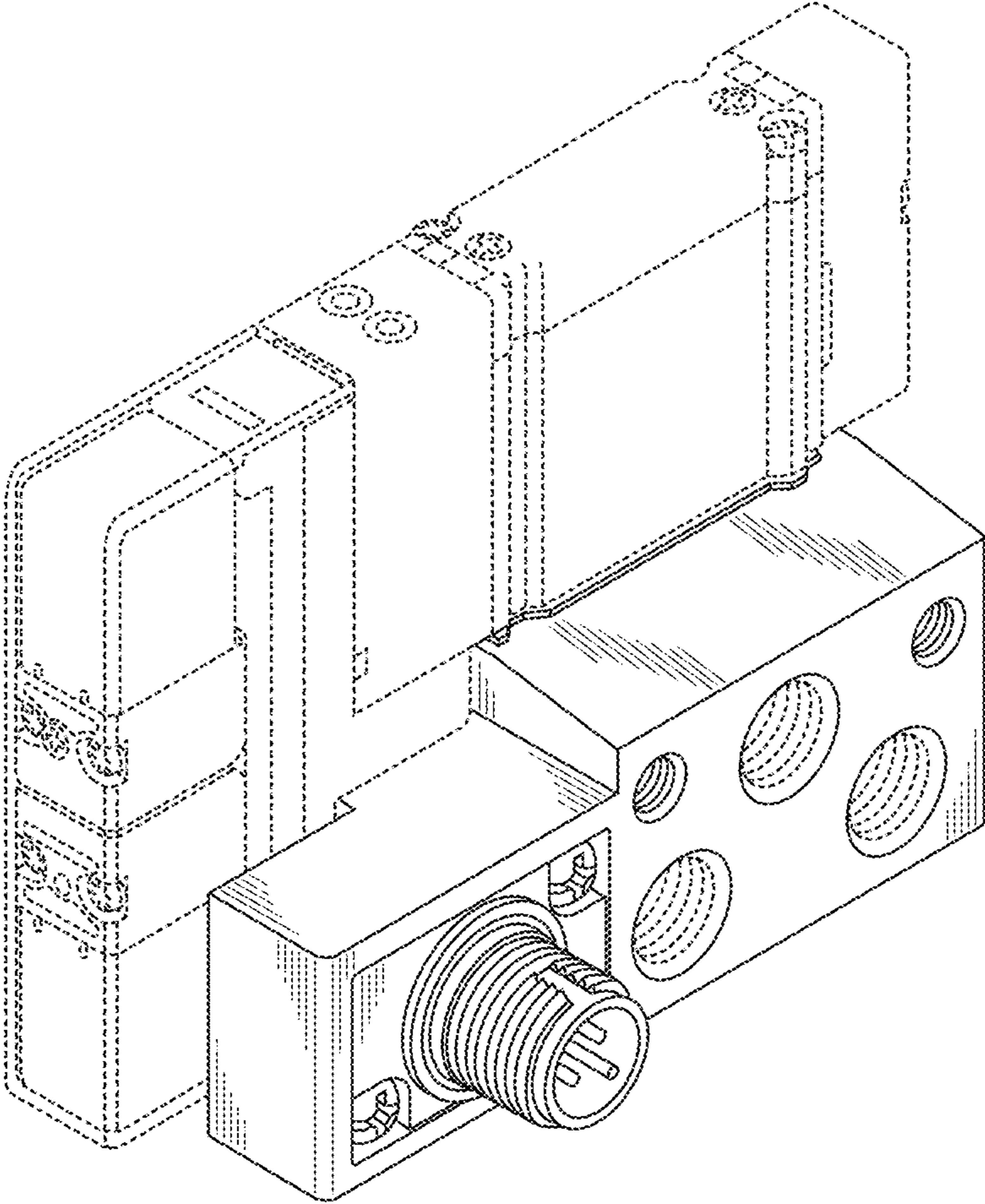


FIG. 8

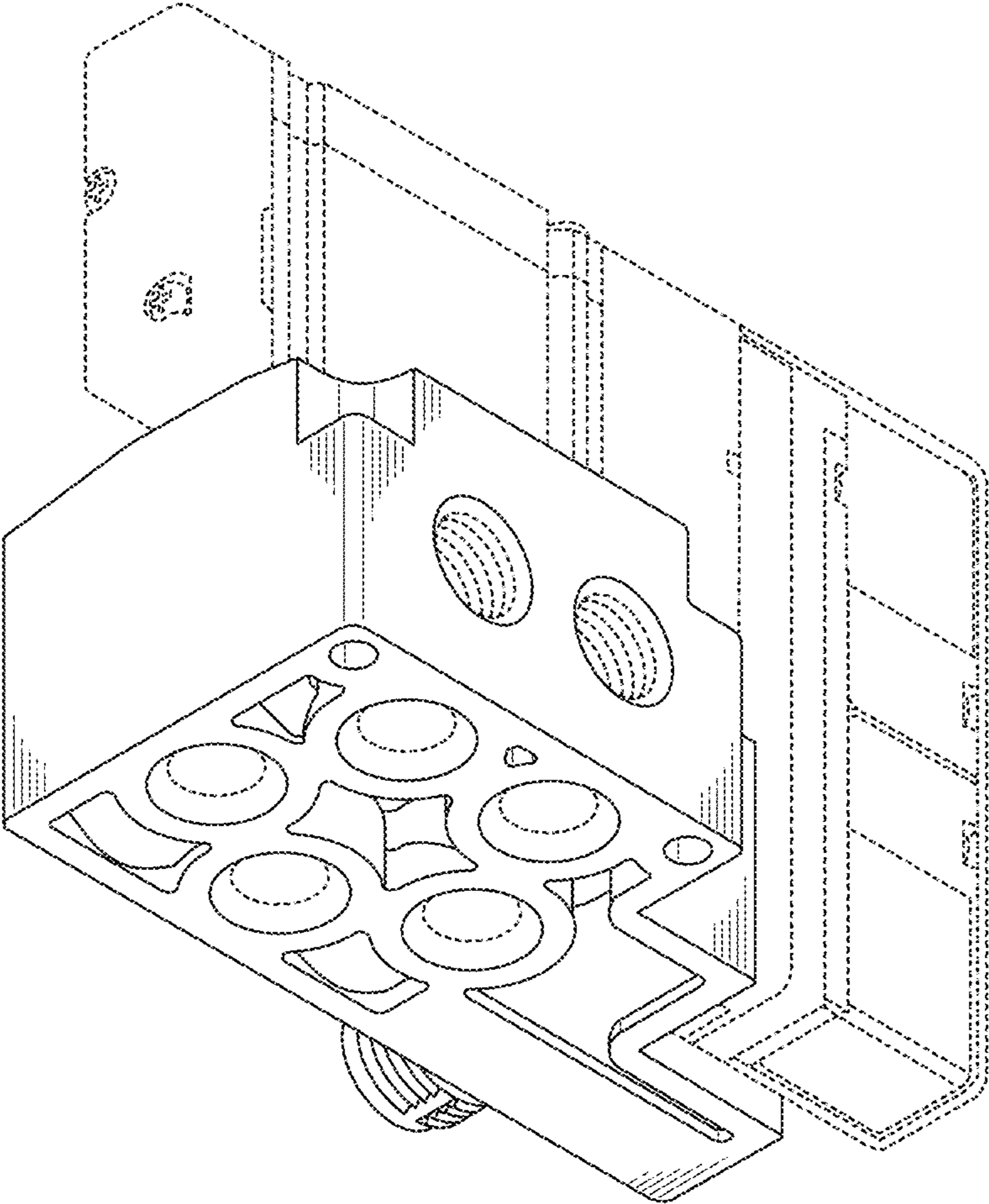


FIG. 9

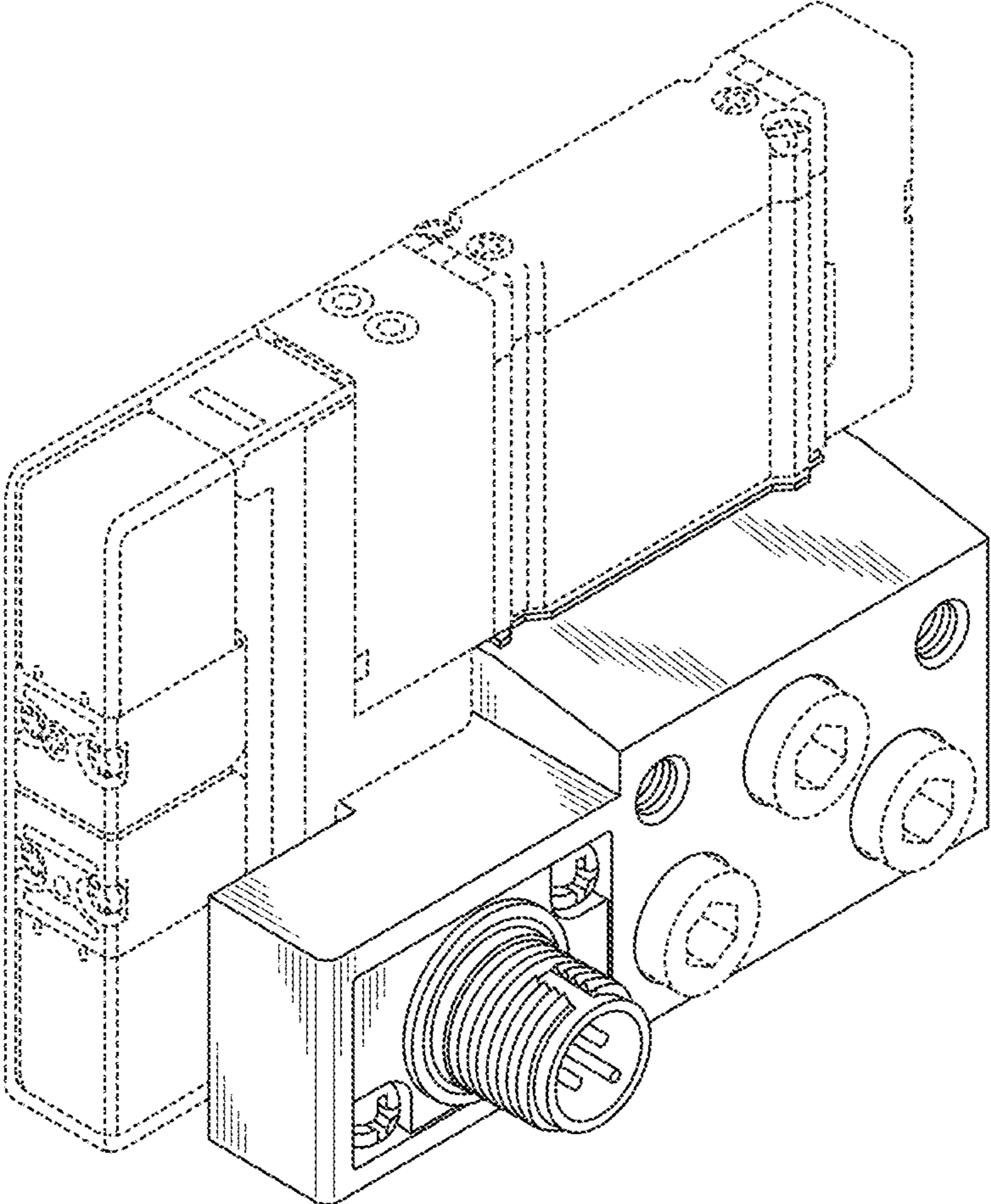


FIG. 10

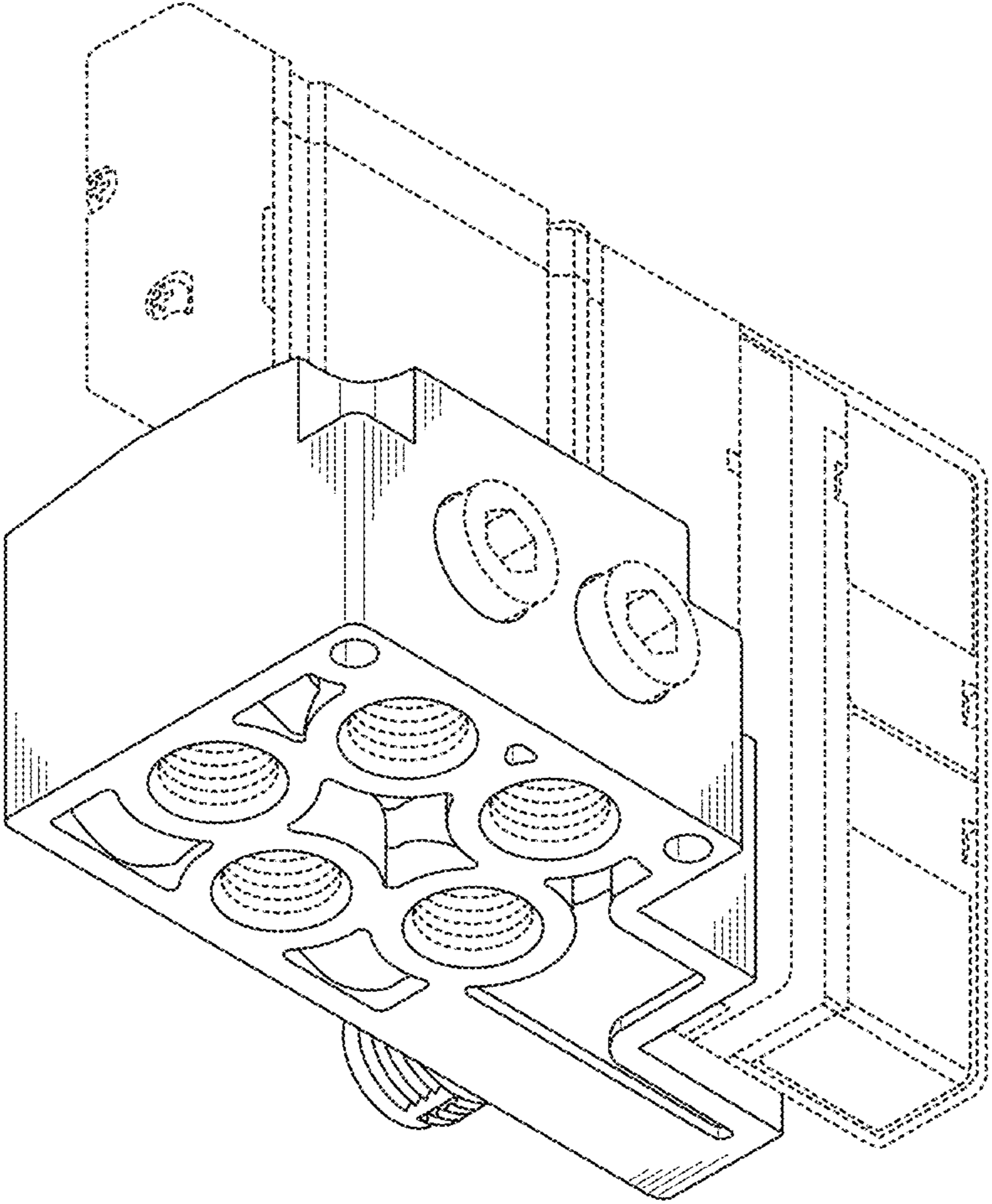


FIG. 11

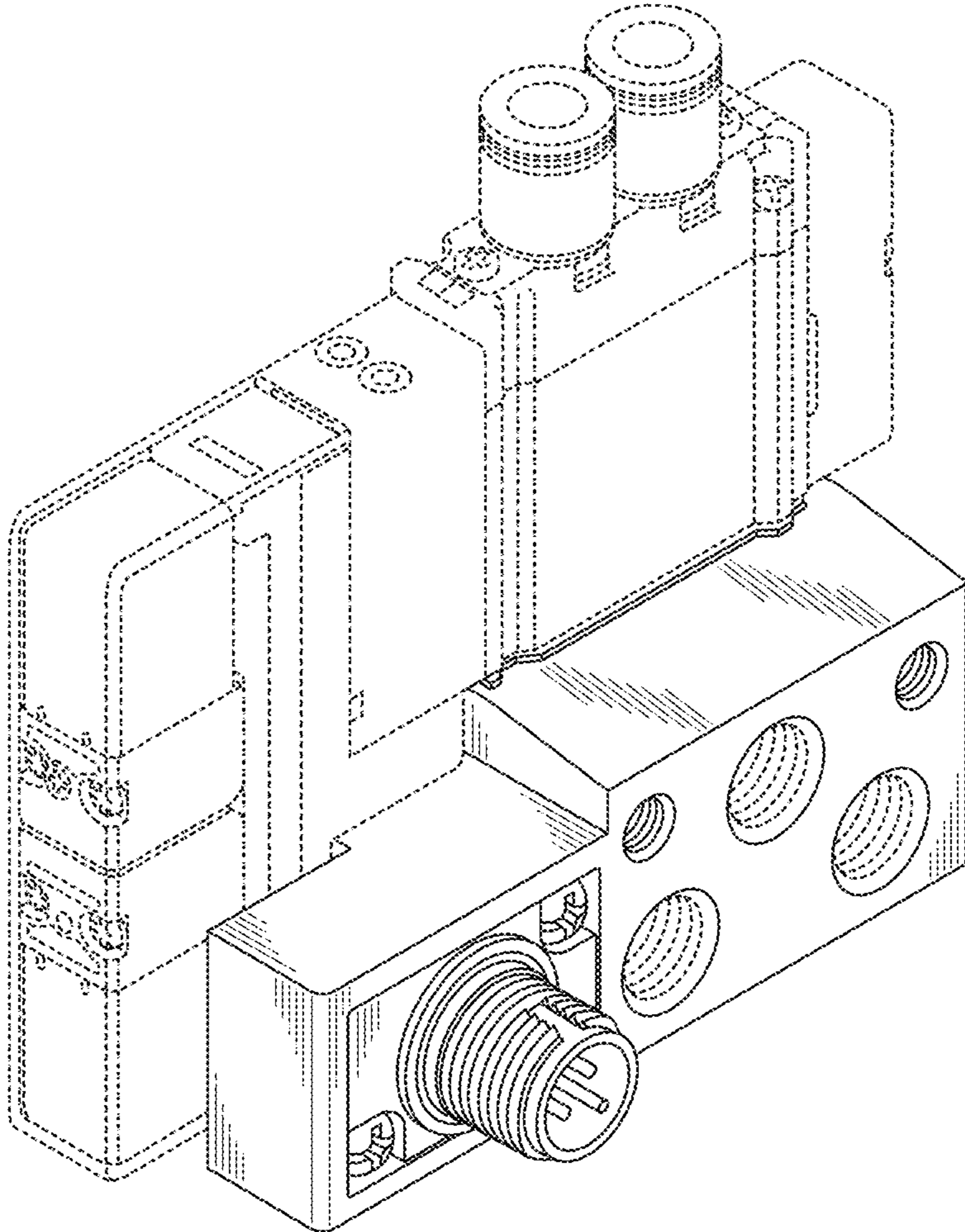


FIG. 12

