



US00D720041S

(12) **United States Design Patent**
Robinson

(10) **Patent No.:** **US D720,041 S**

(45) **Date of Patent:** **** Dec. 23, 2014**

(54) **SPRAY DEVICE**

(71) Applicant: **James Gilbert Robinson**, Guildford
(GB)

(72) Inventor: **James Gilbert Robinson**, Guildford
(GB)

(73) Assignee: **Earlex Ltd.**, Guildford, Surrey (GB)

(**) Term: **14 Years**

(21) Appl. No.: **29/480,658**

(22) Filed: **Jan. 28, 2014**

(30) **Foreign Application Priority Data**

Sep. 12, 2013 (GB) 2307868-0002

(51) **LOC (10) Cl.** **23-01**

(52) **U.S. Cl.**
USPC **D23/226**

(58) **Field of Classification Search**
USPC D23/213, 223, 225, 226; 239/337,
239/525-526, 690-1, DIG. 14; 361/227,
361/228

See application file for complete search history.

(56) **References Cited**

U.S. PATENT DOCUMENTS

3,042,310 A * 7/1962 Franke et al. 239/142
D305,453 S * 1/1990 Morgan D23/226

5,050,804 A * 9/1991 Svendsen et al. 239/296
D341,186 S * 11/1993 Albers D23/226
6,010,082 A * 1/2000 Peterson 239/346
D604,393 S * 11/2009 Johnson et al. D23/225
D604,394 S * 11/2009 Wang D23/226
D616,527 S * 5/2010 Anderson et al. D23/226
D641,067 S * 7/2011 Wang D23/226
D644,716 S * 9/2011 Gehrung D23/226
D689,593 S * 9/2013 Schmon et al. D23/226
D692,531 S * 10/2013 Li et al. D23/226
D697,583 S * 1/2014 Schmon et al. D23/225
D703,293 S * 4/2014 Price D23/226

* cited by examiner

Primary Examiner — Robin V Webster

(74) *Attorney, Agent, or Firm* — Lambert & Associates;
Gary E. Lambert; David J. Connaughton, Jr.

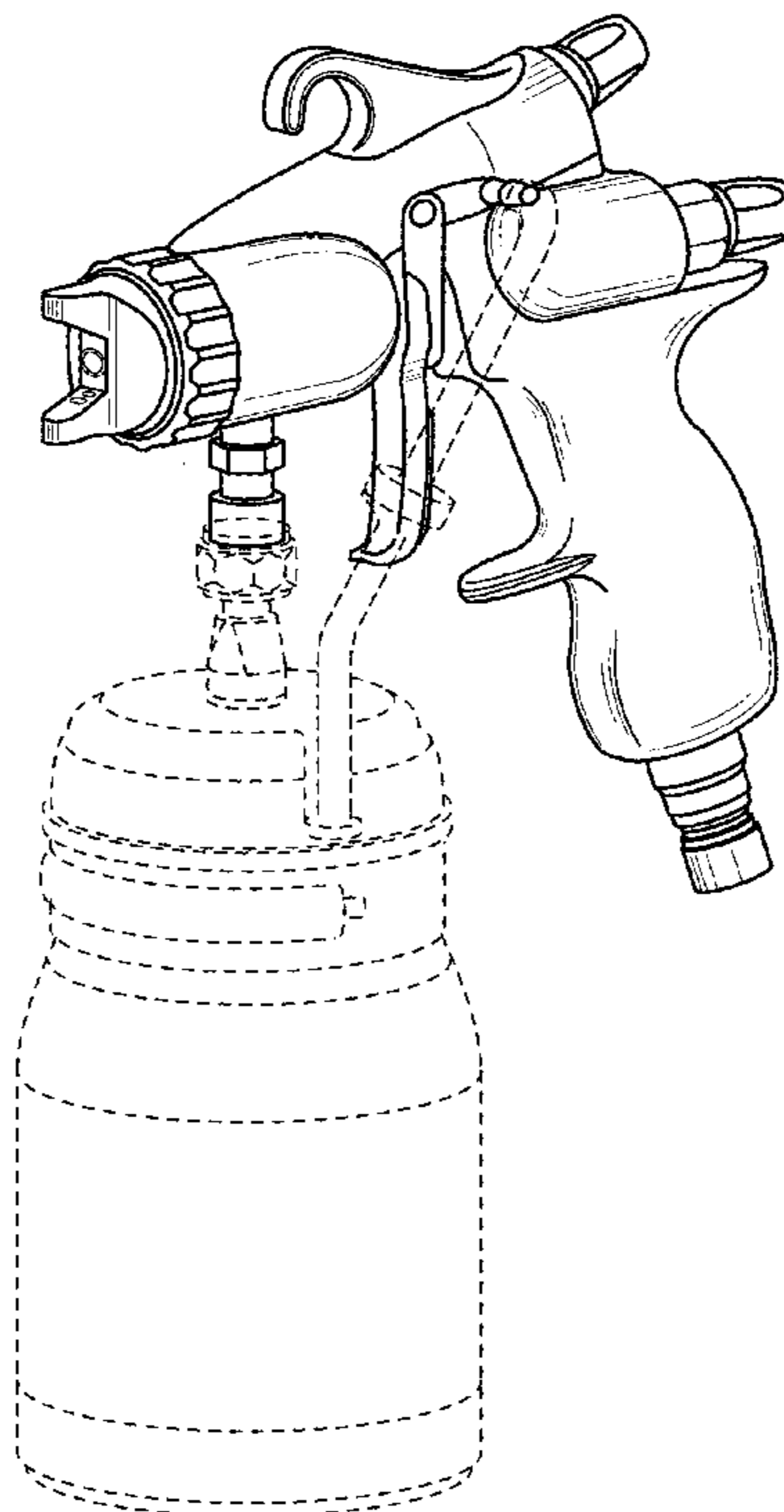
(57) **CLAIM**

I claim the ornamental design for a spray device, as shown and described.

DESCRIPTION

FIG. 1 is a front view of the spray device which embodies my design;
FIG. 2 is a back view of the spray device;
FIG. 3 is a right side view of the spray device;
FIG. 4 is a left side view of the spray device;
FIG. 5 is a top view of the spray device;
FIG. 6 is a bottom view of the spray device; and,
FIG. 7 is a perspective view of the spray device.
The portions of the drawings shown in broken lines form no part of the claimed design.

1 Claim, 6 Drawing Sheets



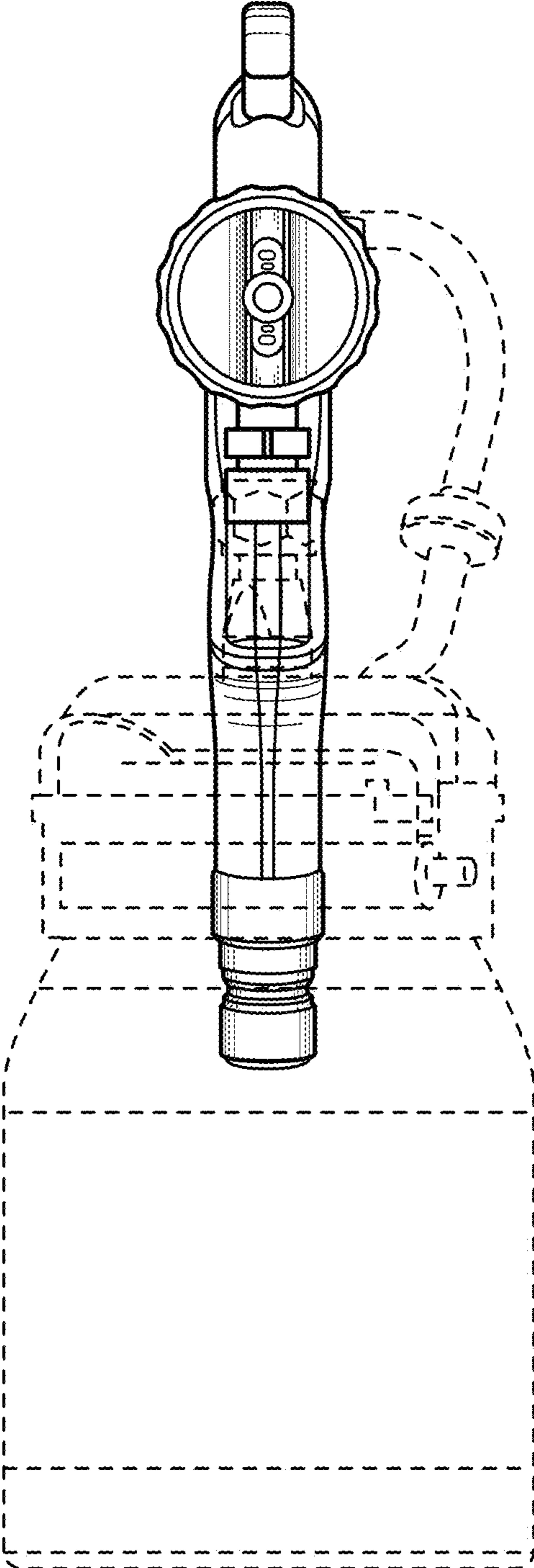


Fig. 1

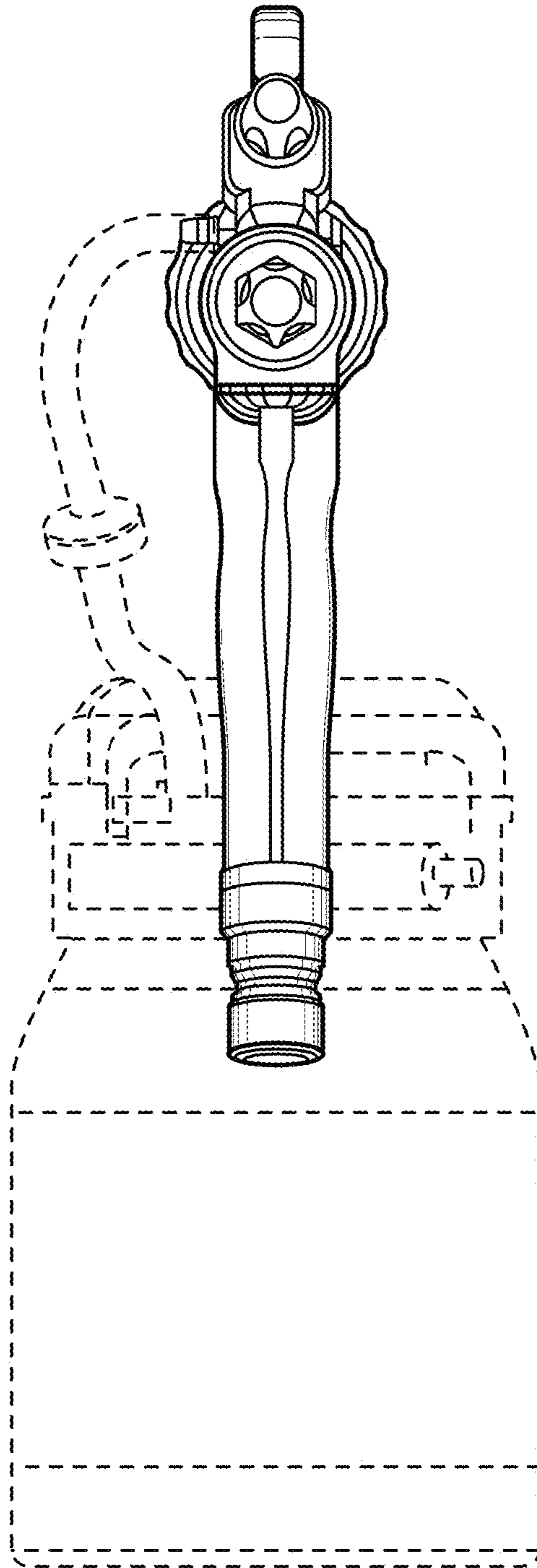


Fig. 2

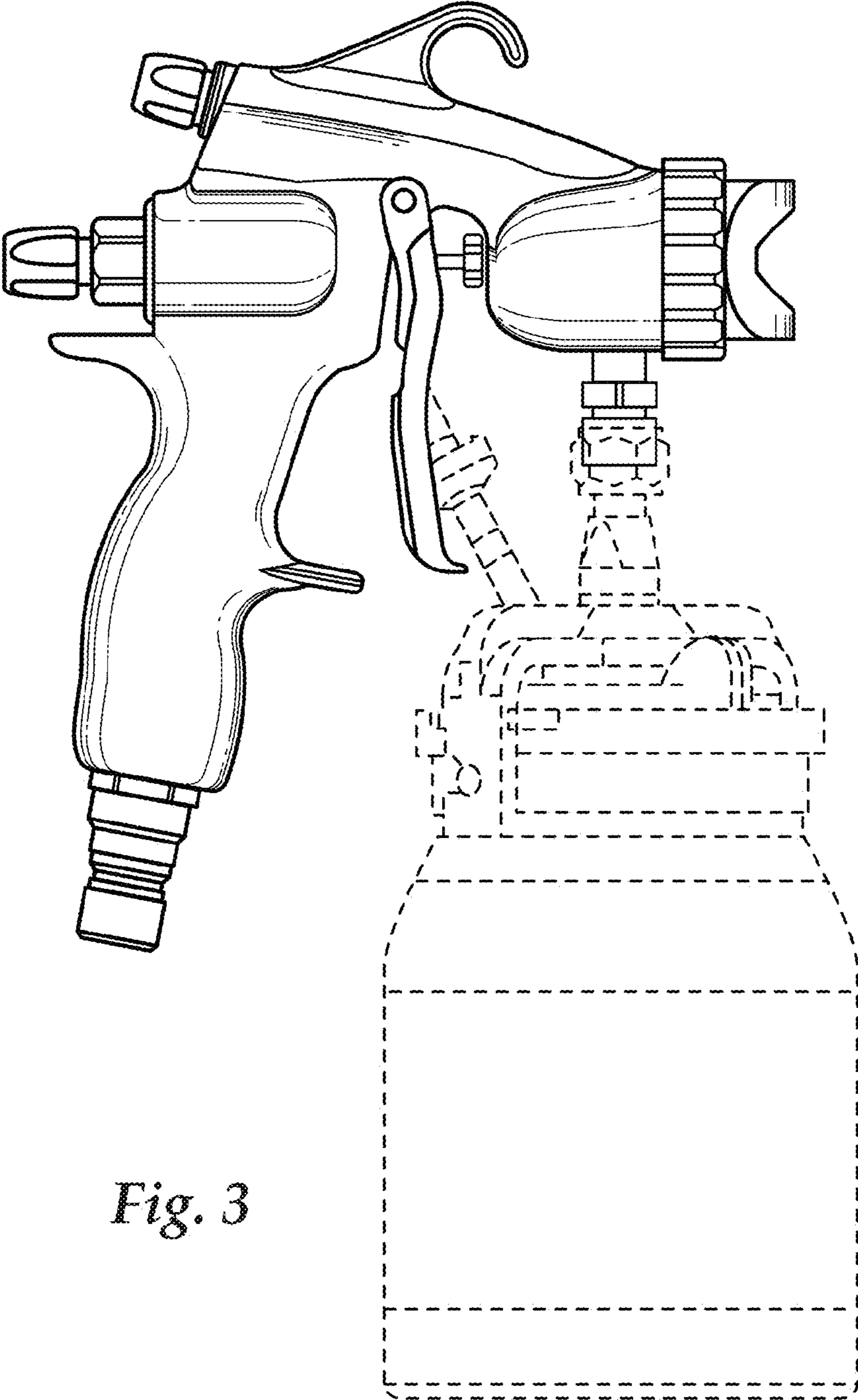


Fig. 3

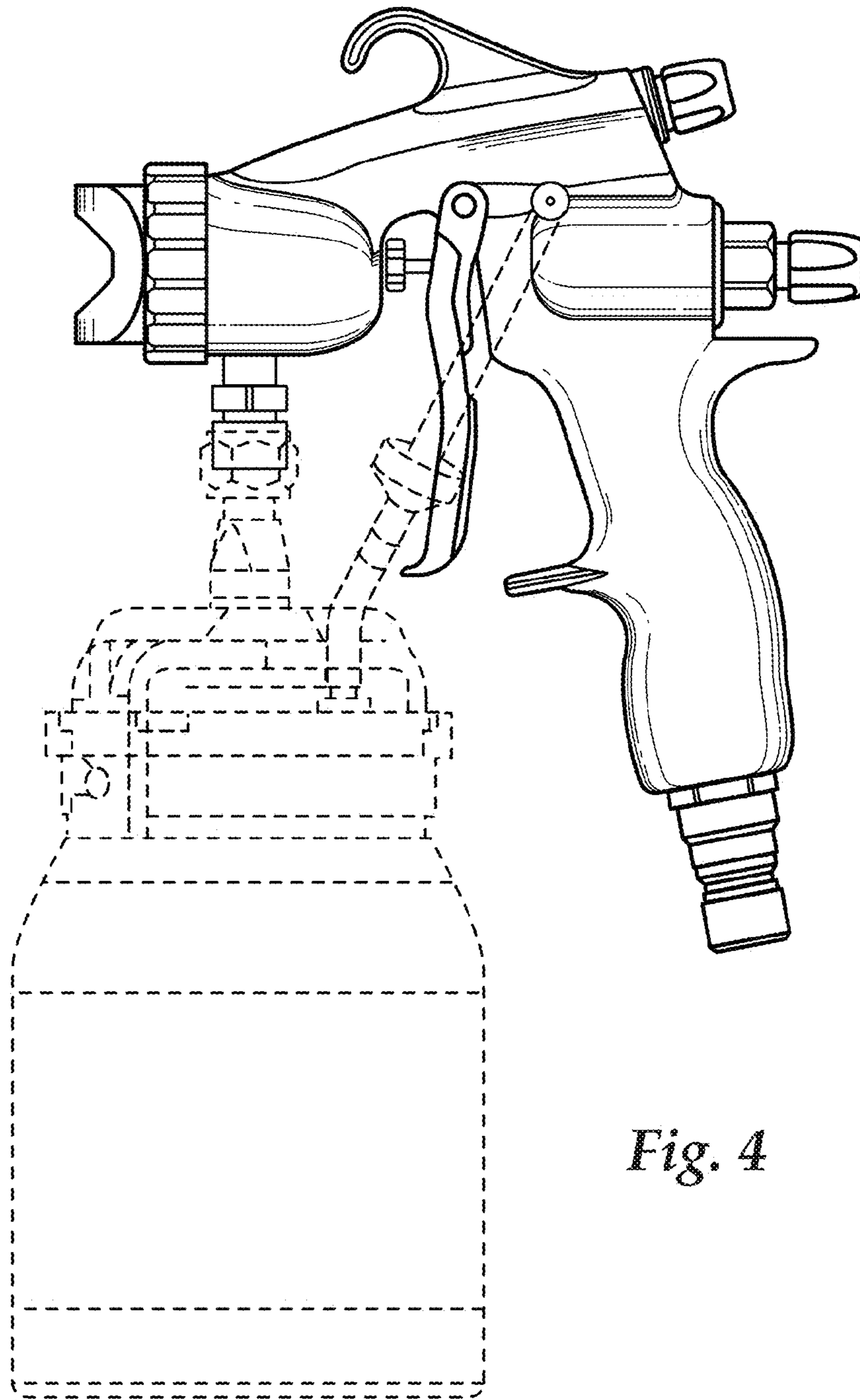


Fig. 4

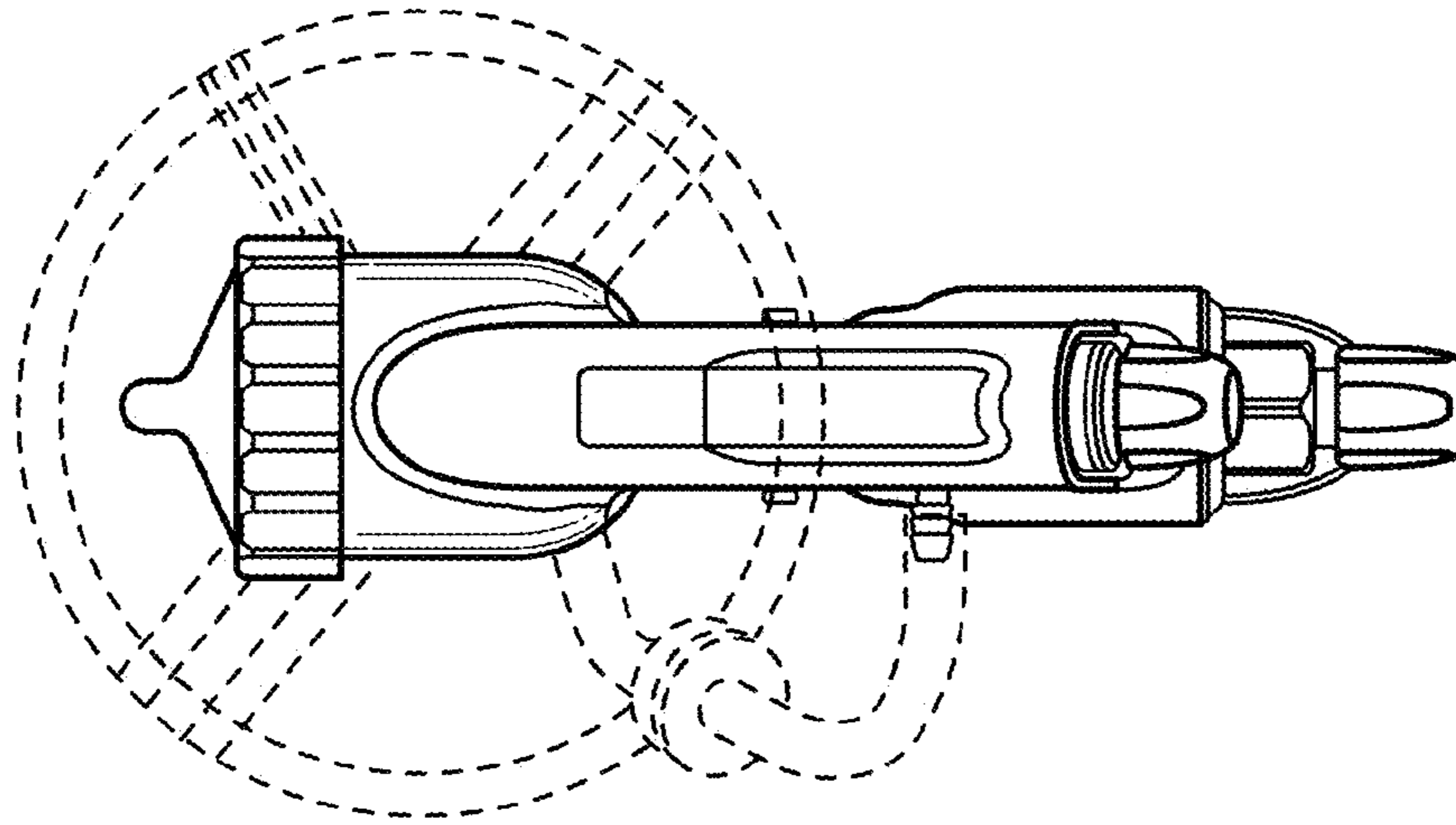


Fig. 5

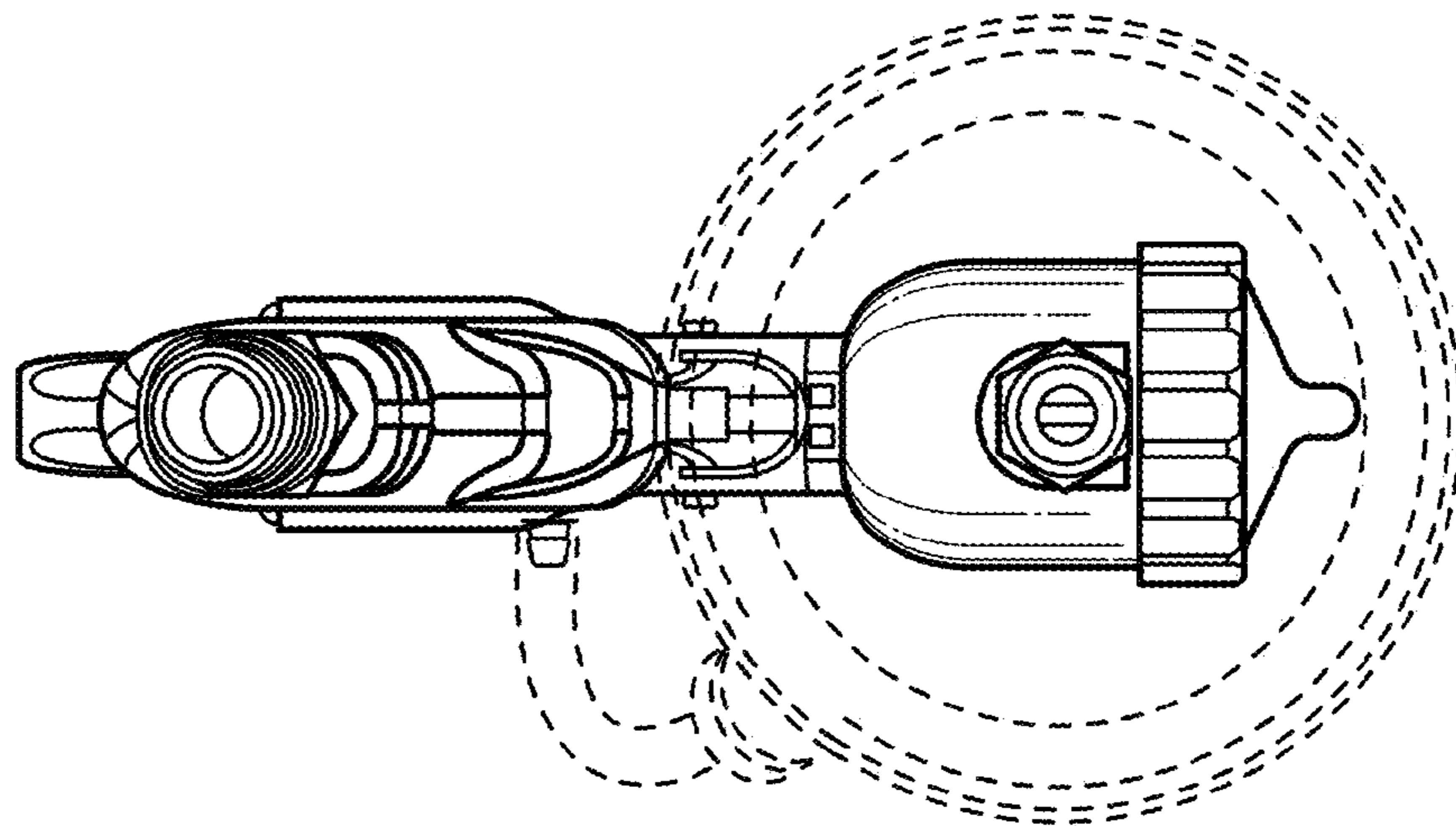


Fig. 6

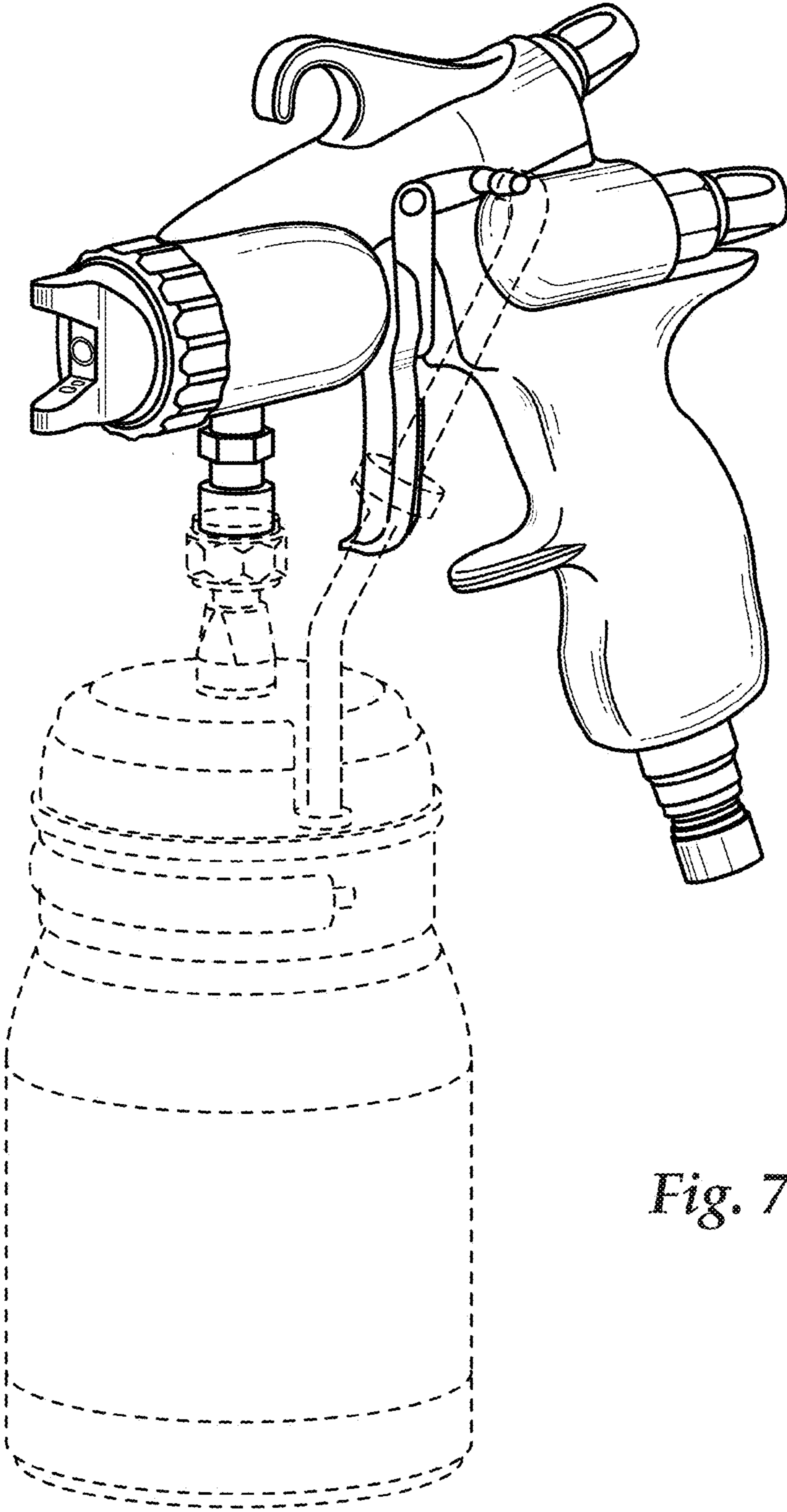


Fig. 7