



US00D720040S

(12) **United States Design Patent**
Robinson

(10) **Patent No.:** **US D720,040 S**
(45) **Date of Patent:** **** Dec. 23, 2014**

(54) **SPRAY DEVICE**

(71) Applicant: **James Gilbert Robinson**, Guildford (GB)

(72) Inventor: **James Gilbert Robinson**, Guildford (GB)

(73) Assignee: **Earlex Ltd.**, Guildford, Surrey (GB)

(**) Term: **14 Years**

(21) Appl. No.: **29/480,652**

(22) Filed: **Jan. 28, 2014**

(30) **Foreign Application Priority Data**

Sep. 12, 2013 (GB) 2307868-0001

(51) **LOC (10) Cl.** **23-01**

(52) **U.S. Cl.**
USPC **D23/226**

(58) **Field of Classification Search**
USPC D23/213, 223, 225, 226; 239/337,
239/525-526, 690-1, DIG. 14; 361/227,
361/228

See application file for complete search history.

(56) **References Cited**

U.S. PATENT DOCUMENTS

6,820,824 B1 * 11/2004 Joseph et al. 239/346
6,945,429 B2 * 9/2005 Gosis et al. 222/105

D523,111 S * 6/2006 Huang D23/226
7,175,110 B2 * 2/2007 Vicentini 239/526
D551,321 S * 9/2007 Huang D23/226
D583,013 S * 12/2008 Wang D23/226
D616,527 S * 5/2010 Anderson et al. D23/226
7,815,130 B2 * 10/2010 Joseph et al. 239/526
D641,067 S * 7/2011 Wang D23/226
D644,716 S * 9/2011 Gehrung D23/226
8,066,205 B2 * 11/2011 Bass et al. 239/526
D689,593 S * 9/2013 Schmon et al. D23/226
D692,532 S * 10/2013 Li et al. D23/226
D698,008 S * 1/2014 Schmon et al. D23/225

* cited by examiner

Primary Examiner — Robin V Webster

(74) *Attorney, Agent, or Firm* — Lambert & Associates;
Gary E. Lambert; David J. Connaughton, Jr.

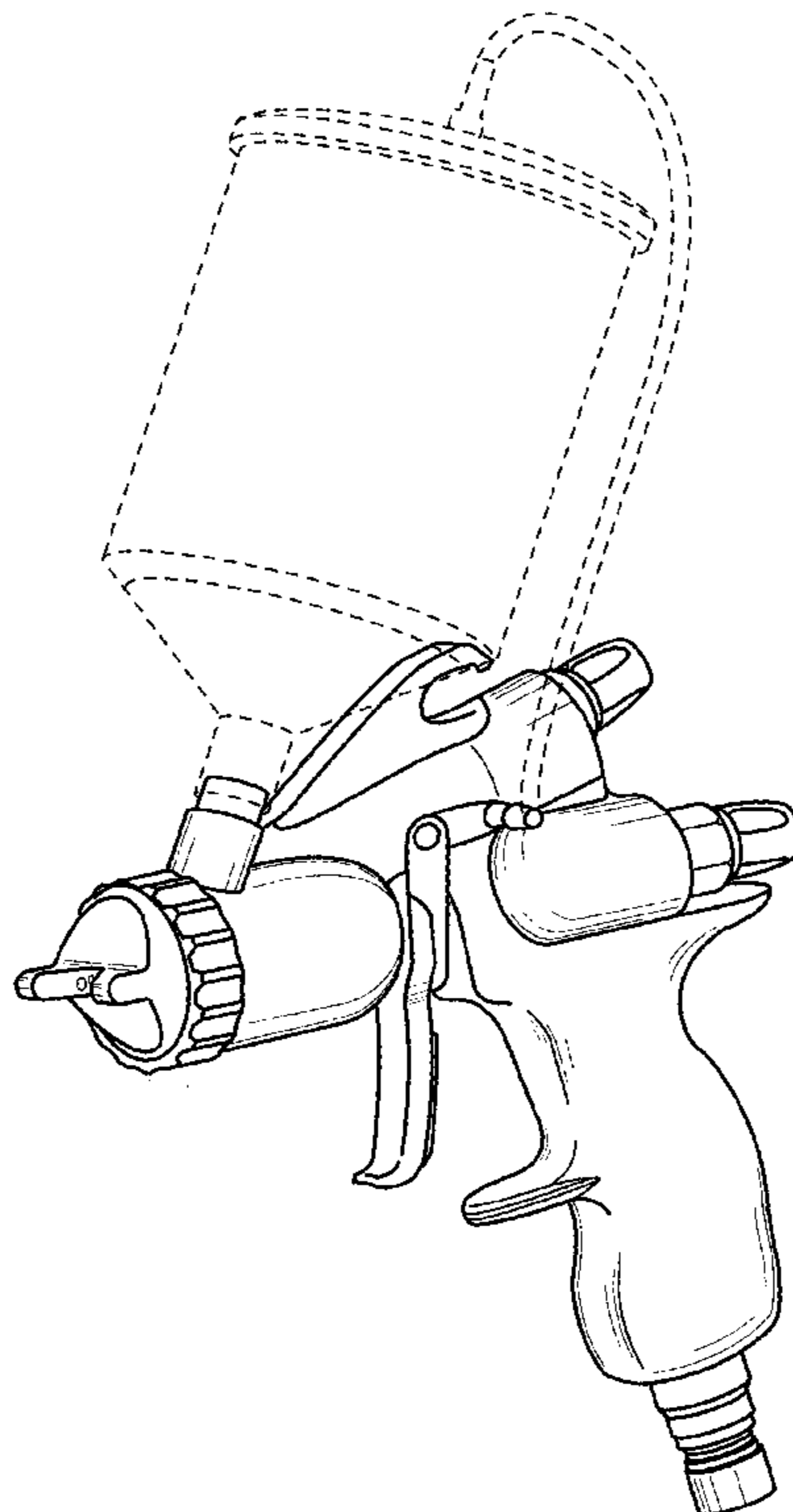
(57) **CLAIM**

I claim the ornamental design for a spray device, as shown and described.

DESCRIPTION

FIG. 1 is a front view of the spray device which embodies my design;
FIG. 2 is a back view of the spray device;
FIG. 3 is a right side view of the spray device;
FIG. 4 is a left side view of the spray device;
FIG. 5 is a top view of the spray device;
FIG. 6 is a bottom view of the spray device; and,
FIG. 7 is a perspective view of the spray device.
The portions of the drawings shown in broken lines form no part of the claimed design.

1 Claim, 6 Drawing Sheets



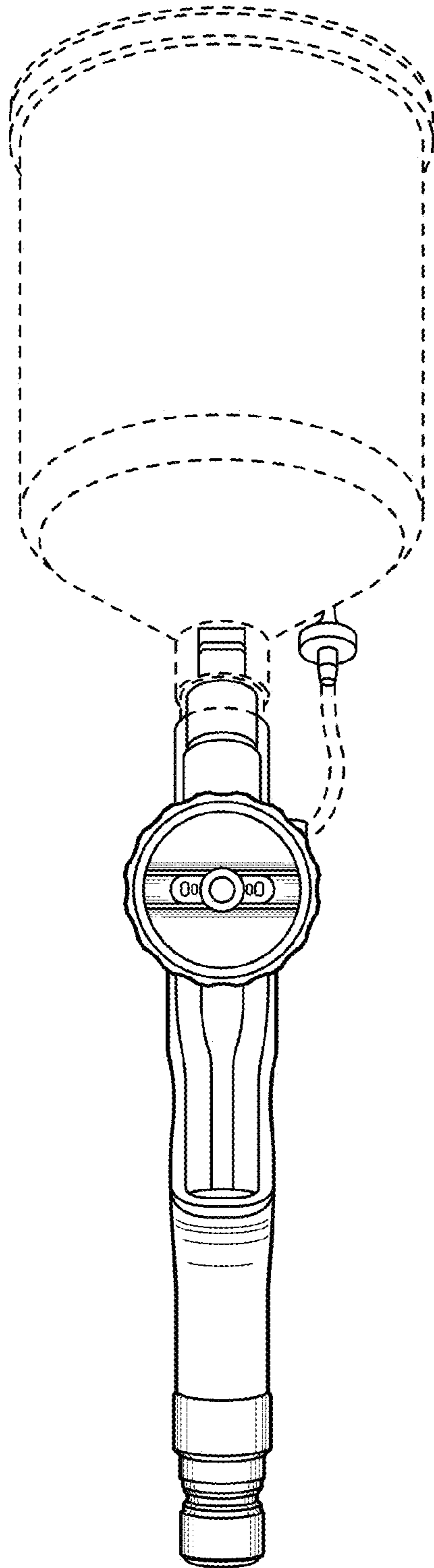


Fig. 1

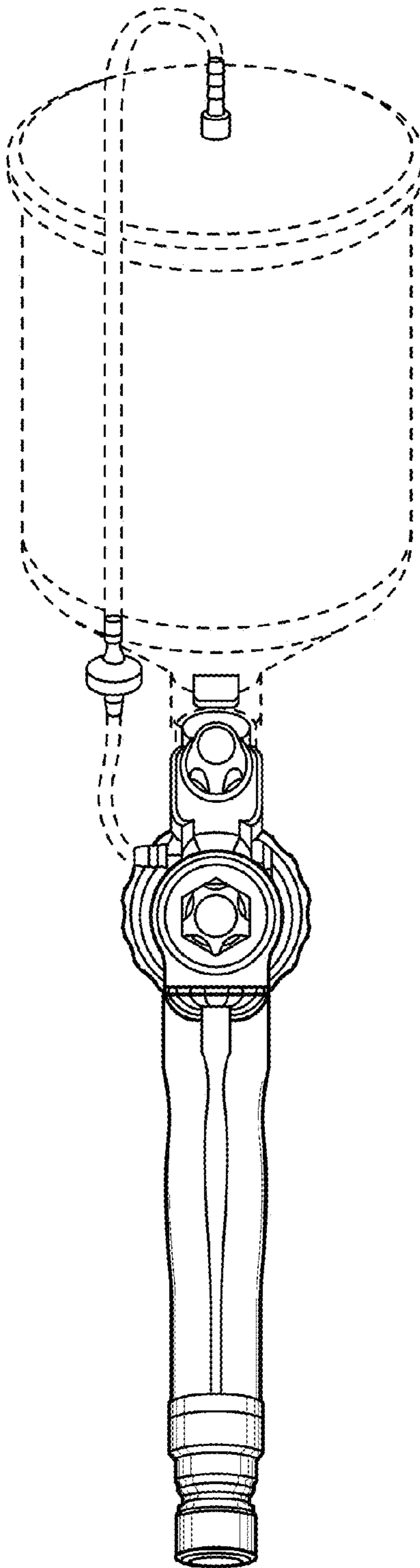


Fig. 2

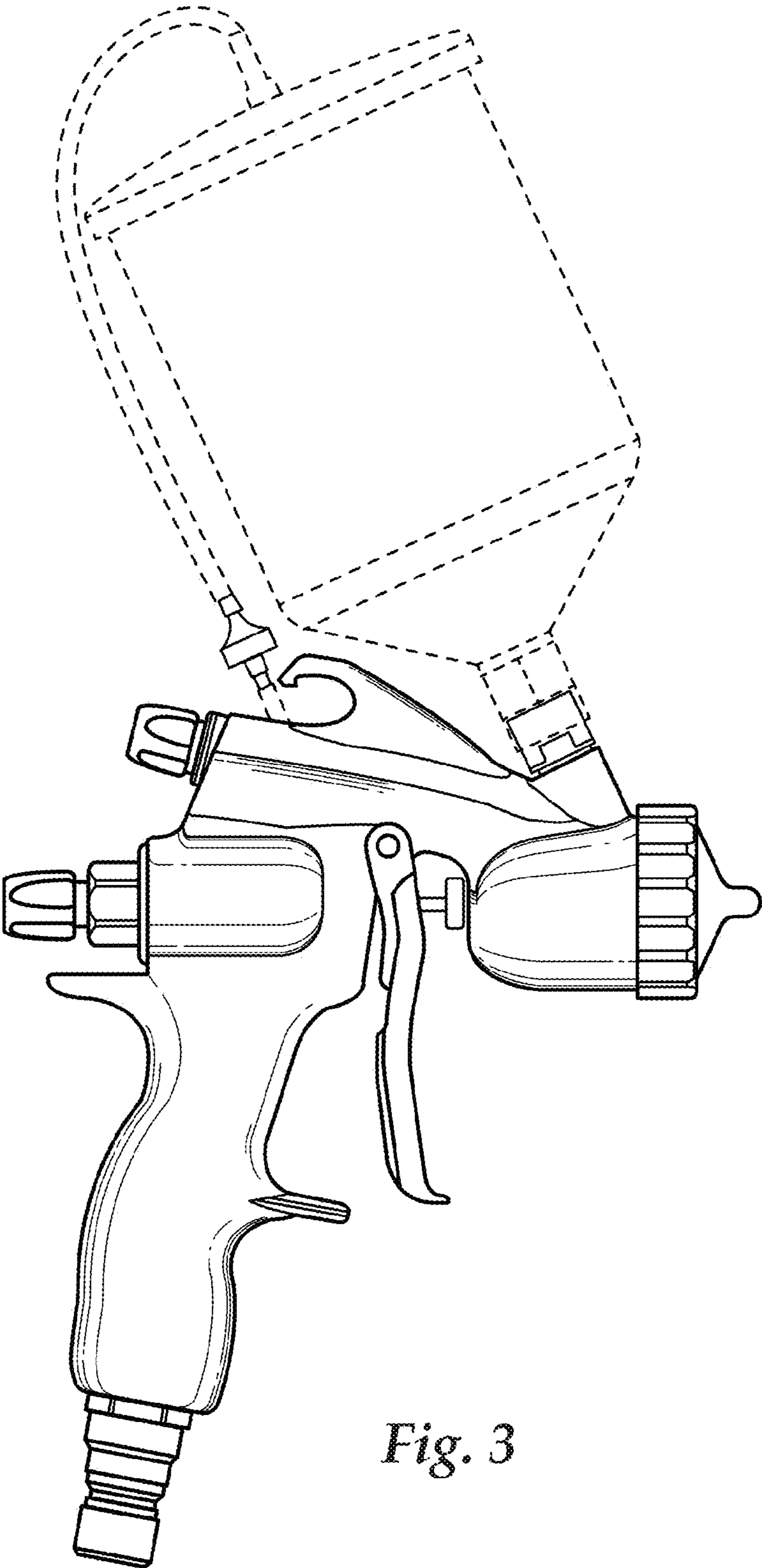


Fig. 3

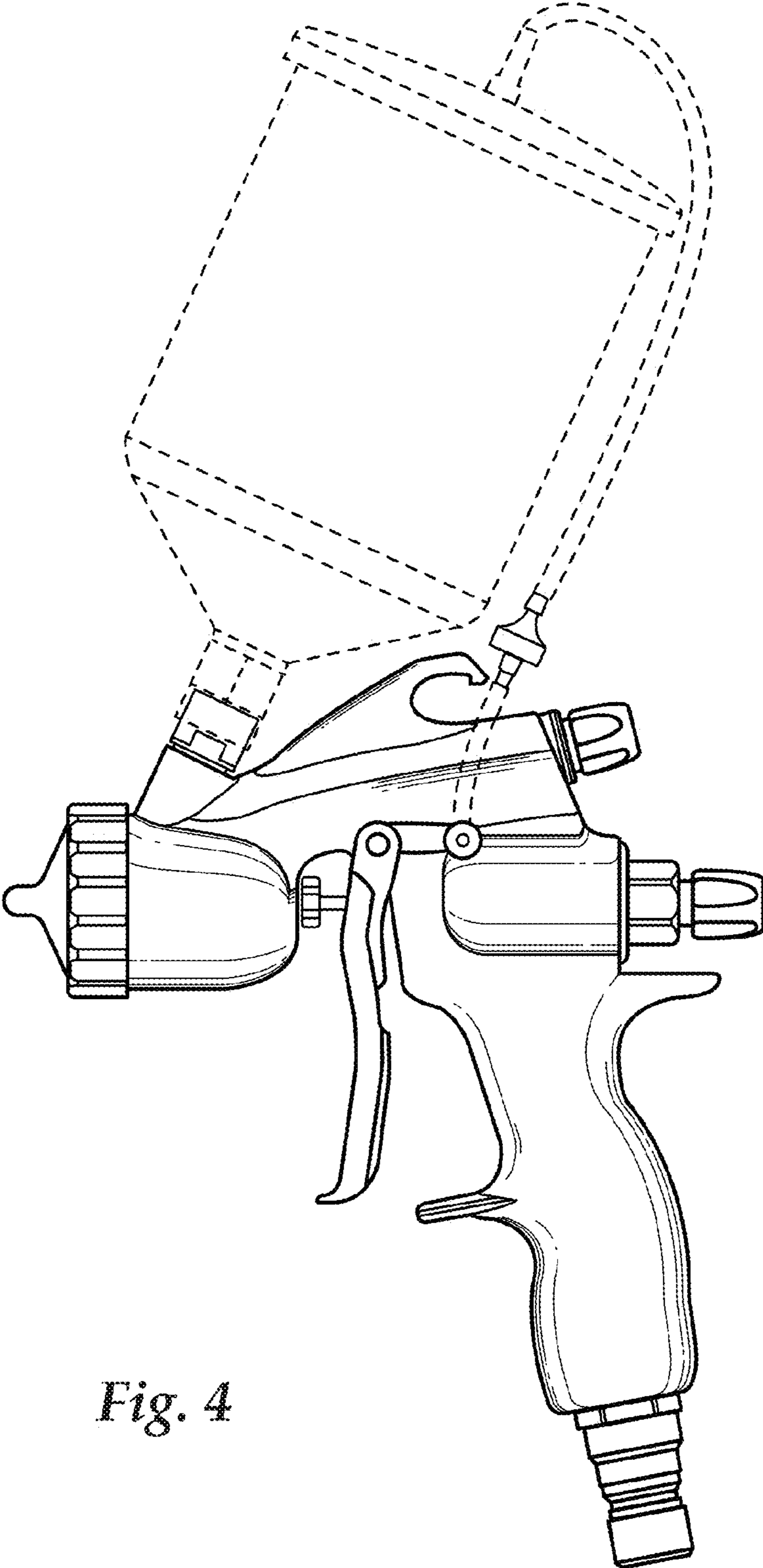


Fig. 4

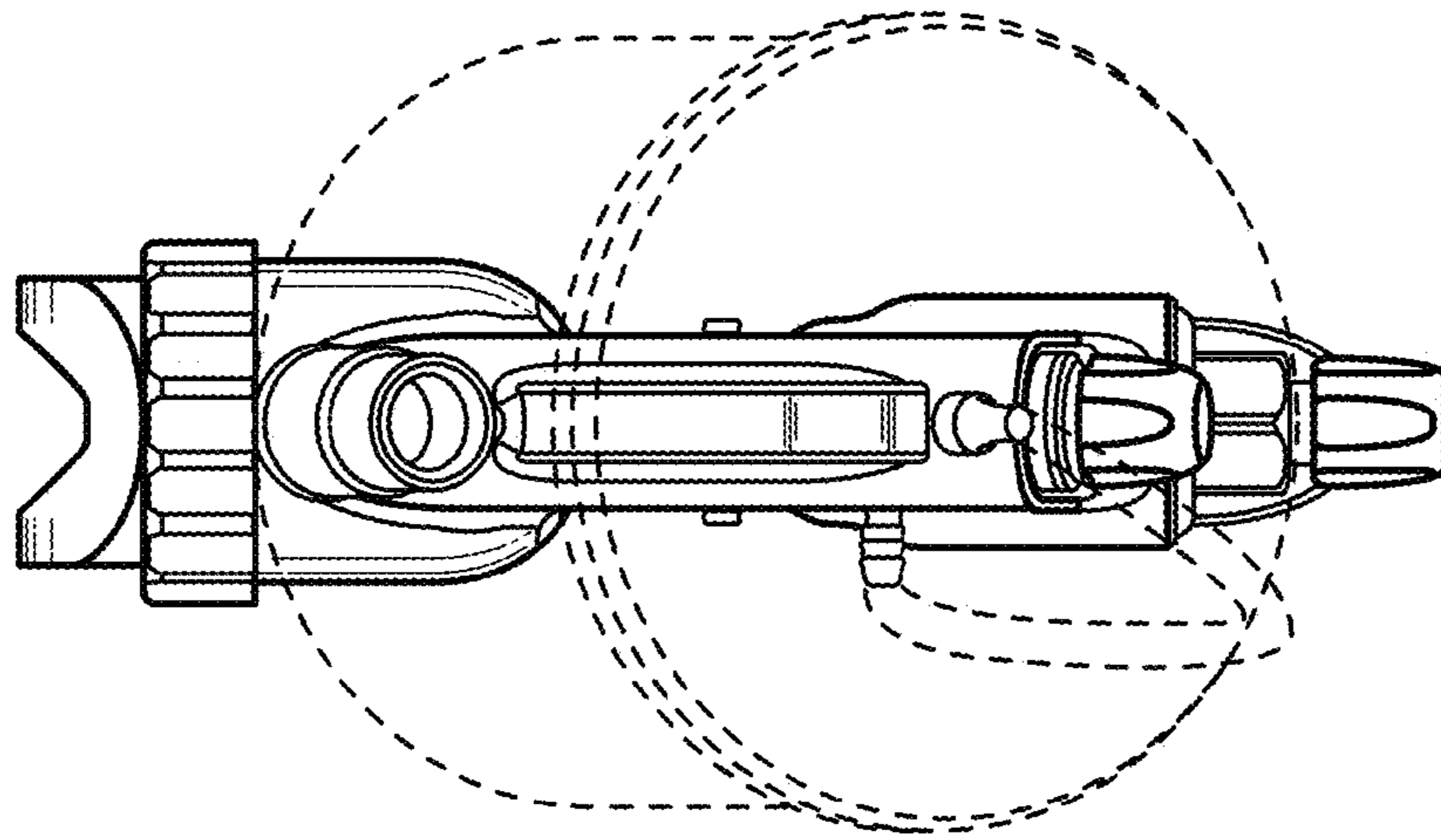


Fig. 5

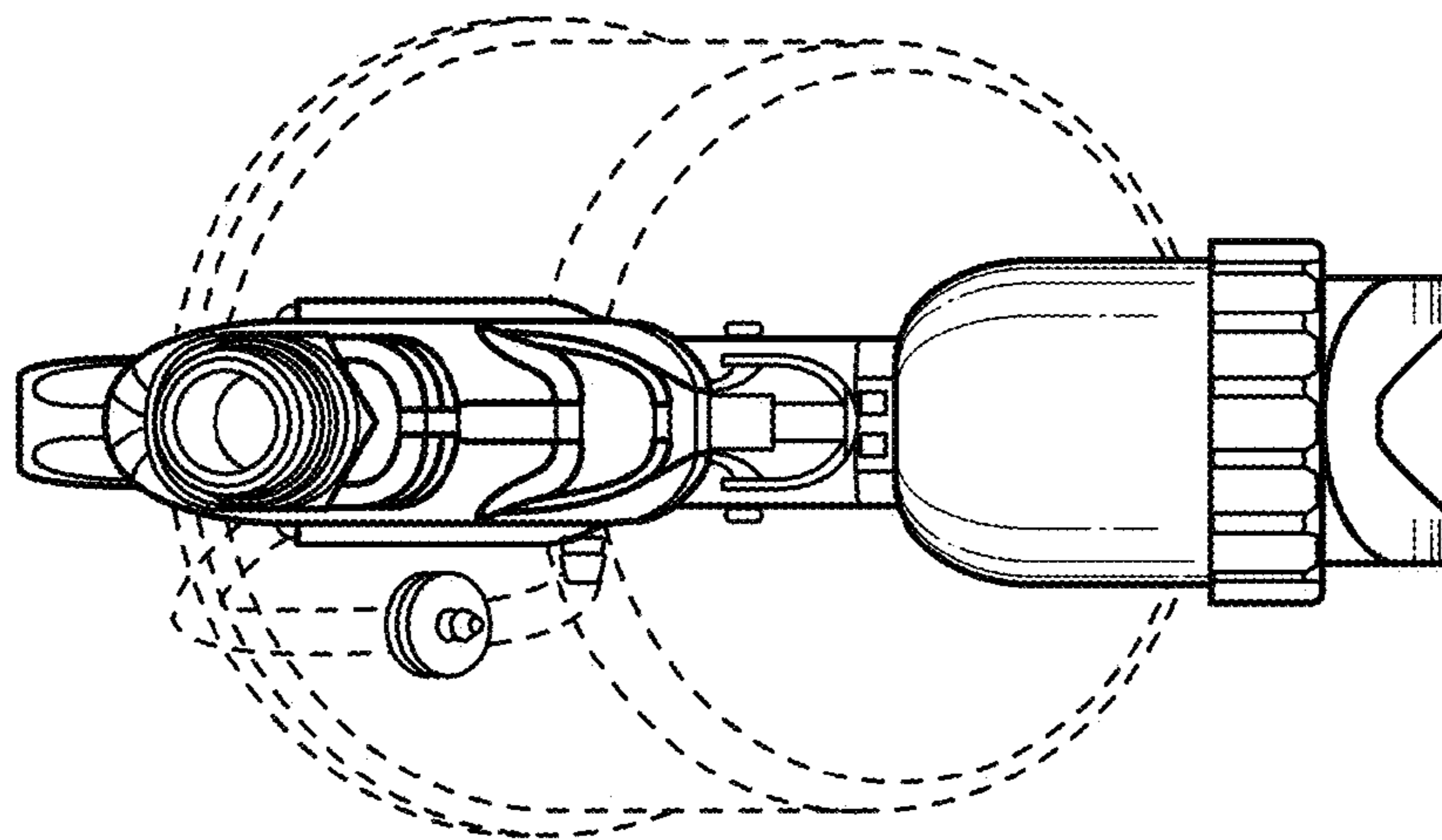


Fig. 6

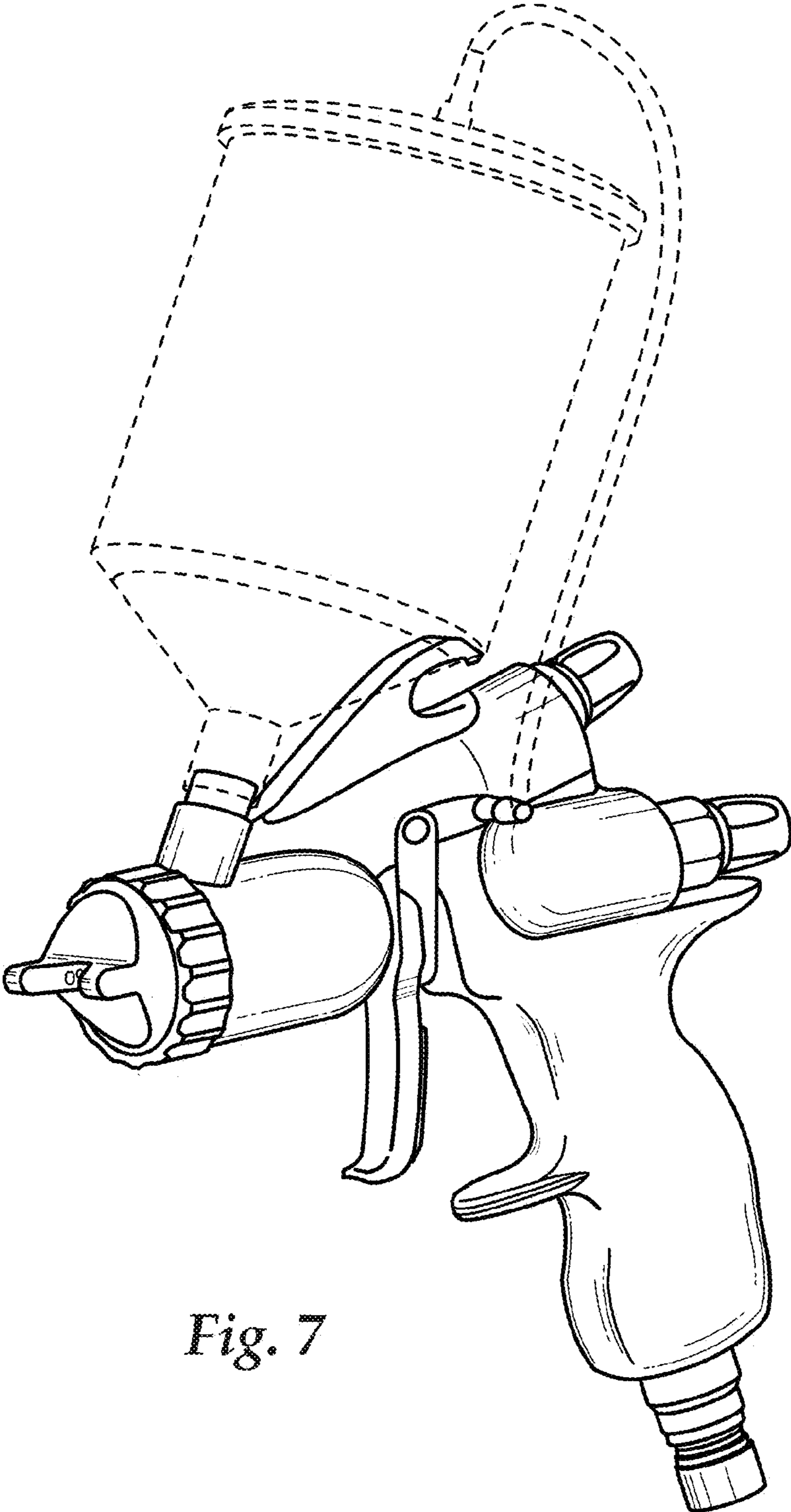


Fig. 7