



US00D720039S

(12) **United States Design Patent**
Tinius

(10) **Patent No.:** **US D720,039 S**

(45) **Date of Patent:** **** Dec. 23, 2014**

(54) **MANUAL SPRAYING MACHINE**

7,175,104 B2 * 2/2007 Allen, IV 239/71
8,616,466 B2 * 12/2013 Strauss et al. 239/154
D706,388 S * 6/2014 Abernethy et al. D23/225

(71) Applicant: **Andreas Stihl AG & Co. KG**,
Waiblingen (DE)

* cited by examiner

(72) Inventor: **Michael Tinius**, Ulm (DE)

Primary Examiner — Robin V Webster

(73) Assignee: **Andreas Stihl AG & Co. KG**,
Waiblingen (DE)

(74) *Attorney, Agent, or Firm* — McGuireWoods LLP

(**) Term: **14 Years**

(57) **CLAIM**

I claim the ornamental design for a manual spraying machine,
as shown and described.

(21) Appl. No.: **29/477,298**

DESCRIPTION

(22) Filed: **Dec. 20, 2013**

(30) **Foreign Application Priority Data**

Aug. 29, 2013 (EM) 002298893-0004

(51) **LOC (10) Cl.** **23-01**

(52) **U.S. Cl.**
USPC **D23/225**

(58) **Field of Classification Search**
CPC B05B 9/04; B05B 9/08
USPC D23/213, 202, 225; 239/152-154,
239/DIG. 14, 332-3; 222/465.1, 383.1
See application file for complete search history.

FIG. 1 is a right-rear perspective view of the manual spraying machine;
FIG. 2 is a front view of the manual spraying machine shown in FIG. 1;
FIG. 3 is a rear view of the manual spraying machine shown in FIG. 1;
FIG. 4 is a left side view of the manual spraying machine shown in FIG. 1;
FIG. 5 is a right side of the manual spraying machine shown in FIG. 1;
FIG. 6 is a top view of the manual spraying machine shown in FIG. 1; and,
FIG. 7 is a bottom view of the manual spraying machine shown in FIG. 1.

(56) **References Cited**

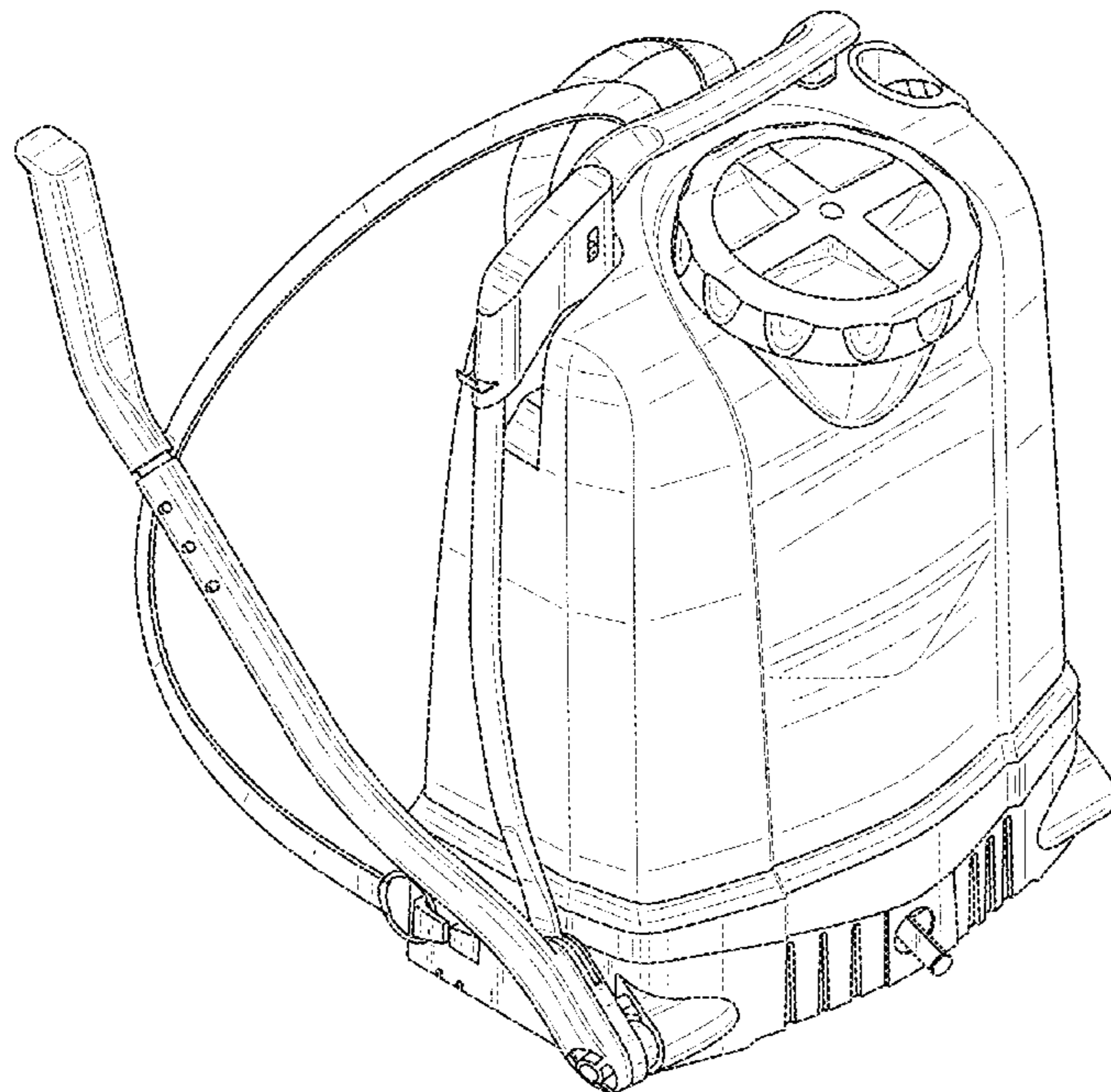
U.S. PATENT DOCUMENTS

2,162,057 A * 6/1939 Brandt et al. 239/154
4,848,660 A * 7/1989 O'Connell 239/154
5,636,791 A * 6/1997 Leer 239/142
6,729,558 B1 * 5/2004 Seenauth 239/152
6,769,628 B1 * 8/2004 Vaage et al. 239/152

Applicant expressly reserves the right to modify FIGS. 1-7 to include, in line drawing format, any one or all of the features shown (i.e., shown in either dashed-lines or solid lines) in FIGS. 1-7.

The subject matter shown in dashed lines, and any surfaces of the design not shown, including interior surfaces, form no part of the claimed invention.

1 Claim, 7 Drawing Sheets



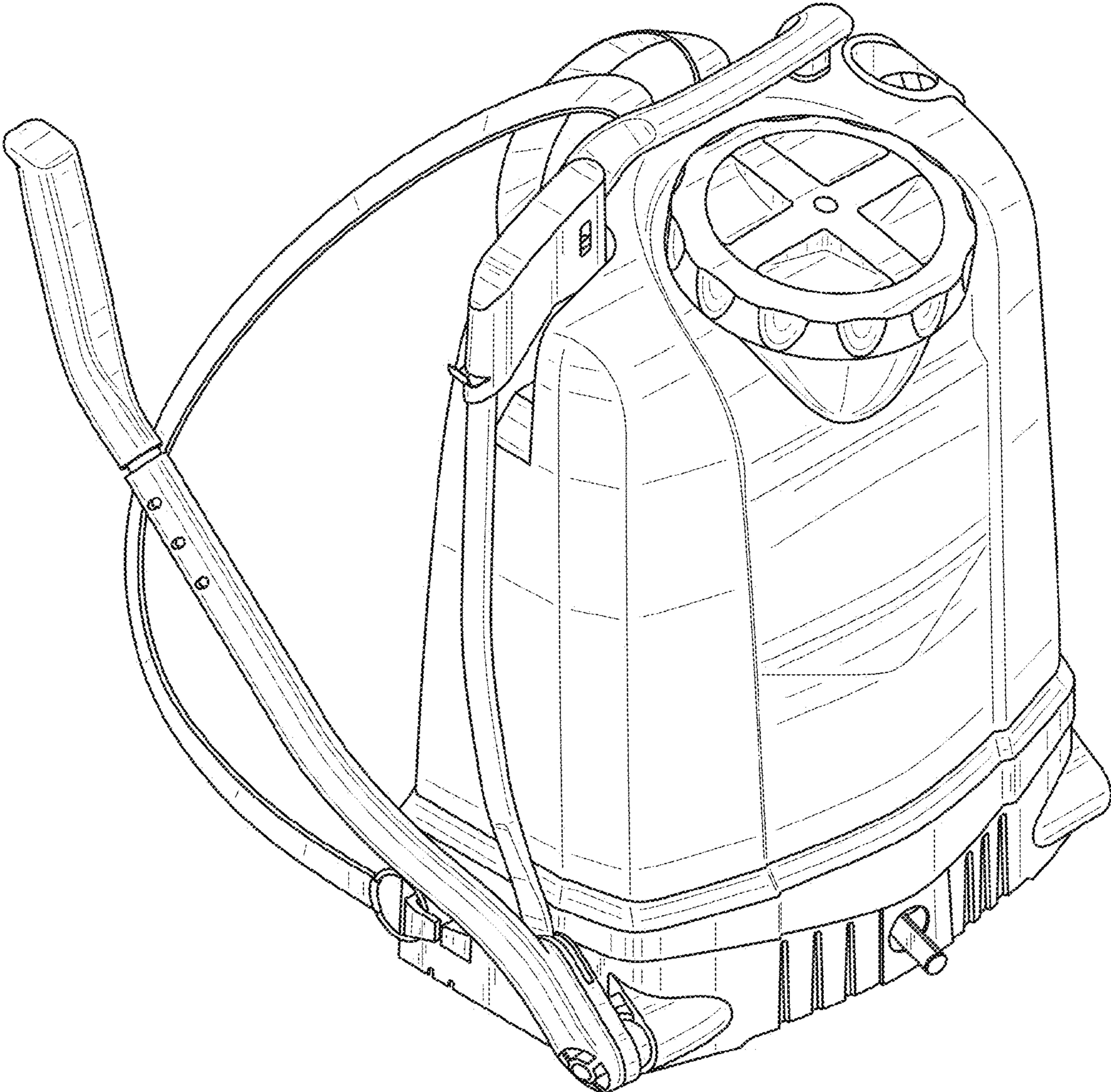


FIG. 1

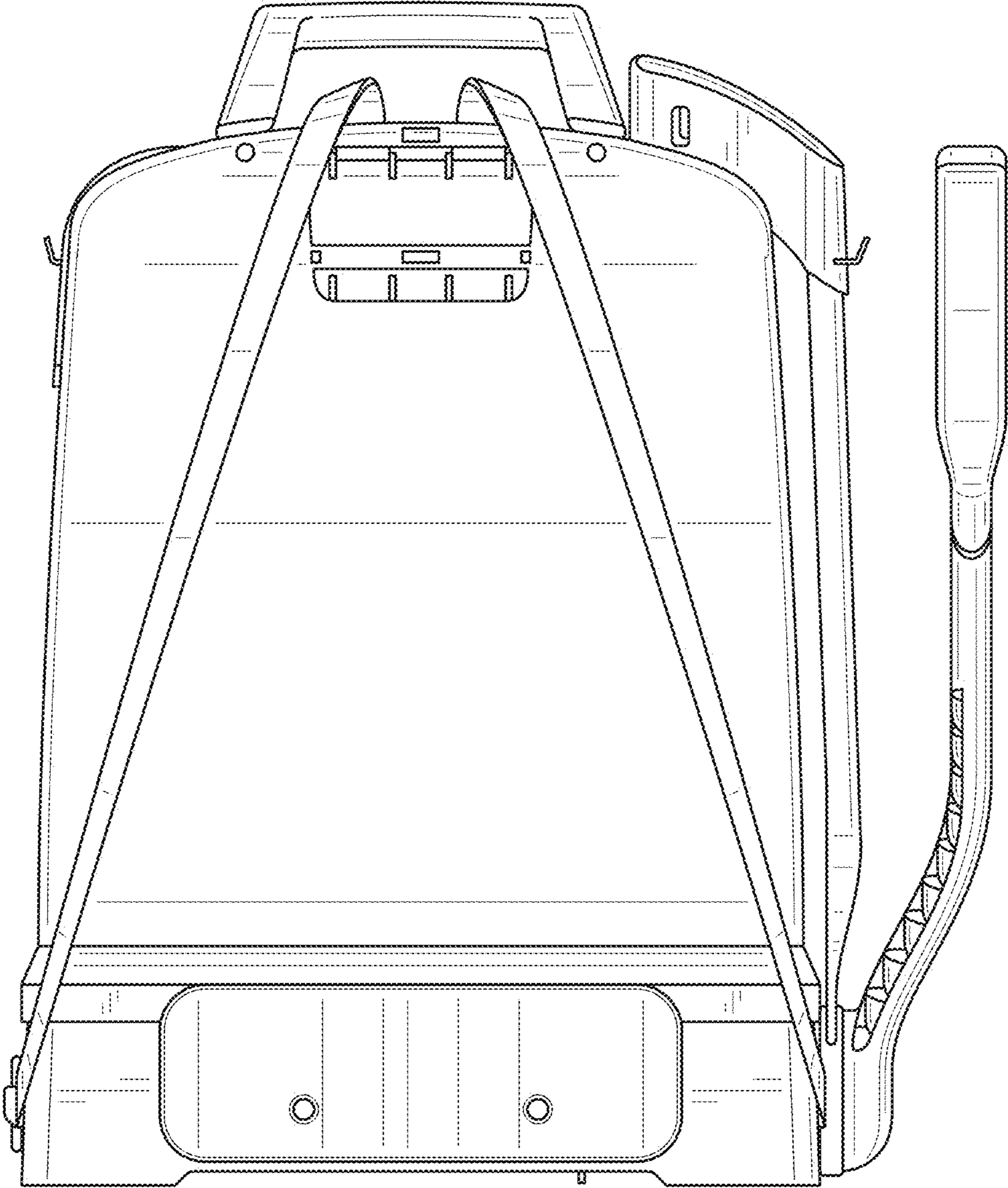


FIG. 2

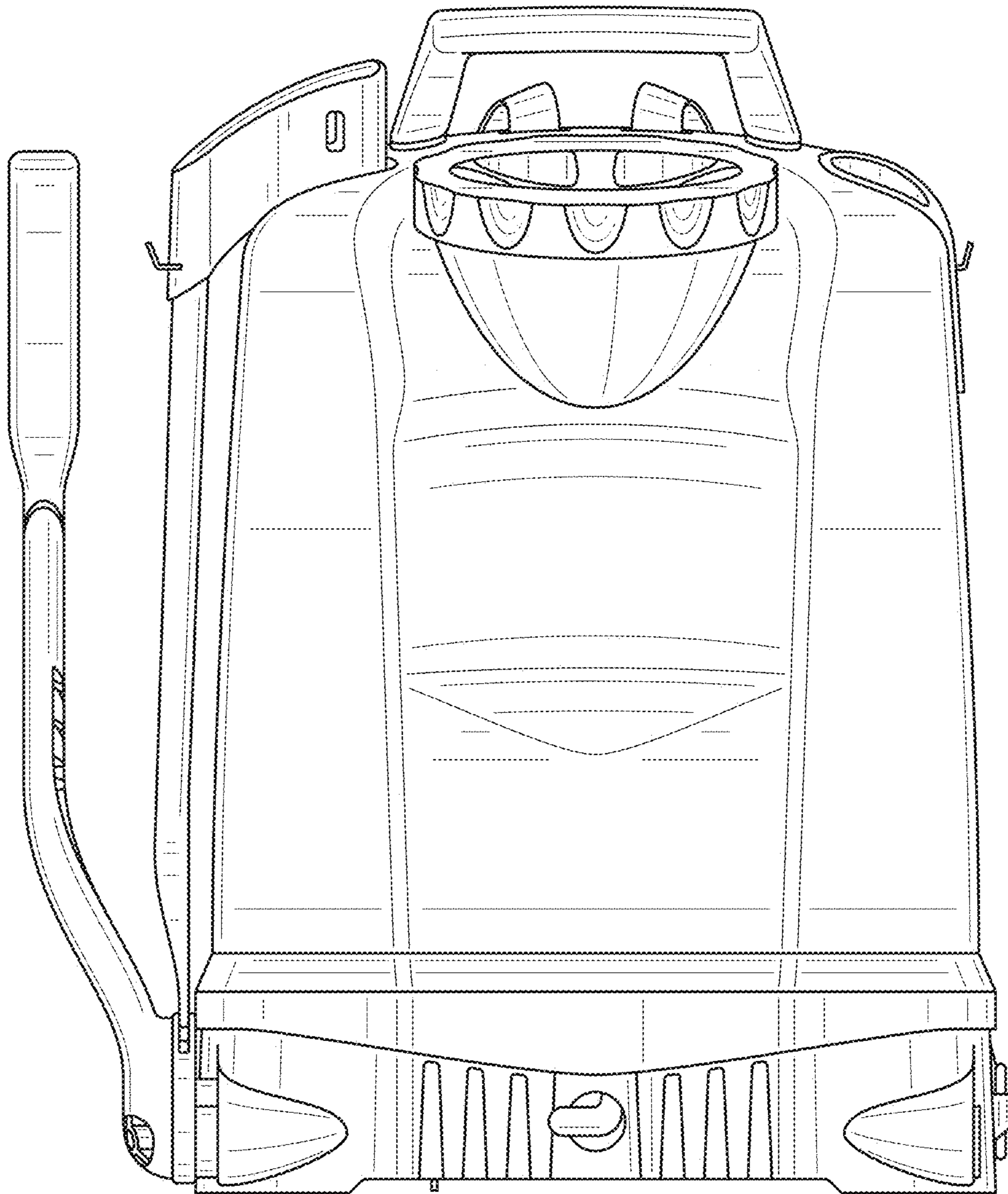


FIG. 3

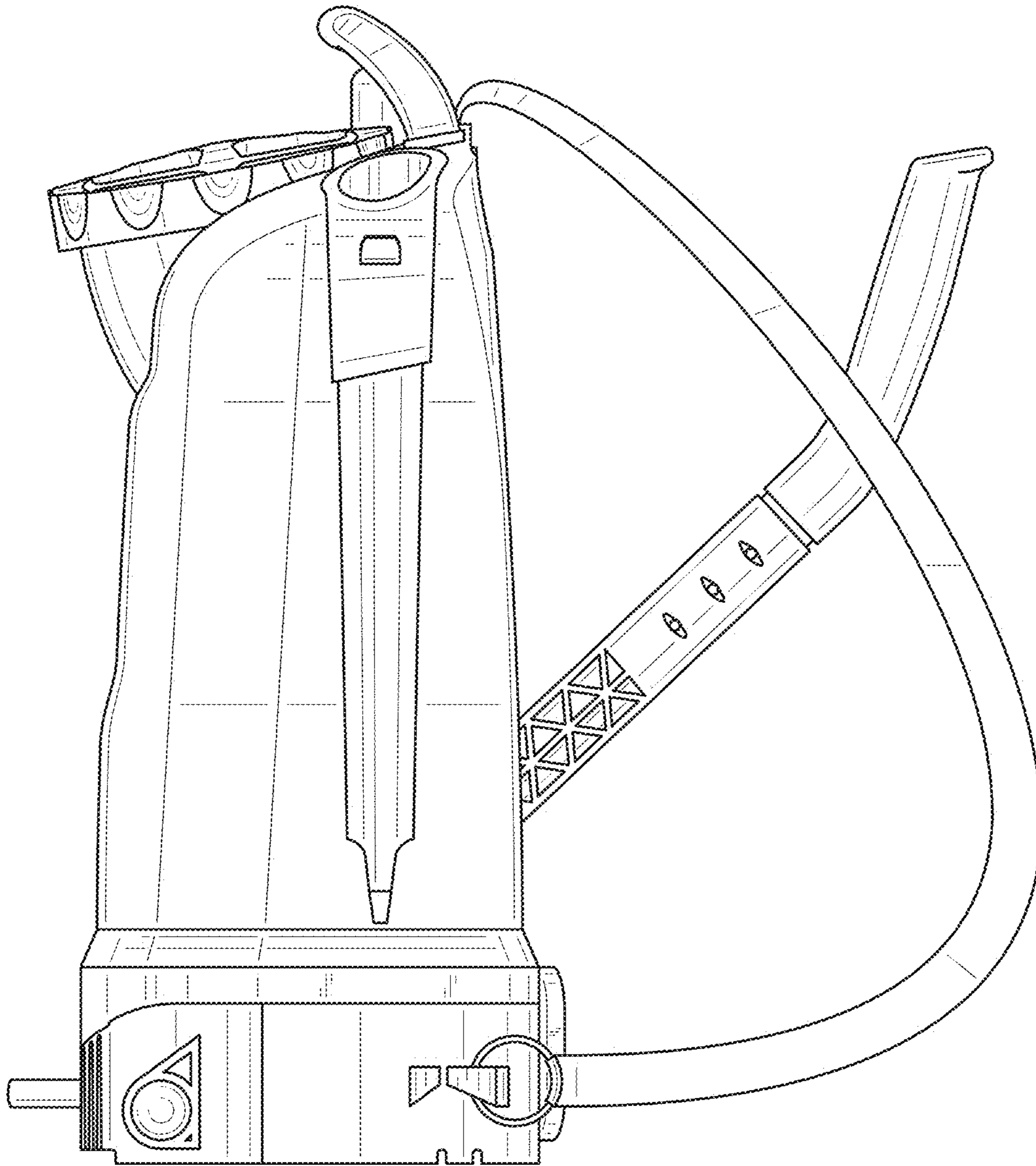


FIG. 4

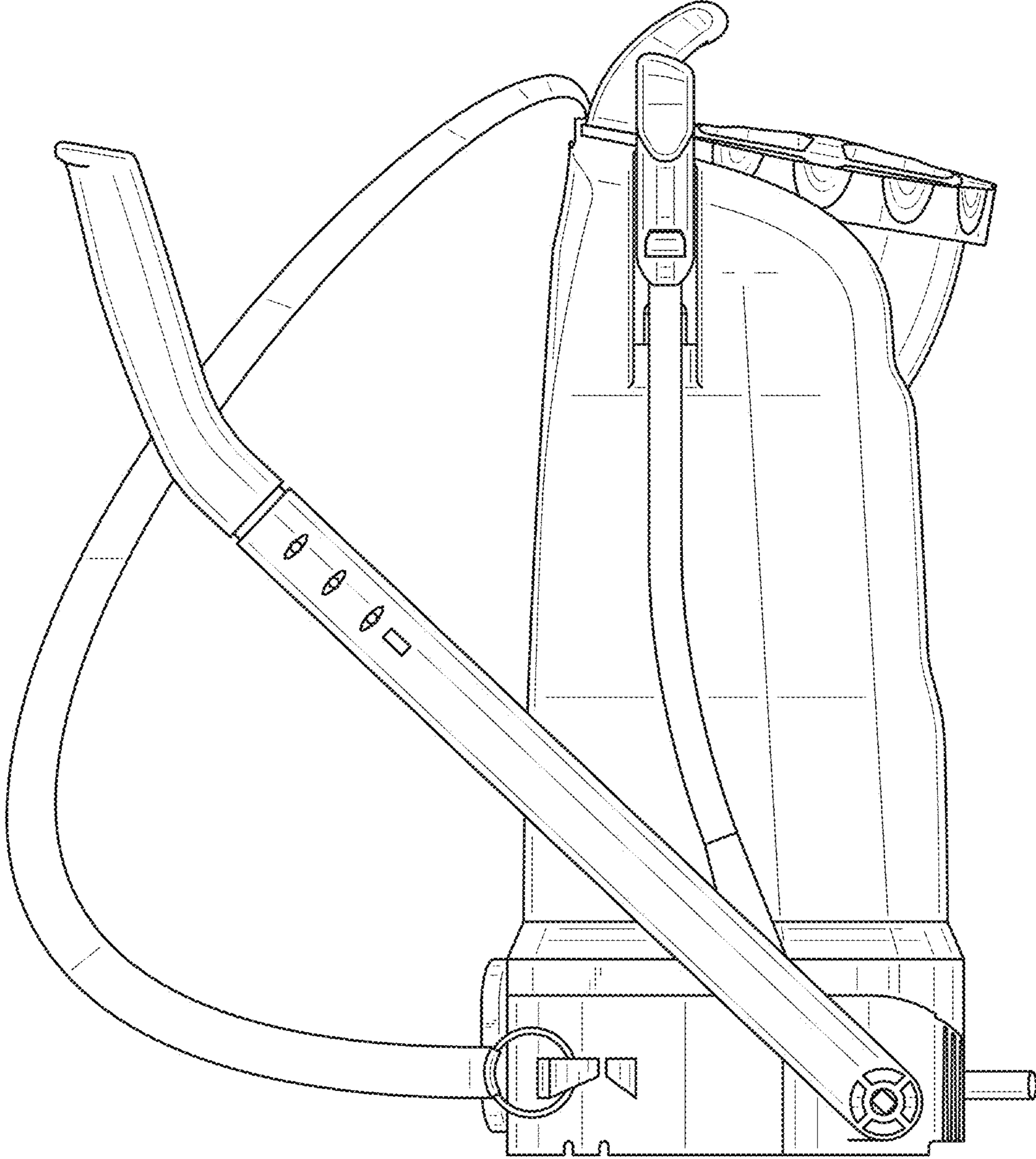


FIG. 5

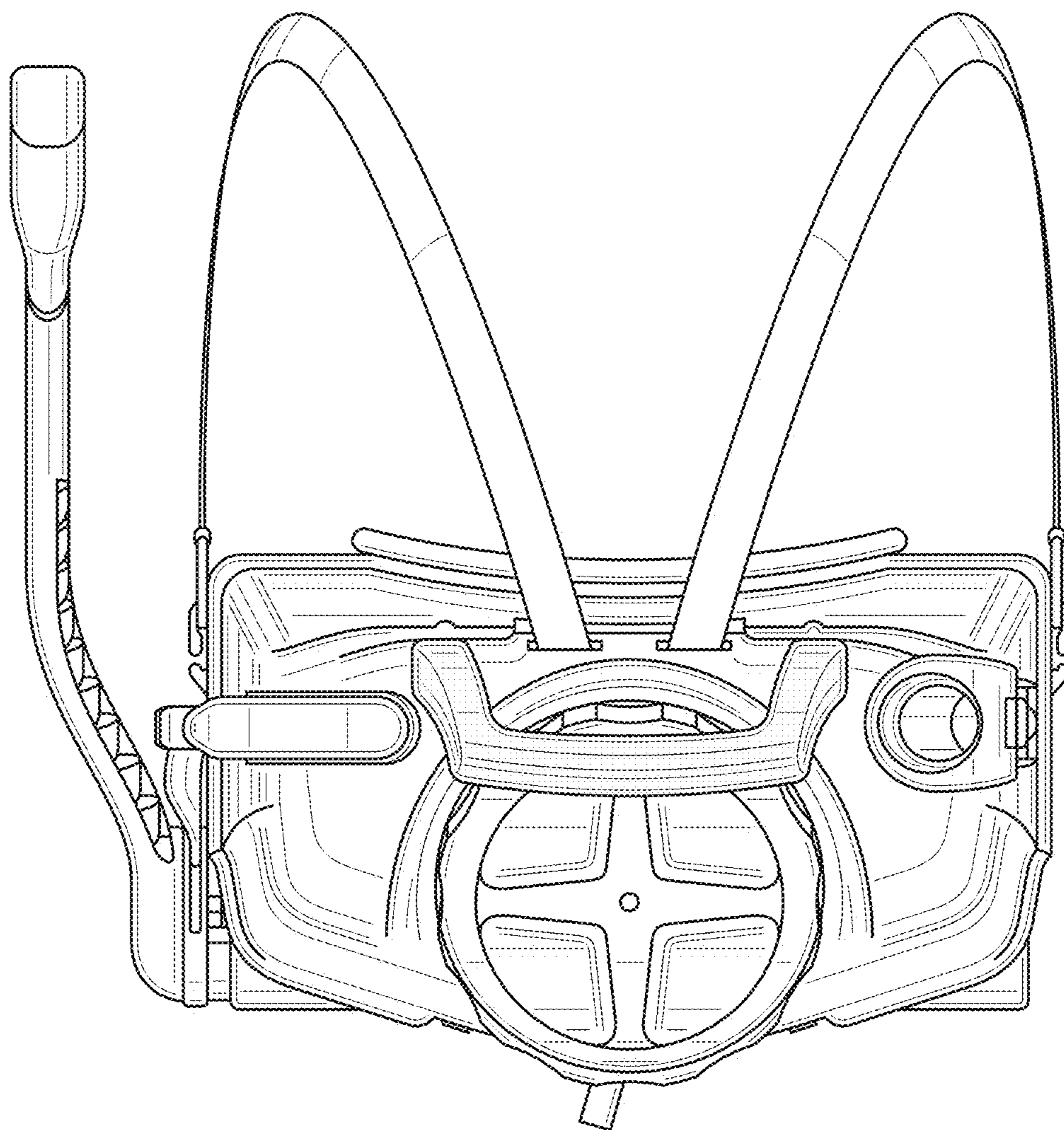


FIG. 6

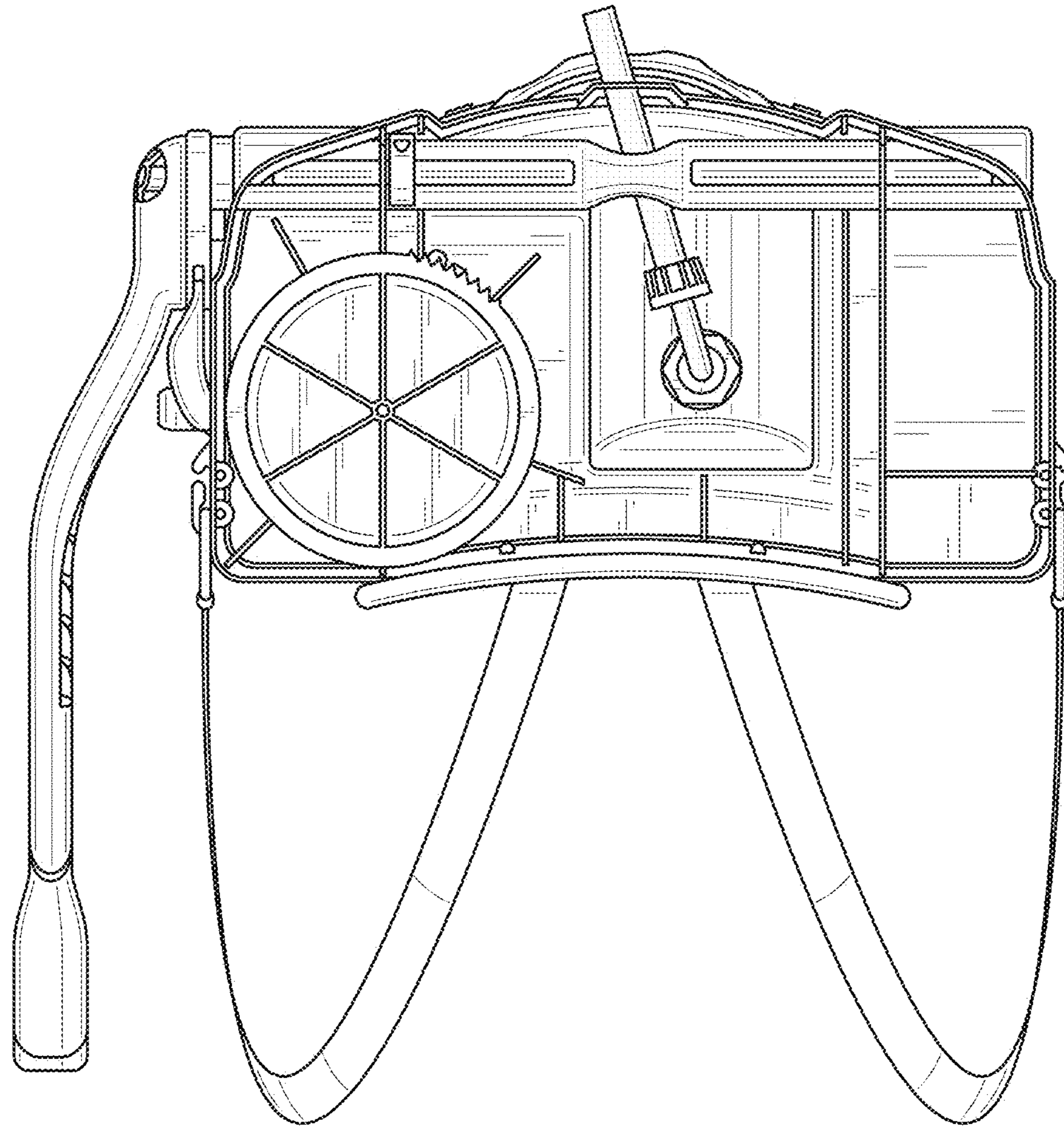


FIG. 7