



US00D720037S

(12) **United States Design Patent**
Rowsey

(10) **Patent No.:** **US D720,037 S**

(45) **Date of Patent:** **** Dec. 23, 2014**

(54) **STEALTH IV MOLDED TANK ASSEMBLY**

Primary Examiner — Robin V Webster

(74) *Attorney, Agent, or Firm* — Warren V. Norred

(71) Applicant: **Bryan Rowsey**, Keller, TX (US)

(72) Inventor: **Bryan Rowsey**, Keller, TX (US)

(57) **CLAIM**

I claim the ornamental design for a stealth IV molded tank assembly, as shown and described.

(**) Term: **14 Years**

(21) Appl. No.: **29/440,745**

DESCRIPTION

(22) Filed: **Dec. 27, 2012**

A utility patent application either has been filed or will be shortly by the same inventor for the utilitarian claims to this same invention.

(51) **LOC (10) Cl.** **23-01**

(52) **U.S. Cl.**
USPC **D23/202**

FIG. 1 is a perspective view of a stealth IV molded tank assembly showing my new design;

FIG. 2 is a top view thereof;

FIG. 3 is a side view thereof; and,

FIG. 4 is an end view thereof.

(58) **Field of Classification Search**
USPC D23/202–206, 225; 220/367.1, 565,
220/582

See application file for complete search history.

Portions of the stealth IV molded tank assembly that are not shown in the drawings form no part of the claimed design.

The invention for which a design patent is sought is a line of molded tanks on which various electrical and mechanical systems are affixed. The invention comes in three sizes, 130 gallon, 225 gallon, and 335 gallon.

Oil field injection systems use the tank as a base to collect fluids that are released during oil processes.

(56) **References Cited**

U.S. PATENT DOCUMENTS

D195,977 S *	8/1963	Halaby	D23/225
5,251,473 A *	10/1993	Reese	73/49.2
5,346,093 A *	9/1994	De Benedittis et al.	220/565
D629,864 S *	12/2010	Stack	D23/202

* cited by examiner

1 Claim, 4 Drawing Sheets

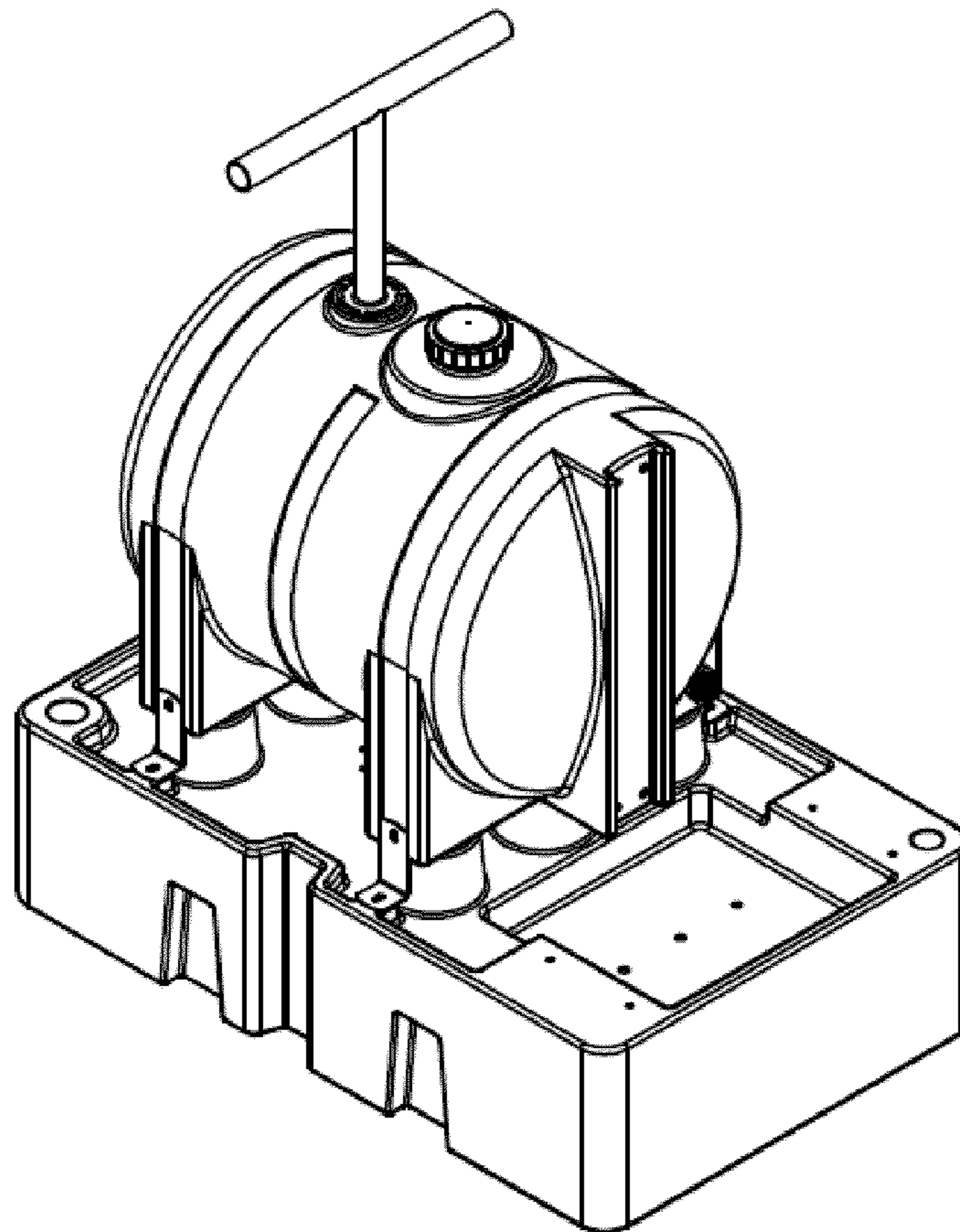


Figure 1

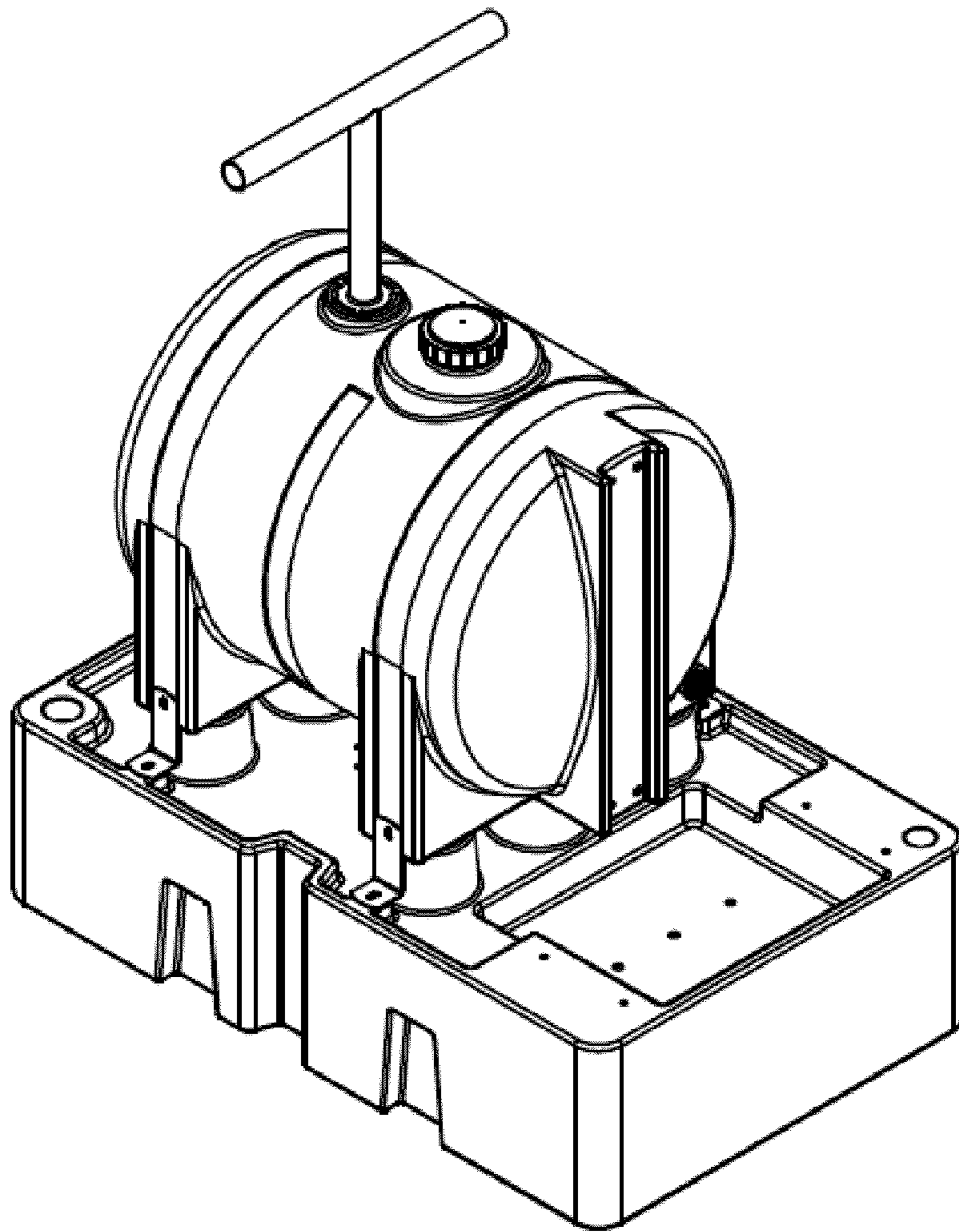


Figure 2

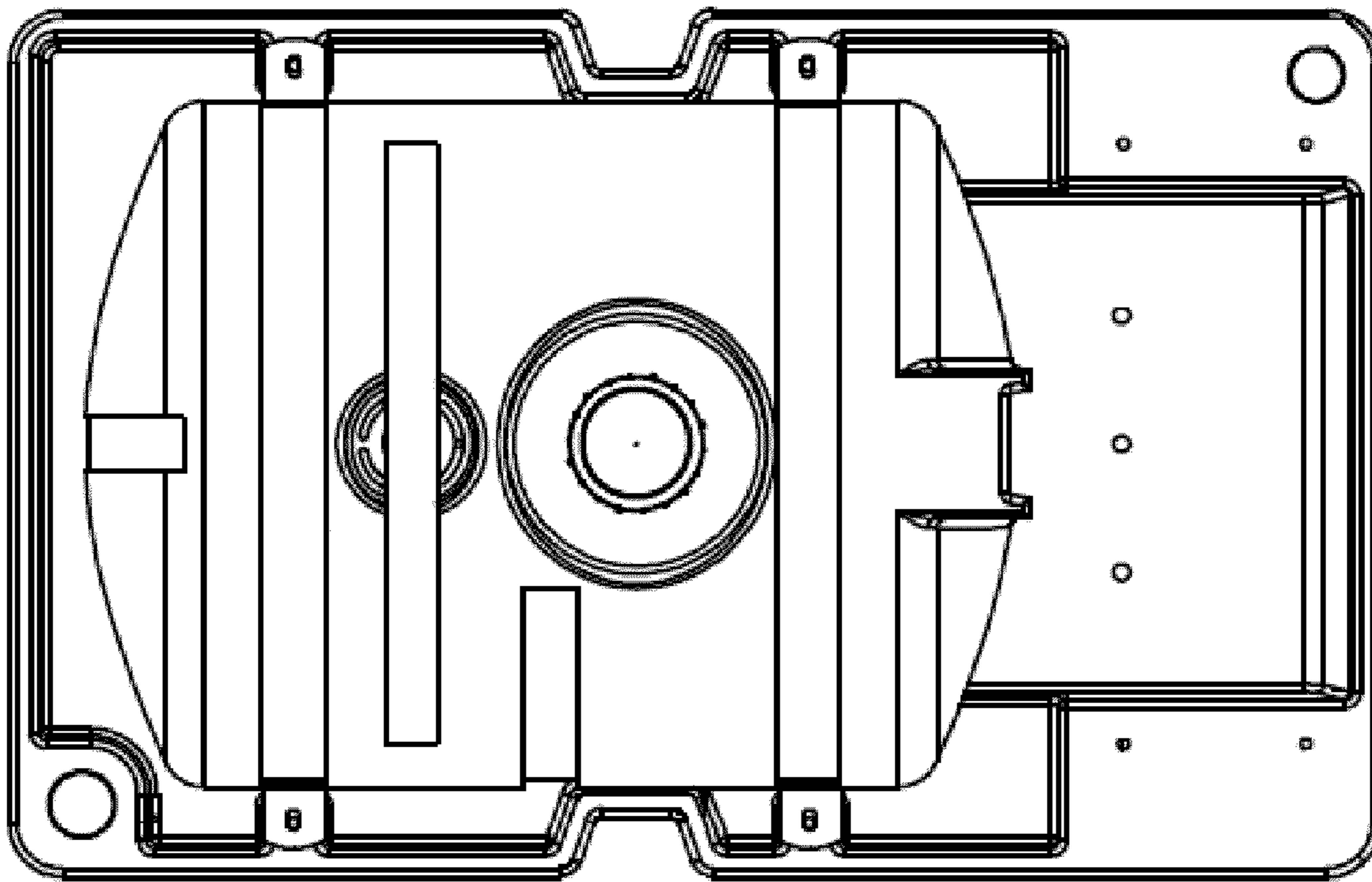


Figure 3

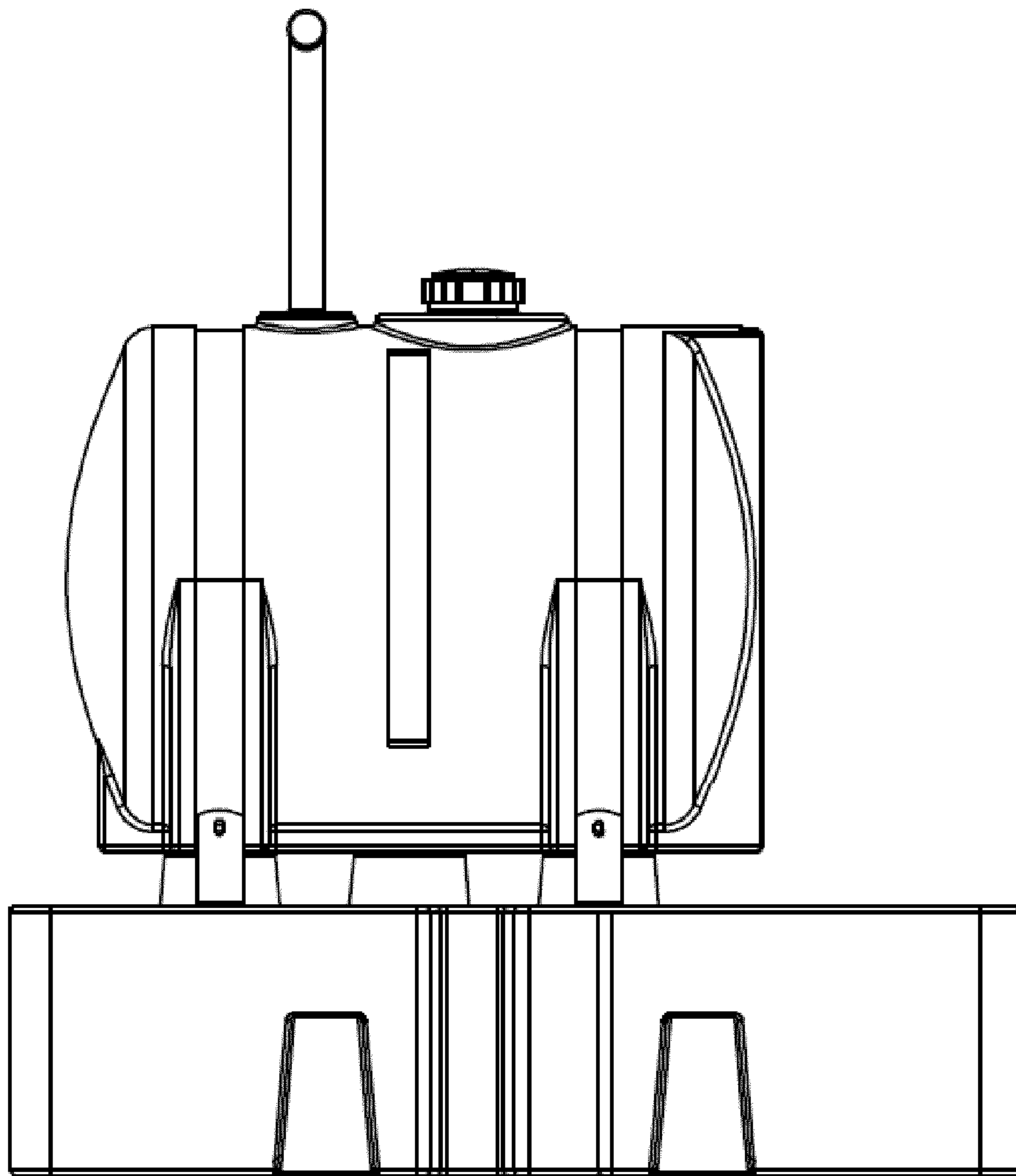


Figure 4

