



US00D720035S

(12) **United States Design Patent**
Mills

(10) **Patent No.:** **US D720,035 S**

(45) **Date of Patent:** **** Dec. 23, 2014**

(54) **GUTTING BLADE**

(71) Applicant: **Nickolas A. Mills**, Evansville, IN (US)

(72) Inventor: **Nickolas A. Mills**, Evansville, IN (US)

(**) Term: **14 Years**

(21) Appl. No.: **29/482,180**

(22) Filed: **Feb. 14, 2014**

(51) **LOC (10) Cl.** **22-02**

(52) **U.S. Cl.**
USPC **D22/118; D22/149**

(58) **Field of Classification Search**
USPC **D22/118, 149, 199; 43/53.5; D7/650;**
D8/95-99; 30/279.2, 287, 294, 355,
30/408

See application file for complete search history.

(56) **References Cited**

U.S. PATENT DOCUMENTS

2,630,314 A *	3/1953	Cadwallader	43/53.5
3,241,236 A *	3/1966	Capps	30/287
D675,699 S *	2/2013	Hunter	D22/118
D684,654 S *	6/2013	Hunter	D22/118

* cited by examiner

Primary Examiner — Catheri Oliver-Garcia

(74) *Attorney, Agent, or Firm* — Gary K. Price

(57) **CLAIM**

The ornamental design for a gutting blade, as shown and described.

DESCRIPTION

FIG. 1 is a top perspective view of a gutting blade showing my design;

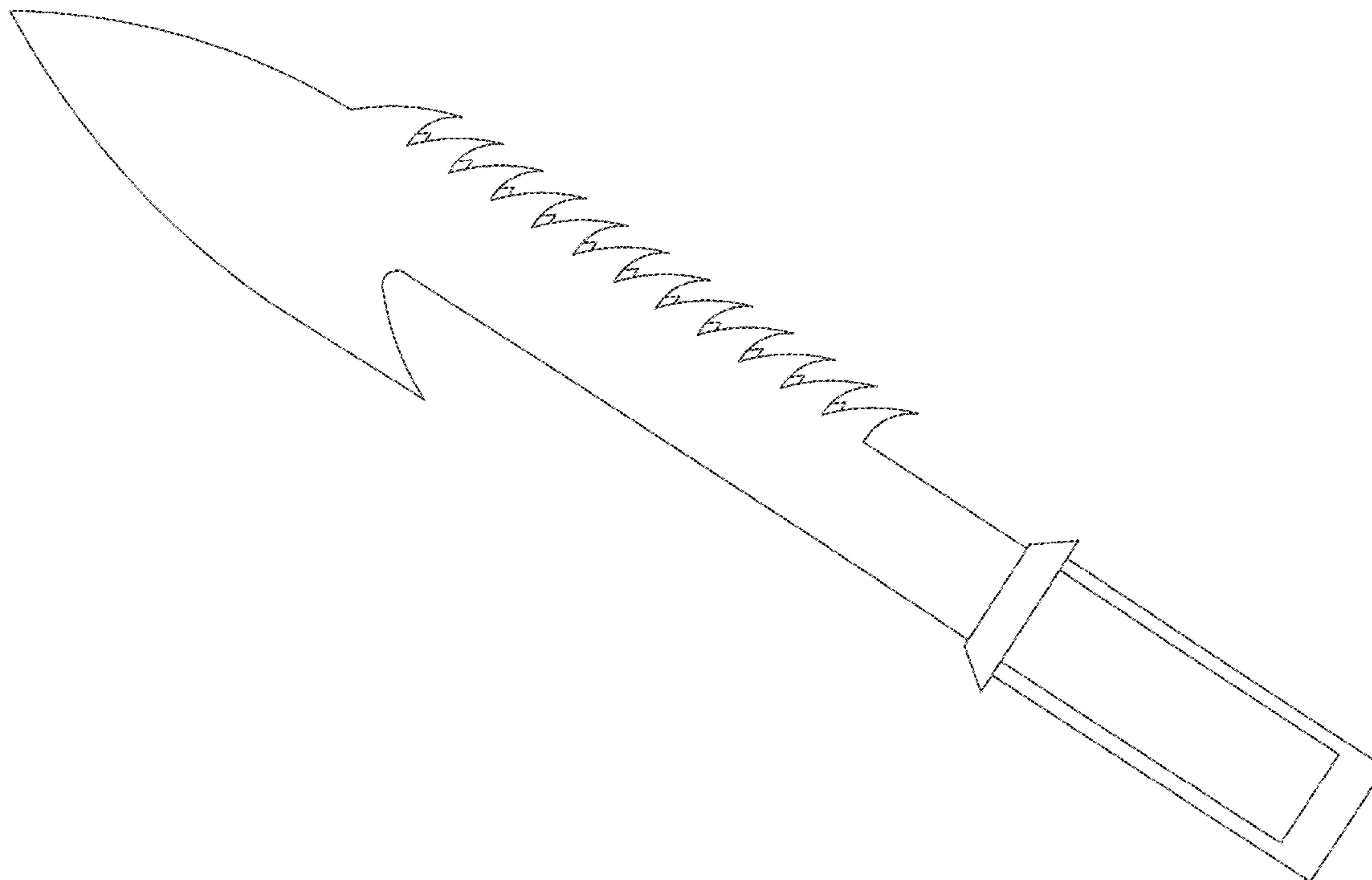
FIG. 2 is a top view thereof;

FIG. 3 is an first end view thereof;

FIG. 4 is a bottom view thereof; and,

FIG. 5 is a second end view thereof.

1 Claim, 3 Drawing Sheets



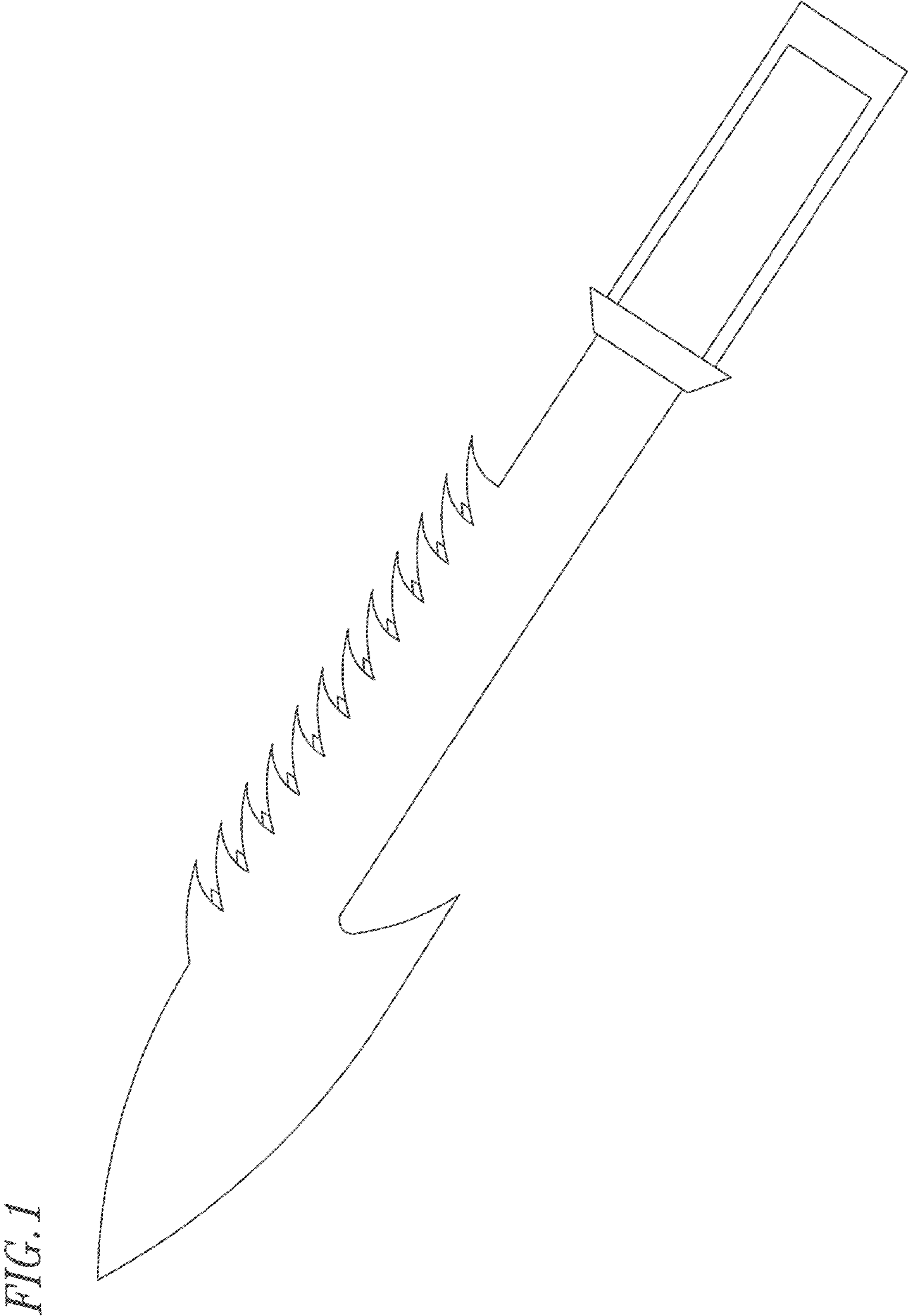


FIG. 2

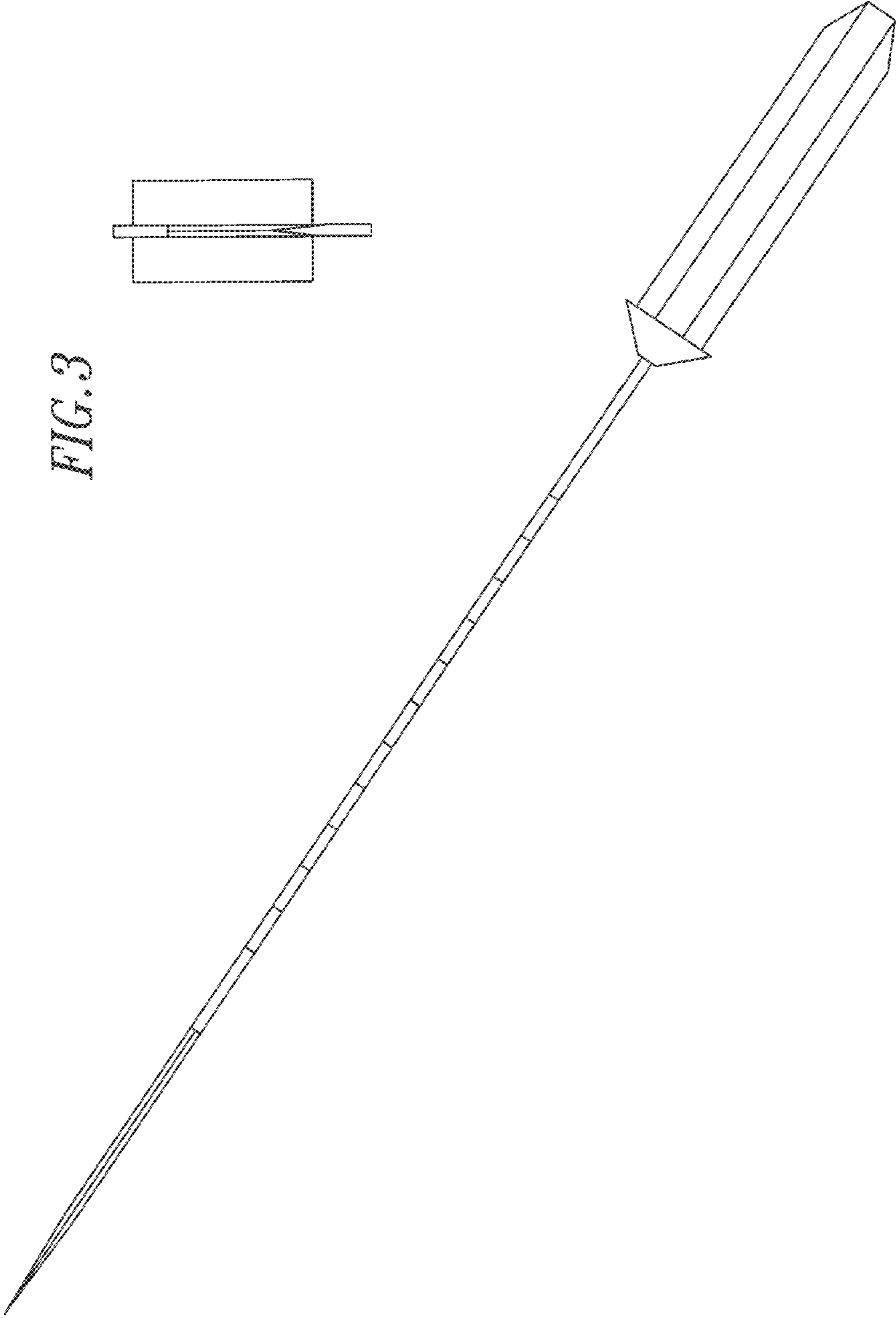


FIG. 3

