

US00D720032S

(12) **United States Design Patent**
Boutin

(10) **Patent No.:** **US D720,032 S**

(45) **Date of Patent:** **** Dec. 23, 2014**

(54) **RIFLE UPPER RECEIVER**

(71) Applicant: **John M. Boutin**, Holland, MA (US)

(72) Inventor: **John M. Boutin**, Holland, MA (US)

(73) Assignee: **Holland Automatic Rifles LLC**,
Holland, MA (US)

(**) Term: **14 Years**

(21) Appl. No.: **29/460,545**

(22) Filed: **Jul. 11, 2013**

(51) **LOC (10) Cl.** **22-01**

(52) **U.S. Cl.**
USPC **D22/108**

(58) **Field of Classification Search**

CPC F41C 7/00; F41C 7/11; F41C 7/12
USPC D22/100, 101, 103, 104, 108, 199;
D21/572-575; 42/51, 71.01, 75.01,
42/75.02, 90, 94, 134, 136, 139, 125, 72,
42/111; 89/40.06, 41.19, 37.04, 33.04,
89/191.01, 200-204; 124/67, 66, 72, 74
See application file for complete search history.

(56) **References Cited**

U.S. PATENT DOCUMENTS

D285,236 S * 8/1986 Brunton D22/108
D503,959 S * 4/2005 Wardle D22/108
7,832,326 B1 * 11/2010 Barrett 89/191.01
D631,933 S * 2/2011 Thompson D22/108
8,230,634 B1 * 7/2012 Davies et al. 42/75.02
8,464,453 B1 * 6/2013 Ubl et al. 42/16

2011/0214327 A1 * 9/2011 Desomma 42/75.02
2012/0111183 A1 * 5/2012 Hochstrate et al. 89/193
2012/0137562 A1 * 6/2012 Langevin et al. 42/75.03
2012/0167424 A1 * 7/2012 Gomez 42/14
2013/0068089 A1 * 3/2013 Brown 89/193
2013/0174457 A1 * 7/2013 Gangl et al. 42/16
2013/0219763 A1 * 8/2013 Nunes 42/16

* cited by examiner

Primary Examiner — Michael A Pratt

(74) *Attorney, Agent, or Firm* — Bennet K. Langlotz;
Langlotz Patent & Trademark Works, Inc.

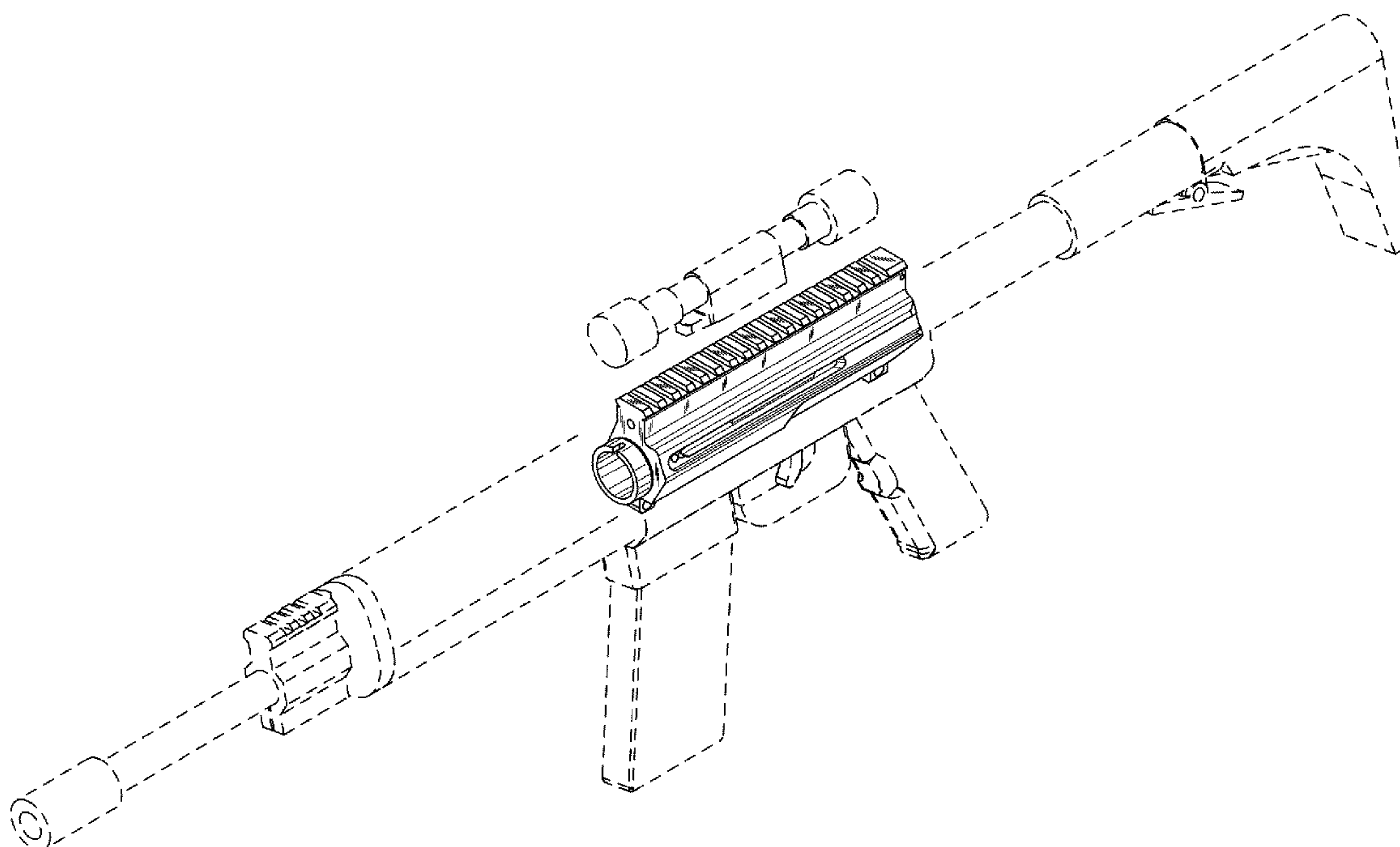
(57) **CLAIM**

The ornamental design for a rifle upper receiver, as shown and described.

DESCRIPTION

FIG. 1 is left front upper perspective view of a rifle upper receiver showing my new design with a stock, grip, magazine, and barrel attached thereto;
FIG. 2 is a left front upper perspective view thereof;
FIG. 3 is a right front upper perspective view thereof;
FIG. 4 is a left rear lower perspective view thereof;
FIG. 5 is a right rear lower perspective view thereof;
FIG. 6 is a top view thereof;
FIG. 7 is a bottom view thereof;
FIG. 8 is a left side view thereof;
FIG. 9 is a right side view thereof;
FIG. 10 is a front view thereof; and,
FIG. 11 is a rear view thereof.
The broken lines form no part of the claimed design.

1 Claim, 5 Drawing Sheets



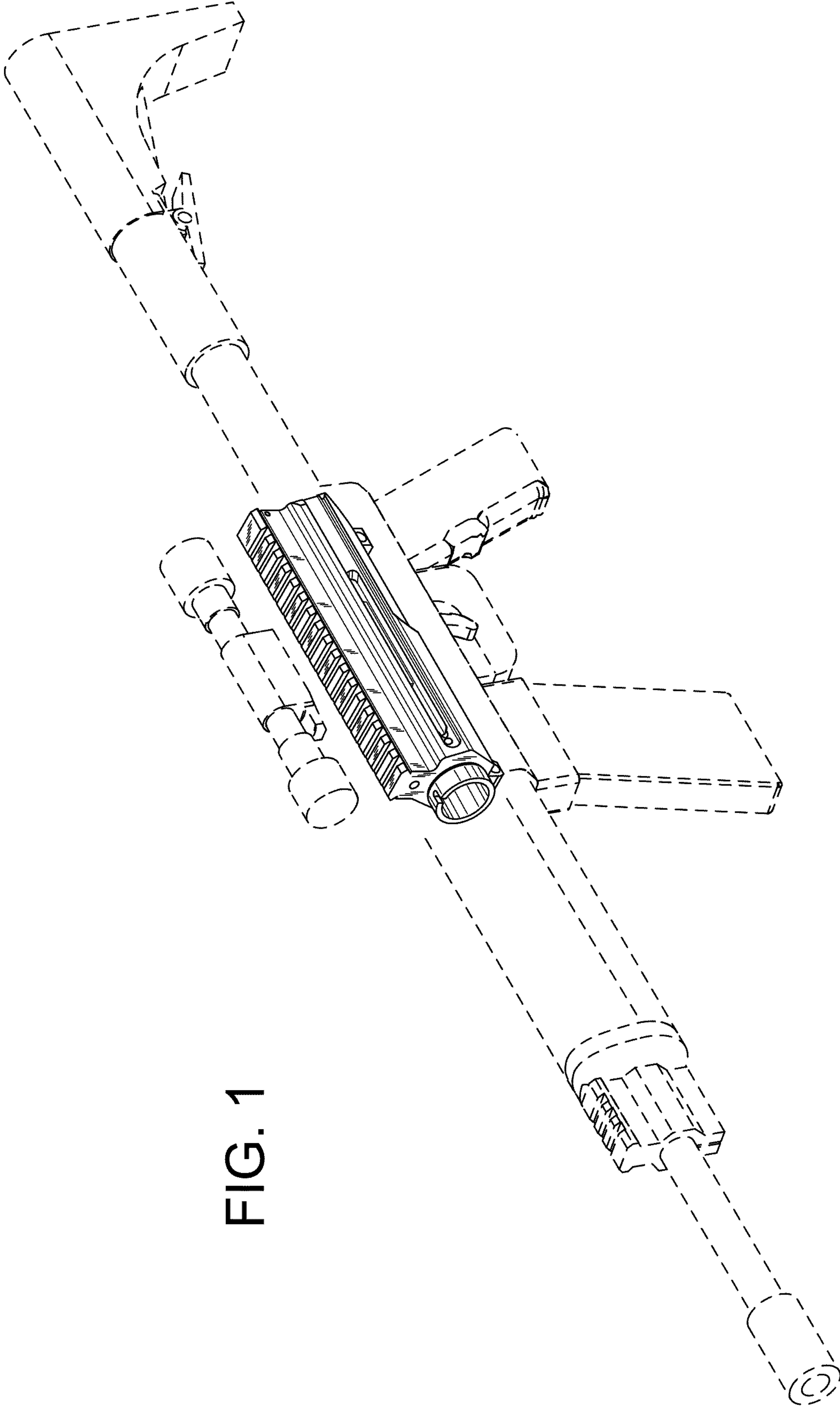


FIG. 1

FIG. 2

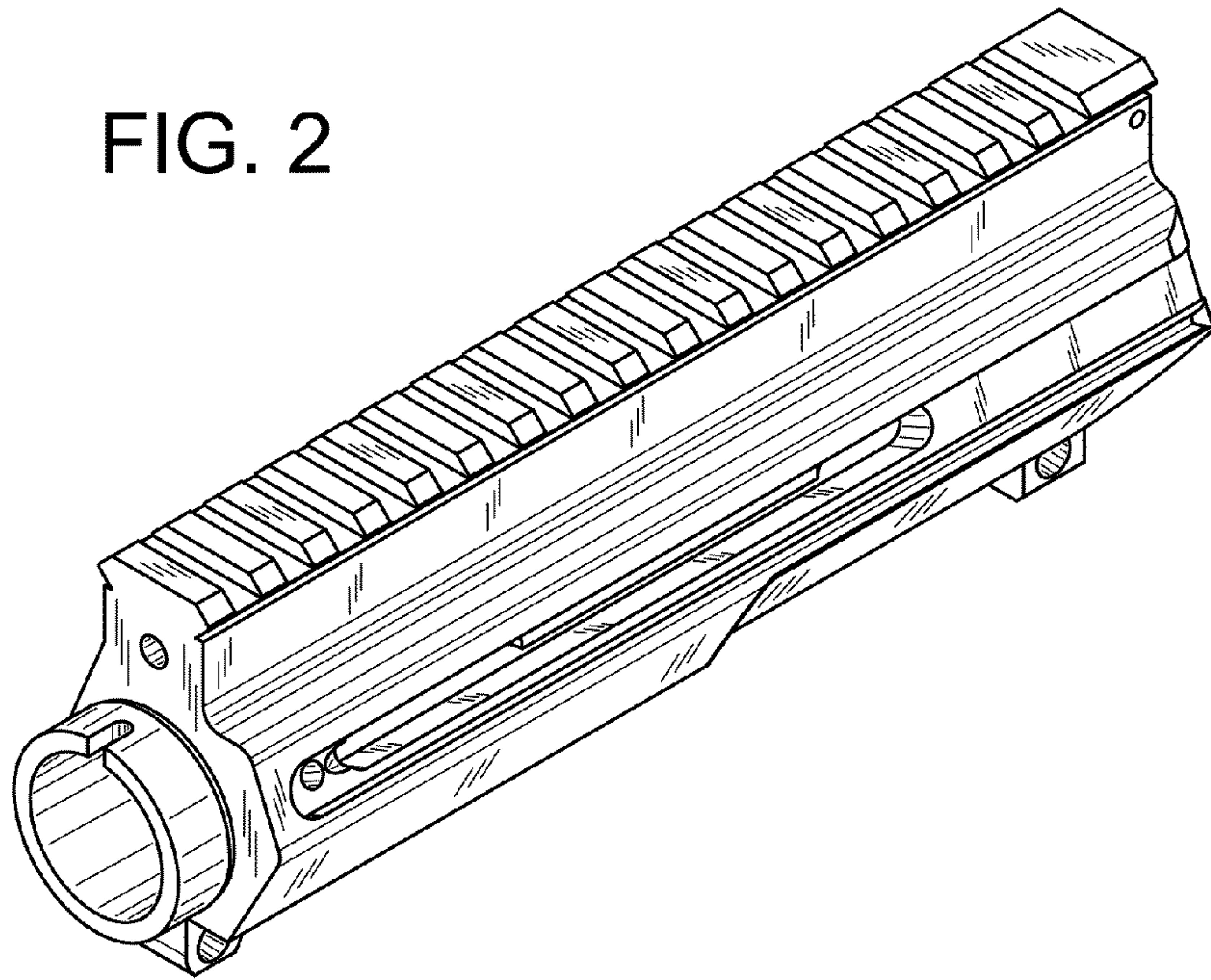


FIG. 3

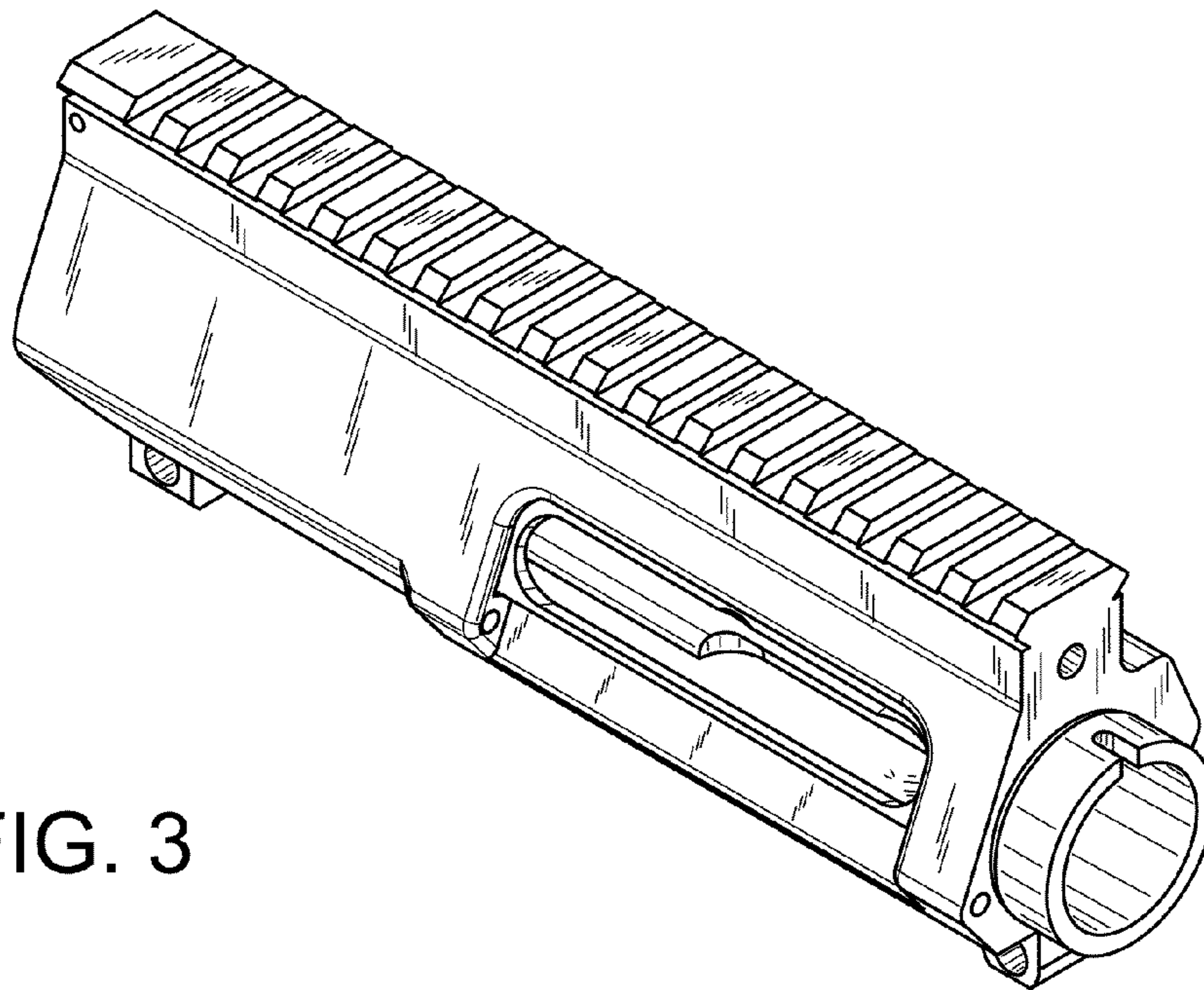


FIG. 4

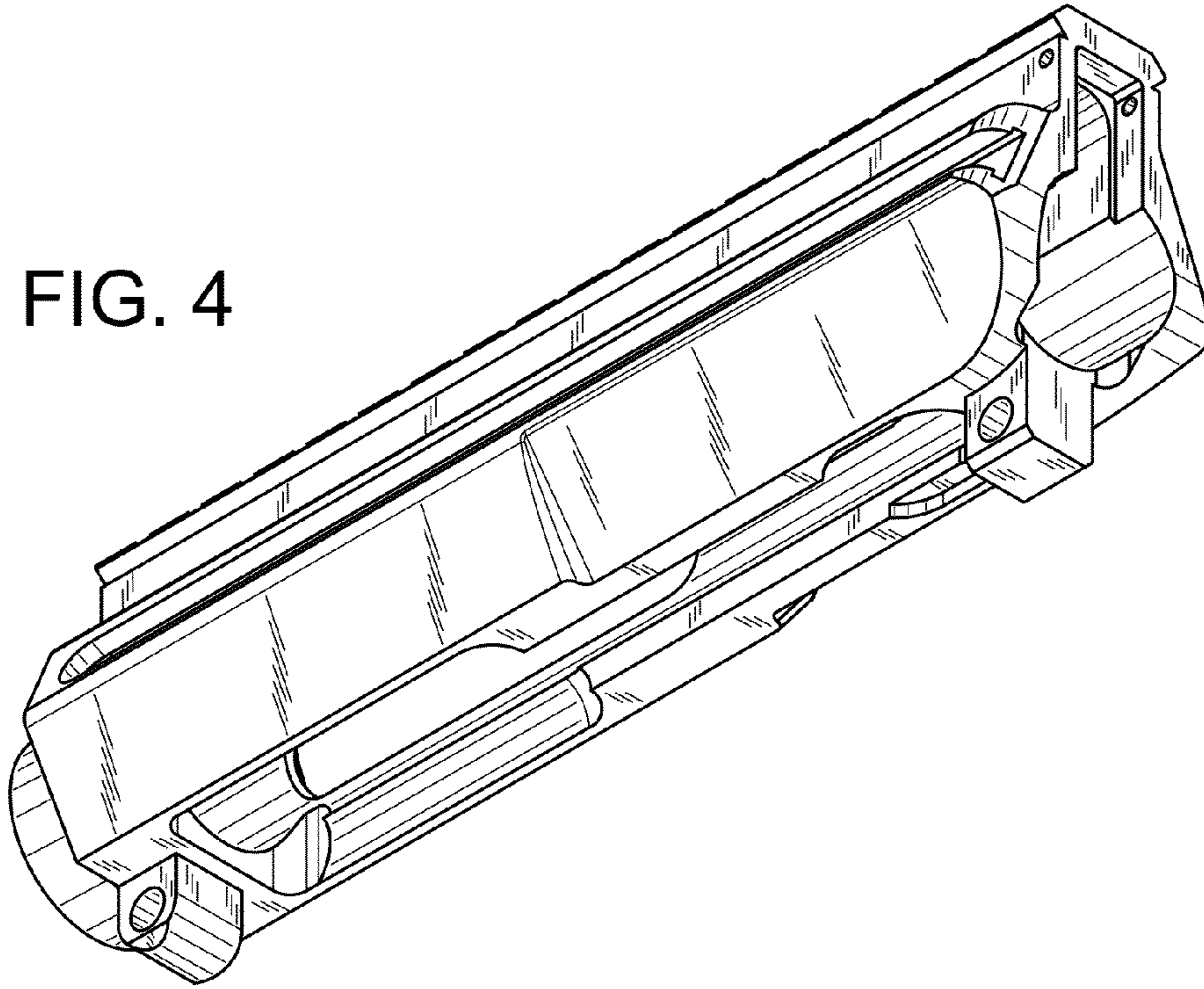


FIG. 5

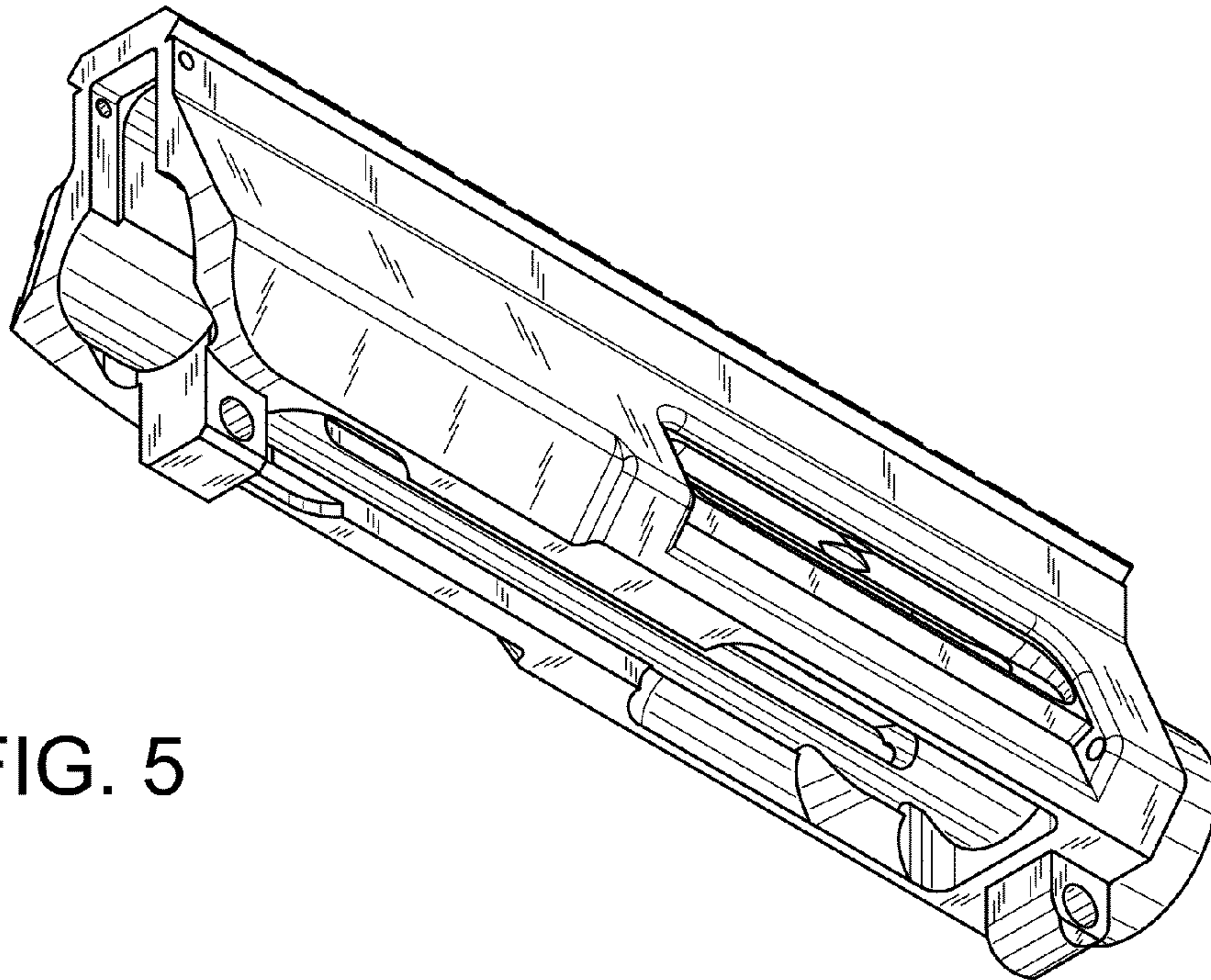




FIG. 6

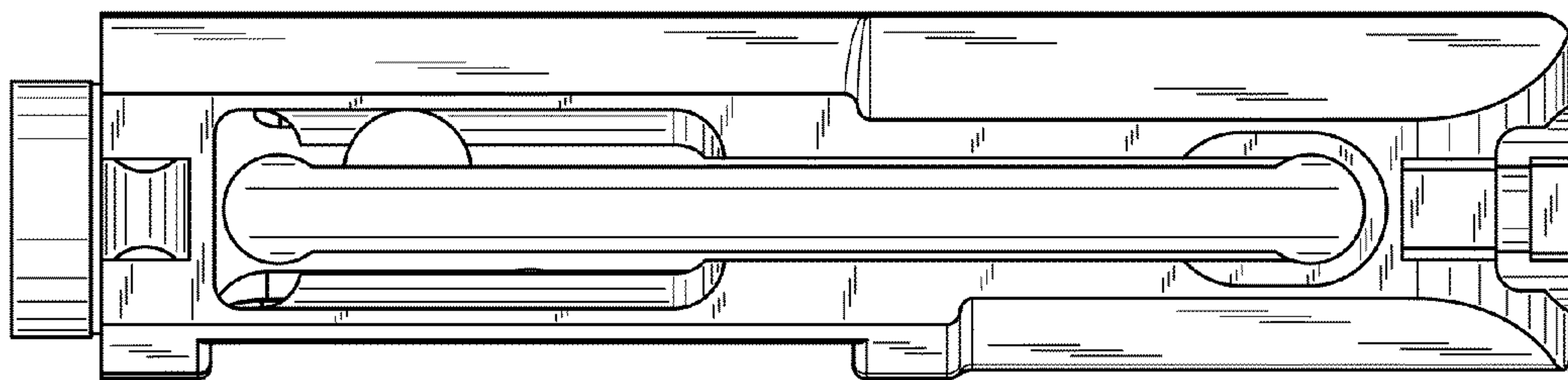


FIG. 7

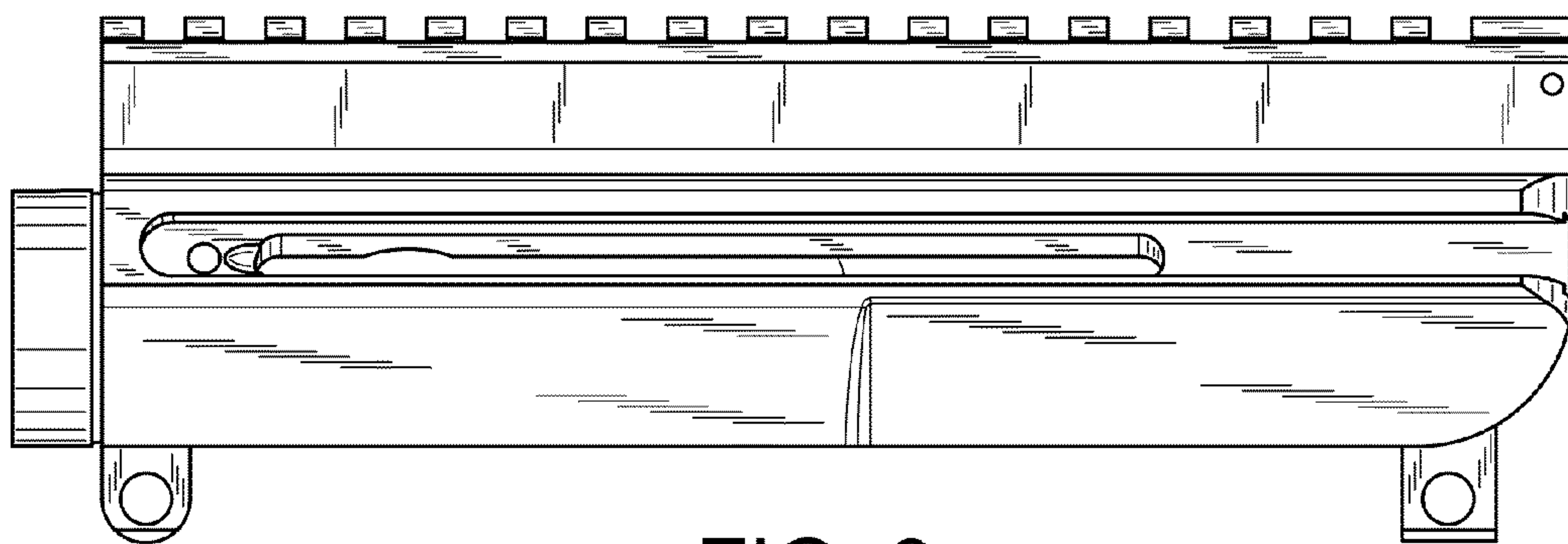


FIG. 8

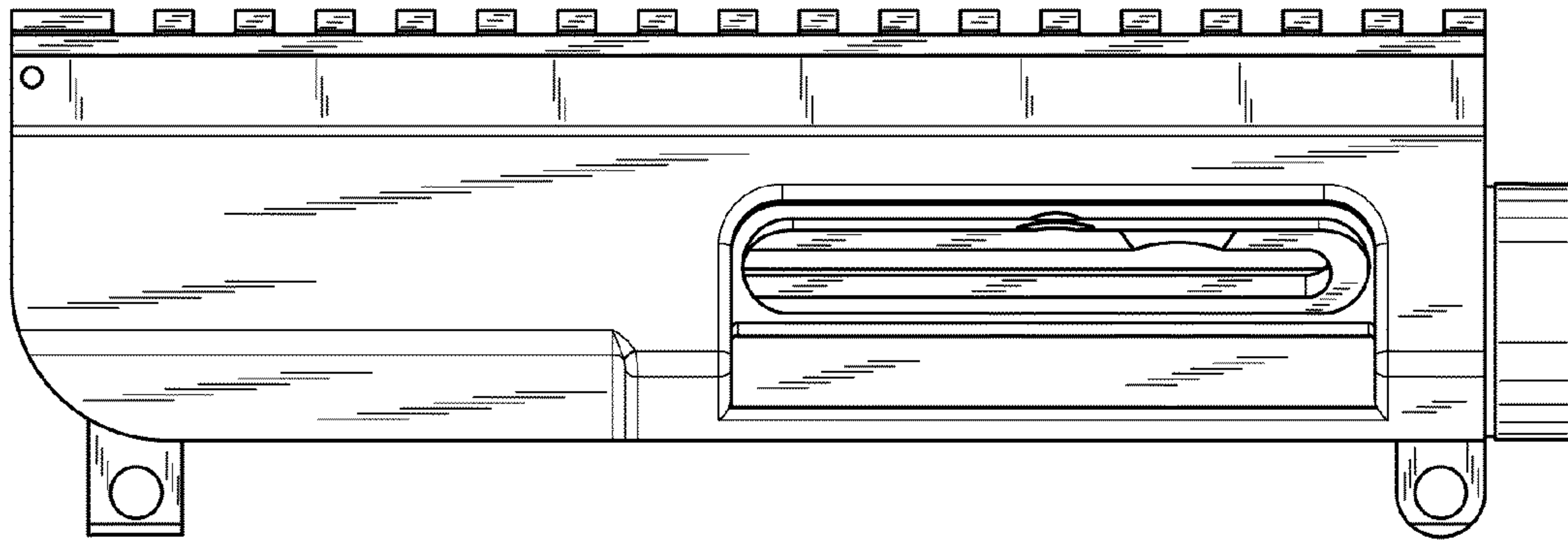


FIG. 9

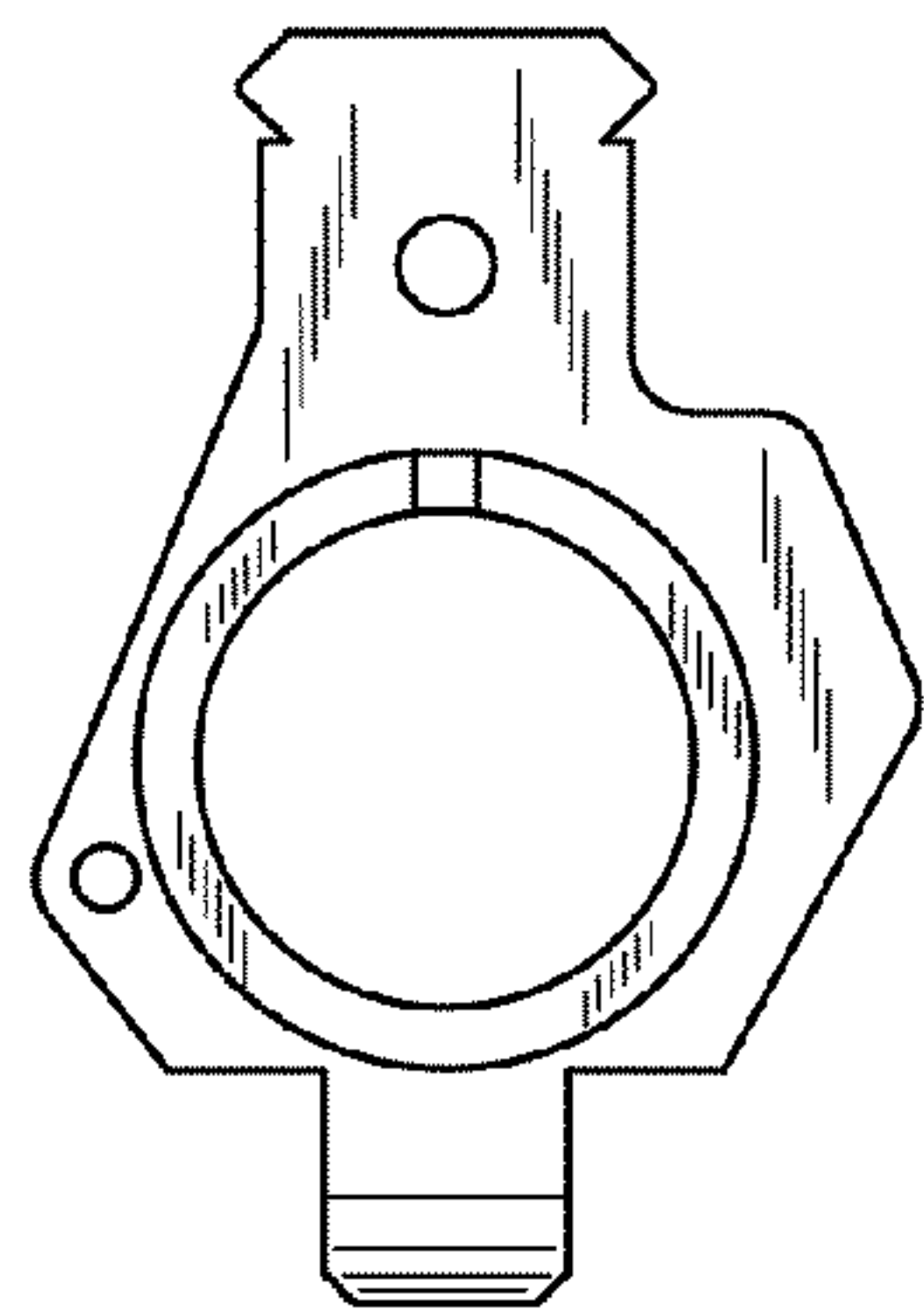


FIG. 10

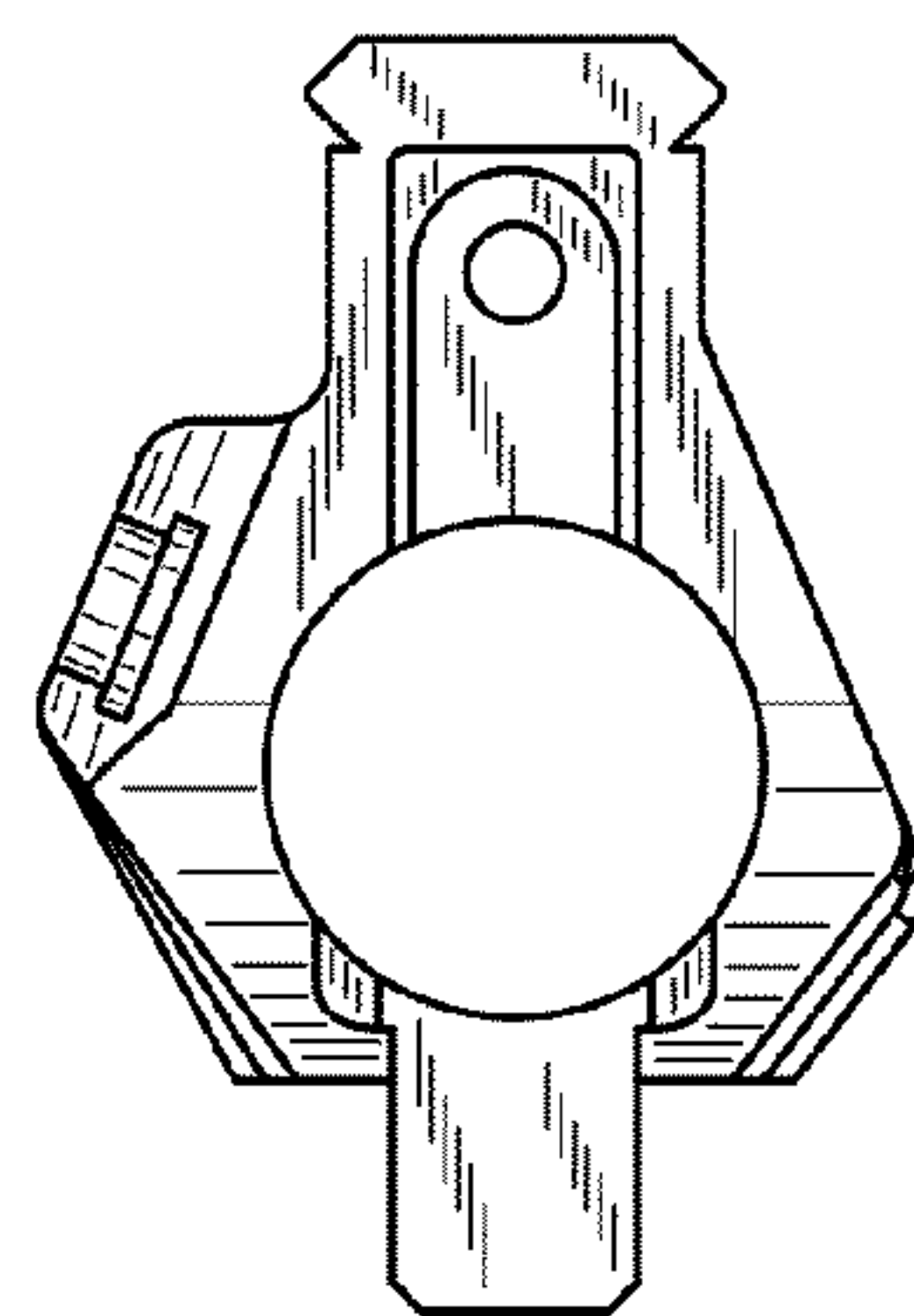


FIG. 11