



US00D720031S

(12) **United States Design Patent**
Buffoni

(10) **Patent No.:** **US D720,031 S**
(45) **Date of Patent:** **** Dec. 23, 2014**

(54) **COMPENSATOR**

(71) Applicant: **Bravo Company USA, Inc.**, Hartland, WI (US)

(72) Inventor: **Paul Buffoni**, Hartland, WI (US)

(73) Assignee: **Bravo Company USA, Inc.**, Hartland, WI (US)

(**) Term: **14 Years**

(21) Appl. No.: **29/458,771**

(22) Filed: **Jun. 21, 2013**

(51) **LOC (10) Cl.** **22-01**

(52) **U.S. Cl.**
USPC **D22/108**

(58) **Field of Classification Search**

CPC F41A 21/00; F41A 21/02; F41A 21/24;
F41A 21/26; F41A 21/28; F41A 21/30;
F41A 21/32; F41A 21/35; F41A 21/36;
F41A 21/38; F41A 21/40; F41A 21/42
USPC D22/103, 108; D21/572-575; 42/1.06,
42/107, 76.02-76.1; 89/14.1-14.8, 14.05,
89/177; 181/223

See application file for complete search history.

(56) **References Cited**

U.S. PATENT DOCUMENTS

2,124,075 A * 7/1938 Moore 89/14.1
5,092,223 A * 3/1992 Hudson 89/14.2

(Continued)

Primary Examiner — Michael A Pratt

(74) *Attorney, Agent, or Firm* — Lewis Roca Rothgerber LLP

(57) **CLAIM**

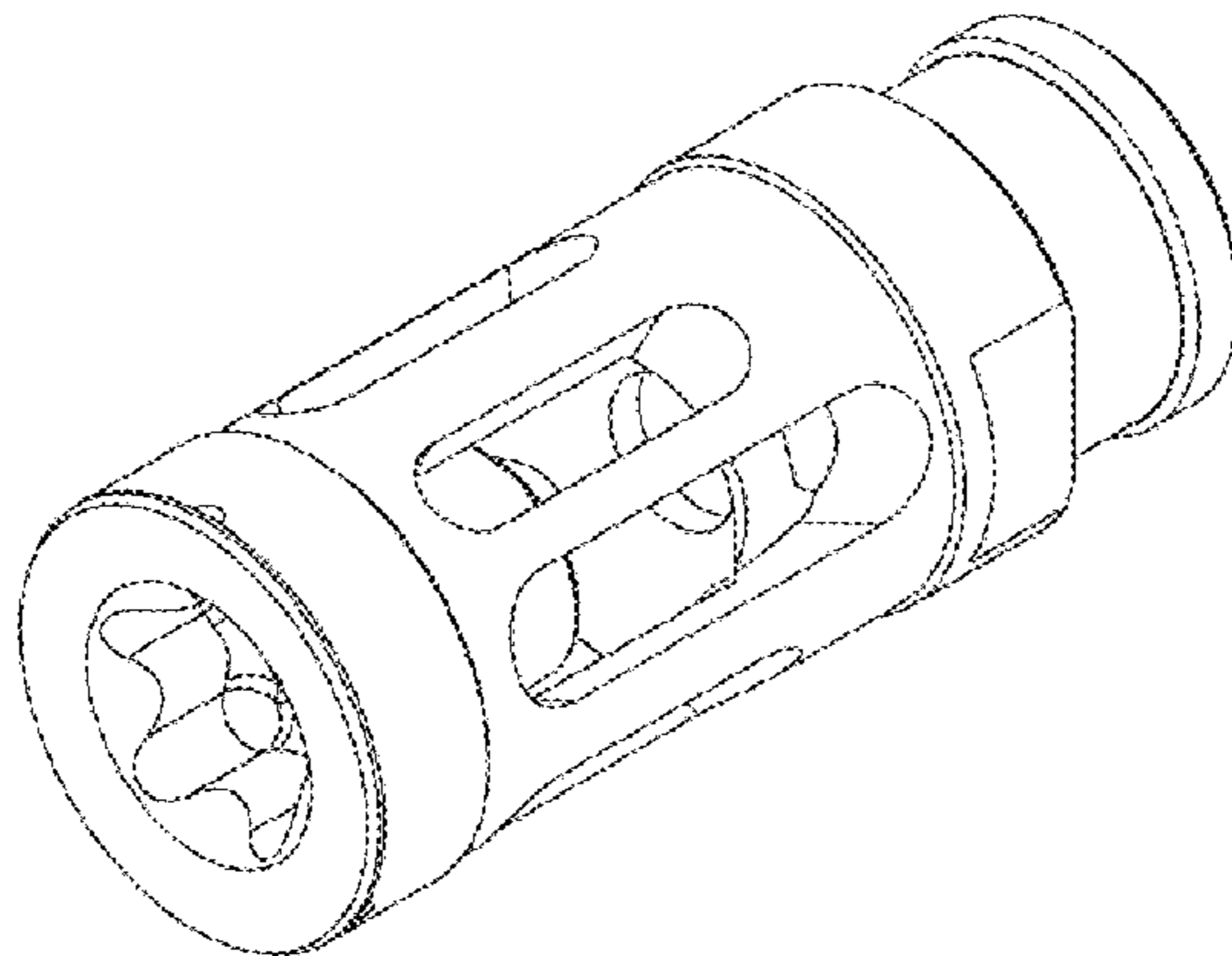
The ornamental design for a compensator, as shown and described.

DESCRIPTION

FIG. 1 is a perspective view of the compensator;
FIG. 2 is a front elevational view of the compensator;

FIG. 3 is a rear elevational view of the compensator;
FIG. 4 is a left-side elevational view of the compensator;
FIG. 5 is a right-side elevational view of the compensator;
FIG. 6 is a top plan view of the compensator;
FIG. 7 is a bottom plan view of the compensator;
FIG. 8 is a front elevational view of an internal structure of the compensator, which is a mirror image of the rear, right side, and left side views;
FIG. 9 is a perspective view of an alternate embodiment of the compensator;
FIG. 10 is a front elevational view of the alternate embodiment of the compensator;
FIG. 11 is a rear elevational view of the alternate embodiment of the compensator;
FIG. 12 is a left-side elevational view of the alternate embodiment of the compensator;
FIG. 13 is a right-side elevational view of the alternate embodiment of the compensator;
FIG. 14 is a top plan view of the alternate embodiment of the compensator;
FIG. 15 is a bottom plan view of the alternate embodiment of the compensator;
FIG. 16 is a front elevational view of an internal structure of the alternate embodiment of the compensator, which is a mirror image of the rear, right side, and left side views.
FIG. 17 is a perspective view of a second alternate embodiment of the compensator;
FIG. 18 is a front elevational view of the second alternate embodiment of the compensator;
FIG. 19 is a rear elevational view of the second alternate embodiment of the compensator;
FIG. 20 is a left-side elevational view of the second alternate embodiment of the compensator;
FIG. 21 is a right-side elevational view of the second alternate embodiment of the compensator;
FIG. 22 is a top plan view of the second alternate embodiment of the compensator;
FIG. 23 is a bottom plan view of the second alternate embodiment of the compensator; and,
FIG. 24 is a front elevational view of an internal structure of the second alternate embodiment of the compensator, which is a mirror image of the rear, right side, and left side views.

1 Claim, 24 Drawing Sheets



US D720,031 S

Page 2

(56)

References Cited

U.S. PATENT DOCUMENTS

D349,147 S * 7/1994 Gwinn, Jr. D22/108
5,596,161 A * 1/1997 Sommers 89/14.2
D542,877 S * 5/2007 Murello et al. D22/103

D605,724 S * 12/2009 Heath D22/108
8,418,803 B2 * 4/2013 Findlay 181/223
D692,086 S * 10/2013 Nierenberg D22/108
2005/0115394 A1 * 6/2005 Matthews et al. 89/14.4

* cited by examiner

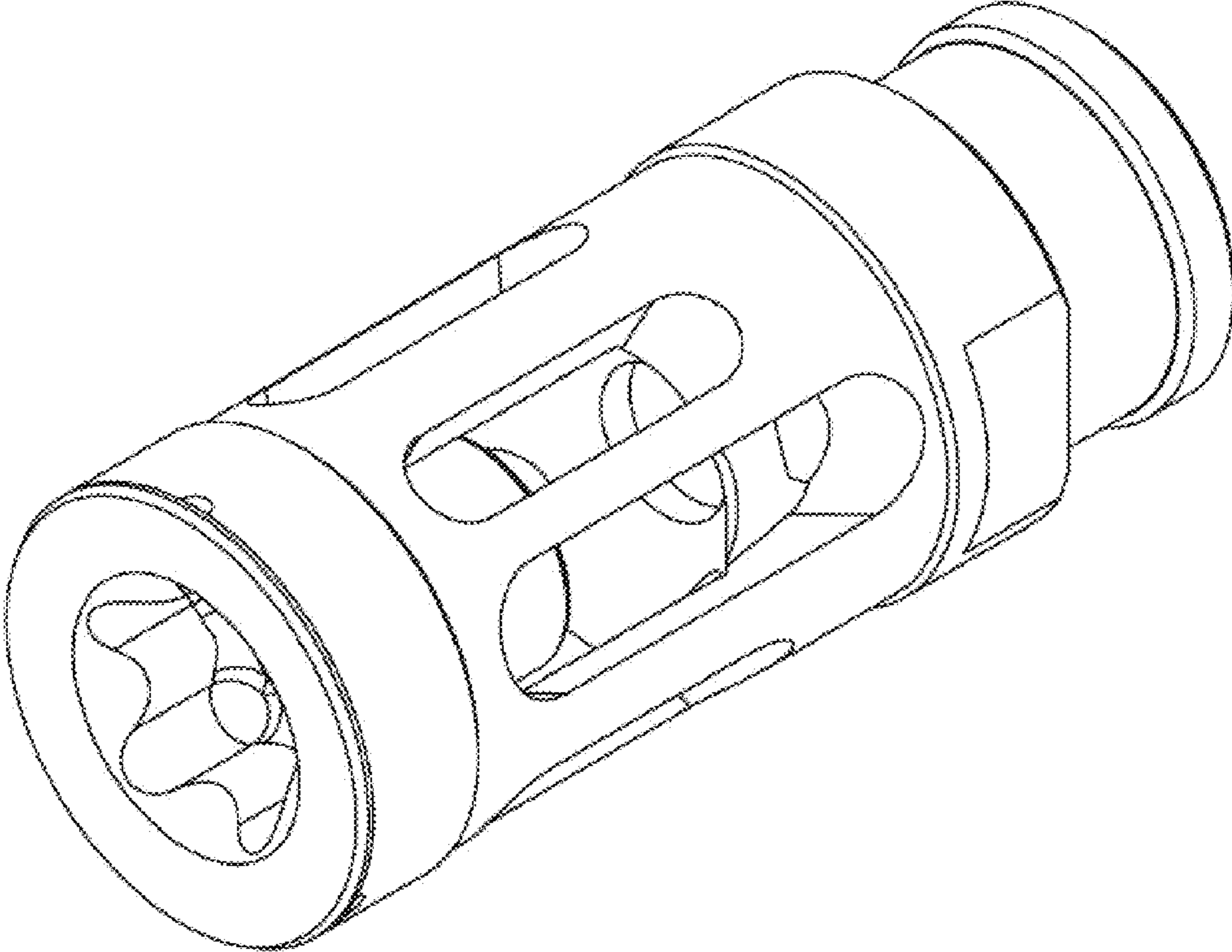


FIG. 1

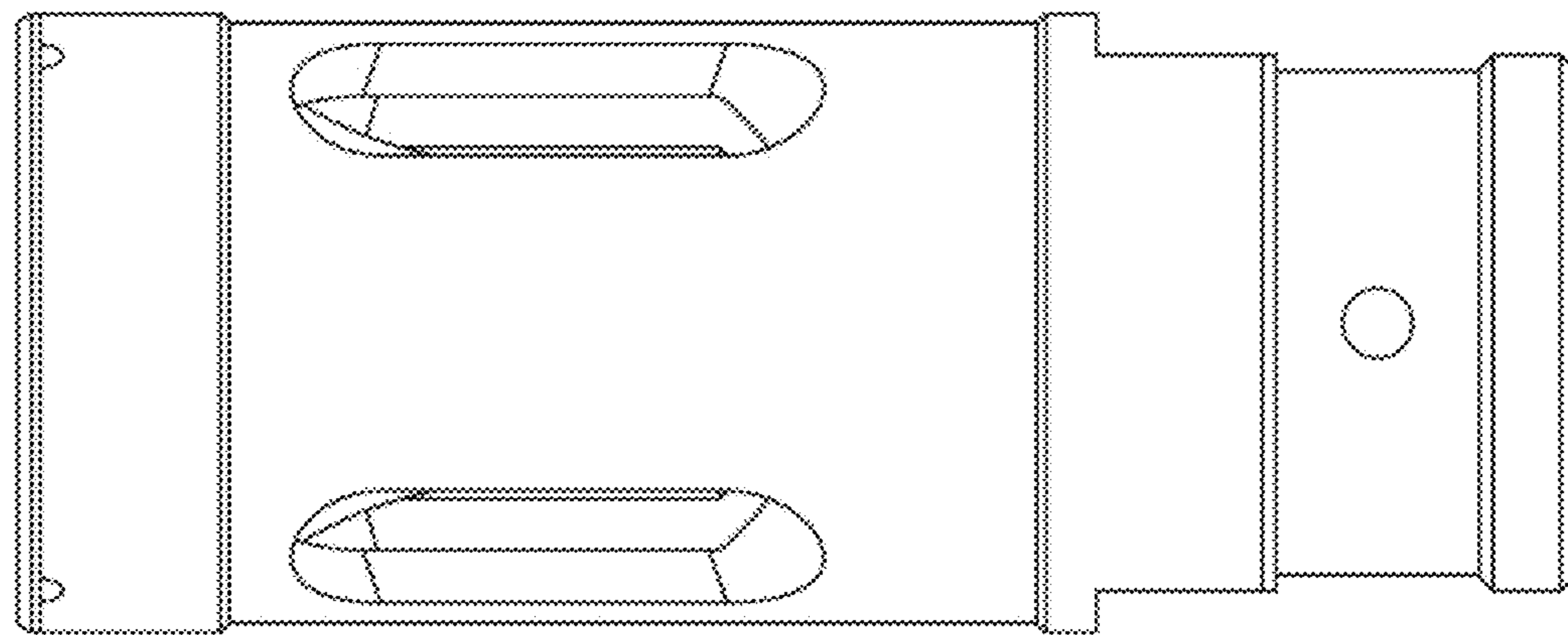


FIG. 2

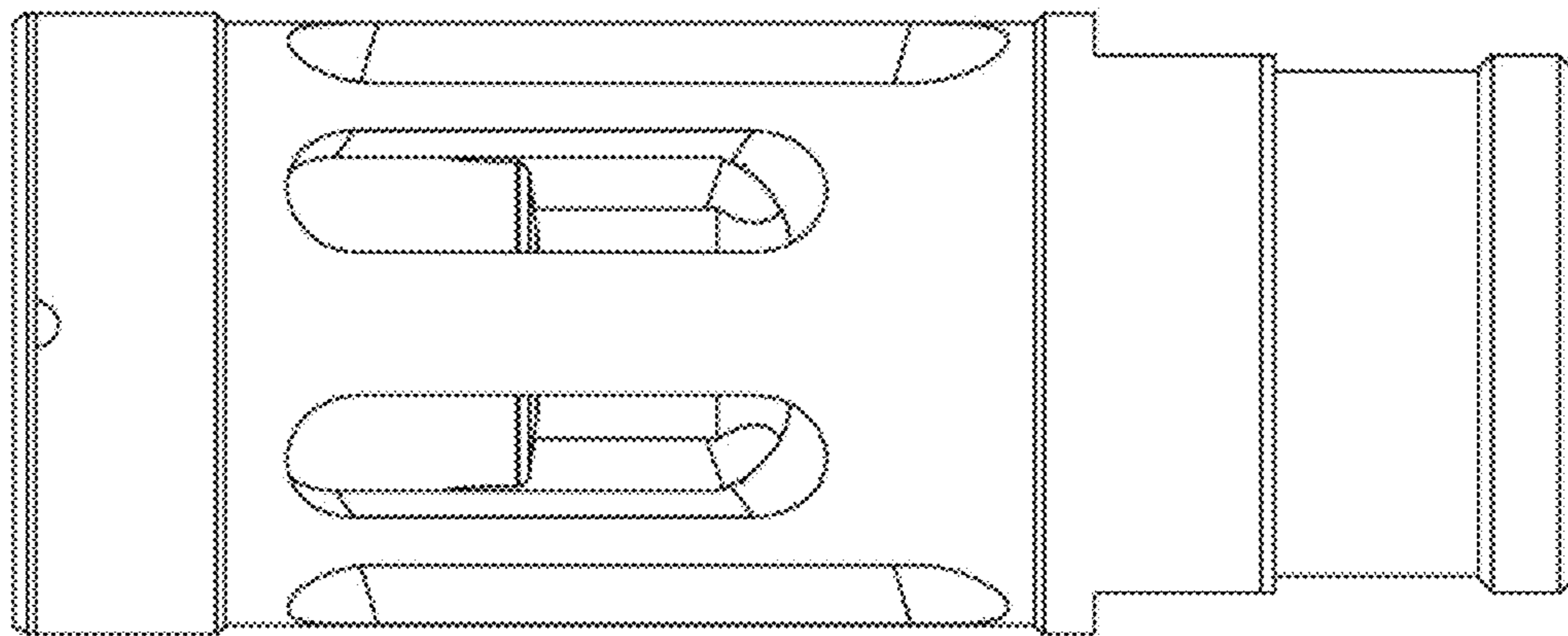


FIG. 3

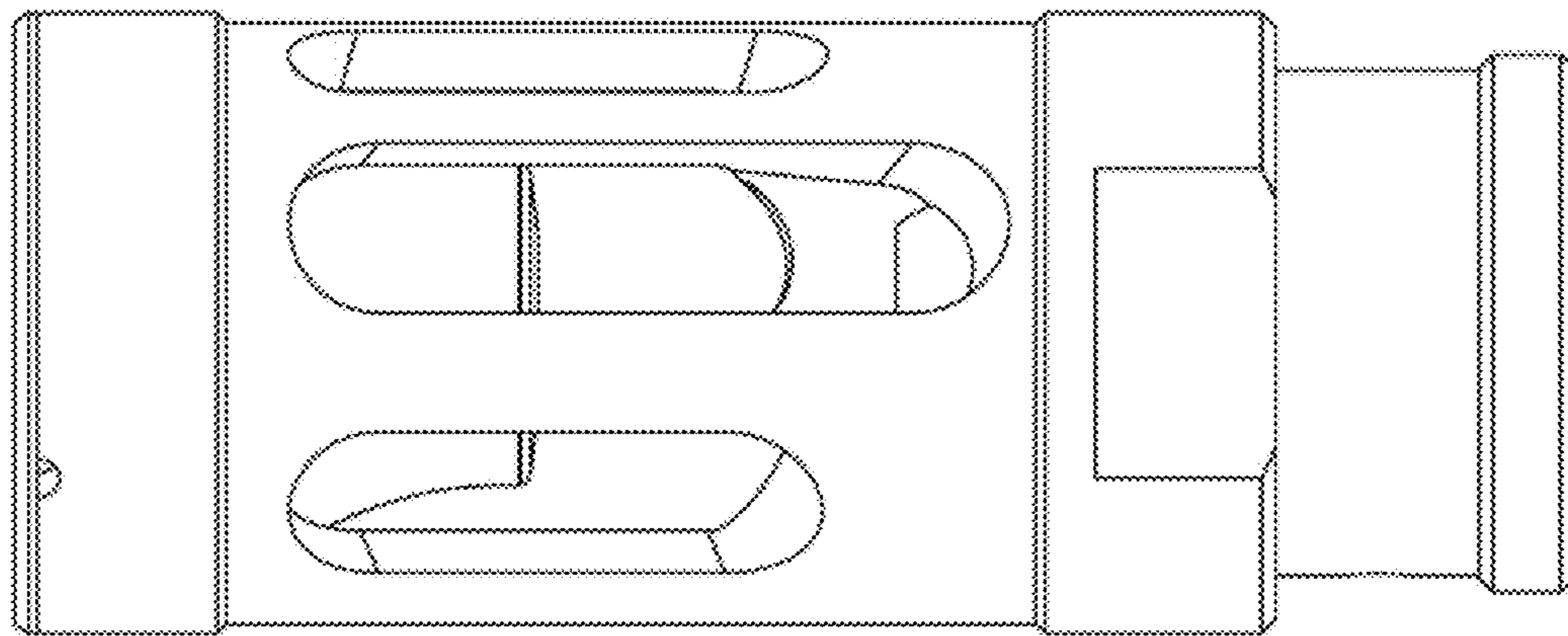


FIG. 4

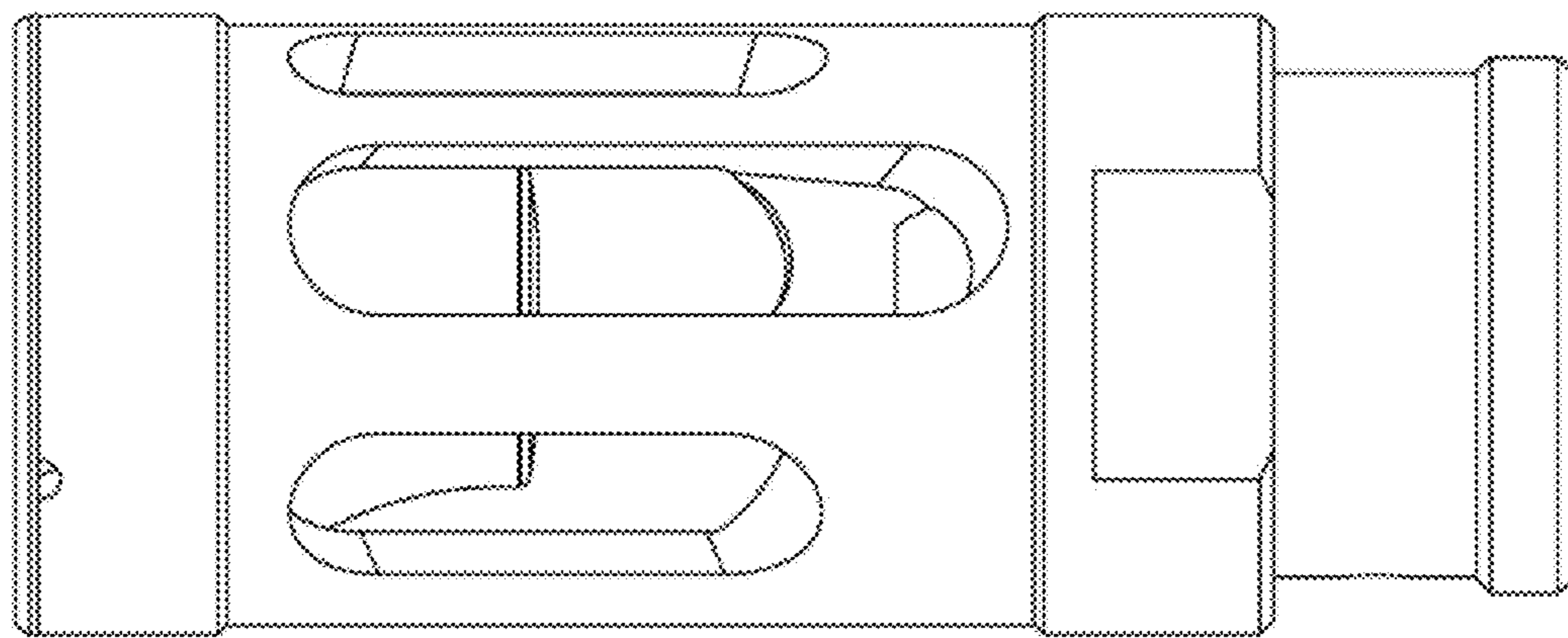


FIG. 5

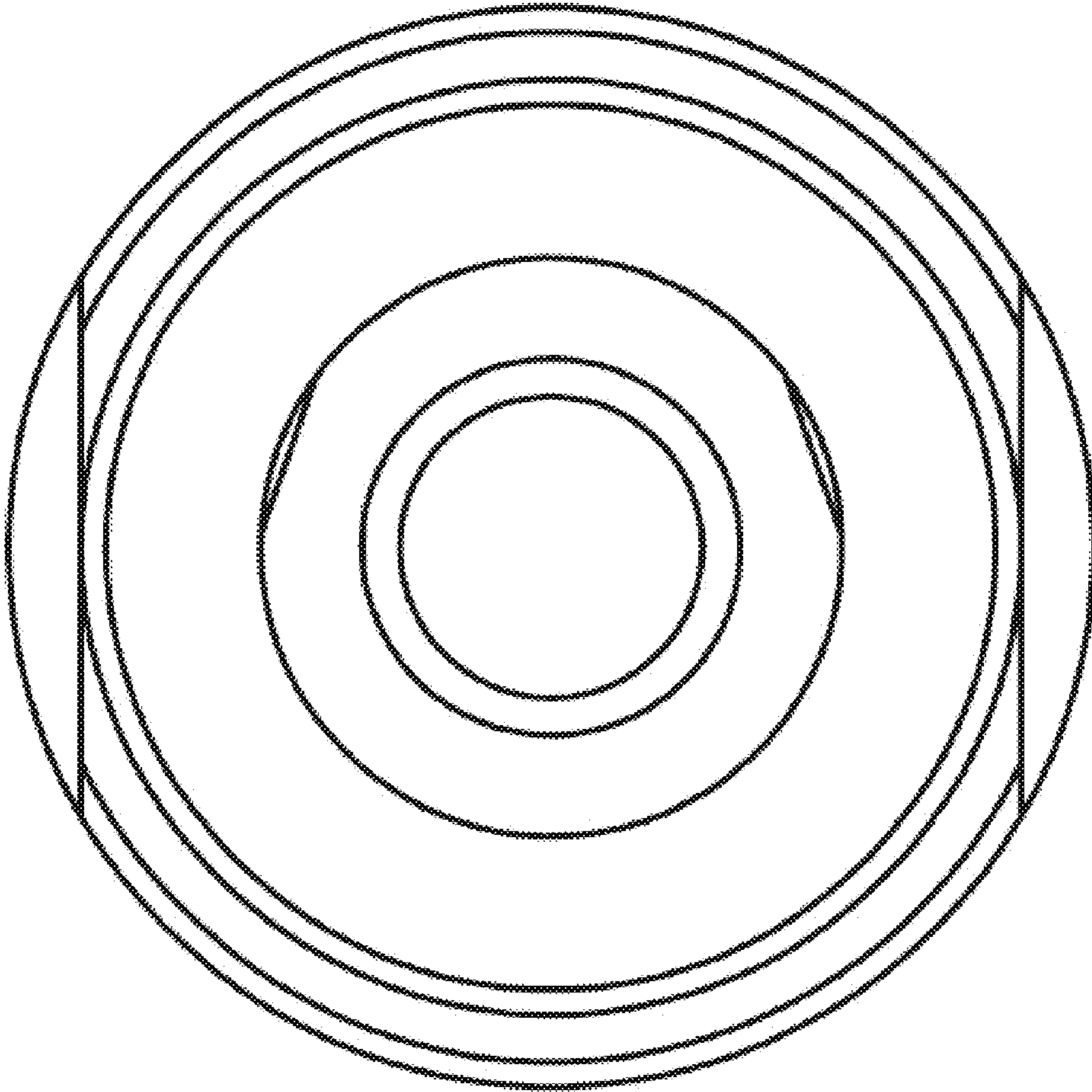


FIG. 6

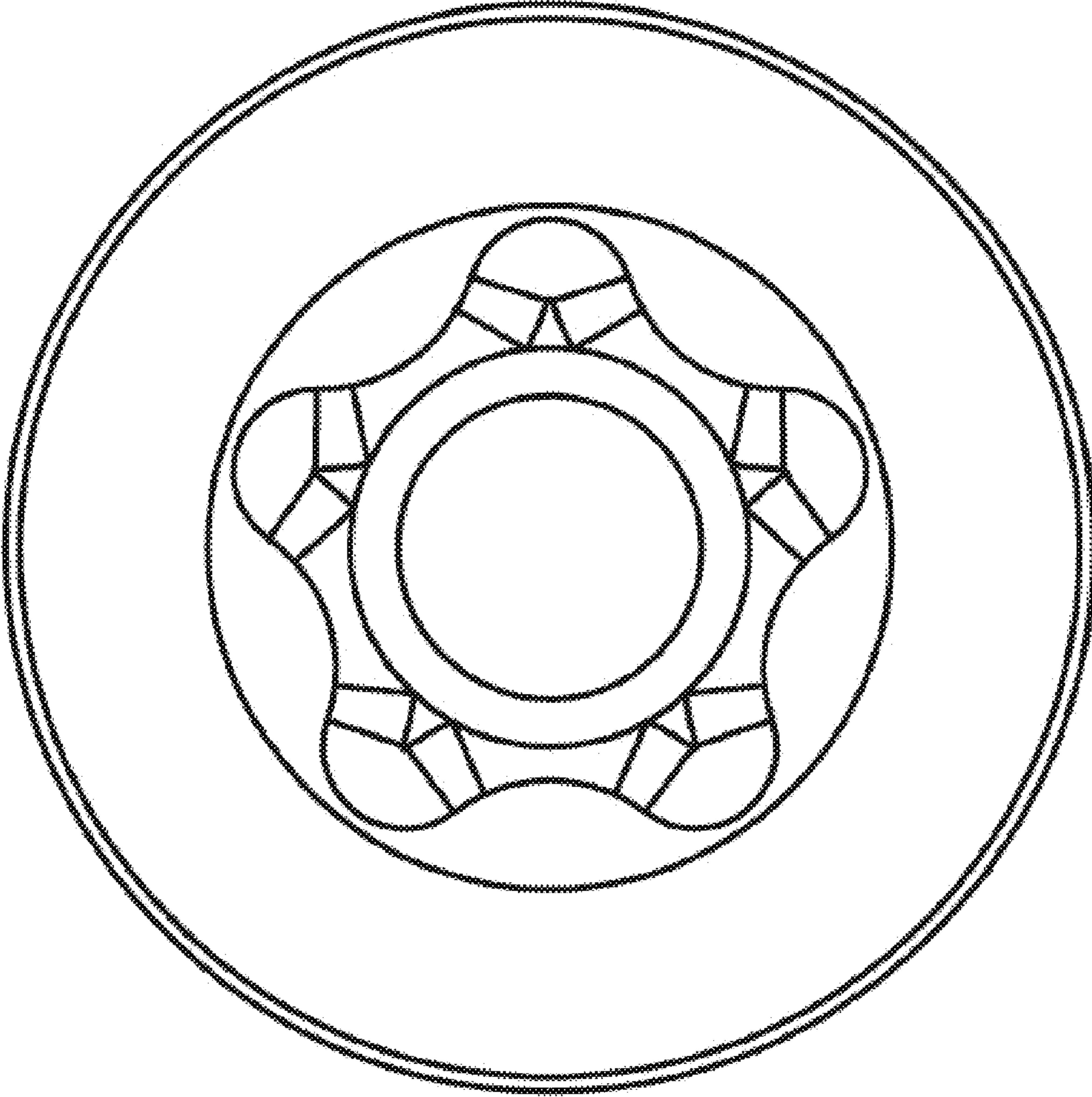


FIG. 7

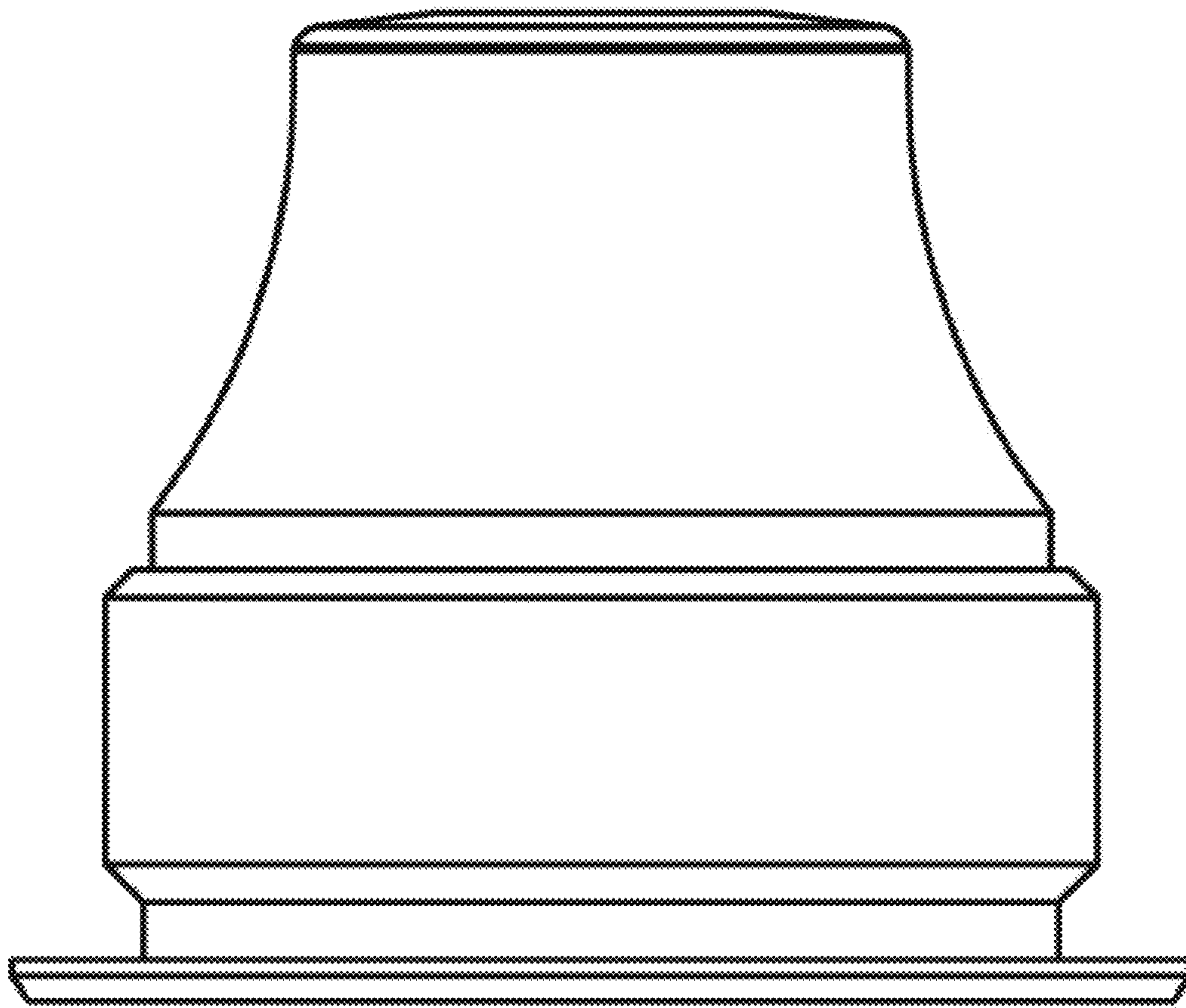


FIG. 8

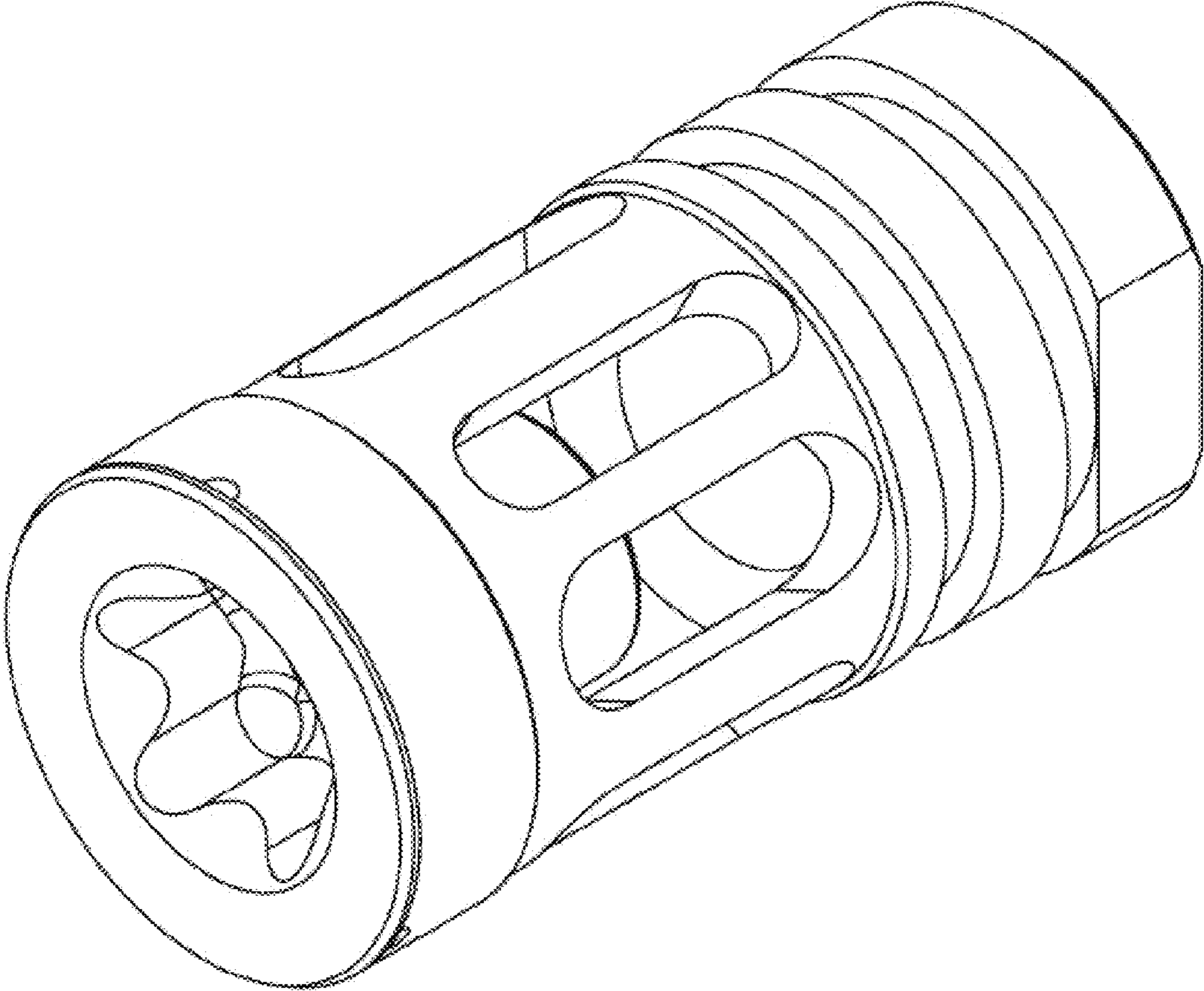


FIG. 9

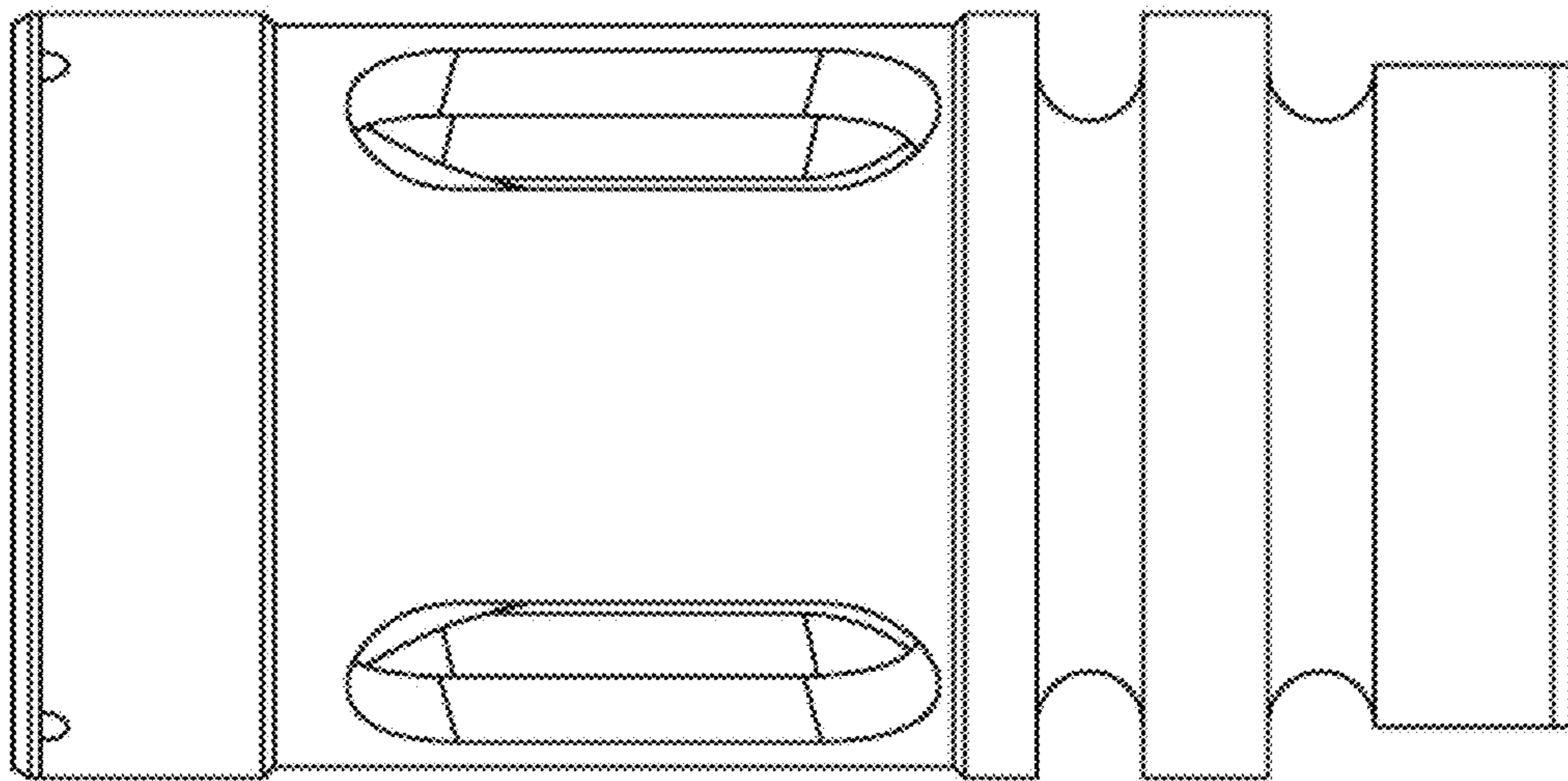


FIG. 10

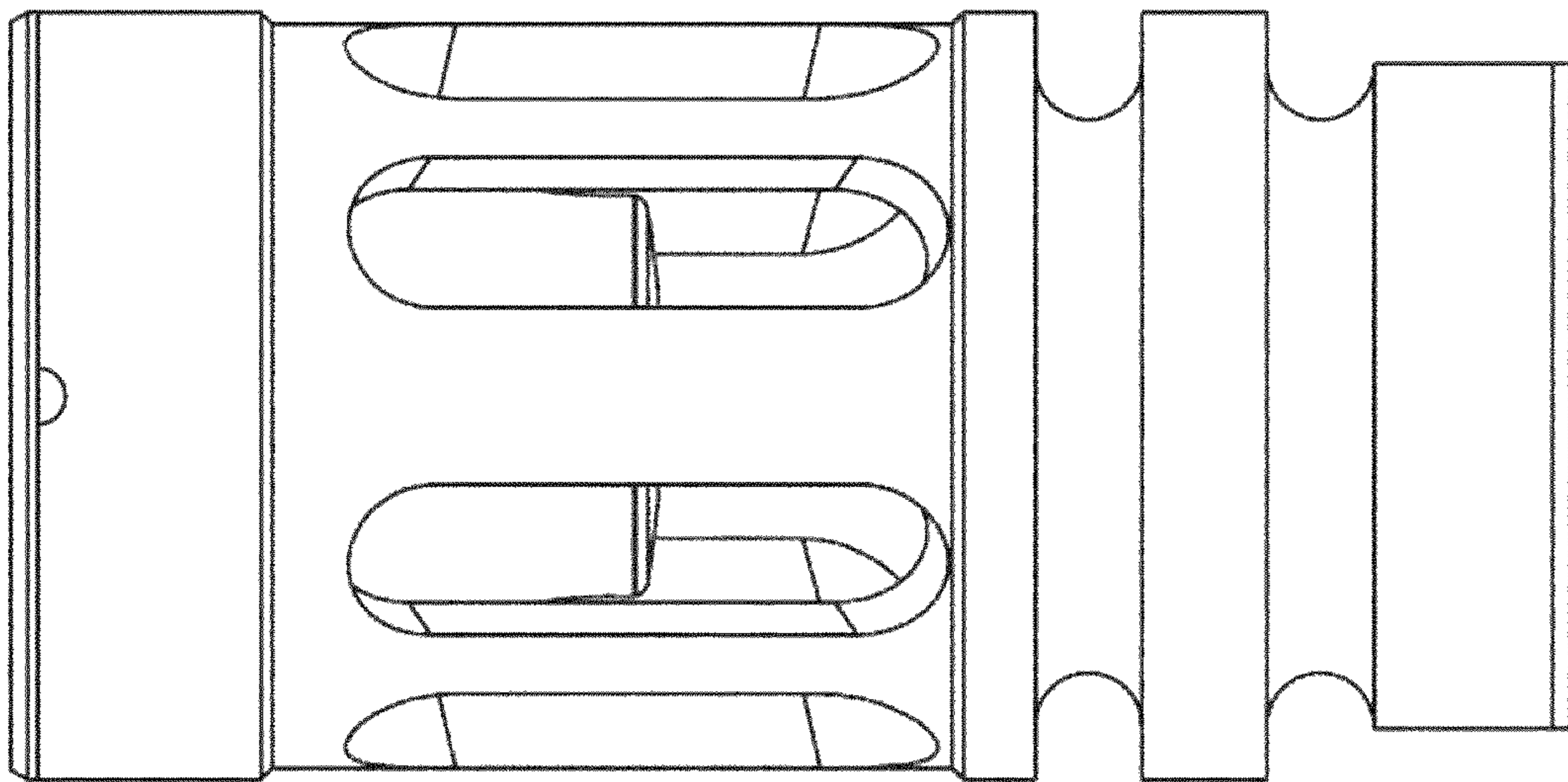


FIG. 11

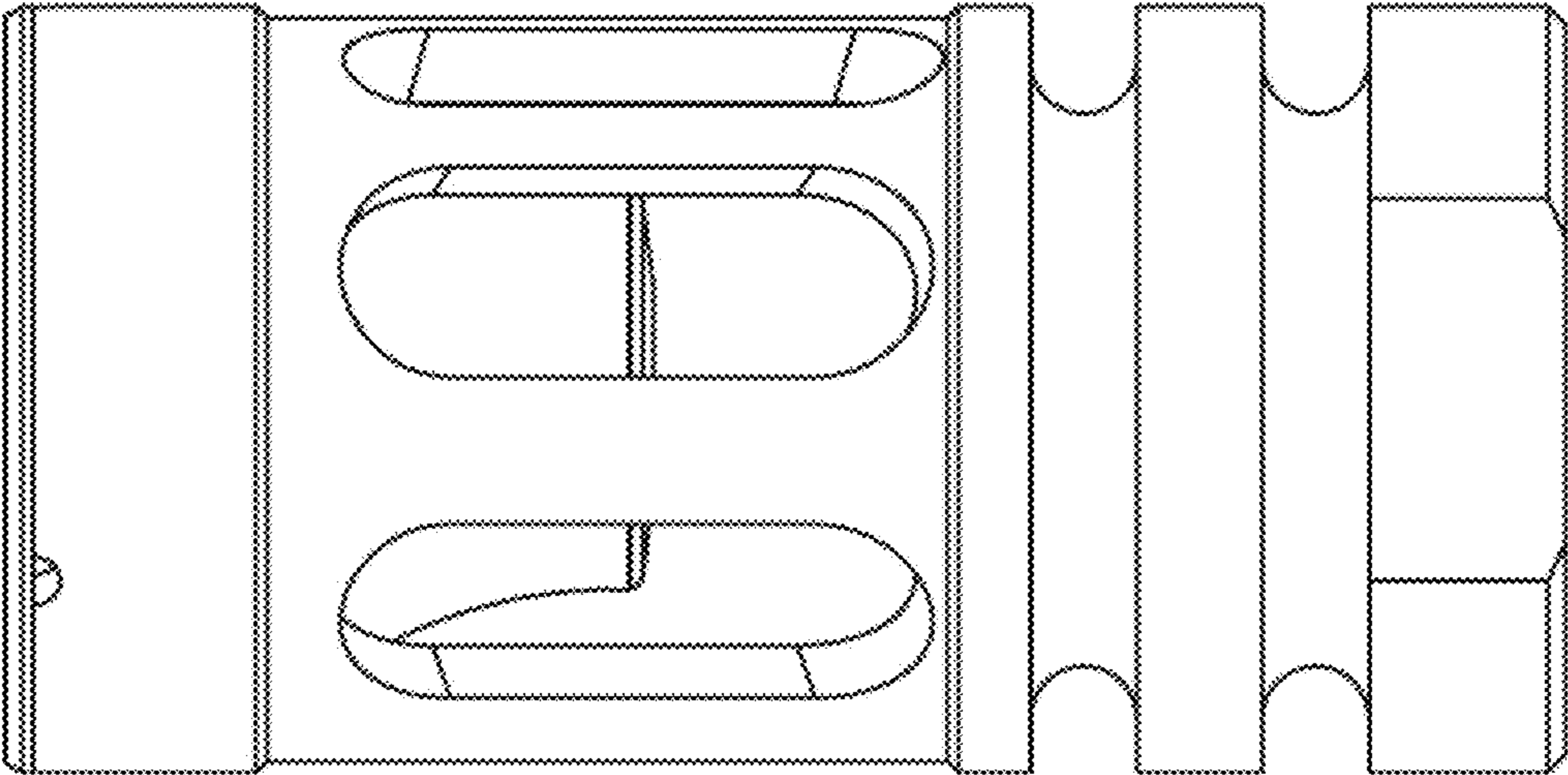


FIG. 12

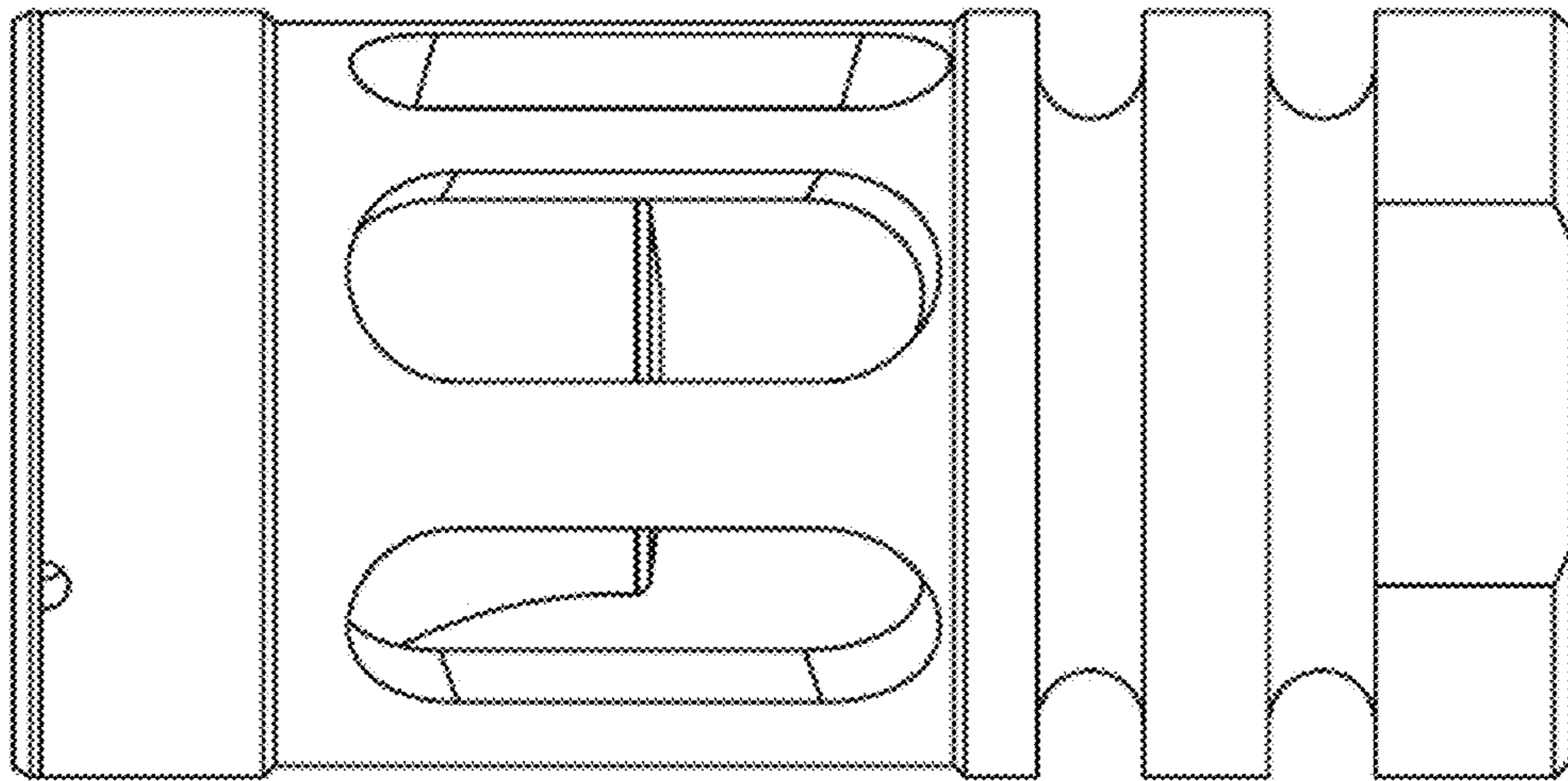


FIG. 13

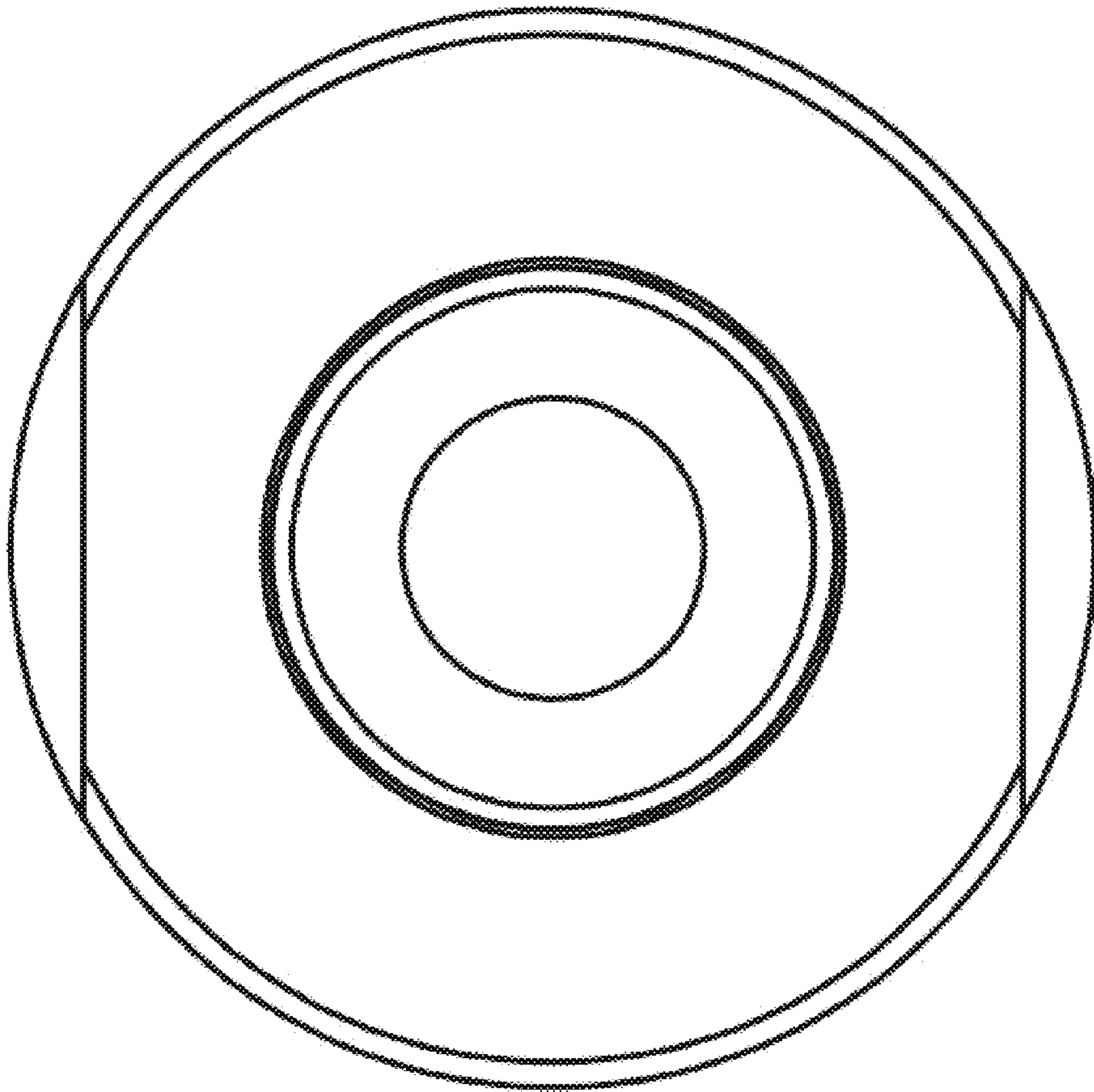


FIG. 14

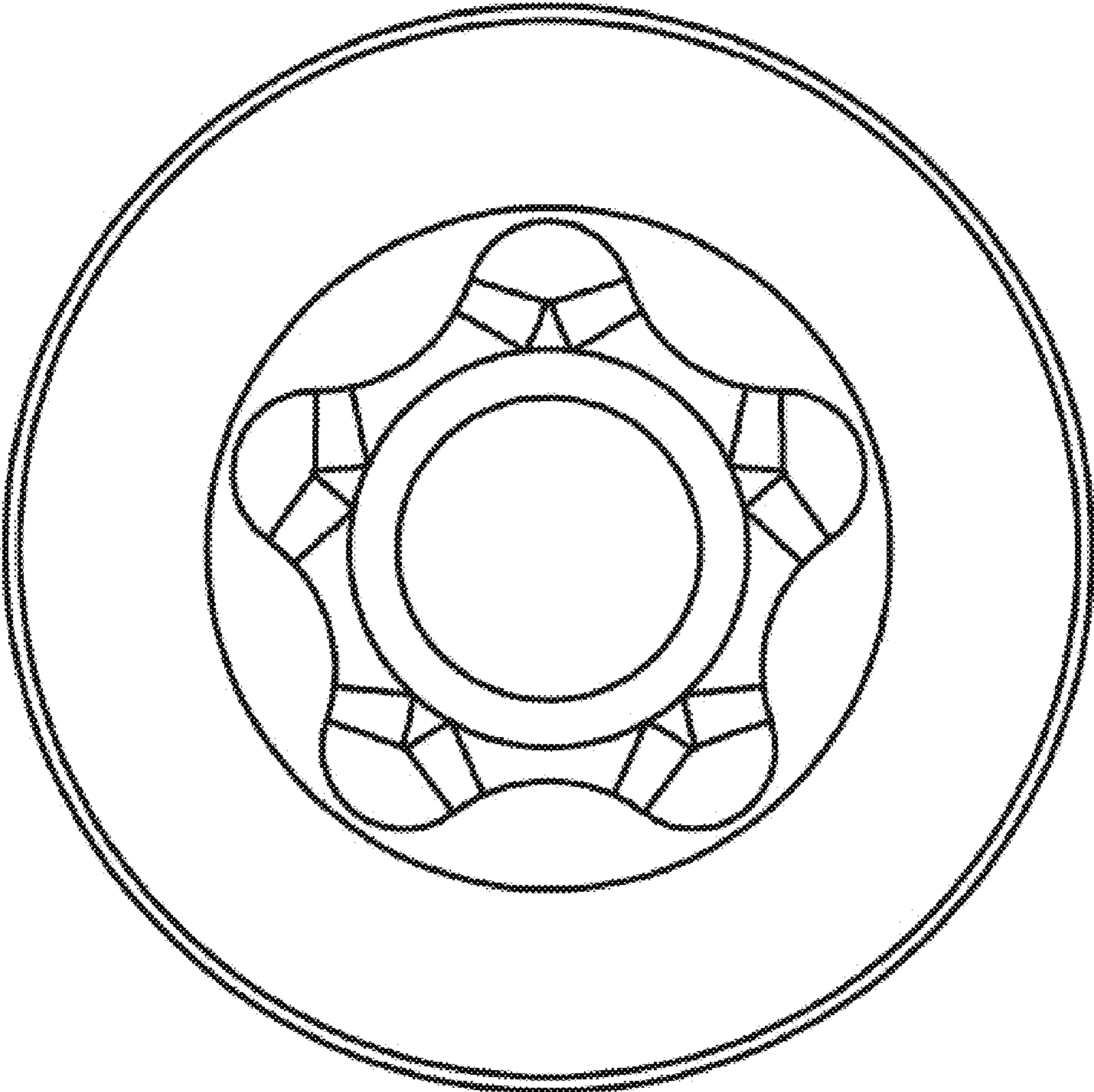


FIG. 15

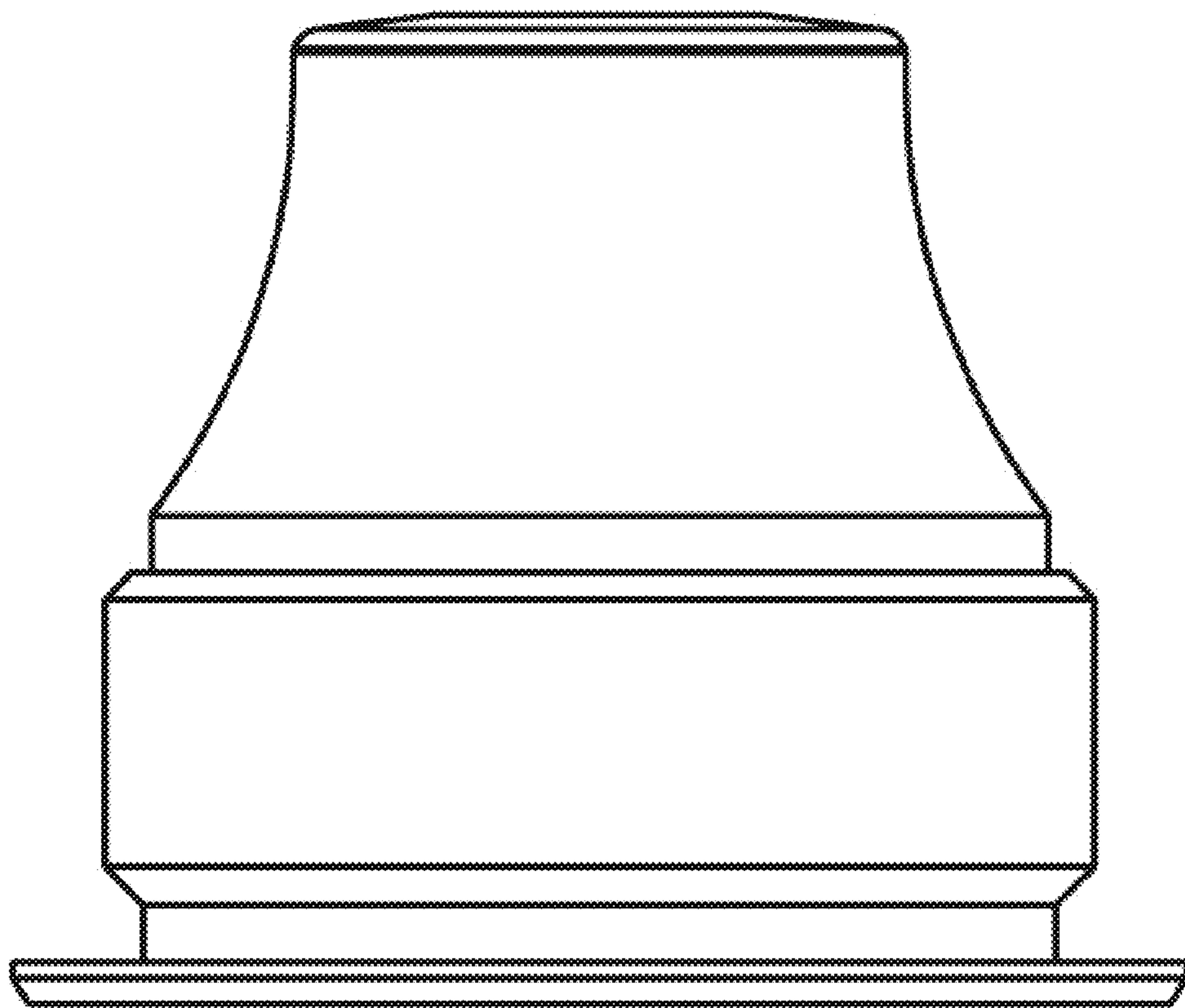


FIG. 16

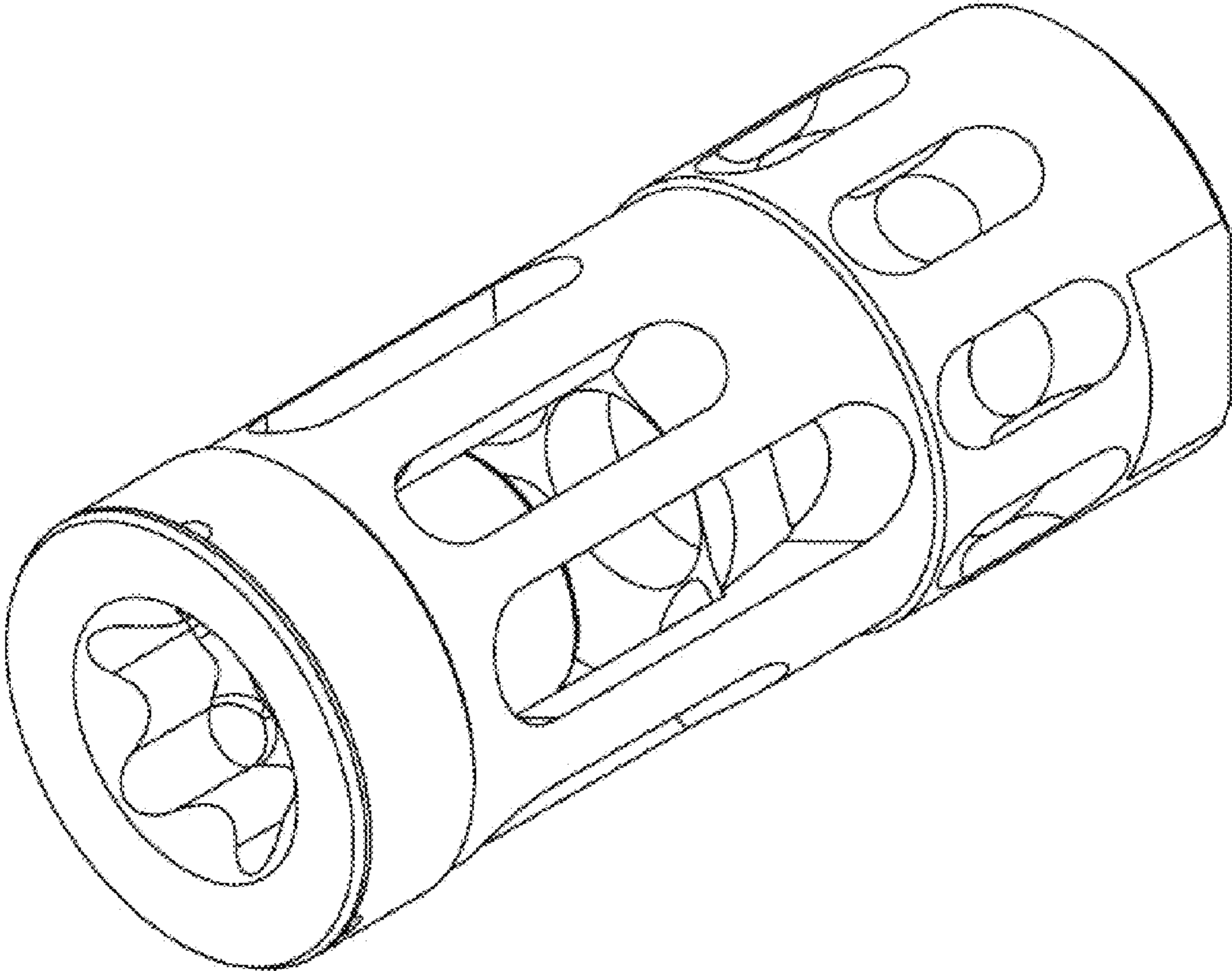


FIG. 17

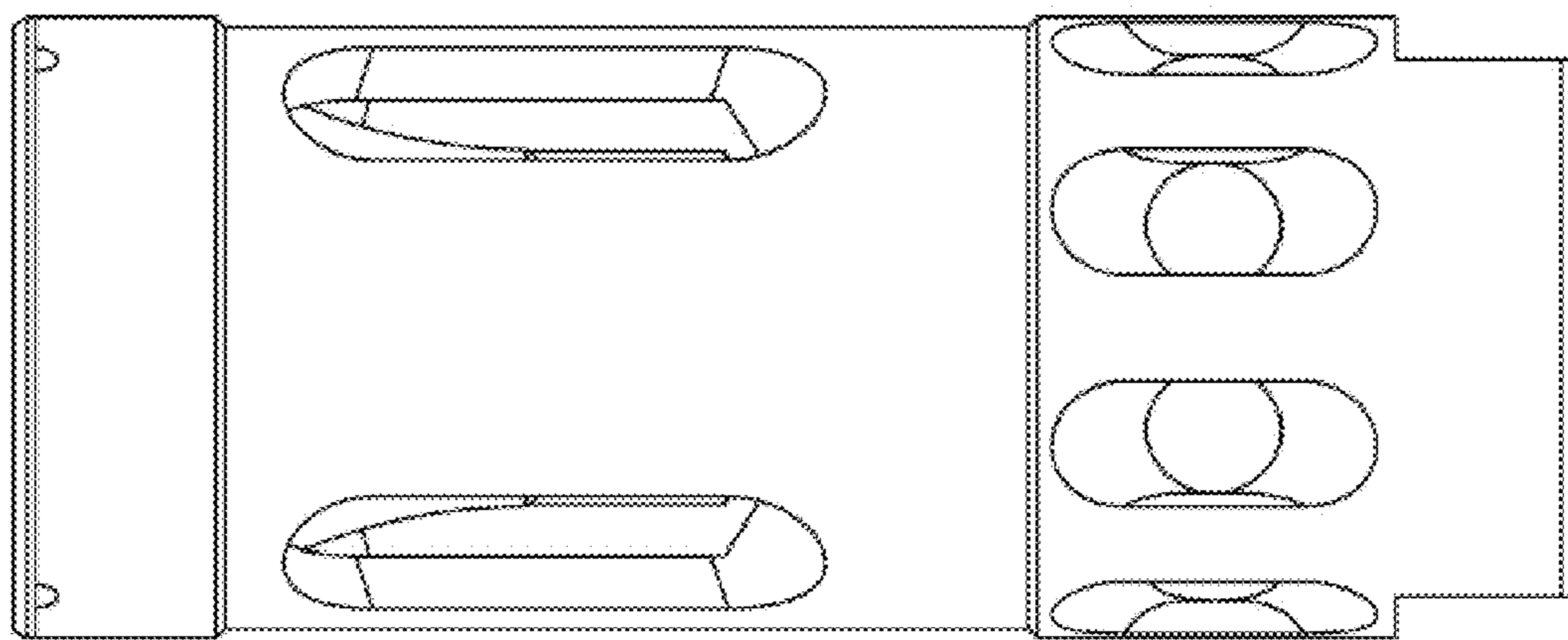


FIG. 18

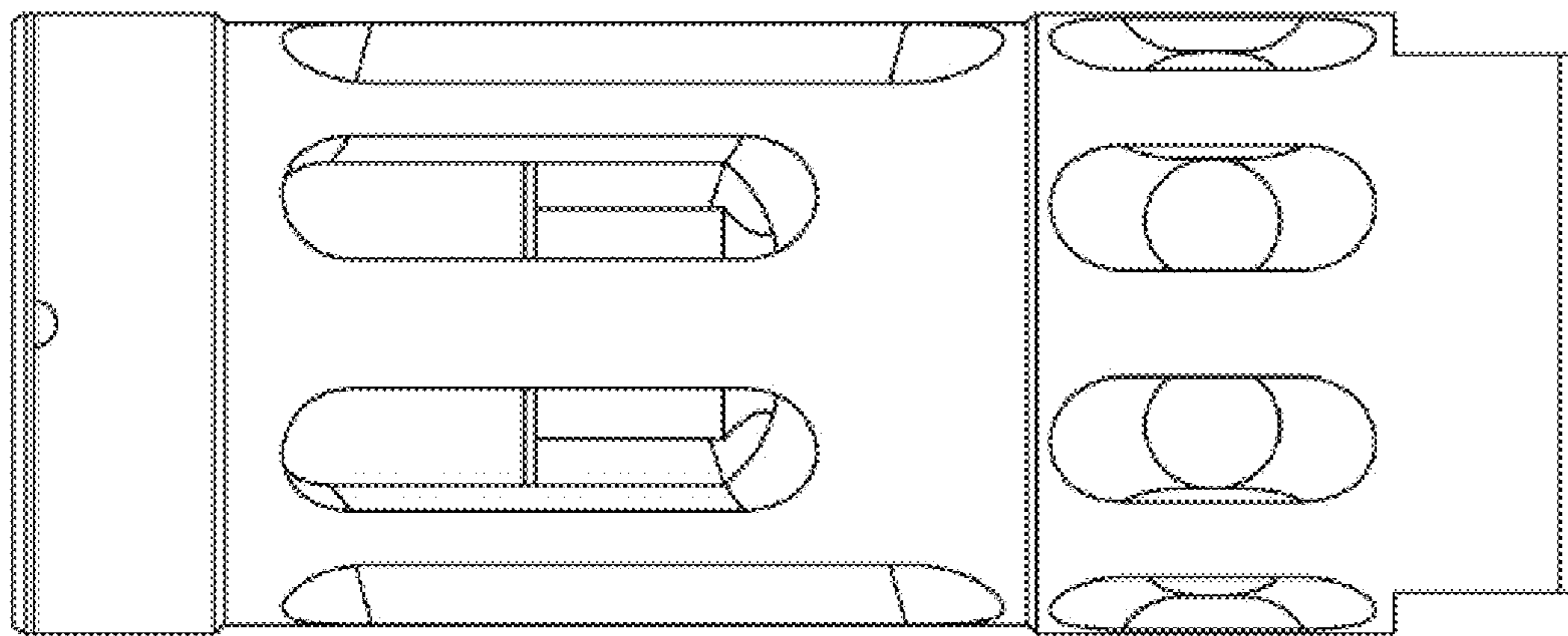


FIG. 19

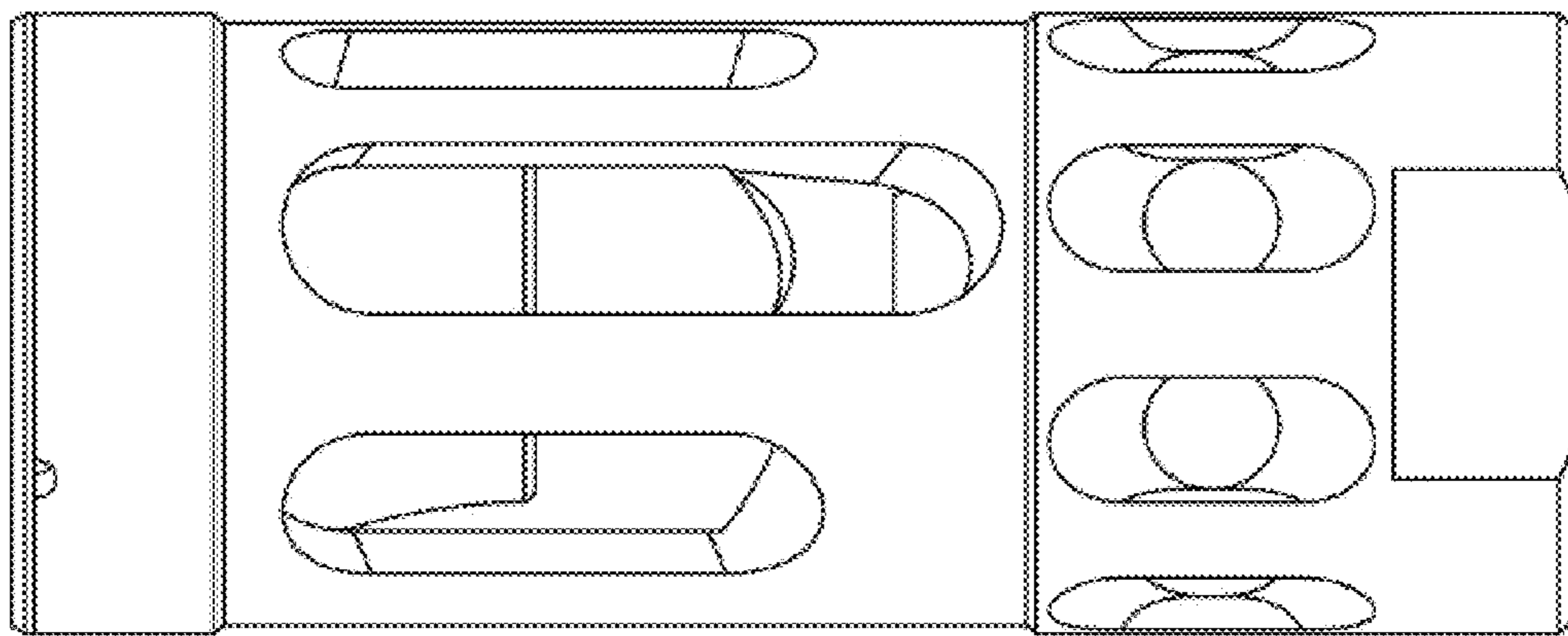


FIG. 20

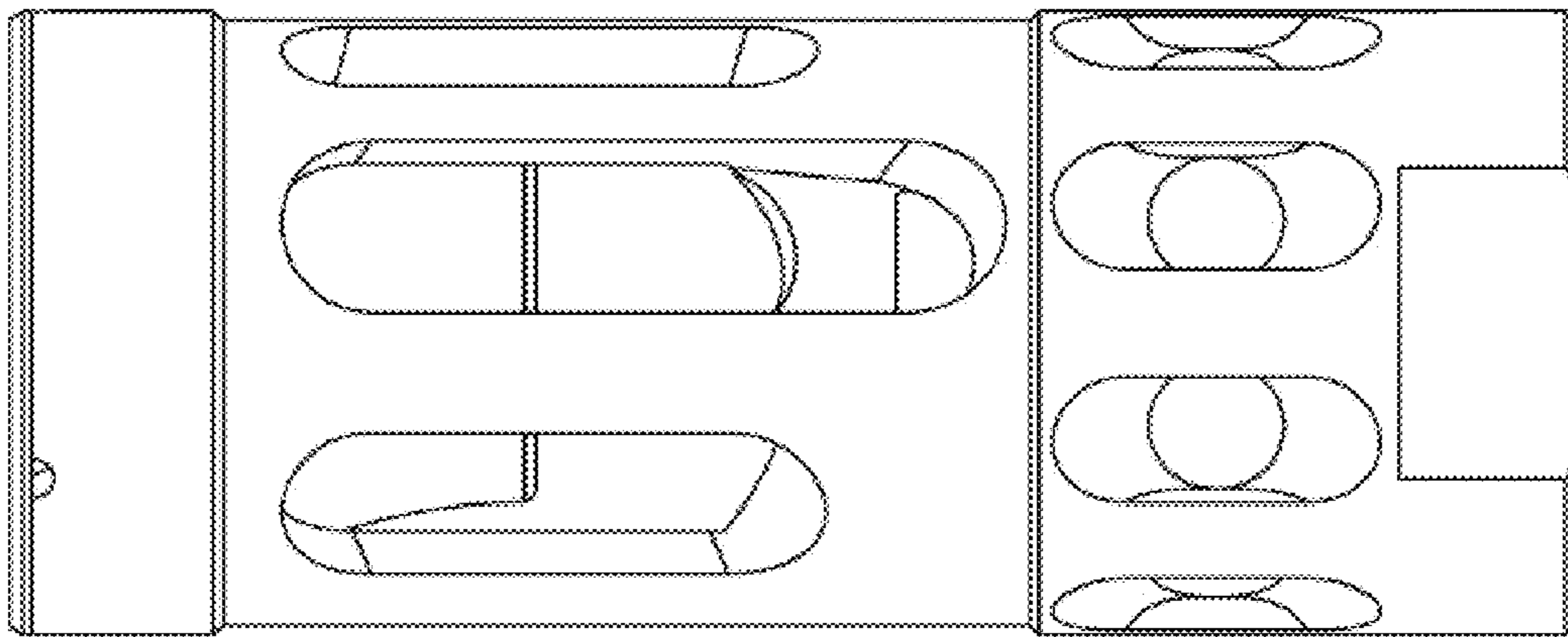


FIG. 21

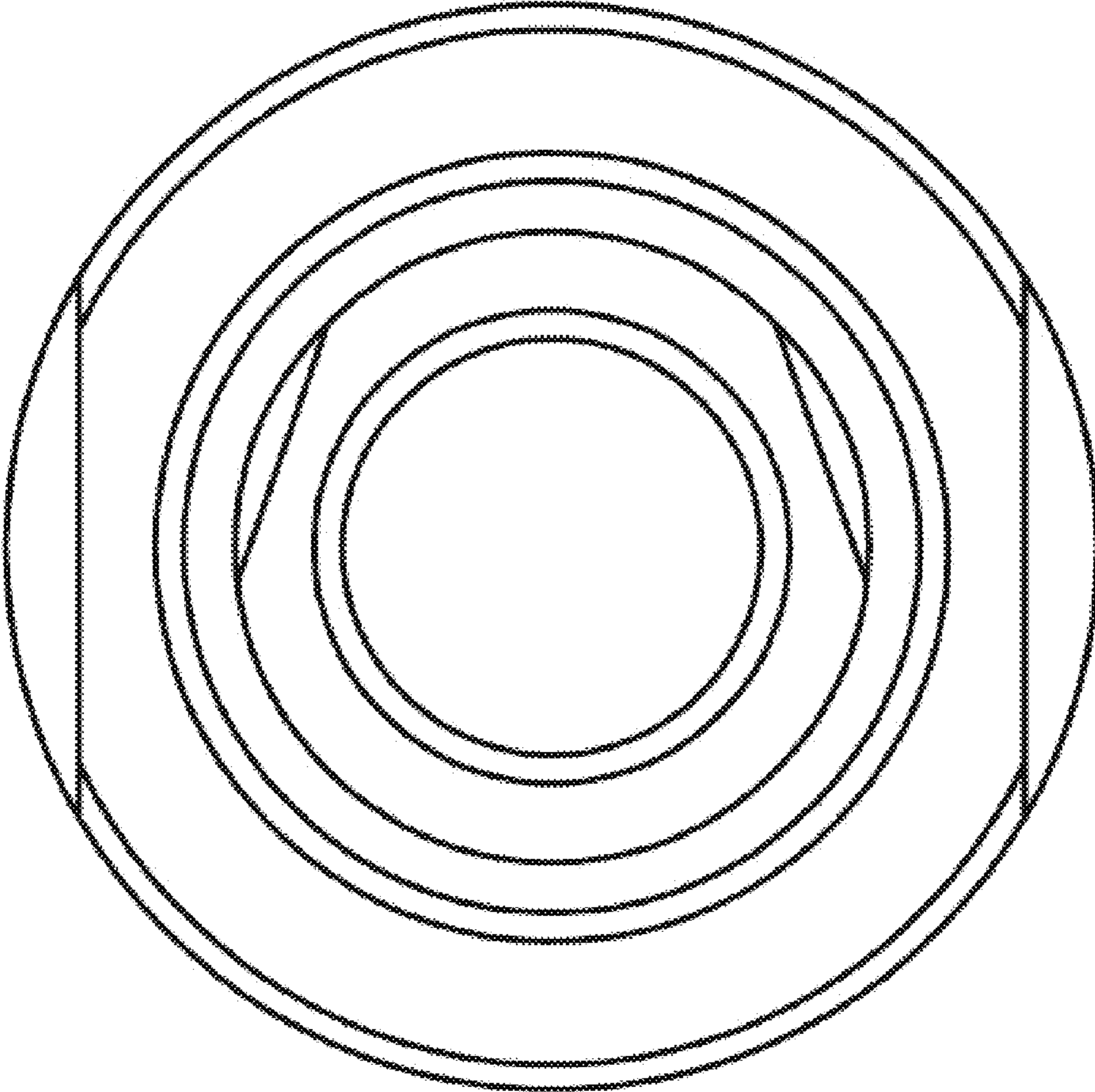


FIG. 22

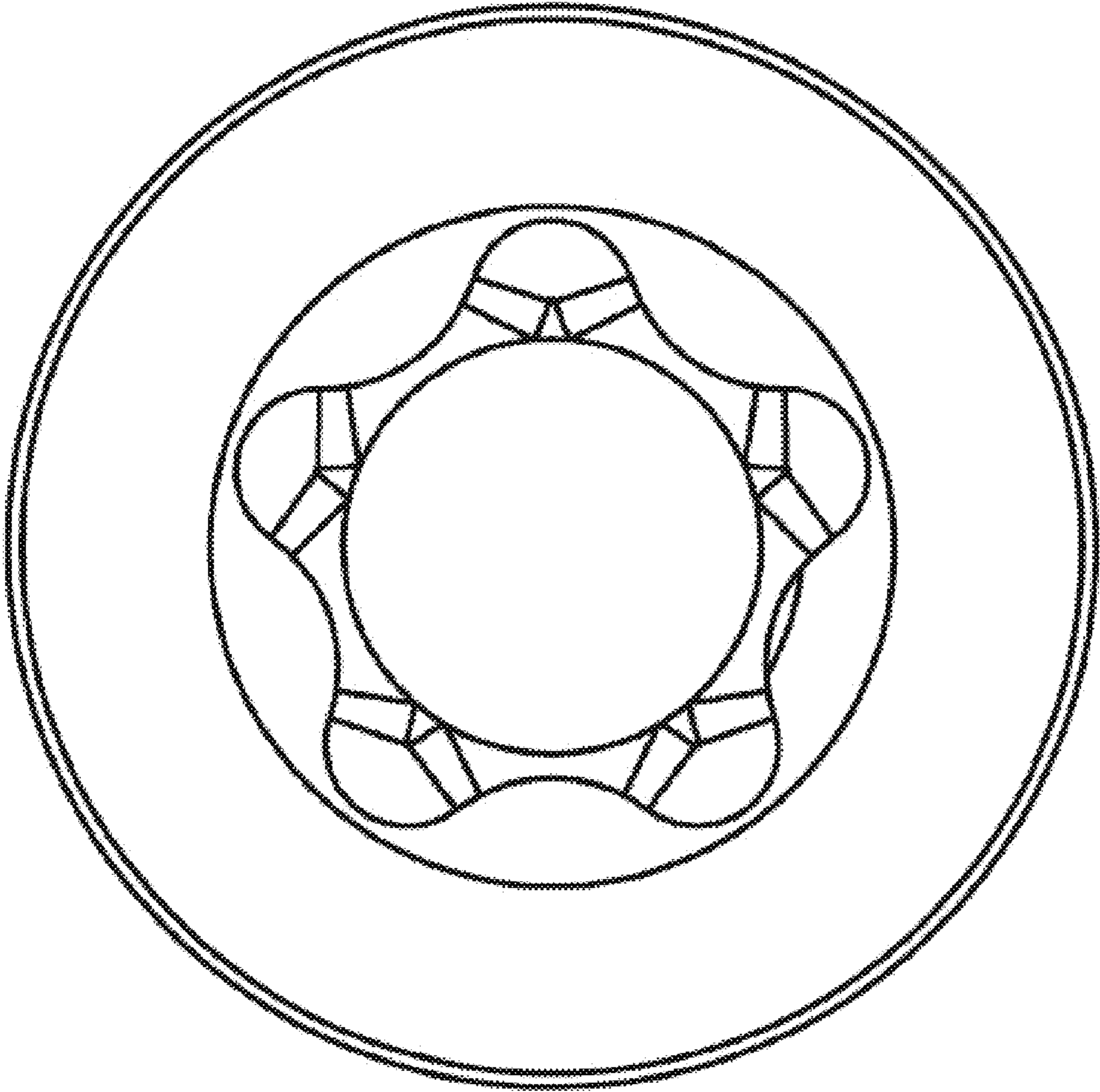


FIG. 23

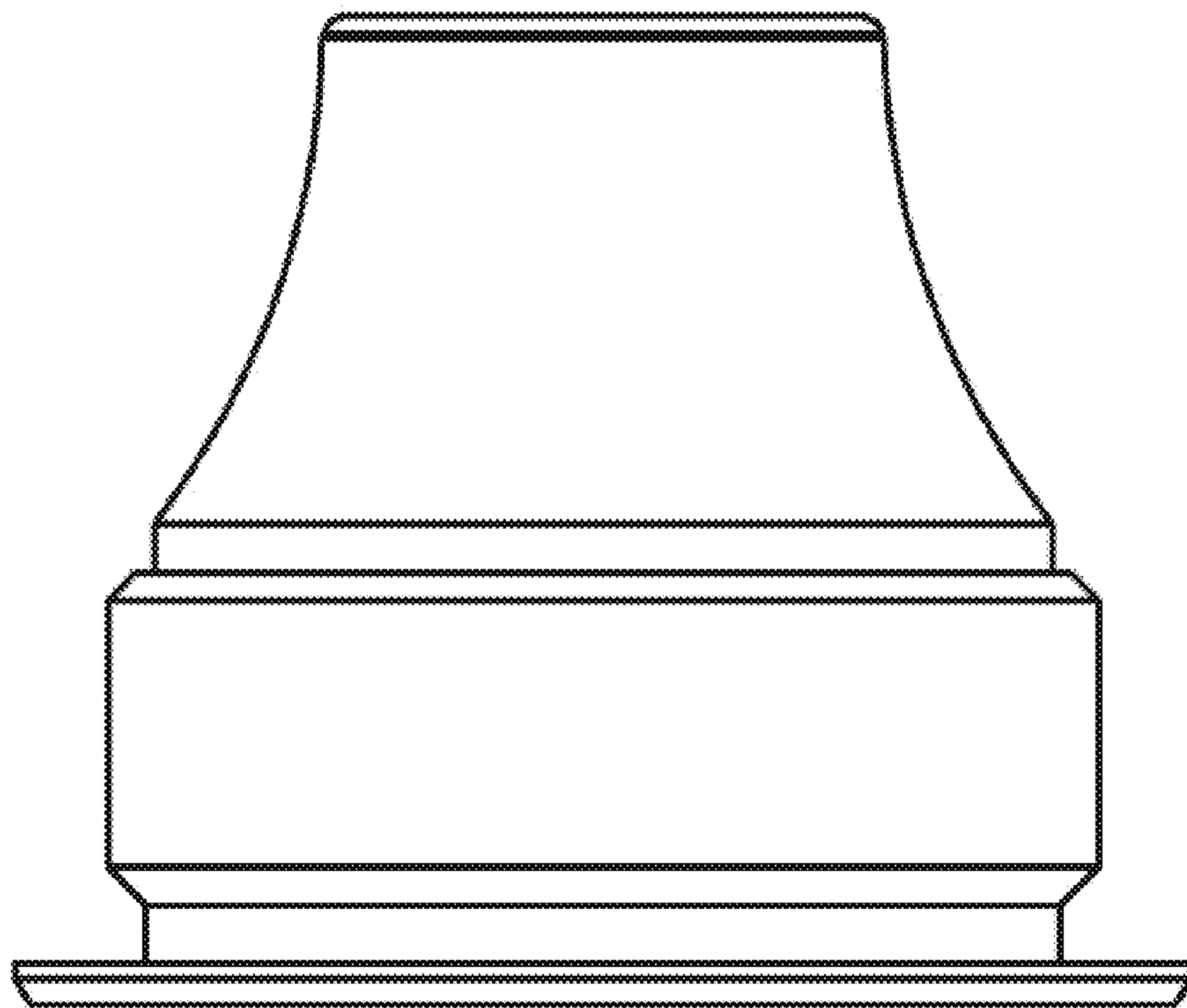


FIG. 24