



US00D720030S

(12) **United States Design Patent**  
**Peterson**

(10) **Patent No.:** **US D720,030 S**

(45) **Date of Patent:** **\*\* Dec. 23, 2014**

(54) **LOW DRAG AQUATIC TOWING SYSTEM**

(71) Applicant: **Kwik Tek, Inc.**, Denver, CO (US)

(72) Inventor: **Leroy L. Peterson**, Omaha, NE (US)

(73) Assignee: **Kwik Tek, Inc.**, Denver, CO (US)

(\*\*) Term: **14 Years**

(21) Appl. No.: **29/492,303**

(22) Filed: **May 30, 2014**

**Related U.S. Application Data**

(63) Continuation of application No. 12/180,596, filed on Jul. 28, 2008.

(51) **LOC (10) Cl.** ..... **21-02**

(52) **U.S. Cl.**  
USPC ..... **D21/810**

(58) **Field of Classification Search**  
CPC ..... B63B 21/48  
USPC ..... D21/804-807, 810; 114/253, 345-346;  
441/69; 434/253

See application file for complete search history.

(56) **References Cited**

**U.S. PATENT DOCUMENTS**

2,915,259	A	12/1959	Force	
3,069,162	A	12/1962	Samuel	
3,109,075	A *	10/1963	Ratcliff	200/52 R
D200,274	S	2/1965	Loeb	
3,227,450	A	1/1966	Pruitt	
3,709,491	A	1/1973	Minchin	
4,350,338	A	9/1982	May	
4,378,750	A	4/1983	Holzhauser	
4,483,683	A *	11/1984	Alley, Sr.	441/69
4,619,620	A	10/1986	Felter	
4,635,581	A	1/1987	Scheurer	

4,709,358	A	11/1987	Appling et al.	
4,846,690	A *	7/1989	Williams	434/253
4,893,576	A	1/1990	Day et al.	
5,341,758	A *	8/1994	Strickland	114/253
5,921,834	A	7/1999	DeMasi	
6,080,027	A	6/2000	Rodemann	
7,025,644	B2	4/2006	Geier et al.	
7,552,694	B2 *	6/2009	Dingel et al.	114/345
7,665,411	B2 *	2/2010	Welch	114/253
8,025,541	B2	9/2011	Churchill et al.	
8,042,482	B2	10/2011	Davis	
2002/0121232	A1	9/2002	Mogk	

\* cited by examiner

*Primary Examiner* — Zenia Bennett

(74) *Attorney, Agent, or Firm* — Colorado Patents

(57) **CLAIM**

The ornamental design for a low drag aquatic towing system, as shown and described.

**DESCRIPTION**

FIG. 1 is a perspective view of a low drag aquatic towing system for connecting a towing vehicle and a towed device showing my new design;

FIG. 2 is an enlarged perspective view of the low drag aquatic towing system shown in FIG. 1;

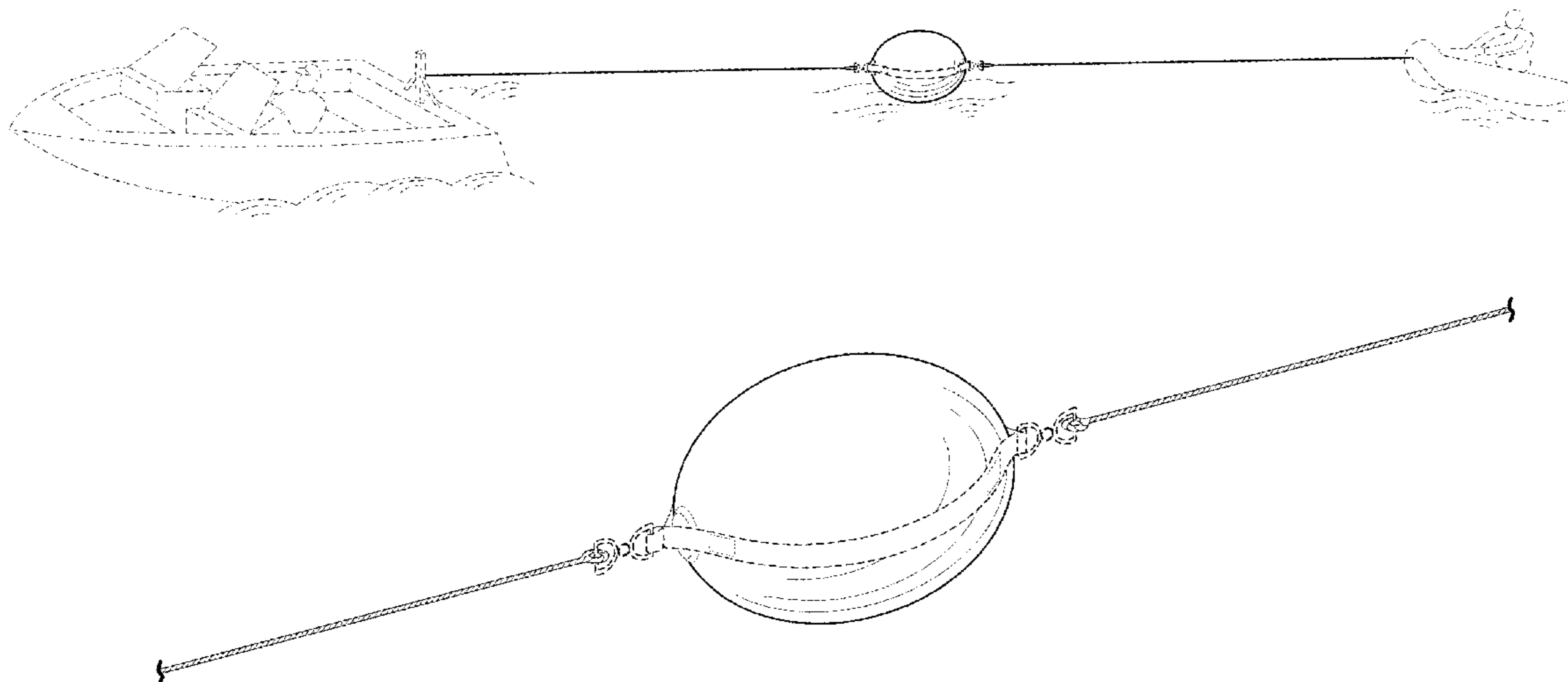
FIG. 3 is a left side view of the low drag aquatic towing system of FIG. 2 and wherein the right side view is the mirror image of the left side view;

FIG. 4 is a top plan view of the low drag aquatic towing system of FIG. 2 and wherein the bottom plan view is the mirror image of the top plan view; and,

FIG. 5 is a front view of the low drag aquatic towing system of FIG. 2 and wherein the rear view is the mirror image of the front view.

The broken lines are shown for illustrative purposes only and form no part of the claimed design.

**1 Claim, 2 Drawing Sheets**



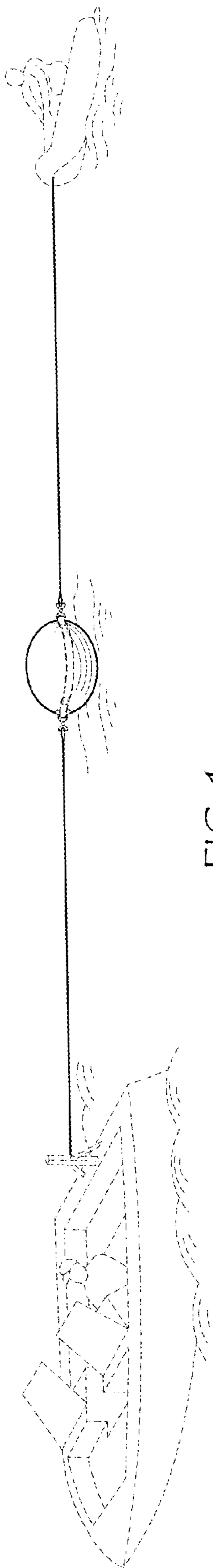


FIG. 1

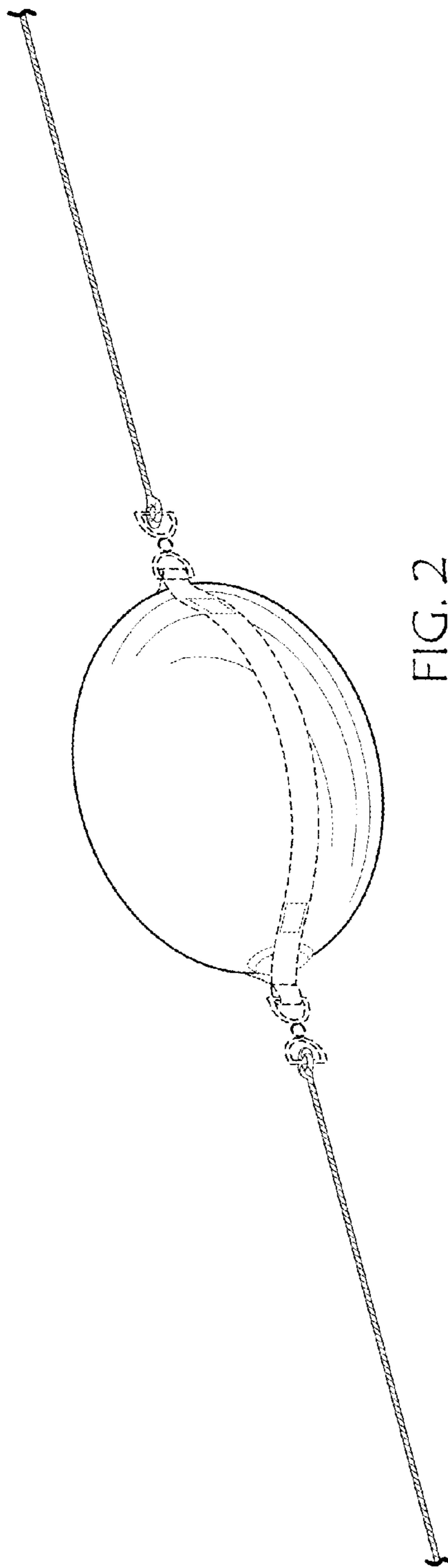


FIG. 2

