



US00D720029S

(12) **United States Design Patent**
Miekina

(10) **Patent No.:** **US D720,029 S**

(45) **Date of Patent:** **** Dec. 23, 2014**

(54) **TOY PAD**

(75) **Inventor:** **William Miekina**, Redondo Beach, CA (US)

(73) **Assignee:** **Mattel, Inc.**, El Segundo, CA (US)

(**) **Term:** **14 Years**

(21) **Appl. No.:** **29/413,310**

(22) **Filed:** **Feb. 14, 2012**

(51) **LOC (10) Cl.** **21-01**

(52) **U.S. Cl.**

USPC **D21/787**; D8/499; D8/356; D21/483

(58) **Field of Classification Search**

CPC A63C 19/00; A63C 19/005; A63C 19/12;
F16B 2/241; A63H 13/06; F16G 11/14;

F16G 11/02; F16G 11/06

USPC D21/300, 385, 398, 419, 421, 453, 483,
D21/506, 507, 698, 705, 706, 771-774, 787,
D21/798, 799.1, 811, 839, 339, 355; D8/71,
D8/321, 322, 354, 355, 356, 360, 360.1,
D8/373-375, 380, 382, 383, 394-396, 400,
D8/402, 403, 499; D11/200-218; D3/318,
D3/327, 328; D25/12, 38.1, 39, 133;
150/154, 158; 472/92, 93; 403/23,
403/43-48, 286, DIG. 14; 16/428, 203, 208,
16/210, 211, 212; 446/486-491, 82, 334,
446/478; 49/34, 147, 396, 460, 461, 462;
256/1, 64-65.14; 248/49, 60, 62, 63,
248/65, 67.5, 73-74.5; 24/135 N, 305, 326,
24/329, 331, 335, 336, 338-340, 342.1,
24/464, 530, 532, 535, 545, 561-563,
24/583.1, 583.11, 115 R, 115 A, 115 N,
24/115 G, 122.6, 487, 497, 499, 505, 507,
24/517, 521, 522, 527, 531, 542, 546, 547,
24/555, 556; 273/317, 440, 440.1; D6/674

See application file for complete search history.

(56) **References Cited**

U.S. PATENT DOCUMENTS

D27,248 S *	6/1897	Corscaden	D8/360
722,949 A *	3/1903	Crowe	24/134 L
1,600,224 A *	9/1926	Grundy	248/71
1,753,328 A *	4/1930	Barnes	472/93
D169,698 S *	5/1953	Rogers	D8/322
2,832,174 A *	4/1958	Yip	446/75
3,154,337 A *	10/1964	Walker	294/75
3,827,815 A *	8/1974	Strange	403/397
D269,065 S *	5/1983	Hough, Jr.	D8/356
4,710,049 A *	12/1987	Chang	403/23
D313,545 S *	1/1991	Roselli	D8/355
D319,171 S *	8/1991	McCord, Jr.	D8/70
D325,479 S *	4/1992	Barfield	D21/355
D335,254 S *	5/1993	Carter	D8/354
D364,085 S *	11/1995	Beckman et al.	D8/375
5,826,312 A *	10/1998	Schroder et al.	24/601.2

(Continued)

Primary Examiner — Catherine Tuttle

(74) *Attorney, Agent, or Firm* — Edell, Shapiro & Finnann LLC

(57) **CLAIM**

The ornamental design for a toy pad, as shown and described.

DESCRIPTION

FIG. 1 is a bottom perspective view of the toy pad showing my new design;

FIG. 2 is an inverted front view thereof;

FIG. 3 is an inverted rear view thereof;

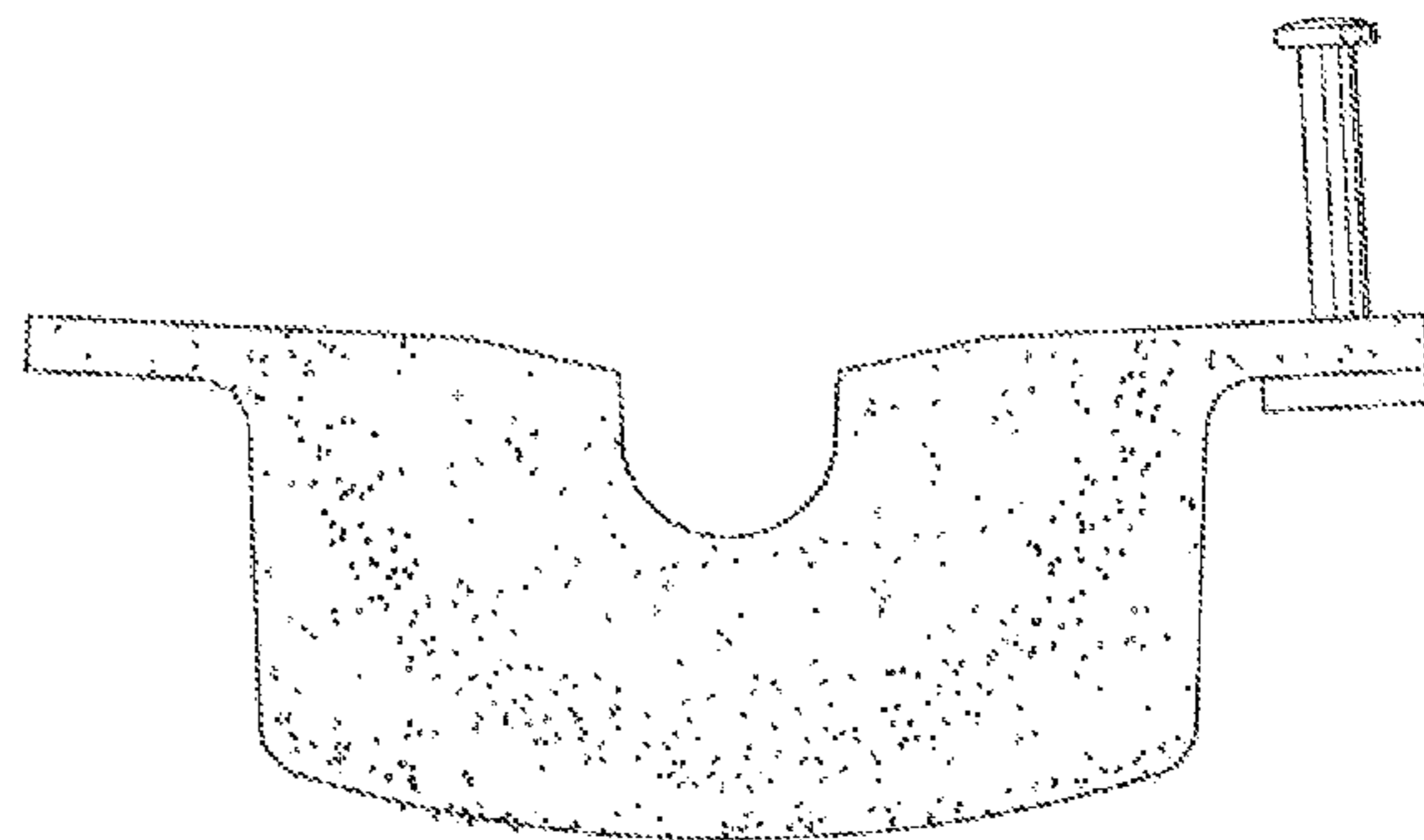
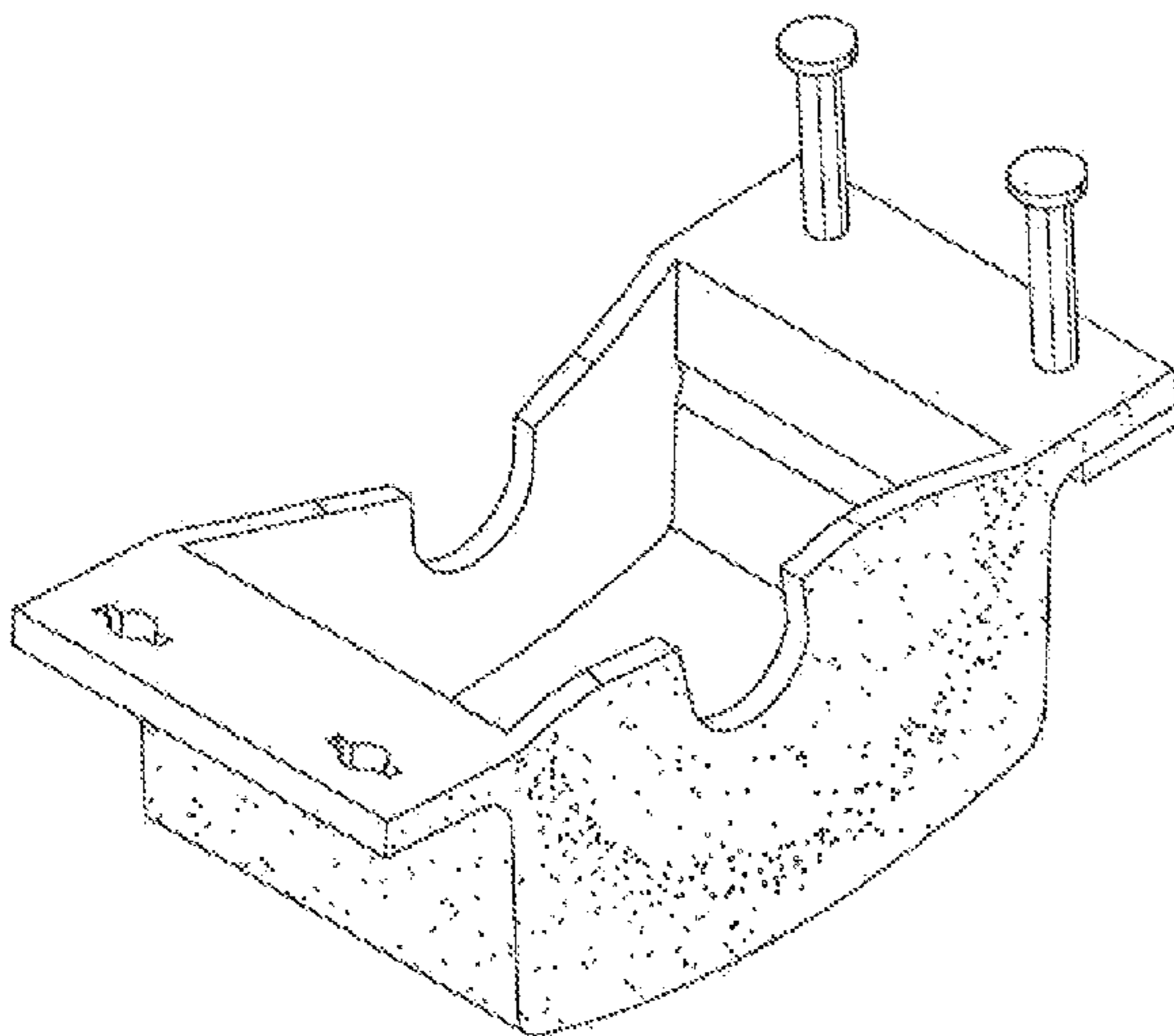
FIG. 4 is an inverted right side view thereof;

FIG. 5 is an inverted left side view thereof;

FIG. 6 is a bottom view plan view thereof; and,

FIG. 7 is a top plan view thereof.

1 Claim, 4 Drawing Sheets



(56)

References Cited

U.S. PATENT DOCUMENTS

5,954,308 A *	9/1999	Lane et al.	248/539	6,842,949 B2 *	1/2005	Warren	24/135 N
6,325,692 B1 *	12/2001	Webb	446/75	7,318,567 B2 *	1/2008	Mori et al.	248/51
6,648,372 B2 *	11/2003	Ojeda, III	280/809	D656,452 S *	3/2012	Calvert	D12/223
				2012/0052235 A1 *	3/2012	Clohessy et al.	428/99
				2013/0017895 A1 *	1/2013	Mechling et al.	472/93

* cited by examiner

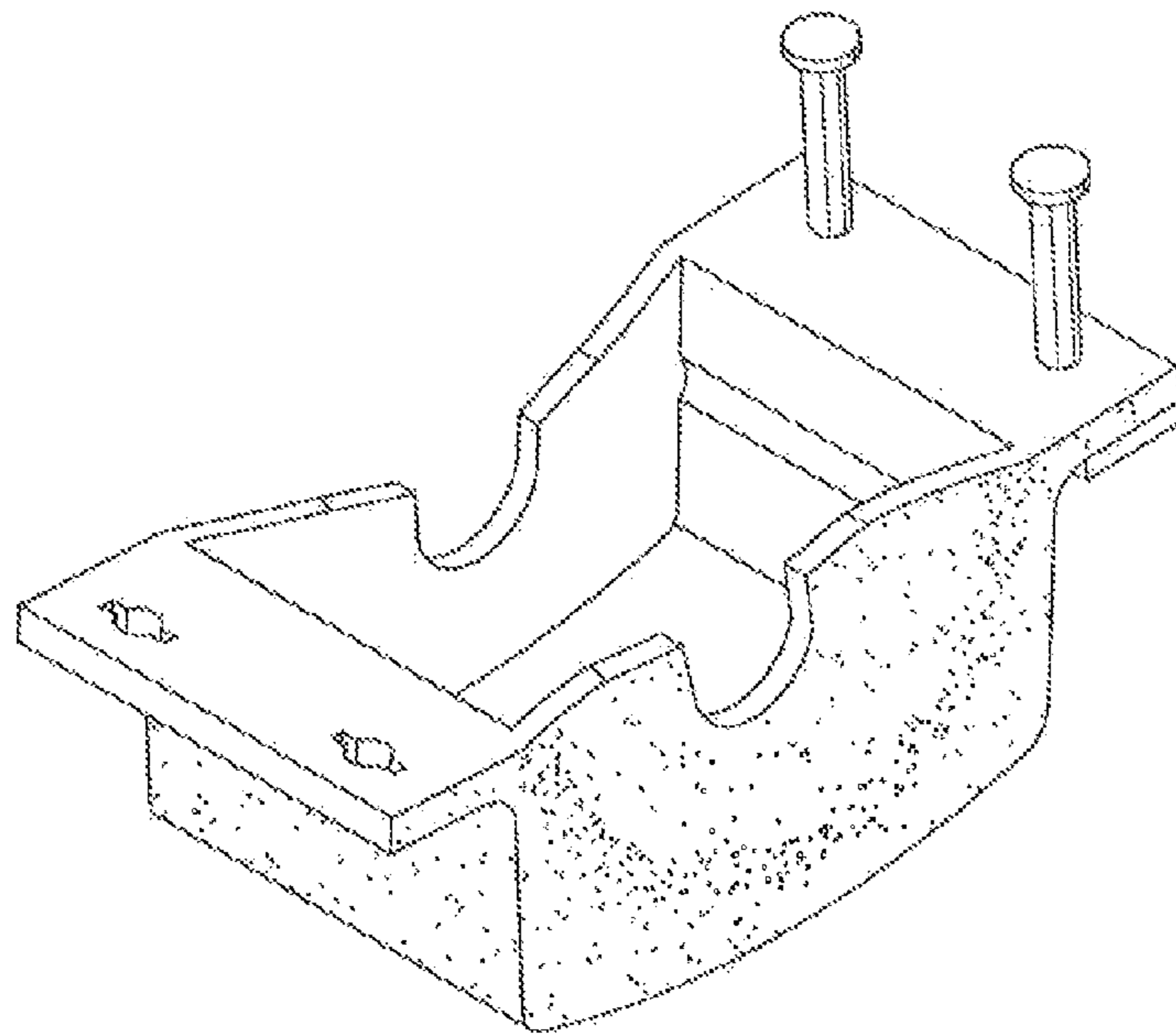


FIG. 1

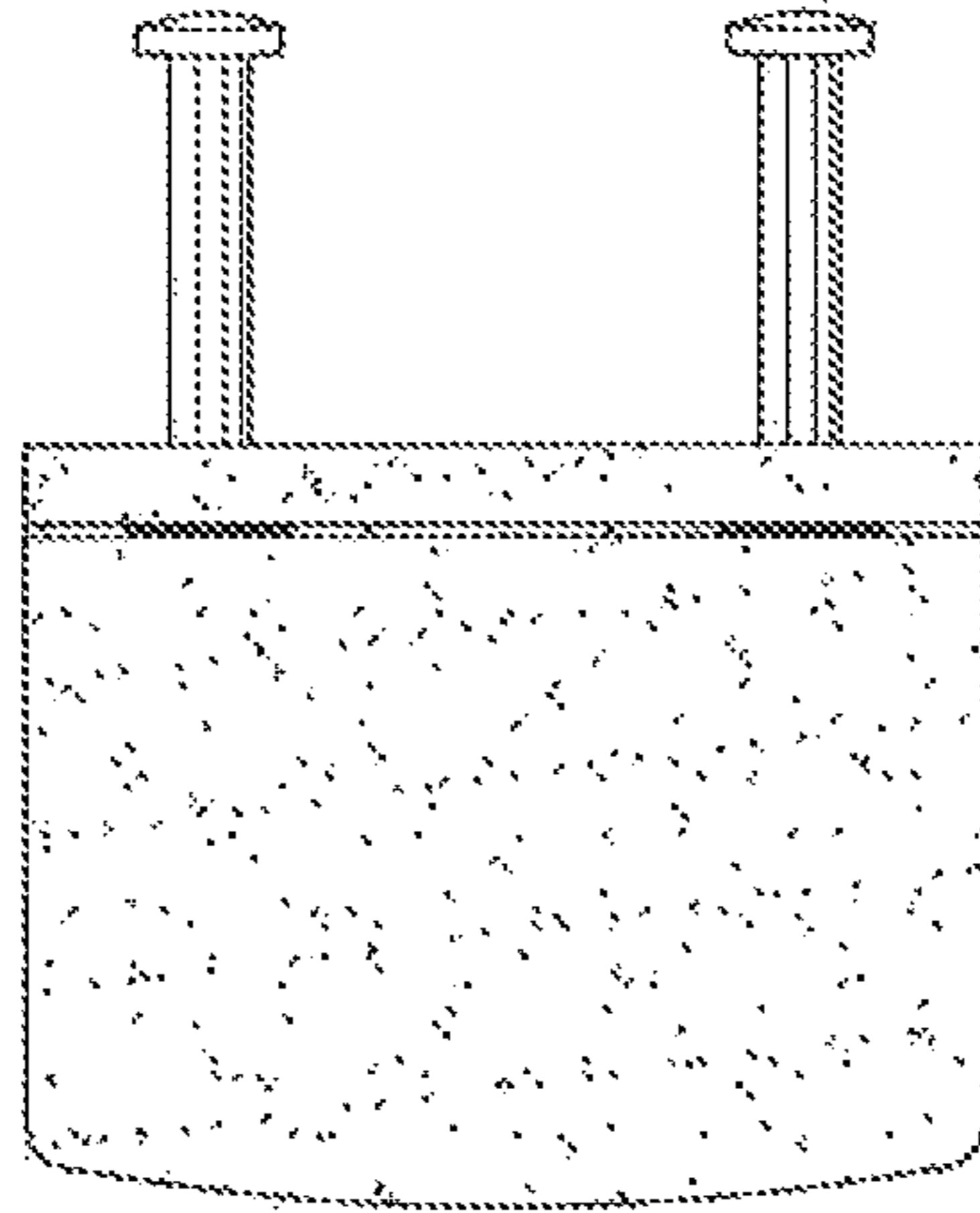


FIG. 2

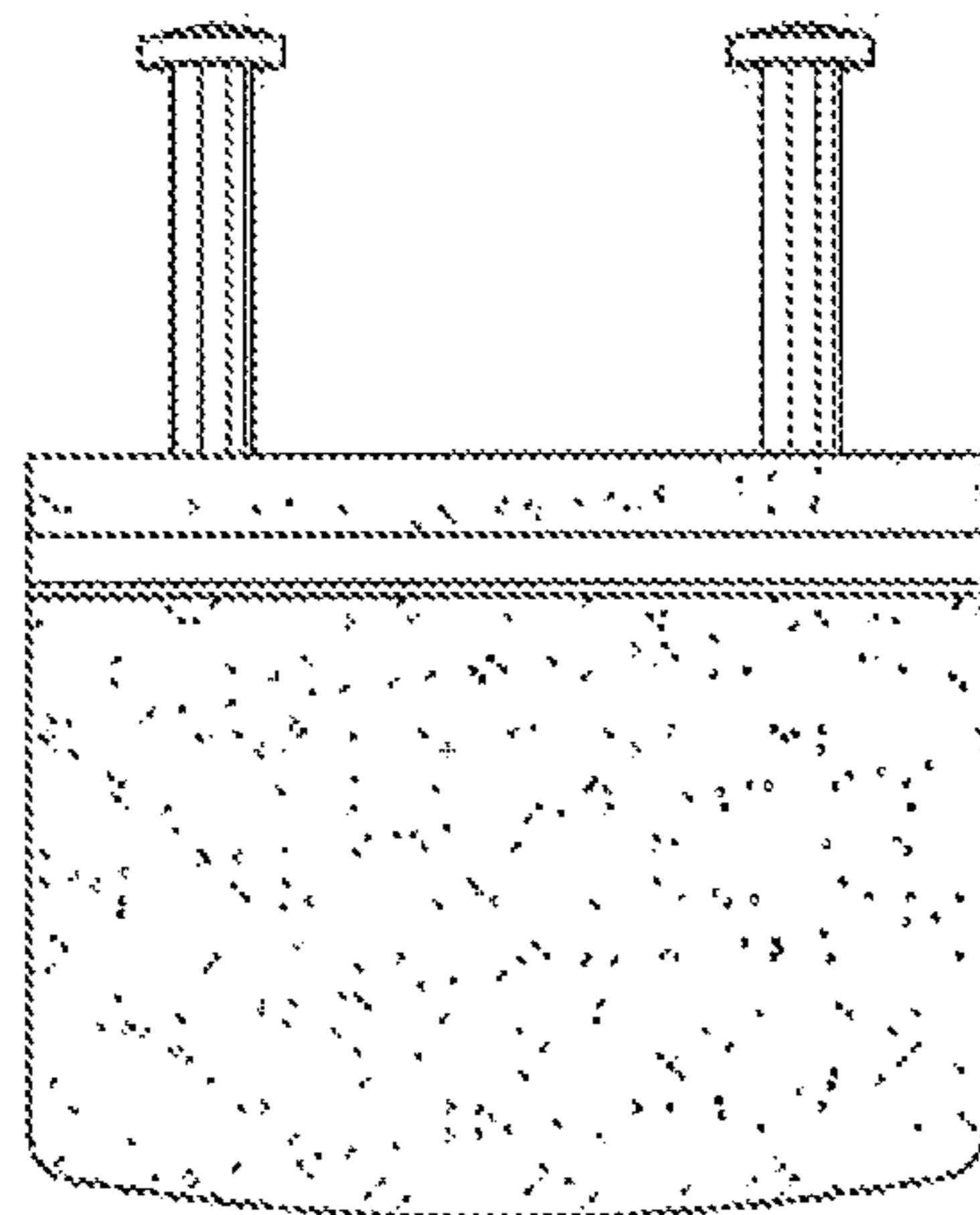


FIG. 3

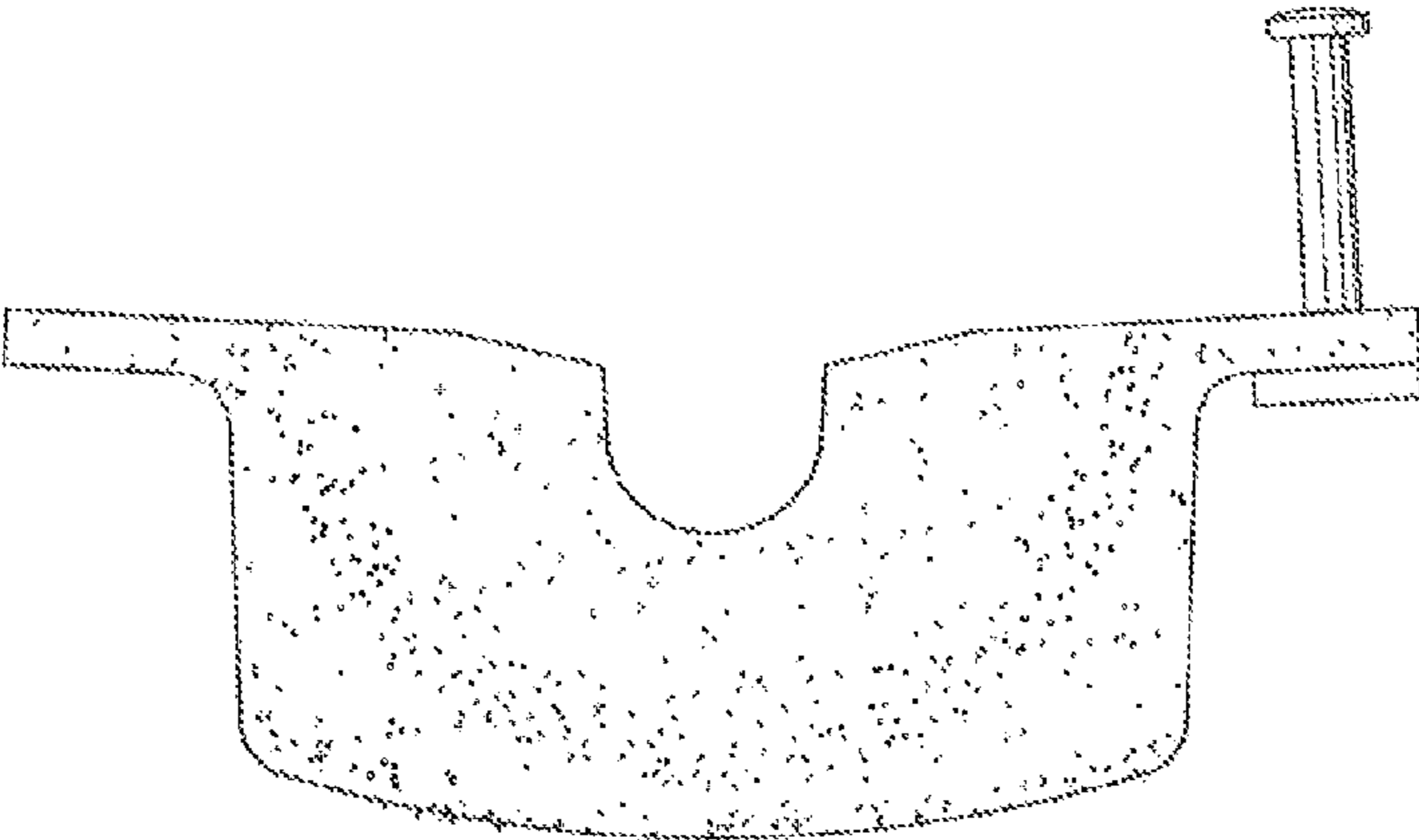


FIG. 4

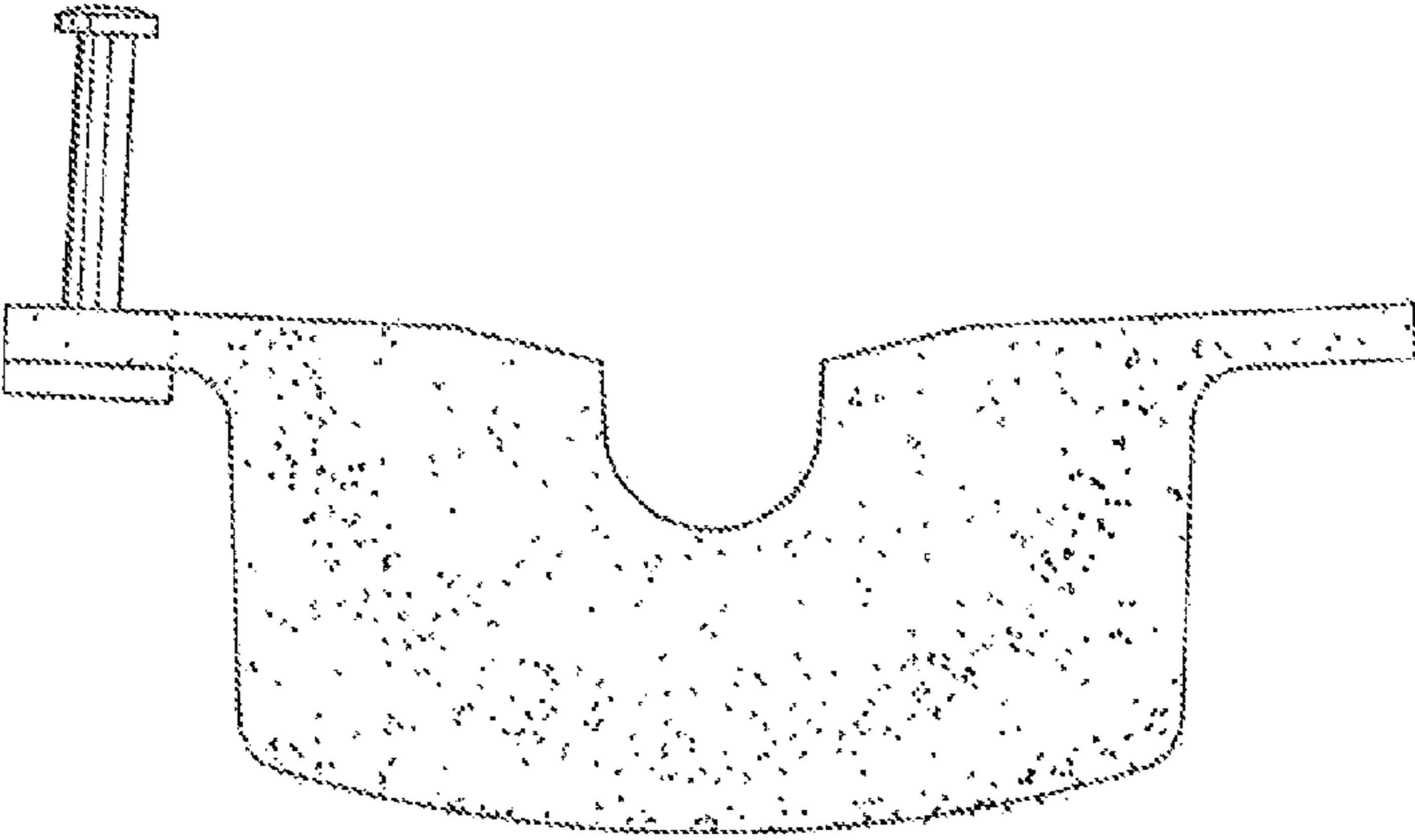


FIG. 5

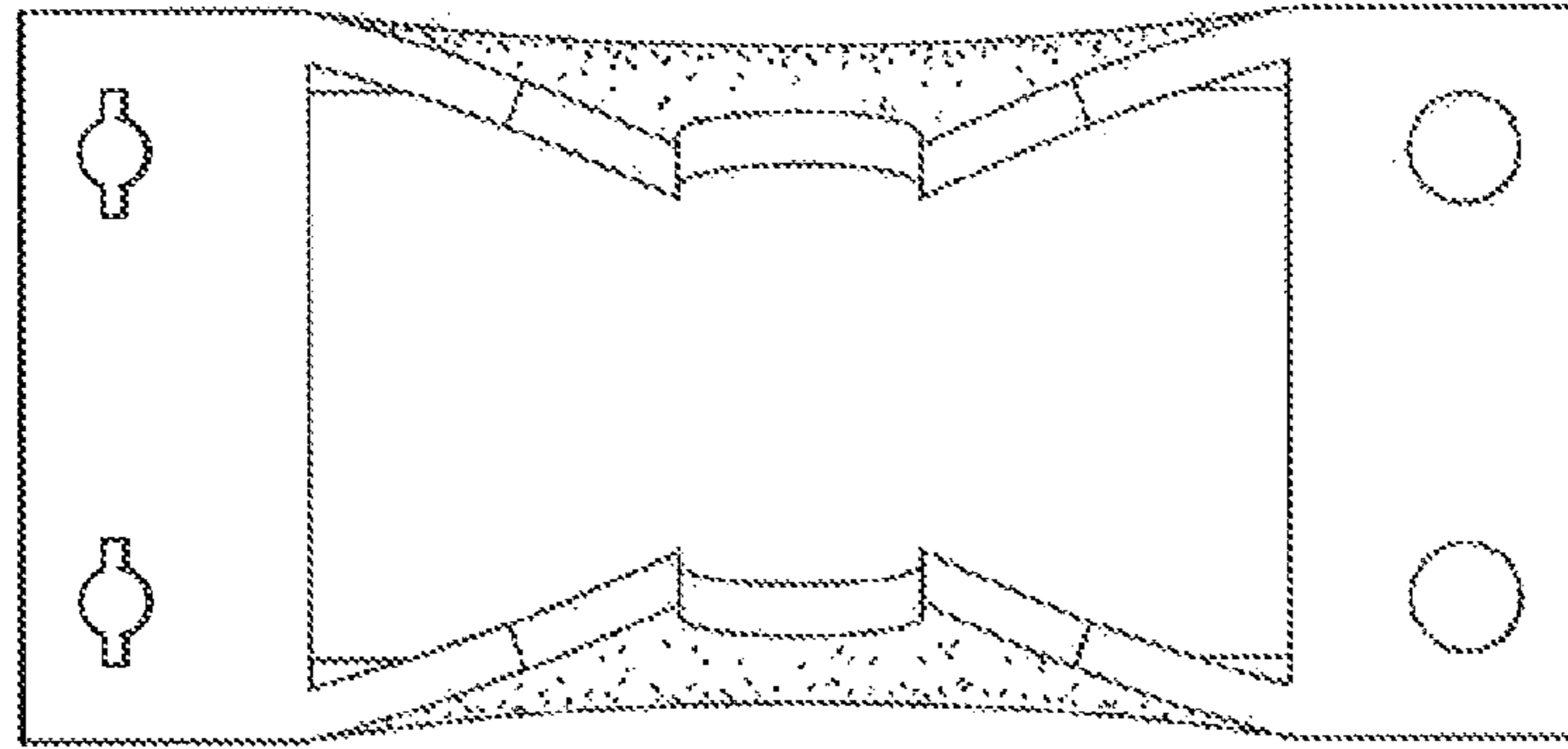


FIG. 6

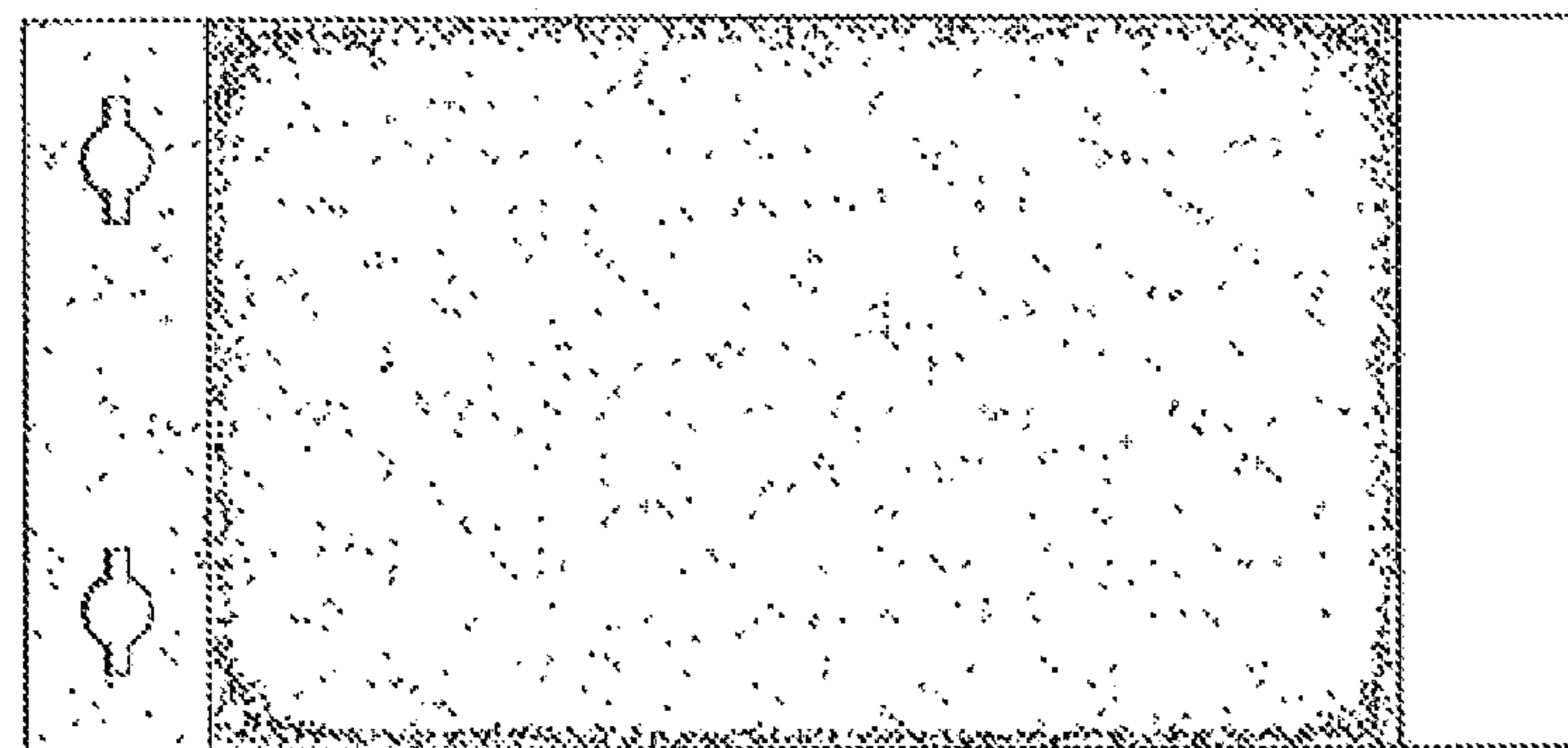


FIG. 7