

US00D720028S

(12) **United States Design Patent**
Serrano et al.

(10) **Patent No.:** **US D720,028 S**
(45) **Date of Patent:** **** Dec. 23, 2014**

- (54) **GOLF CLUB HEAD**
- (71) Applicant: **Karsten Manufacturing Corporation**,
Phoenix, AZ (US)
- (72) Inventors: **Anthony D. Serrano**, Anthem, AZ (US);
Xiaojian Chen, Phoenix, AZ (US)
- (73) Assignee: **Karsten Manufacturing Corporation**,
Phoenix, AZ (US)
- (**) Term: **14 Years**
- (21) Appl. No.: **29/468,706**
- (22) Filed: **Oct. 2, 2013**
- (51) **LOC (10) Cl.** **21-02**
- (52) **U.S. Cl.**
USPC **D21/759**
- (58) **Field of Classification Search**
USPC D21/736-746, 759; 473/324-331, 340,
473/341, 251-256
See application file for complete search history.

6,960,140 B2 11/2005 Solheim
6,966,845 B2 11/2005 Solheim
D520,584 S 5/2006 Karlsen

(Continued)

OTHER PUBLICATIONS

Stina Sternberg and Ashley Mayo, "2008 Spring Equipment Pre-view," Golf for Women, May-Jun. 2008 at 114.

(Continued)

Primary Examiner — Mitchell Siegel

(74) *Attorney, Agent, or Firm* — Bryan Cave LLP

(57) **CLAIM**

The ornamental design for a golf club head, as shown and described.

DESCRIPTION

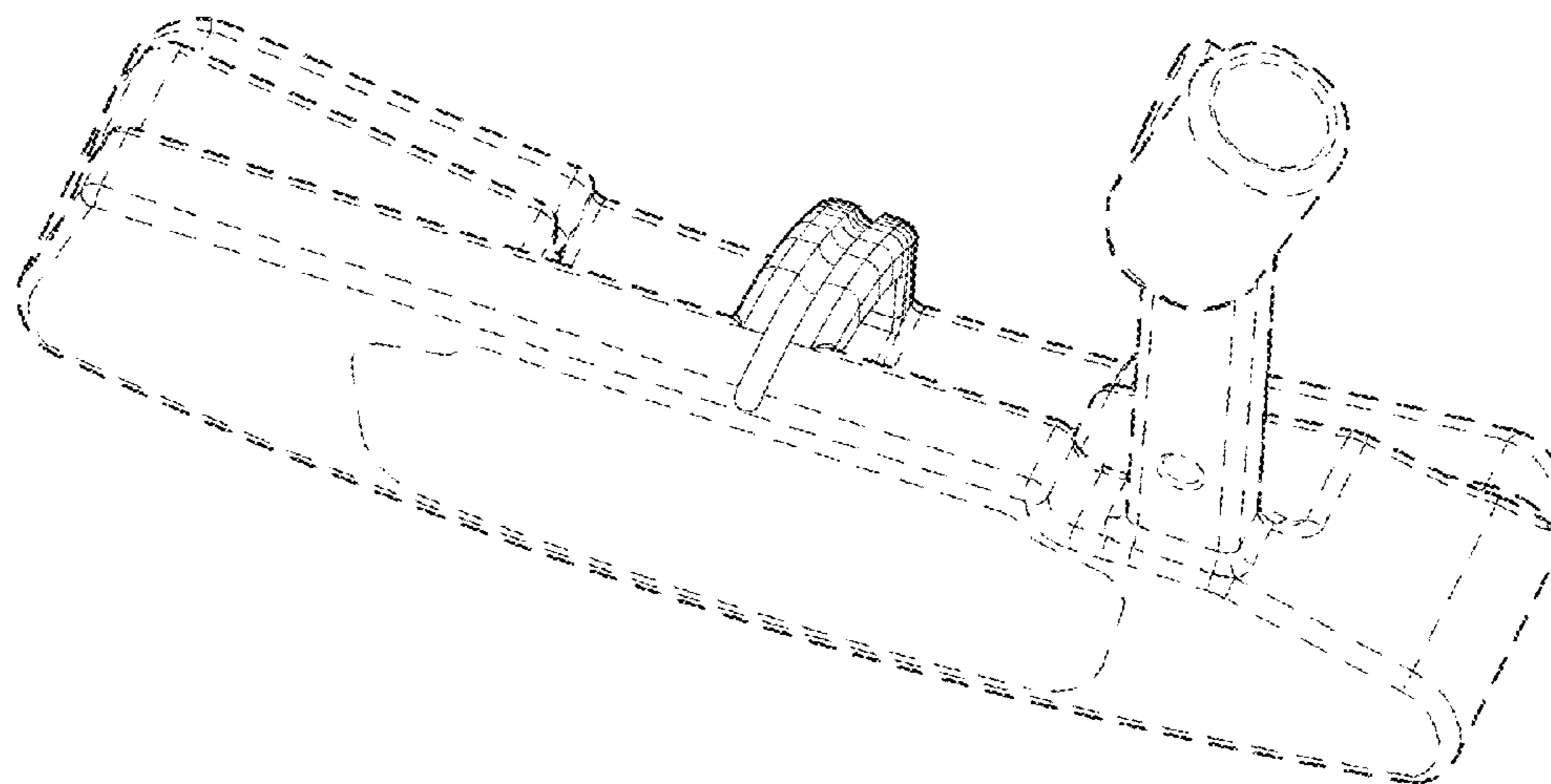
FIG. 1 is a top perspective view of a golf club head;
 FIG. 2 is a bottom perspective view thereof;
 FIG. 3 is a front view thereof;
 FIG. 4 is a rear view thereof;
 FIG. 5 is a top view thereof;
 FIG. 6 is a bottom view thereof;
 FIG. 7 is a right view thereof;
 FIG. 8 is a left view thereof;
 FIG. 9 is a top perspective view of a second embodiment of the golf club head;
 FIG. 10 is a bottom perspective view of FIG. 9;
 FIG. 11 is a front view of FIG. 9;
 FIG. 12 is a rear view of FIG. 9;
 FIG. 13 is a top view of FIG. 9;
 FIG. 14 is a bottom view of FIG. 9;
 FIG. 15 is a right view of FIG. 9; and,
 FIG. 16 is a left view of FIG. 9.

The broken lines connecting the solid contour lines represent the bounds of the claim. The remaining broken lines illustrate the environment. None of the broken lines forms part of the claimed design.

1 Claim, 8 Drawing Sheets

(56) **References Cited**
U.S. PATENT DOCUMENTS

3,884,477	A	5/1975	Bianco	
4,030,766	A	6/1977	Derr	
D316,129	S	4/1991	Bryson	
5,275,412	A *	1/1994	Innes	473/253
5,685,784	A *	11/1997	Butler	473/340
6,159,108	A	12/2000	De La Pena	
6,379,259	B1	4/2002	Opie	
D488,526	S	4/2004	Souza	
D500,109	S	12/2004	Solheim	
D500,110	S	12/2004	Solheim	
6,837,801	B1	1/2005	Souza	
6,878,071	B1	4/2005	Schwieger	
6,893,355	B2	5/2005	Souza	
6,902,496	B2	6/2005	Solheim	
D507,612	S	7/2005	Souza	
6,926,615	B1	8/2005	Souza	



(56)

References Cited

U.S. PATENT DOCUMENTS

D521,582 S	5/2006	Souza	
7,052,411 B2	5/2006	Solheim	
D522,598 S	6/2006	Solheim	
7,077,758 B2	7/2006	Rohrer	
7,086,957 B2	8/2006	Solheim	
D527,777 S	9/2006	Solheim	
D529,108 S	9/2006	Stites	
D532,847 S *	11/2006	Rollinson D21/736
D533,243 S	12/2006	Fife, Jr.	
7,235,021 B2	6/2007	Solheim	
D548,295 S	8/2007	Jertson	
7,255,650 B2	8/2007	Bryant	
D552,197 S	10/2007	Wells	
D565,137 S	3/2008	Oldknow	
D581,473 S	11/2008	Thomas	
D583,003 S	12/2008	Solheim	
D587,325 S	2/2009	Solheim	
D600,760 S	9/2009	Serrano	
D600,761 S	9/2009	Solheim	
D600,762 S	9/2009	Serrano	
D607,950 S	1/2010	Souza	
D621,458 S	8/2010	Serrano	
D621,460 S	8/2010	Serrano	
D621,461 S	8/2010	Serrano	

D621,462 S	8/2010	Serrano	
D621,891 S	8/2010	Serrano	
7,803,066 B2	9/2010	Solheim	
D638,891 S	5/2011	Nicolette	
D640,341 S *	6/2011	Foster et al. D21/742
D643,080 S	8/2011	Serrano	
D643,485 S	8/2011	Nicolette	
D643,486 S	8/2011	Serrano	
D643,487 S	8/2011	Serrano	
8,100,779 B2	1/2012	Solheim	
D653,718 S	2/2012	Stokke	
8,109,838 B2	2/2012	Solheim	
D664,617 S *	7/2012	Serrano D21/743
2005/0170904 A1	8/2005	Smeeth	
2006/0094533 A1	5/2006	Warren	
2006/0166755 A1	7/2006	Brown	
2007/0191135 A1	8/2007	Nilsson	
2010/0227704 A1	9/2010	Souza	

OTHER PUBLICATIONS

Stina Sternberg, "Hot List 2008—Putters," Golf Digest Feb. 2008 at 158-169 also available at: <http://www.golfdigest.com/equipment/ratings>.

Anthony D. Serrano et al., "Golf Club Head," U.S. Appl. No. 29/462,129, filed Jul. 31, 2013.

* cited by examiner

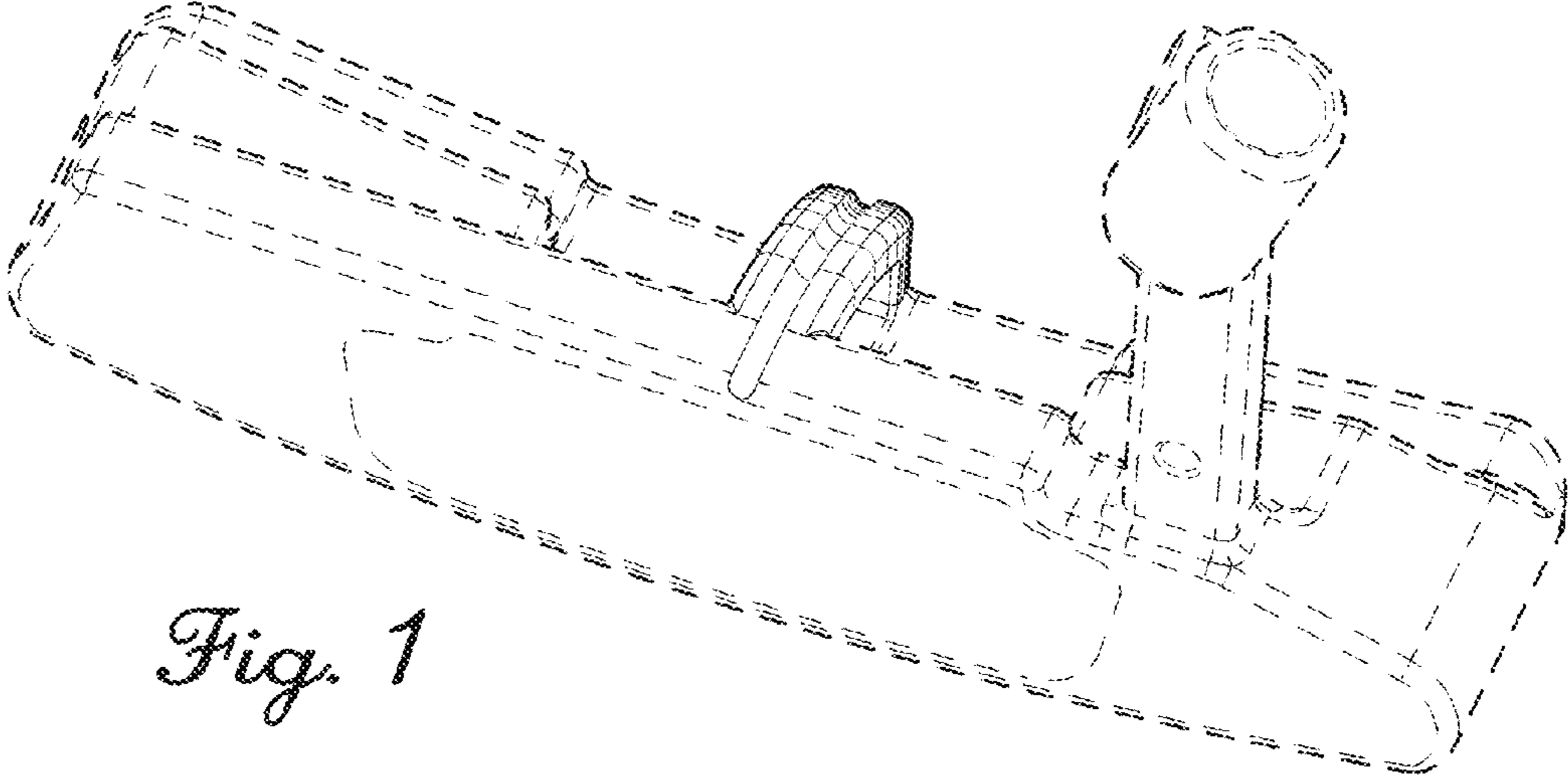


Fig. 1

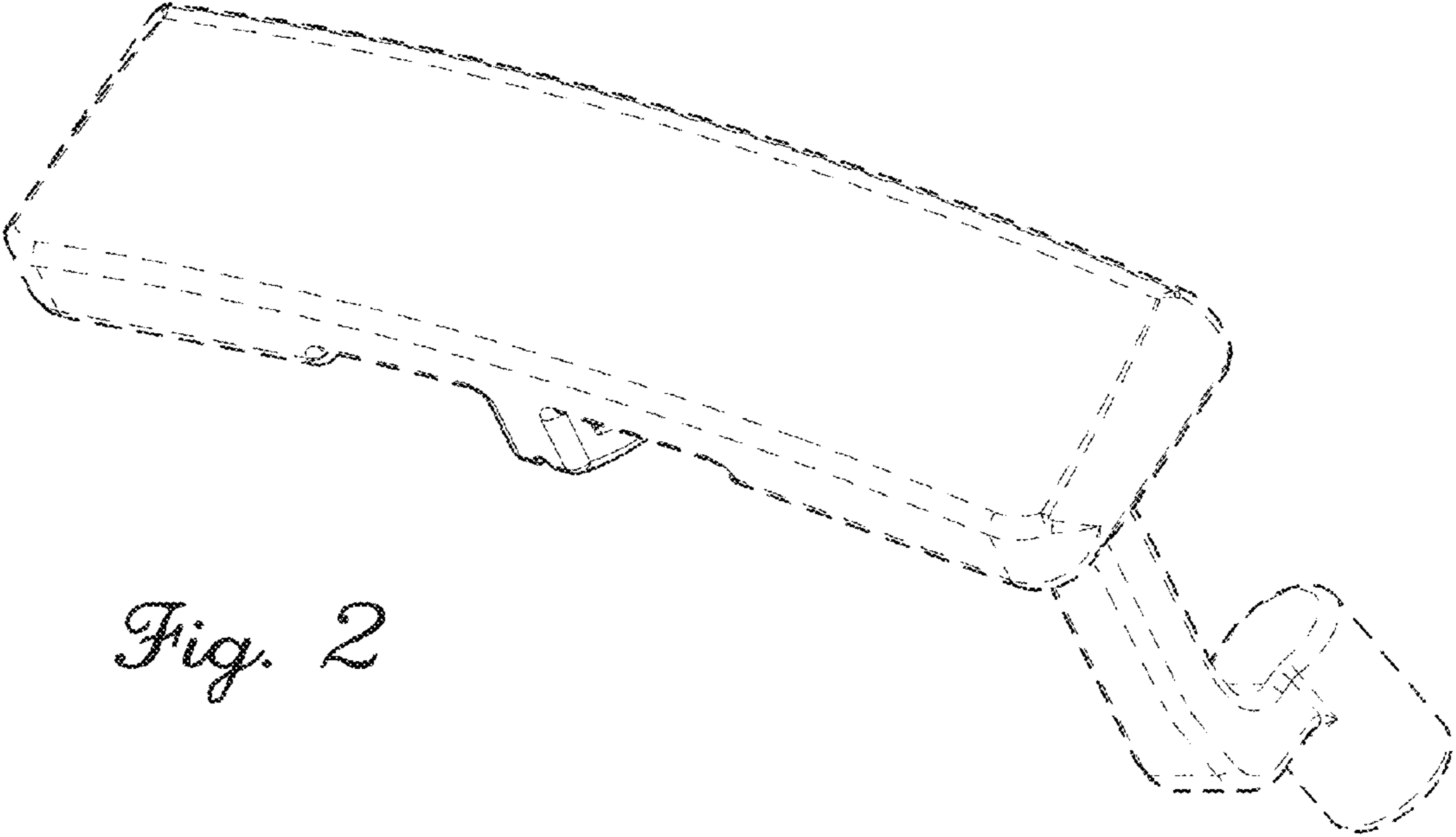


Fig. 2

Fig. 3

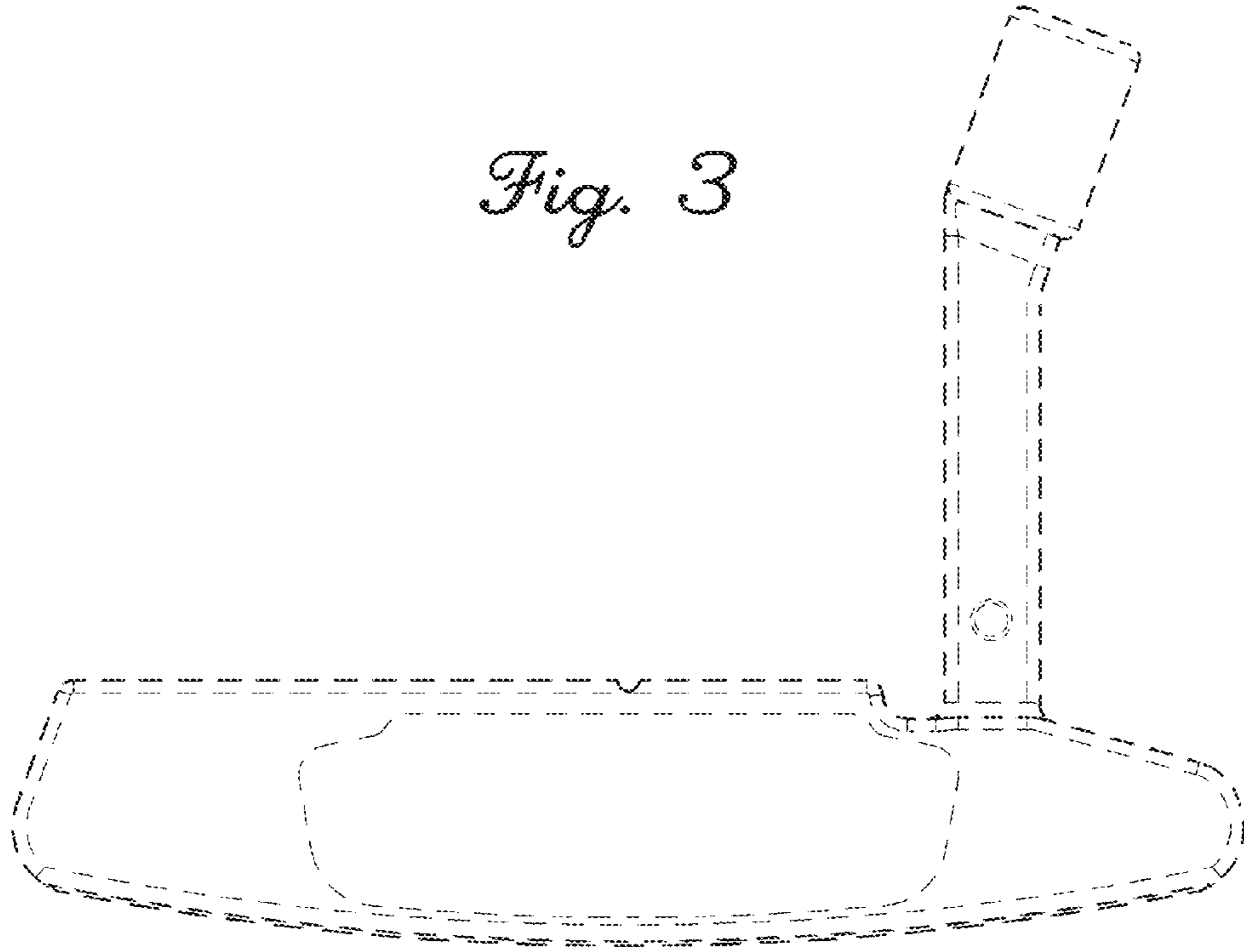
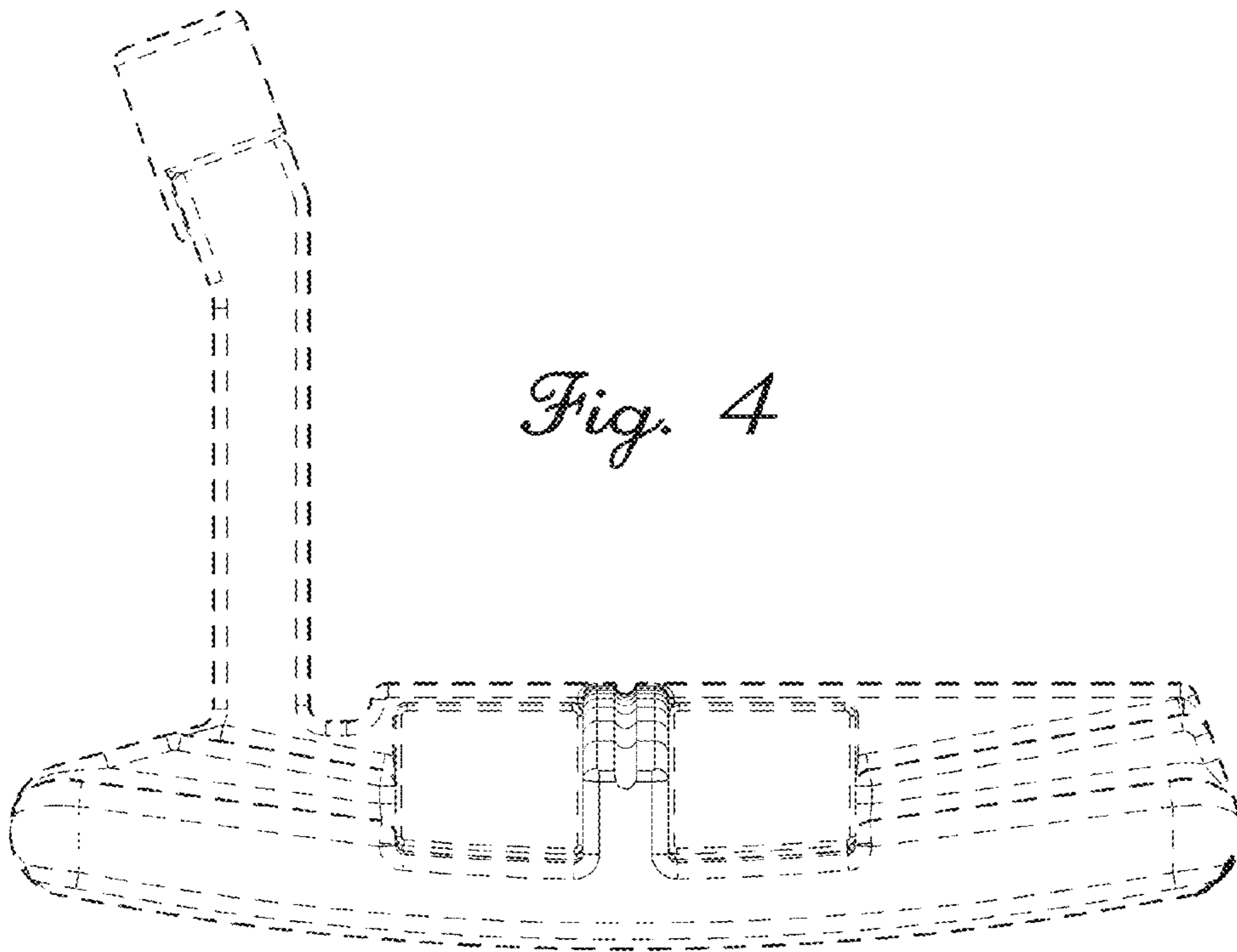


Fig. 4



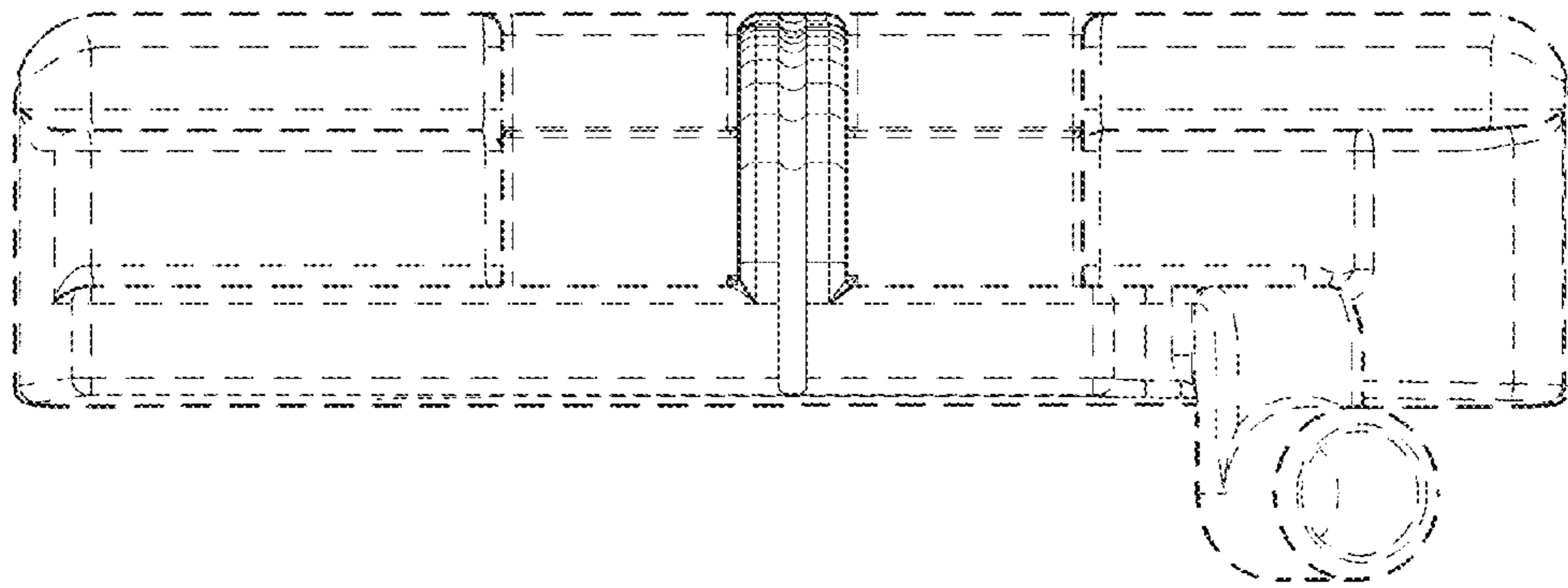


Fig. 5



Fig. 6

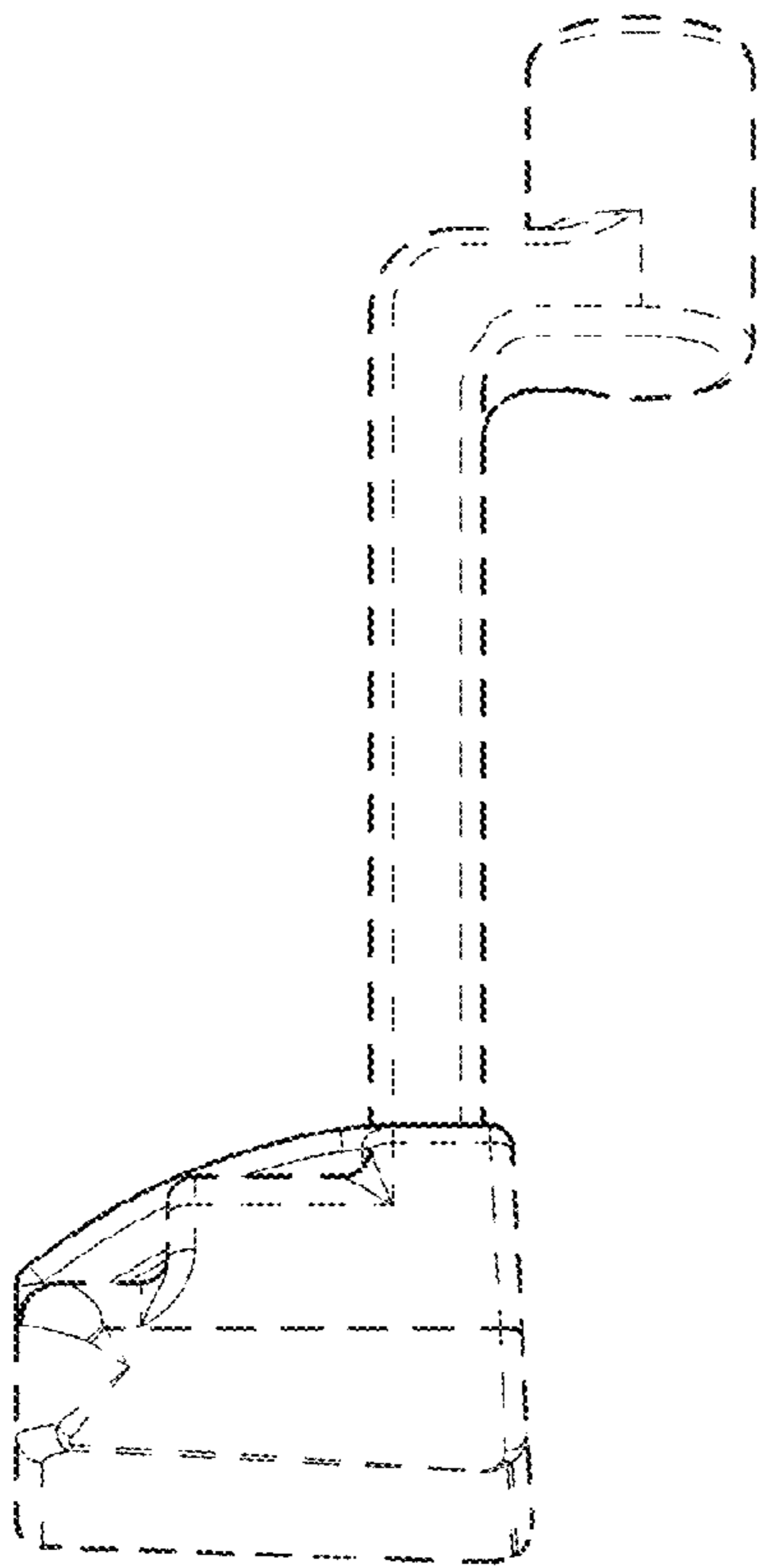


Fig. 7

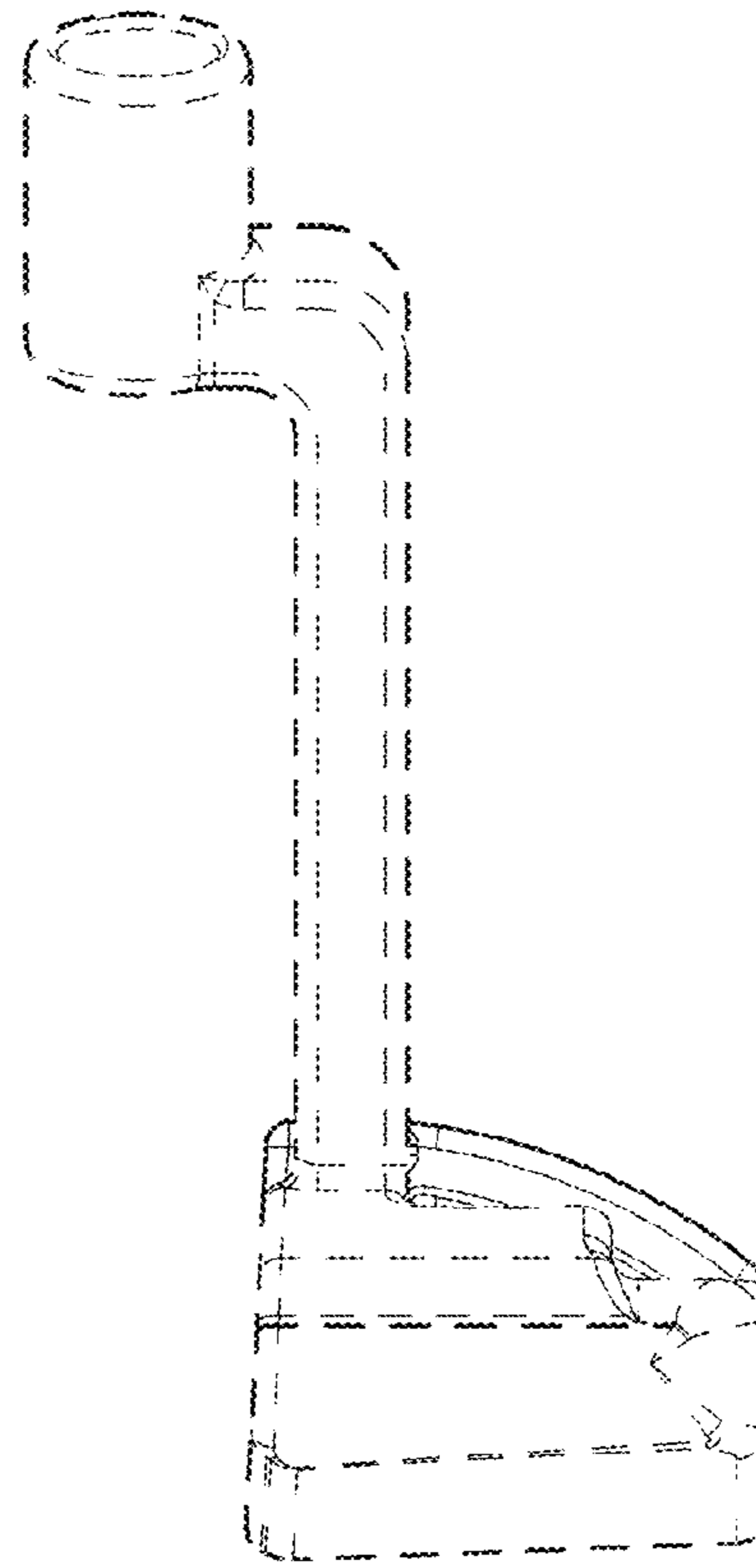


Fig. 8

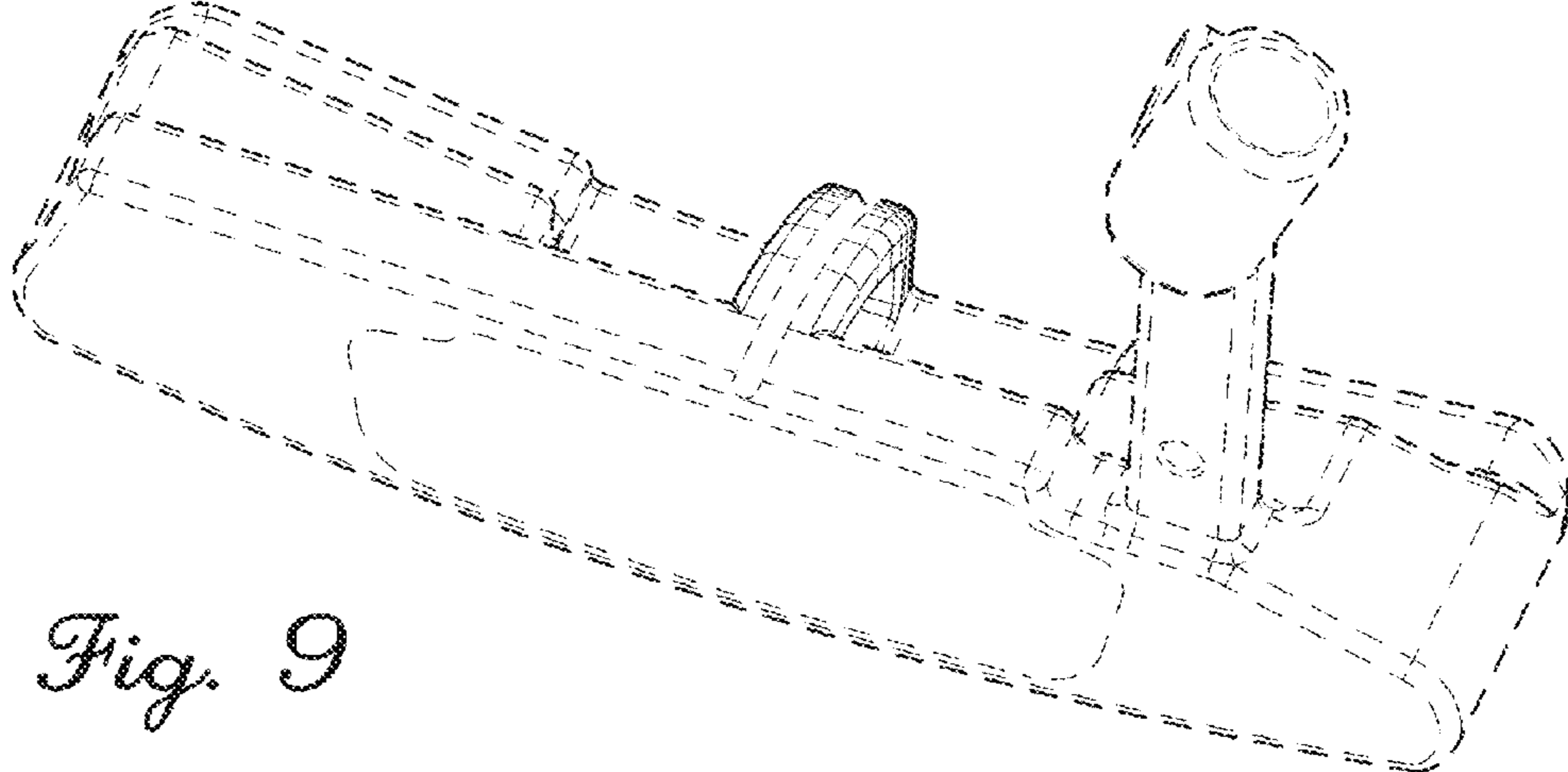


Fig. 9

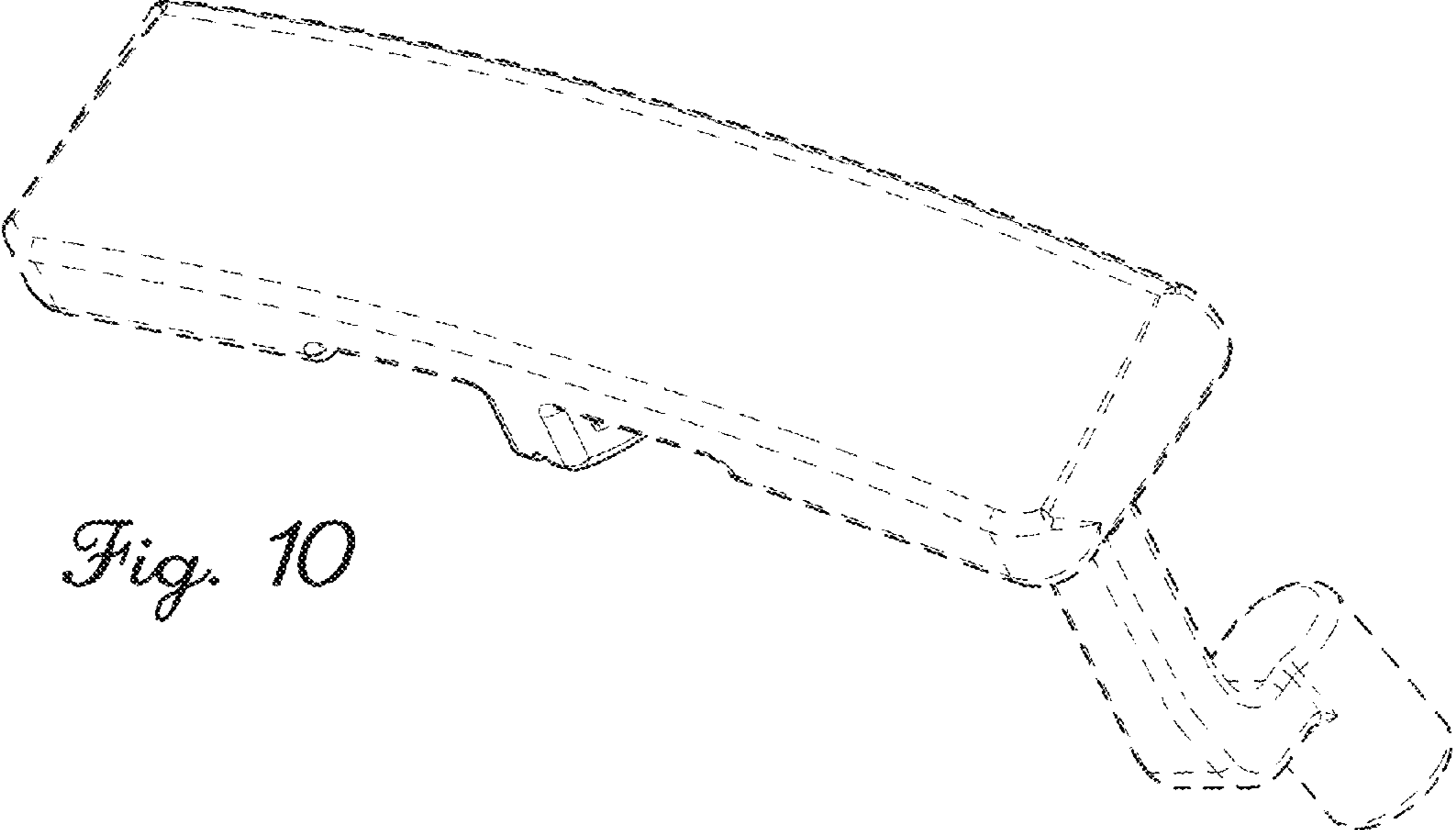


Fig. 10

Fig. 11

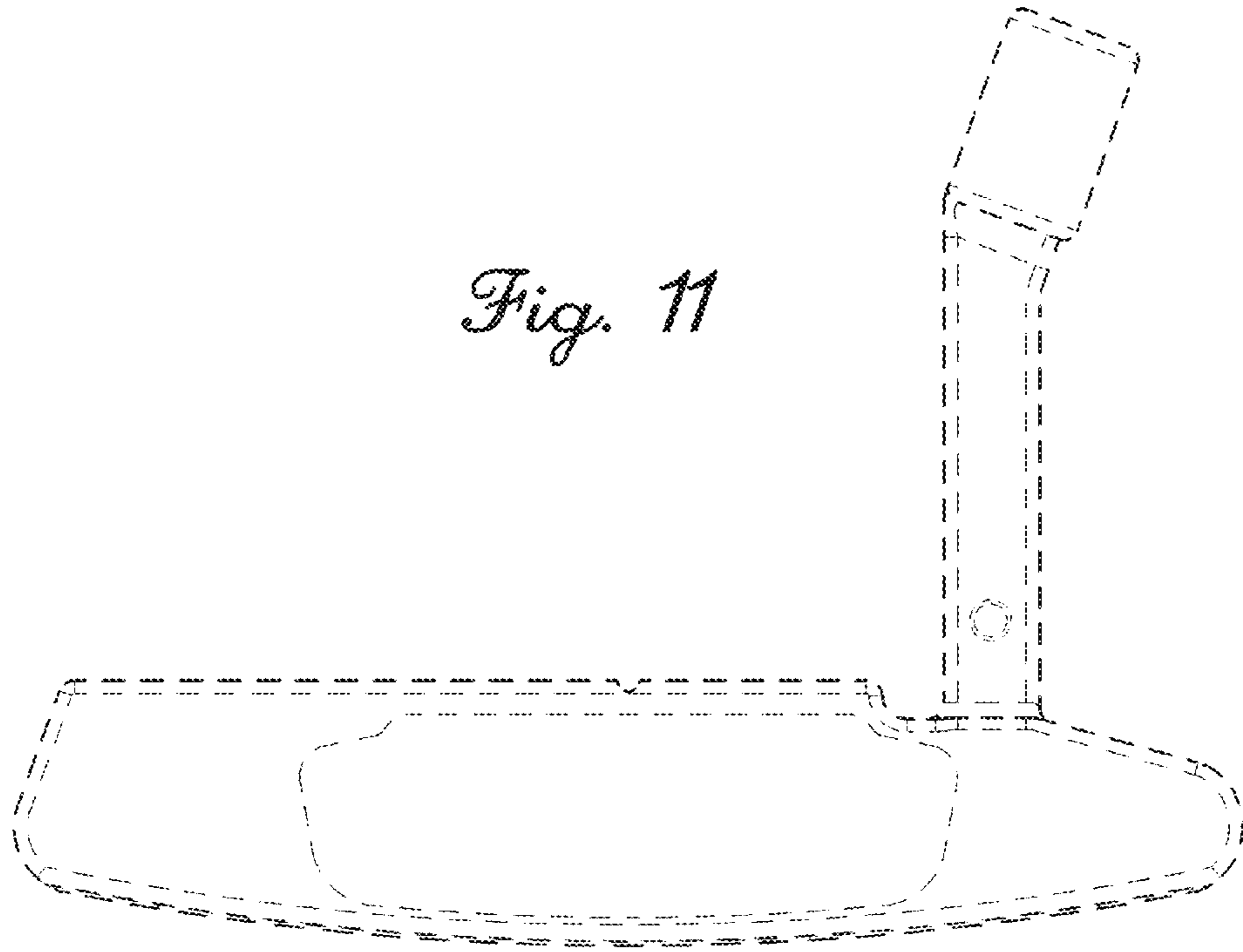
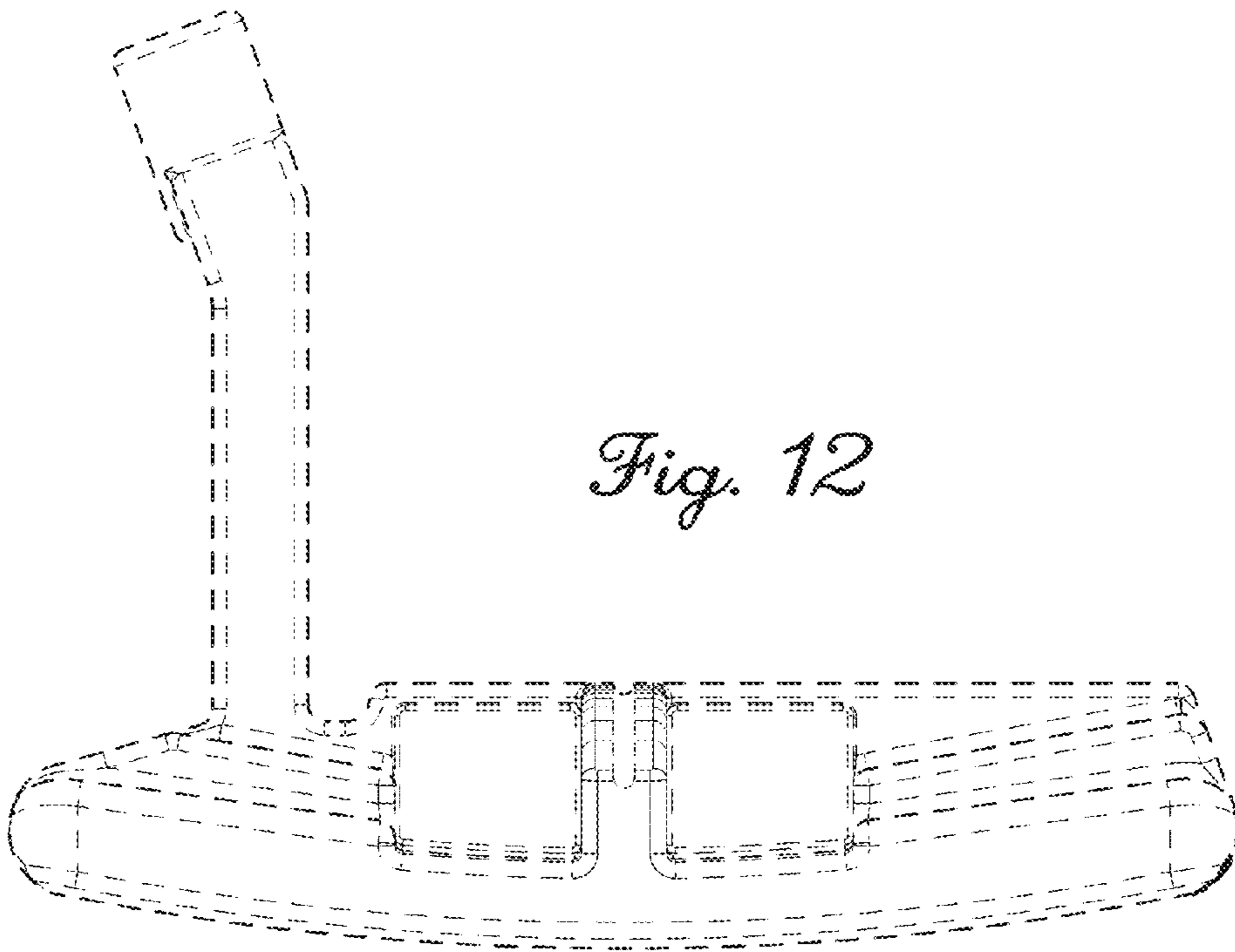


Fig. 12



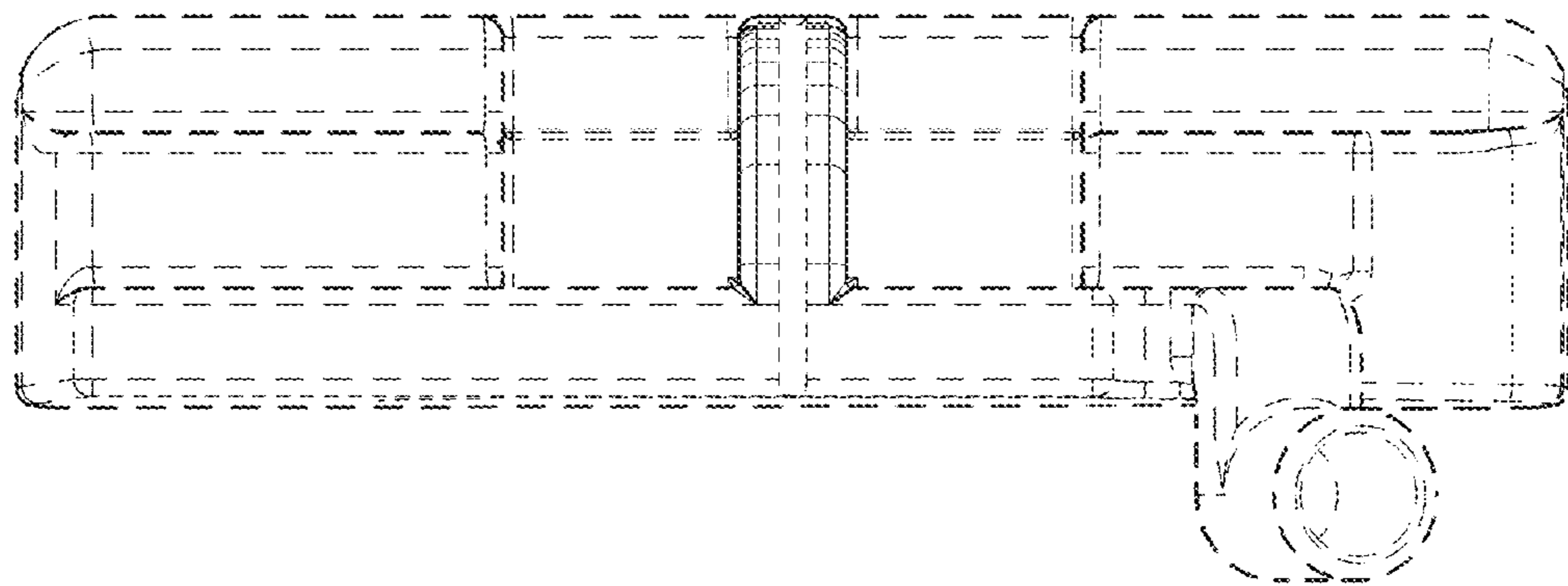


Fig. 13



Fig. 14

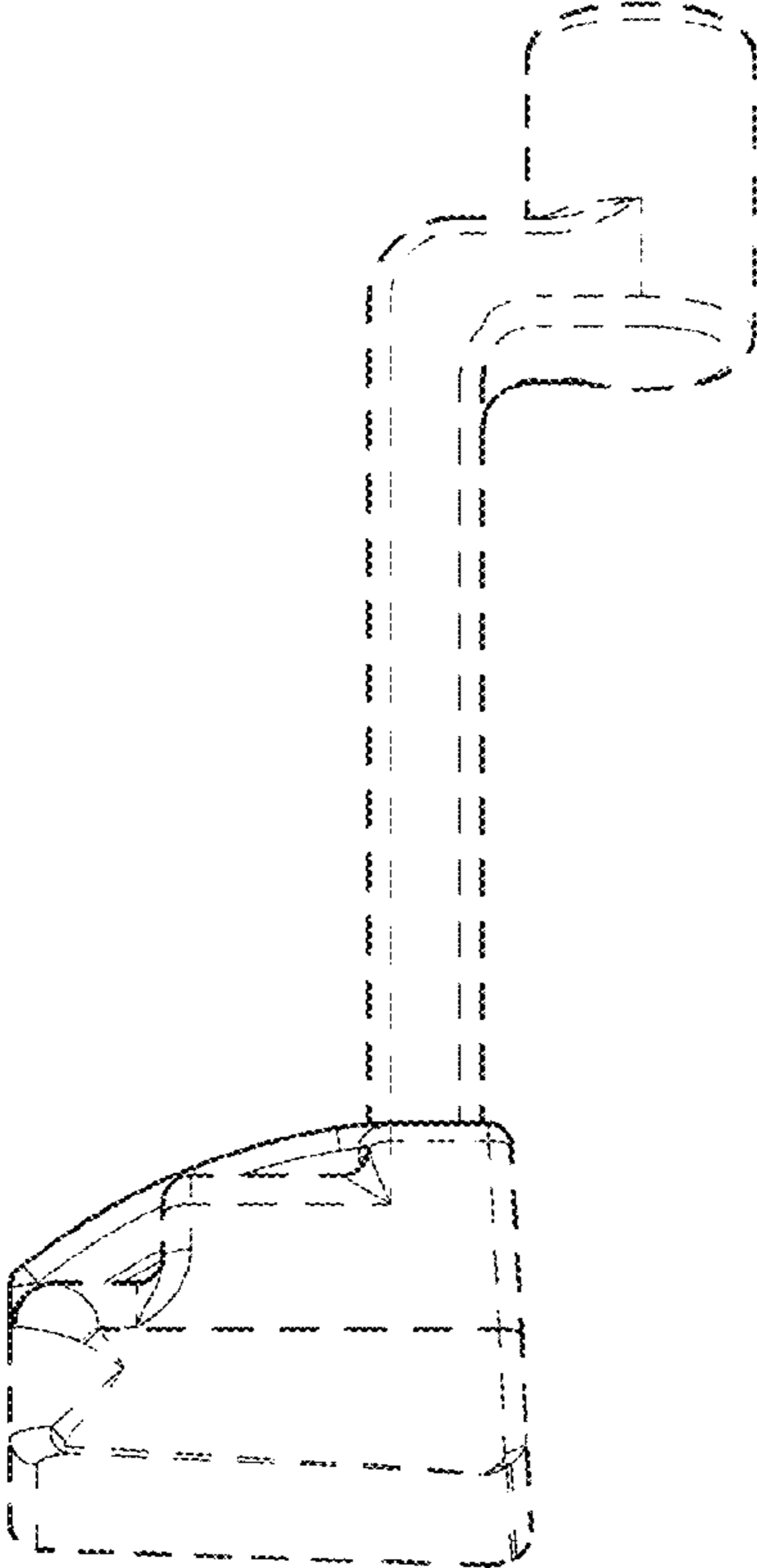


Fig. 15

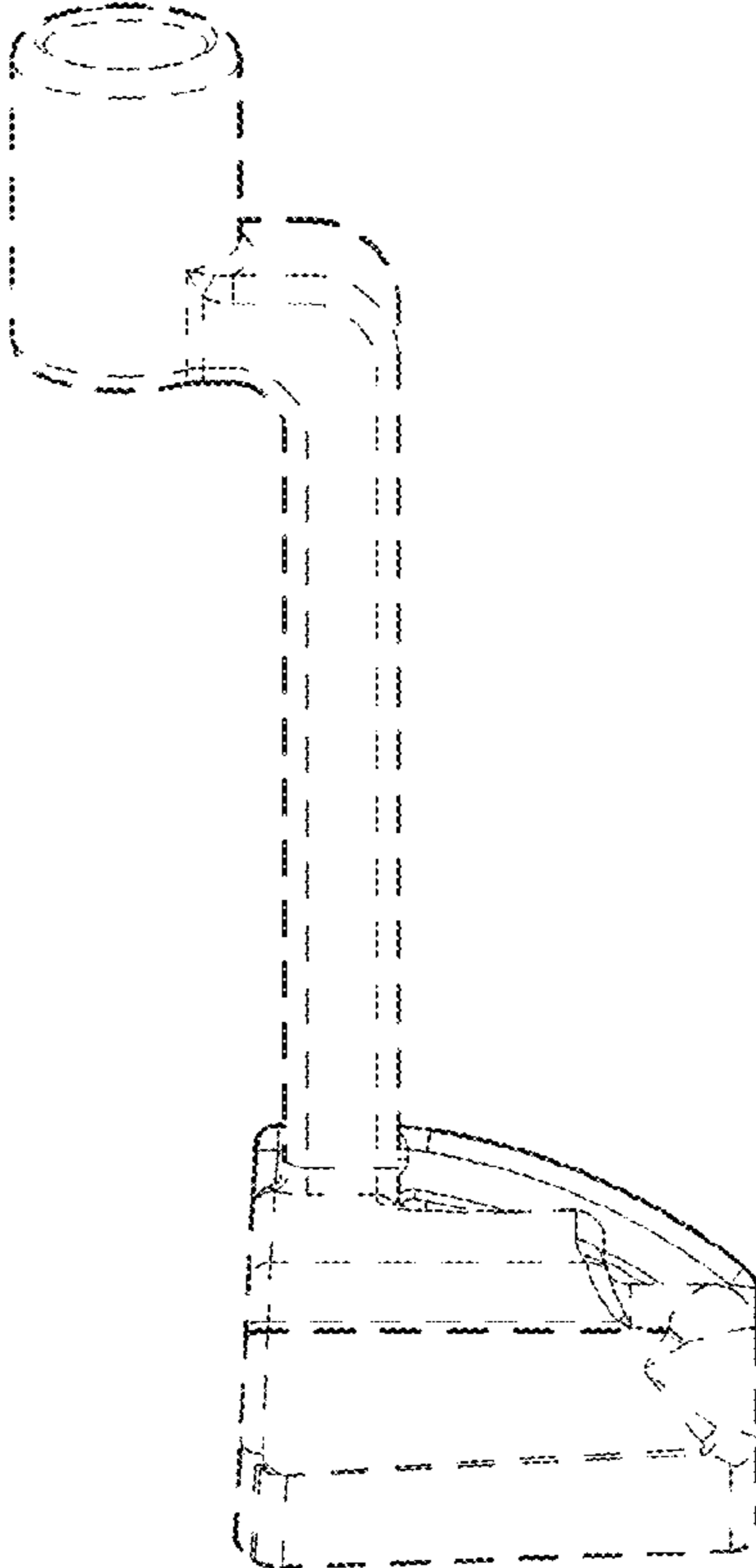


Fig. 16