



US00D720027S

(12) **United States Design Patent**
Voshall et al.

(10) **Patent No.:** **US D720,027 S**

(45) **Date of Patent:** **** Dec. 23, 2014**

(54) **IRON-TYPE GOLF CLUB HEAD**

(71) Applicant: **Mizuno USA, Inc.**, Norcross, GA (US)

(72) Inventors: **Chris Voshall**, Atlanta, GA (US);
Kazuhiro Doi, Osaka (JP); **Tsugunobu Sakamoto**, Osaka (JP)

(73) Assignee: **Mizuno USA, Inc.**, Norcross, GA (US)

(**) Term: **14 Years**

(21) Appl. No.: **29/468,619**

(22) Filed: **Oct. 1, 2013**

(51) **LOC (10) Cl.** **21-02**

(52) **U.S. Cl.**
USPC **D21/759**

(58) **Field of Classification Search**
USPC D21/747–751, 759; 473/324–331, 350
See application file for complete search history.

(56) **References Cited**

U.S. PATENT DOCUMENTS

D353,644 S	*	12/1994	Hirsch et al.	D21/748
D394,290 S	*	5/1998	Best et al.	D21/748
D401,637 S	*	11/1998	Best et al.	D21/747
D469,140 S	*	1/2003	Best	D21/759
D475,107 S	*	5/2003	Madore	D21/759
D475,108 S	*	5/2003	Madore	D21/759
D487,127 S	*	2/2004	Madore	D21/759
D516,649 S	*	3/2006	Imamoto	D21/747
D517,629 S	*	3/2006	Madore et al.	D21/759
D567,889 S	*	4/2008	Tang et al.	D21/752
D611,554 S	*	3/2010	Llewellyn et al.	D21/759

D619,183 S	*	7/2010	Llewellyn et al.	D21/759
D645,103 S	*	9/2011	Llewellyn et al.	D21/759
D647,986 S	*	11/2011	Atwell et al.	D21/747
D682,960 S	*	5/2013	Voshall et al.	D21/747
D682,962 S	*	5/2013	Llewellyn et al.	D21/747

* cited by examiner

Primary Examiner — Mitchell Siegel

(74) *Attorney, Agent, or Firm* — Troutman Sanders, LLP;
James E. Schutz; Daniel Sharpe

(57) **CLAIM**

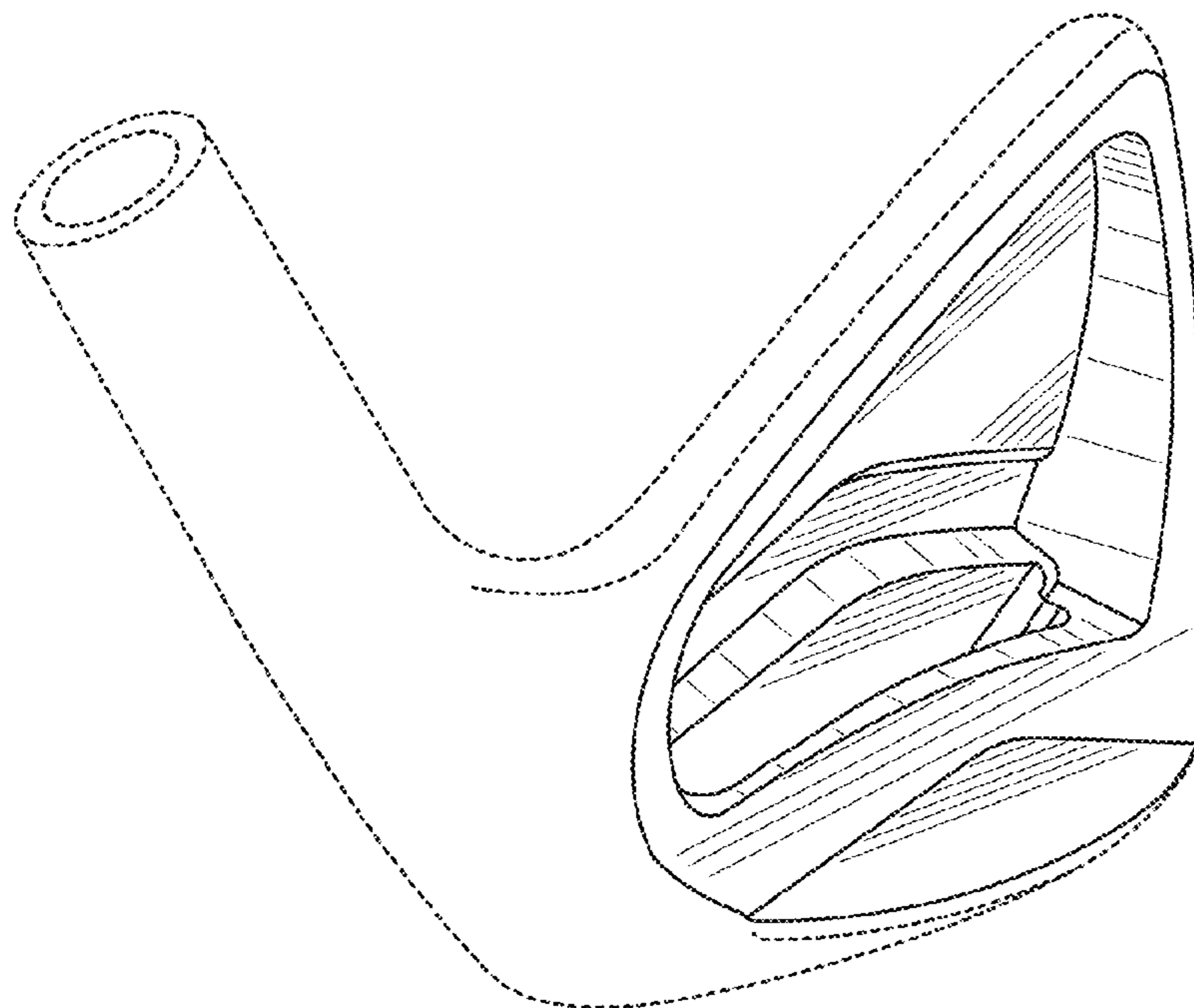
The ornamental design for an iron-type golf club head, as shown and described.

DESCRIPTION

FIG. 1 illustrates a front, left perspective view of an iron-type golf club head;
 FIG. 2 illustrates a front view of an iron-type golf club head;
 FIG. 3 illustrates a rear, left perspective view of an iron-type golf club head;
 FIG. 4 illustrates a bottom, rear perspective view of an iron-type golf club head;
 FIG. 5 illustrates a top view of an iron-type golf club head;
 FIG. 6 illustrates a right, rear perspective view of an iron-type golf club head;
 FIG. 7 illustrates a bottom perspective view of an iron-type golf club head; and,
 FIG. 8 illustrates another rear, left perspective view of an iron-type golf club head.

The broken, dashed lines shown in the various figures depicting embodiments of the invention are included for the purpose of illustrating environment and do not form any part of the claimed design.

1 Claim, 8 Drawing Sheets



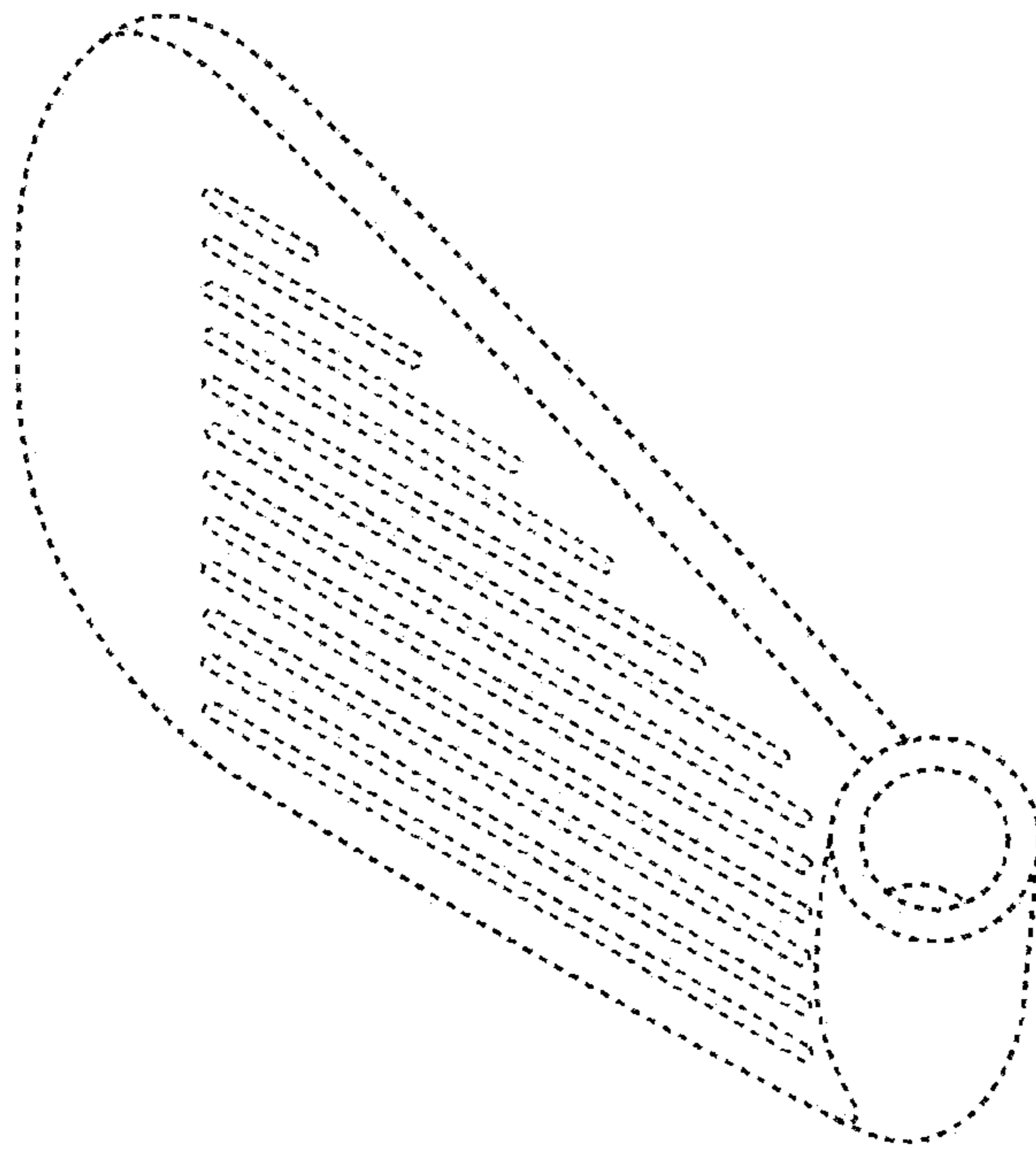


Figure 1

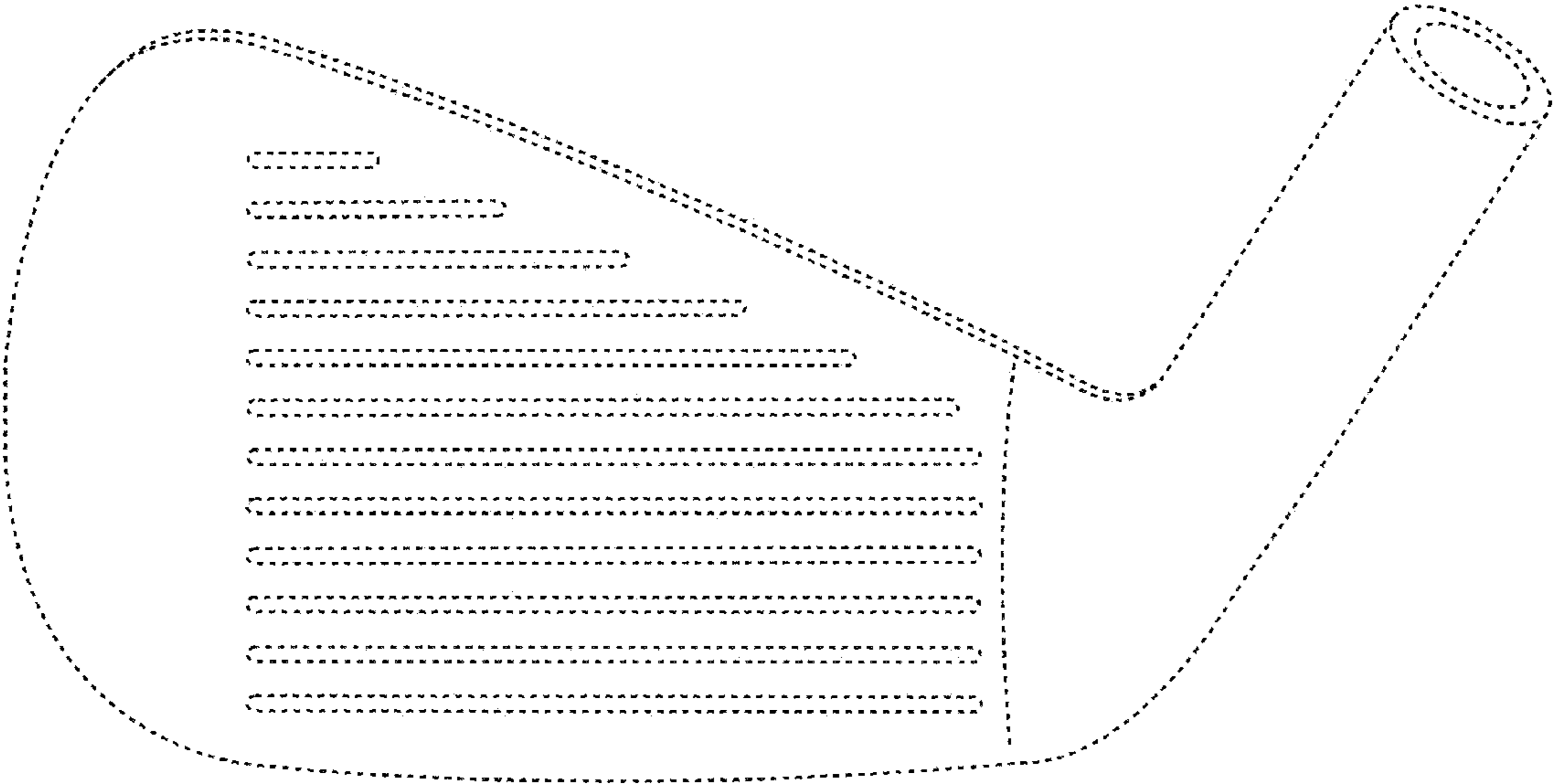


Figure 2

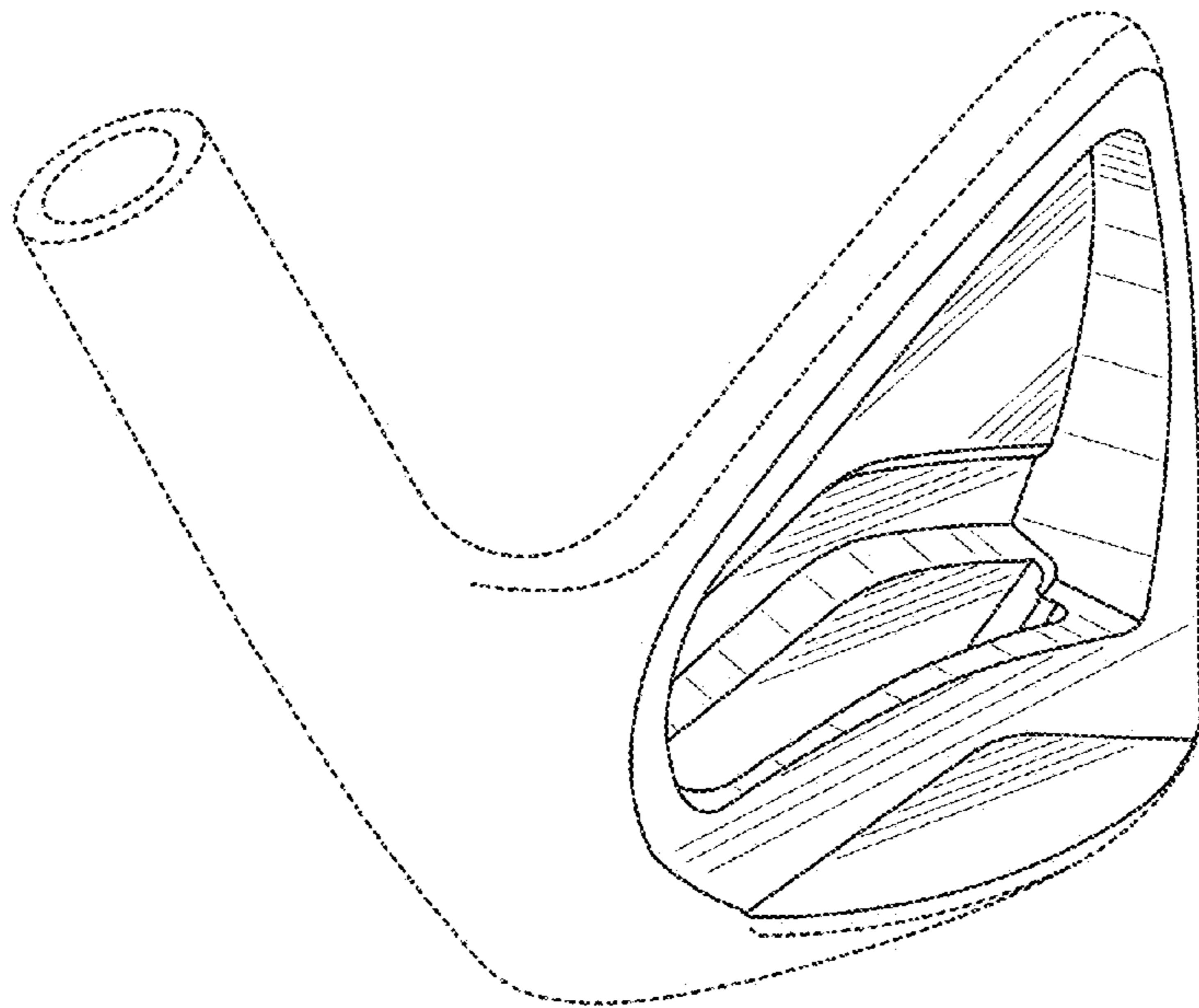


Figure 3

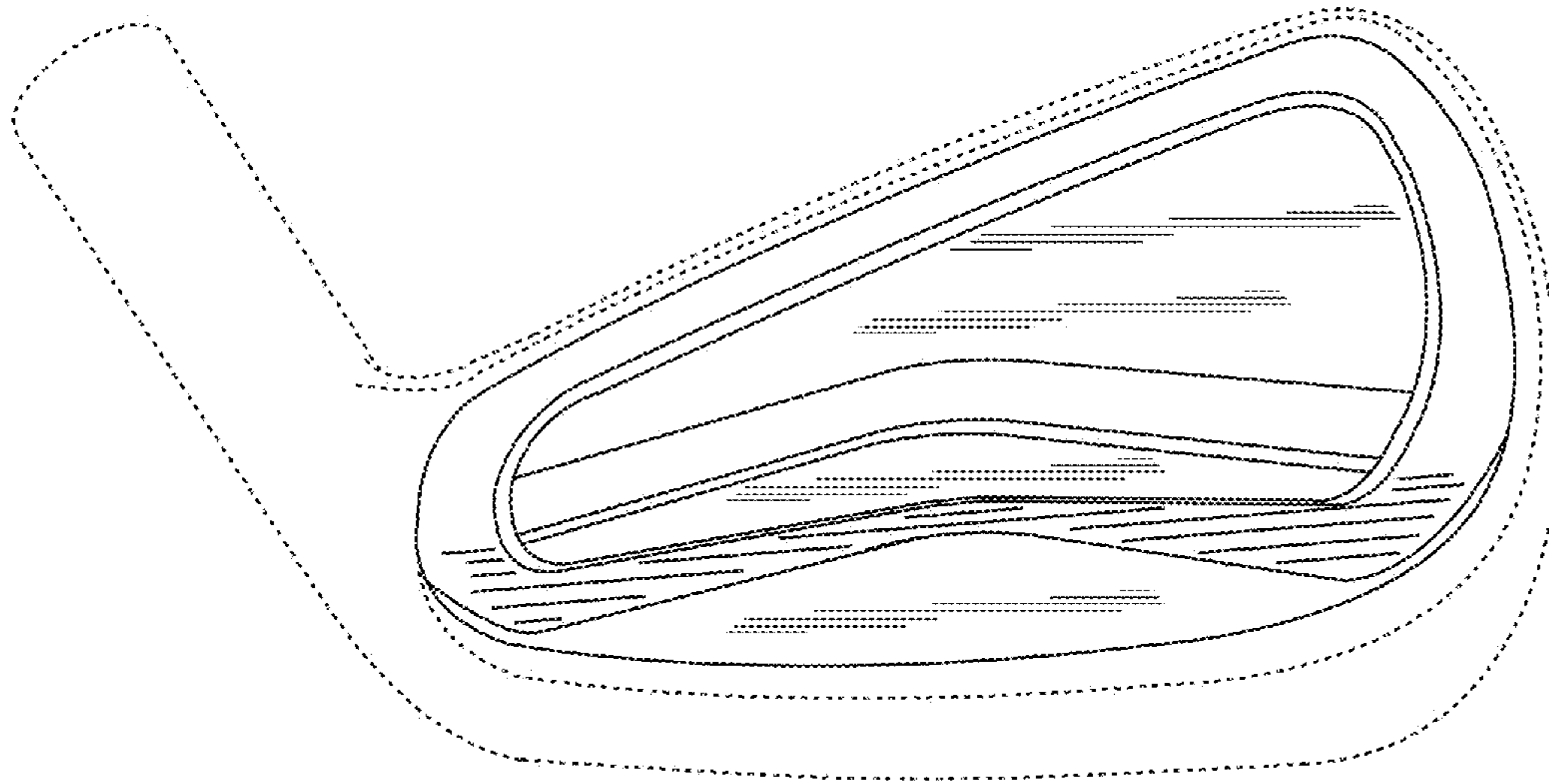


Figure 4

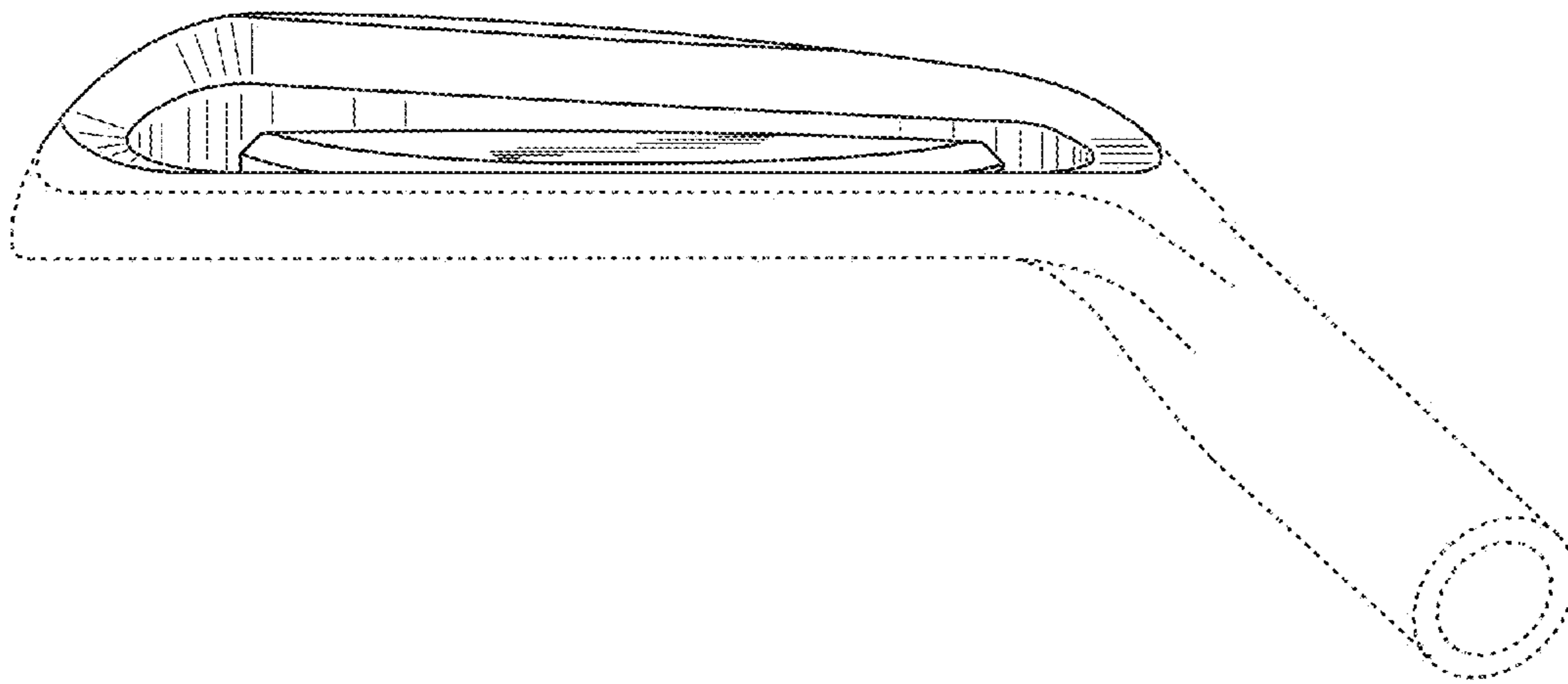


Figure 5

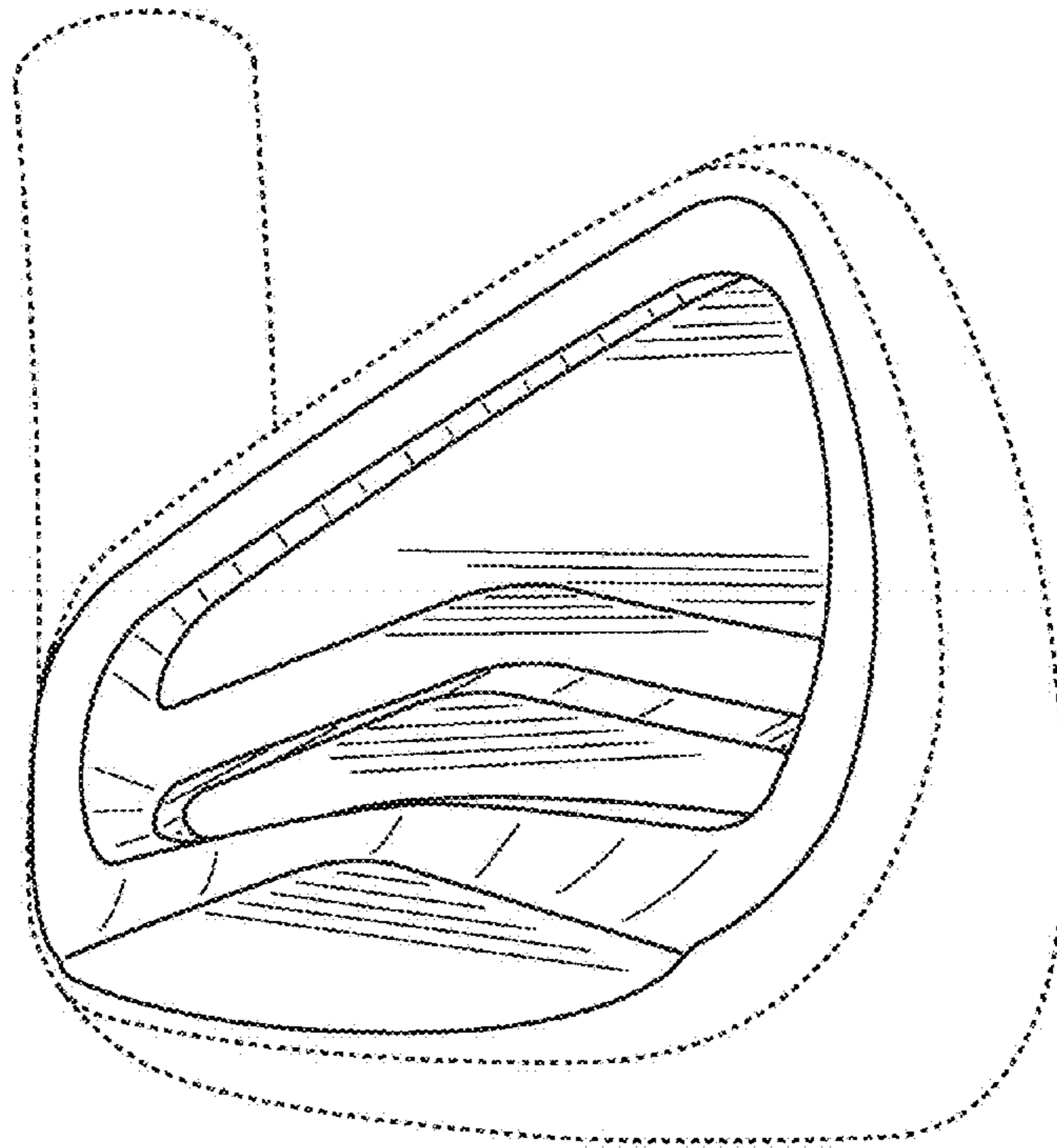


Figure 6

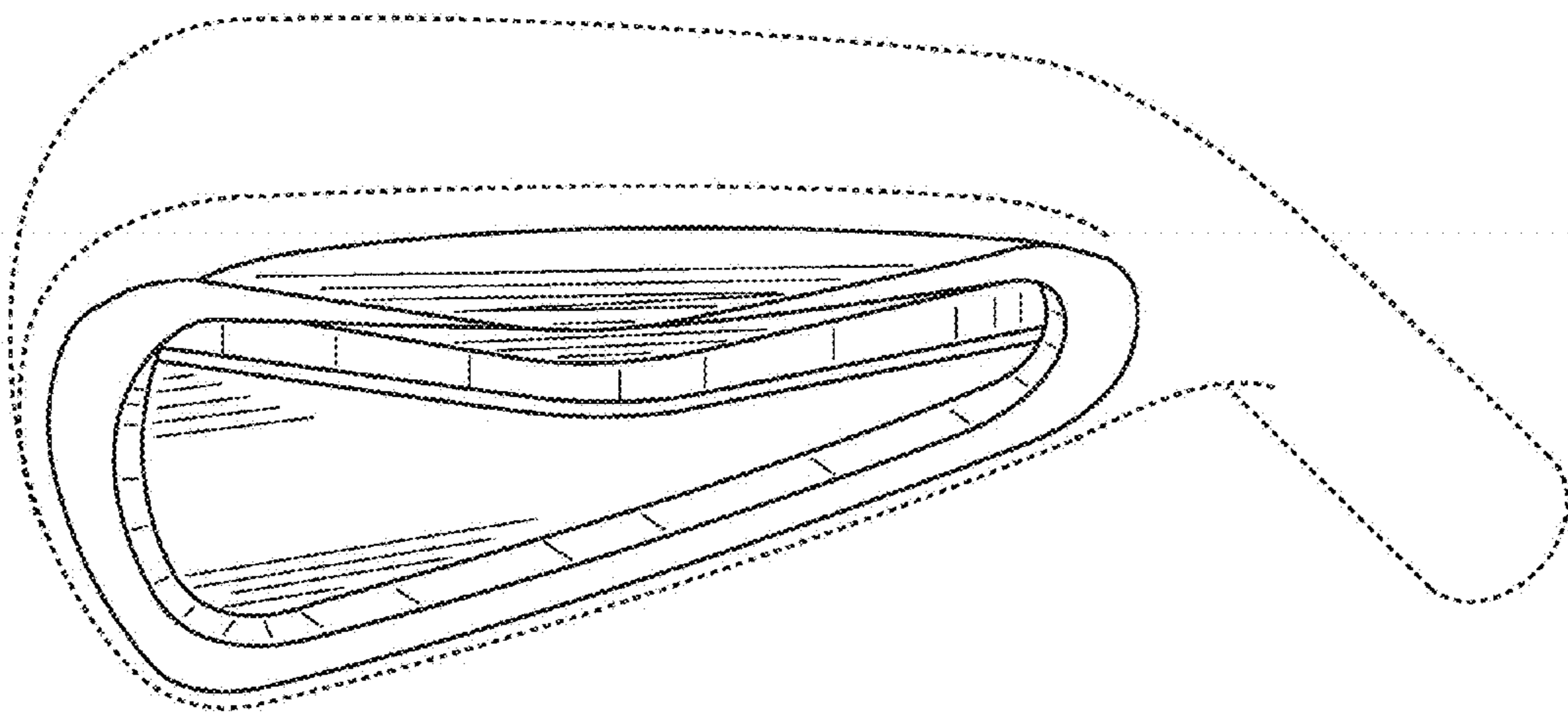


Figure 7

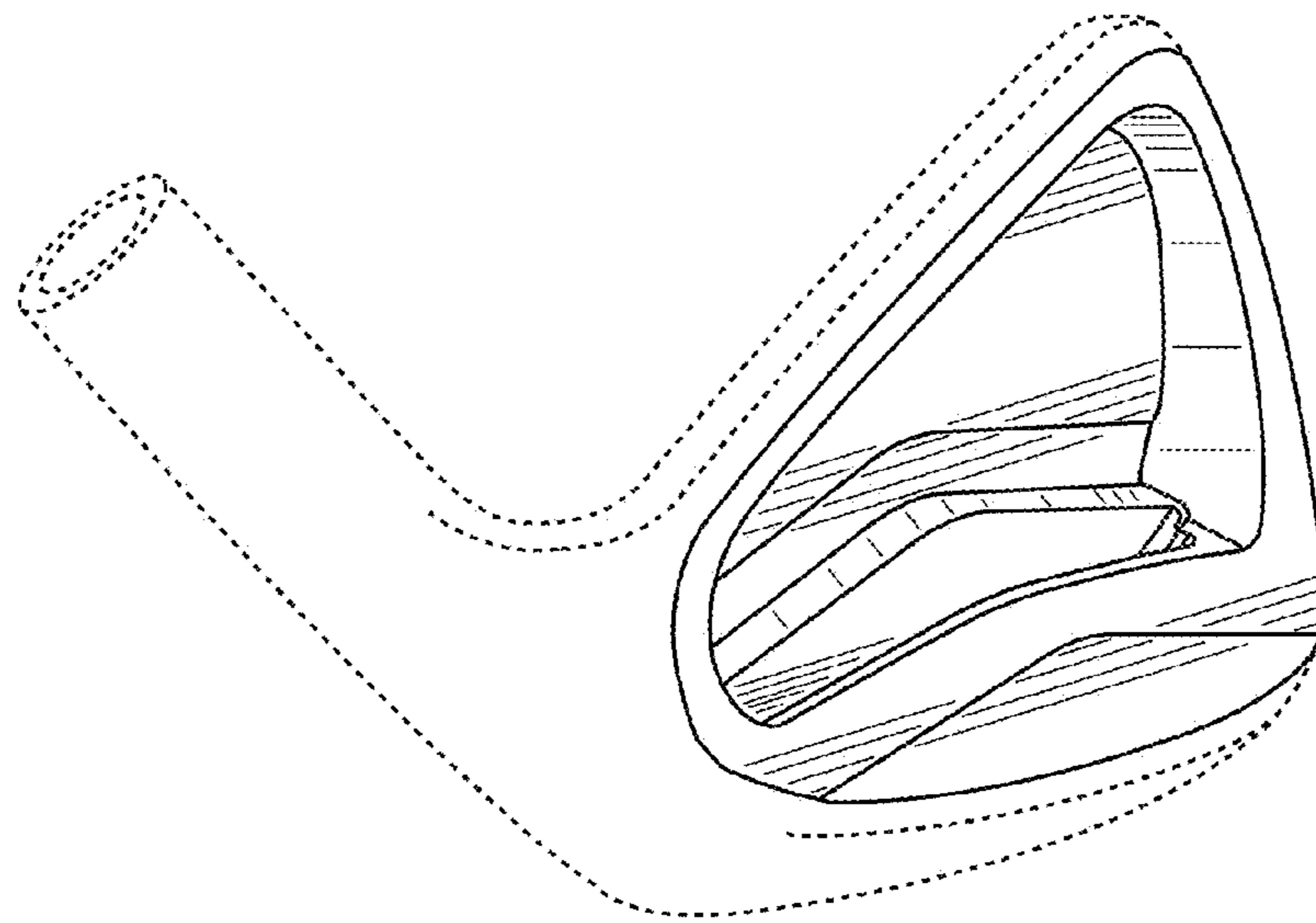


Figure 8