



US00D720025S

(12) **United States Design Patent**
Nicolette et al.

(10) **Patent No.:** **US D720,025 S**
(45) **Date of Patent:** **** Dec. 23, 2014**

- (54) **GOLF CLUB HEAD**
- (71) Applicant: **Karsten Manufacturing Corporation**,
Phoenix, AZ (US)
- (72) Inventors: **Michael R. Nicolette**, Scottsdale, AZ
(US); **Xiaojian Chen**, Phoenix, AZ
(US); **Ryan M. Stokke**, Phoenix, AZ
(US); **Brandon L. Fossum**, Phoenix, AZ
(US)
- (73) Assignee: **Karsten Manufacturing Corporation**,
Phoenix, AZ (US)
- (**) Term: **14 Years**
- (21) Appl. No.: **29/467,884**
- (22) Filed: **Sep. 24, 2013**
- (51) **LOC (10) Cl.** **21-02**
- (52) **U.S. Cl.**
USPC **D21/759**
- (58) **Field of Classification Search**
USPC D21/752, 759; 473/324–331, 343–346
See application file for complete search history.

- D379,391 S 5/1997 Moore
- 5,658,206 A 8/1997 Antonious
- D383,511 S 9/1997 Lo
- 5,795,245 A 8/1998 Chang
- D398,682 S 9/1998 Moore
- D402,340 S 12/1998 Sheets
- D402,726 S * 12/1998 McCabe et al. D21/753

(Continued)

OTHER PUBLICATIONS

Xiaojian Chen et al., "Golf Club Head," U.S. Appl. No. 29/437,030,
filed Nov. 12, 2012.

(Continued)

Primary Examiner — Mitchell Siegel
(74) *Attorney, Agent, or Firm* — Bryan Cave LLP

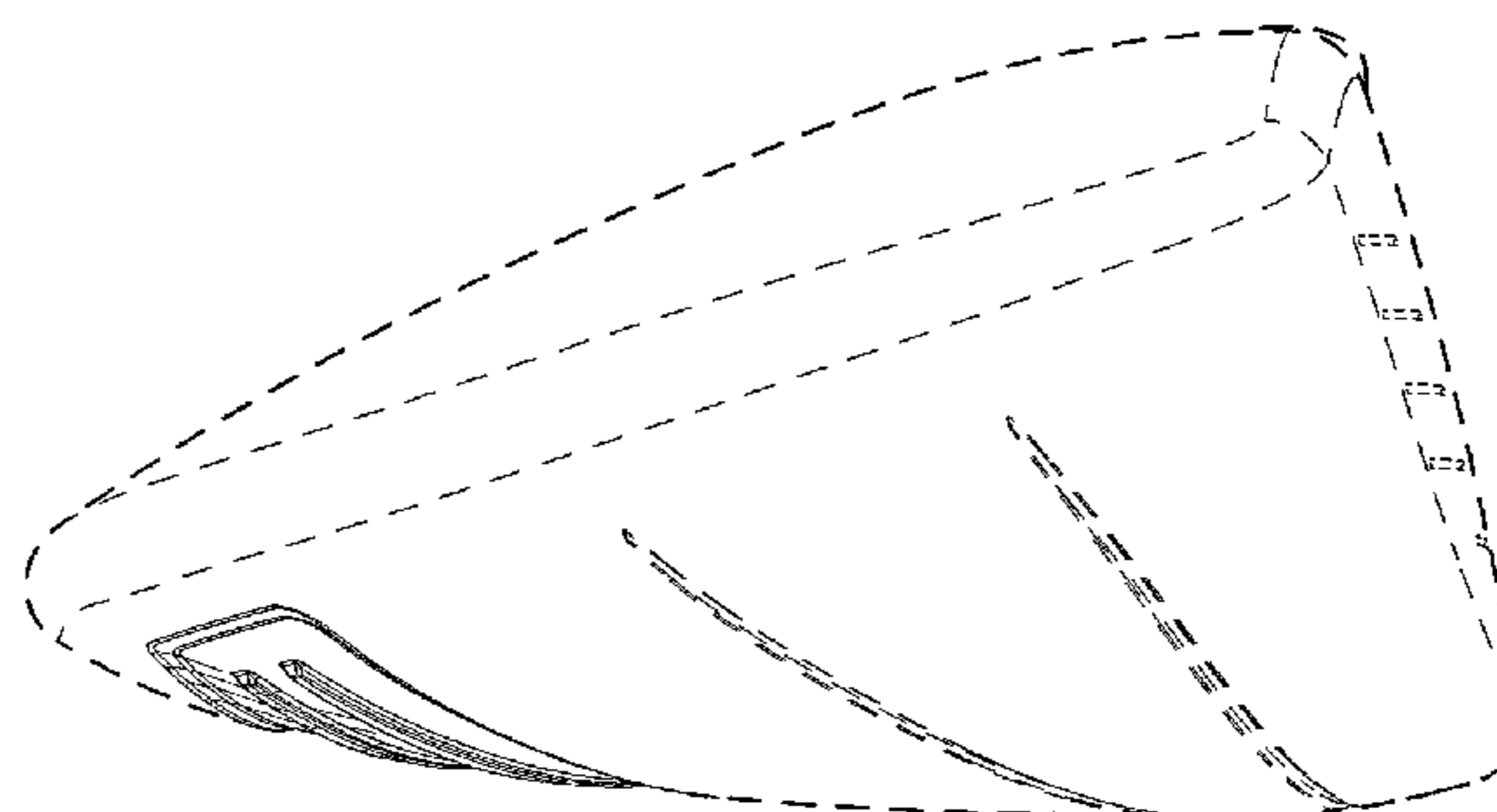
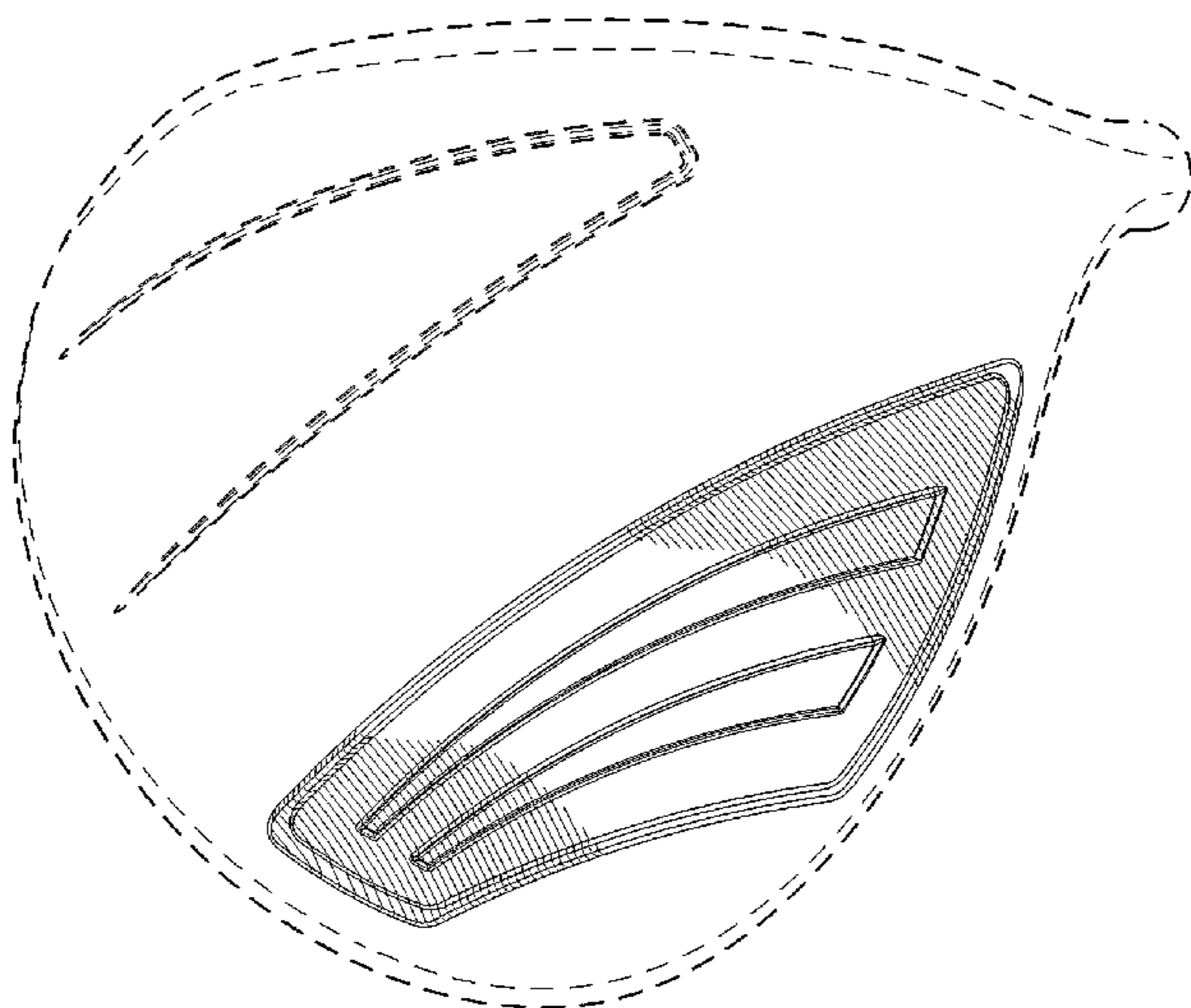
(57) **CLAIM**
The ornamental design for a golf club head, as shown and
described.

DESCRIPTION

FIG. 1 is a top perspective view of a golf club head;
FIG. 2 is a bottom perspective view of the golf club head of
FIG. 1;
FIG. 3 is a front elevational view of the golf club head of FIG.
1;
FIG. 4 is a rear elevational view of the golf club head of FIG.
1;
FIG. 5 is a top view of the golf club head of FIG. 1;
FIG. 6 is a bottom view of the golf club head of FIG. 1;
FIG. 7 is a left side view of the golf club head of FIG. 1; and,
FIG. 8 is a right side view of the golf club head of FIG. 1.
The broken lines shown in one or more of the figures are for
illustrative purposes only and form no part of the claimed
design.

1 Claim, 5 Drawing Sheets

- (56) **References Cited**
U.S. PATENT DOCUMENTS
- 1,993,928 A 3/1935 Glover
- 2,041,676 A 5/1936 Gallagher
- 2,756,055 A 7/1956 Bittner
- D248,179 S 6/1978 Riley
- 4,139,196 A 2/1979 Riley
- D307,783 S 5/1990 Inuma
- 5,221,086 A 6/1993 Antonious
- 5,310,186 A 5/1994 Karsten
- 5,335,914 A 8/1994 Long
- D352,755 S 11/1994 Cornish, III
- D357,290 S 4/1995 Viollaz
- 5,547,188 A 8/1996 Dumontier



(56)

References Cited

U.S. PATENT DOCUMENTS

D404,098 S	1/1999	Ishikawa		D564,054 S	3/2008	Jertson	
5,980,394 A	11/1999	Domas		D564,055 S	3/2008	Jertson	
D418,888 S	1/2000	Williams		D564,056 S	3/2008	Chen	
D425,589 S	5/2000	Ishikawa		D566,214 S	4/2008	Evans	
D425,953 S *	5/2000	Glod	D21/759	D567,317 S	4/2008	Jertson	
D426,604 S	6/2000	Besnard		D567,891 S	4/2008	Serrano	
6,074,310 A	6/2000	Ota		D569,933 S	5/2008	Jertson	
6,080,069 A	6/2000	Long		D569,934 S	5/2008	Jertson	
D433,073 S	10/2000	Sodano		D569,935 S	5/2008	Schweigert	
D437,018 S *	1/2001	Leysock	D21/752	D569,936 S	5/2008	Schweigert	
D441,818 S	5/2001	Sato		D569,937 S *	5/2008	Sanchez et al.	D21/752
D442,245 S	5/2001	Roach		D569,938 S	5/2008	Sanchez	
D445,470 S	7/2001	Teramoto		D570,937 S	6/2008	Schweigert	
D446,268 S	8/2001	Satoh		D570,938 S	6/2008	Jertson	
D446,563 S	8/2001	Besnard		D570,939 S	6/2008	Chen	
D461,865 S	8/2002	Nagai		D570,940 S	6/2008	Chen	
D462,101 S *	8/2002	Debenon	D21/752	D570,941 S	6/2008	Chen	
D463,838 S	10/2002	Besnard		D571,882 S	6/2008	Soracco	
D465,251 S	11/2002	Wood		D572,324 S	7/2008	Chen	
6,475,102 B2	11/2002	Helmstetter		D572,782 S *	7/2008	Sanchez et al.	D21/752
D469,141 S *	1/2003	Poynor et al.	D21/759	D572,783 S	7/2008	Sanchez	
D472,950 S	4/2003	Burnett		D572,784 S	7/2008	Sanchez	
D482,421 S	11/2003	Kessler		D572,785 S	7/2008	Chen	
D490,489 S	5/2004	Madore		D572,787 S *	7/2008	Sanchez et al.	D21/759
D492,745 S	7/2004	Tang		D572,791 S	7/2008	Jertson	
D502,976 S	3/2005	Nishitani		D573,213 S	7/2008	Sanchez	
D508,544 S	8/2005	Madore		D573,214 S	7/2008	Sanchez	
D509,272 S	9/2005	Smith		D573,215 S	7/2008	Sanchez	
6,939,247 B1	9/2005	Schweigert		D573,216 S	7/2008	Sanchez	
D513,424 S *	1/2006	Erickson et al.	D21/752	D573,217 S	7/2008	Sanchez	
D514,179 S	1/2006	Chen		D573,218 S	7/2008	Sanchez	
6,988,960 B2	1/2006	Mahaffey		D573,674 S	7/2008	Sanchez	
D518,129 S *	3/2006	Poynor et al.	D21/759	D573,675 S	7/2008	Sanchez	
D518,543 S *	4/2006	Aguinaldo et al.	D21/759	D573,676 S	7/2008	Chen	
D521,093 S	5/2006	Jorgensen		D573,678 S	7/2008	Kawami	
D522,077 S	5/2006	Schweigert		D574,046 S	7/2008	Chen	
D522,601 S	6/2006	Schweigert		D574,048 S	7/2008	Kadoya	
D523,103 S	6/2006	Hocknell		D574,049 S	7/2008	Kadoya	
D523,498 S	6/2006	Chen		D574,050 S	7/2008	Jones	
D523,502 S *	6/2006	Jorgensen	D21/752	7,396,296 B2	7/2008	Evans	
D526,694 S	8/2006	Schweigert		D574,456 S	8/2008	Chen	
D529,111 S *	9/2006	Cleveland et al.	D21/752	D578,587 S	10/2008	Hoffman	
D530,761 S	10/2006	Evans		D579,066 S	10/2008	Dipert	
D532,473 S	11/2006	Chen		D579,067 S	10/2008	Hoffman	
D532,474 S	11/2006	Bennett		D580,504 S	11/2008	Bosilkovski	
D532,854 S	11/2006	Oldknow		D583,432 S	12/2008	Serrano	
D535,343 S	1/2007	Chen		D587,772 S	3/2009	Ferguson	
D536,049 S	1/2007	Evans		D588,217 S	3/2009	Jertson	
D537,139 S	2/2007	Breier		D588,220 S	3/2009	Ferguson	
D537,495 S	2/2007	Schweigert		D588,659 S	3/2009	Jertson	
D537,496 S	2/2007	Serrano		D589,576 S	3/2009	Kadoya	
D537,895 S	3/2007	Breier		7,503,854 B2	3/2009	Galloway	
D538,363 S	3/2007	Schweigert		D591,810 S	5/2009	Murphy	
D538,371 S	3/2007	Kawami		D591,817 S	5/2009	Murphy	
D538,866 S	3/2007	Kim		D591,818 S	5/2009	Roberts	
D538,867 S	3/2007	Cleveland		D594,518 S	6/2009	Schweigert	
D539,371 S	3/2007	Serrano		D594,521 S	6/2009	Jertson	
D541,364 S *	4/2007	Barez et al.	D21/759	D594,919 S	6/2009	Schweigert	
D547,815 S	7/2007	Tang		D595,381 S	6/2009	Waggoner	
D550,318 S	9/2007	Oldknow		D596,252 S	7/2009	Jertson	
D550,799 S	9/2007	Lin		D598,062 S *	8/2009	Dipert et al.	D21/752
D552,198 S	10/2007	Schweigert		D600,297 S	9/2009	Jertson	
D553,206 S	10/2007	Morales		D603,472 S	11/2009	Schweigert	
D554,719 S *	11/2007	Barez et al.	D21/752	D603,919 S	11/2009	Gray	
D554,720 S *	11/2007	Barez et al.	D21/752	D604,376 S	11/2009	Darley	
D555,745 S	11/2007	Rollinson		D609,293 S	2/2010	Williams	
D557,362 S	12/2007	Serrano		D609,294 S	2/2010	Oldknow	
D557,363 S	12/2007	Jertson		D611,555 S	3/2010	Oldknow	
D558,287 S	12/2007	Jertson		D612,005 S	3/2010	Oldknow	
D558,288 S	12/2007	Jertson		D613,805 S	4/2010	Sutovsky	
D561,286 S	2/2008	Morales		D618,747 S	6/2010	Schweigert	
D561,856 S *	2/2008	Barez et al.	D21/752	D618,753 S	6/2010	Jertson	
D562,421 S	2/2008	Jertson		D618,754 S *	6/2010	Schweigert et al.	D21/759
7,326,472 B2	2/2008	Shimazaki		D621,892 S	8/2010	Kohno	
D563,498 S	3/2008	Jertson		7,892,111 B2	2/2011	Morales	
				D635,626 S	4/2011	Nicolette	
				D638,896 S *	5/2011	Schweigert et al.	D21/759
				8,012,034 B1	9/2011	Cackett	
				D647,585 S *	10/2011	Jertson et al.	D21/759

(56)

References Cited

U.S. PATENT DOCUMENTS

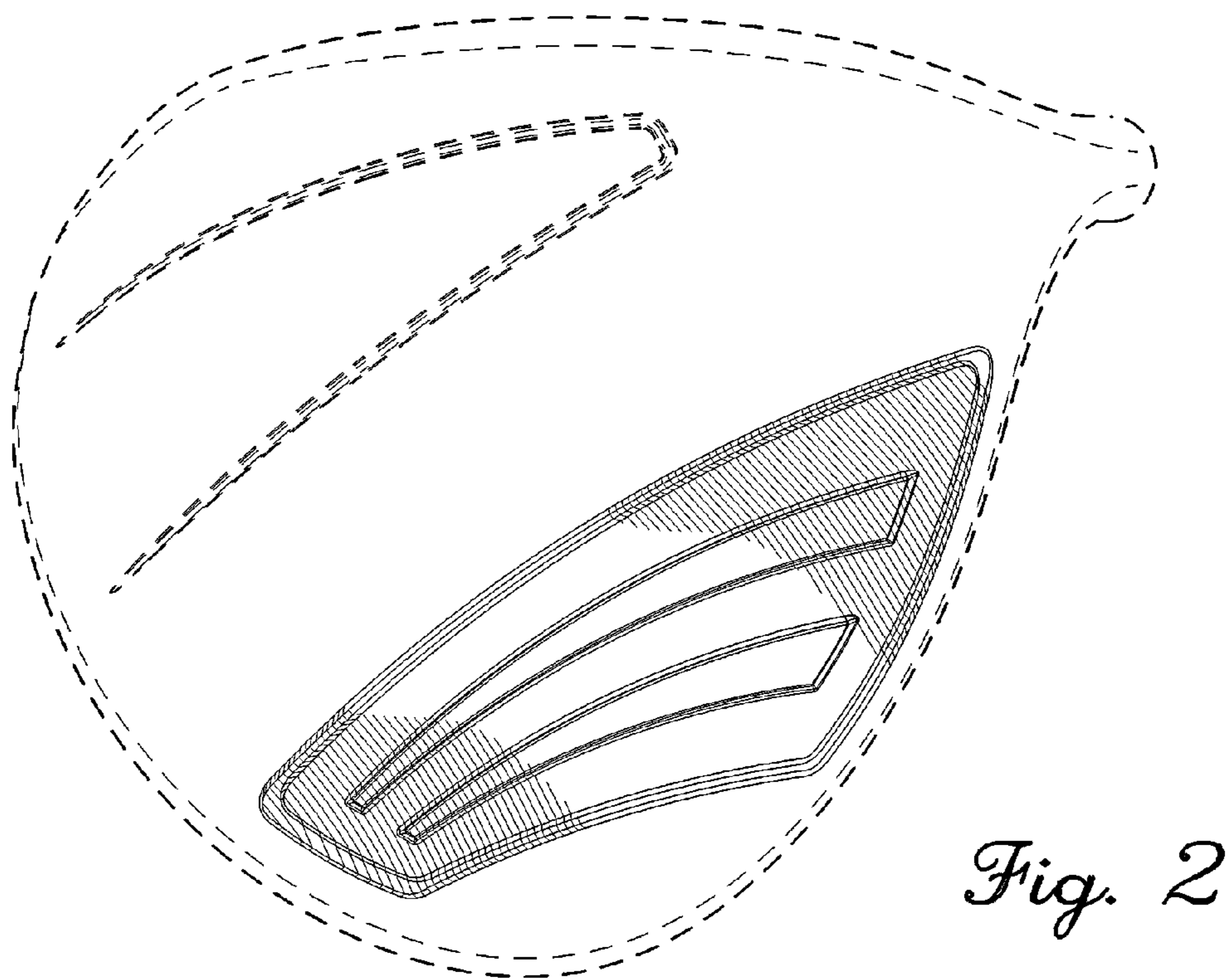
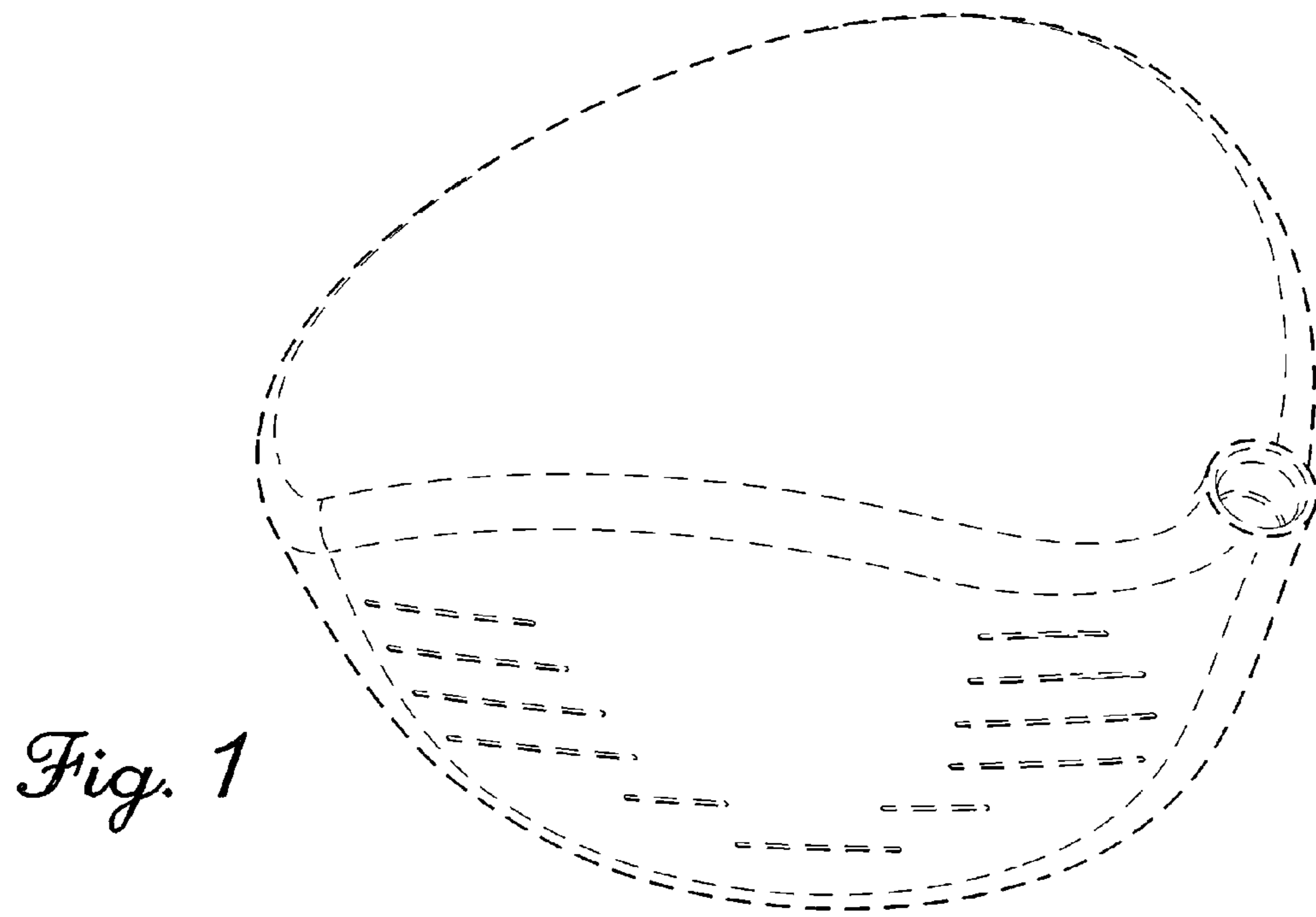
D661,751 S 6/2012 Nicolette
D661,752 S 6/2012 Stokke
D661,756 S 6/2012 Nicolette
D661,757 S * 6/2012 Stokke et al. D21/759
8,337,326 B2 12/2012 Lukasiewicz, Jr.
D673,630 S 1/2013 Schweigert
D680,179 S 4/2013 Solheim
D687,503 S 8/2013 Solheim
D691,230 S * 10/2013 Chen et al. D21/759
D705,879 S * 5/2014 Chen et al. D21/752
D708,687 S * 7/2014 Vrska et al. D21/759
D709,153 S * 7/2014 Fossum et al. D21/759

D709,574 S * 7/2014 Bacon et al. D21/759
2005/0043117 A1 2/2005 Gilbert
2008/0039228 A1 2/2008 Breier
2008/0171612 A1 7/2008 Serrano
2008/0188322 A1 8/2008 Anderson
2009/0275419 A1 11/2009 Cackett
2011/0143858 A1 6/2011 Peralta

OTHER PUBLICATIONS

Ryan M. Stokke et al., "Golf Club Head," U.S. Appl. No. 29/455,657, filed May 23, 2013.
Cory S. Bacon et al., "Golf Club Head," U.S. Appl. No. 29/458,022, filed Jun. 14, 2013.

* cited by examiner



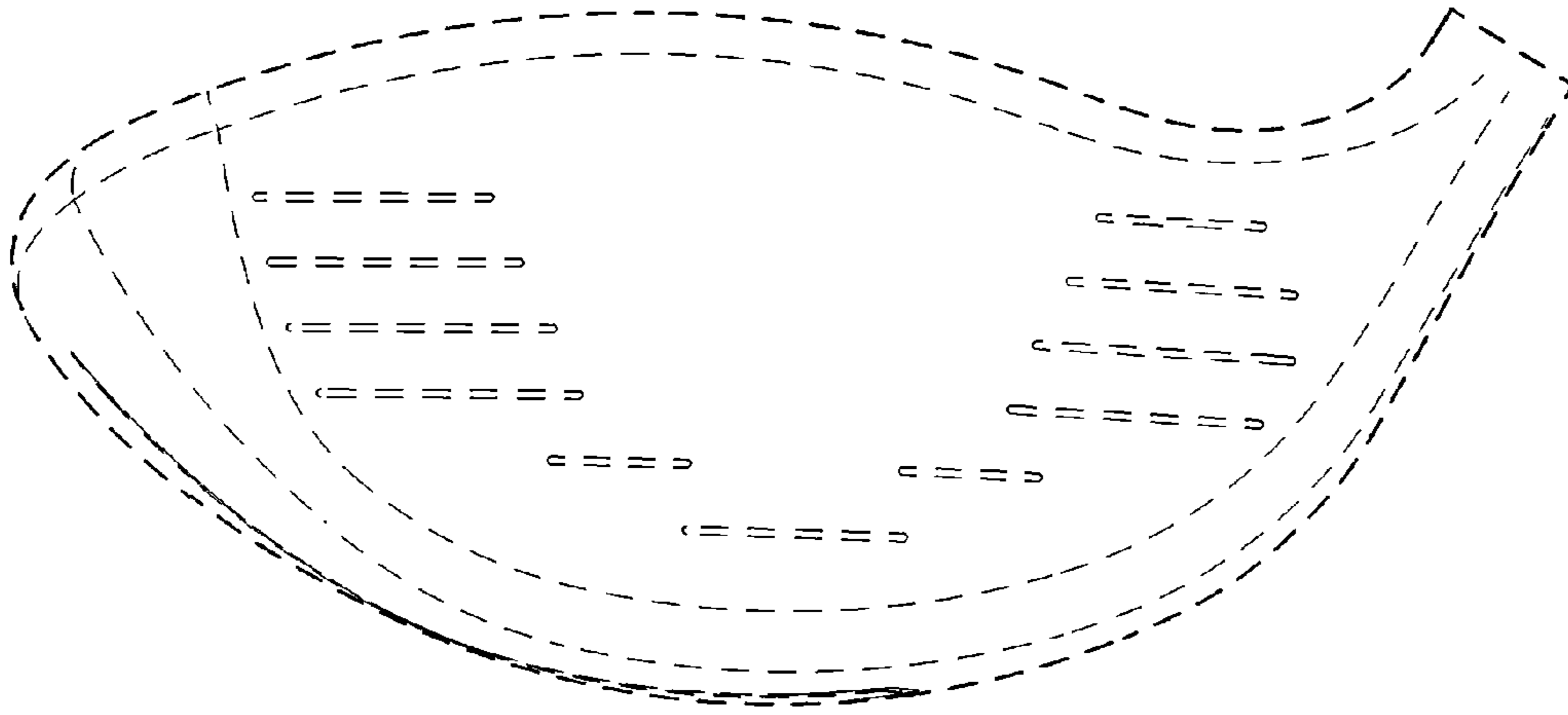


Fig. 3

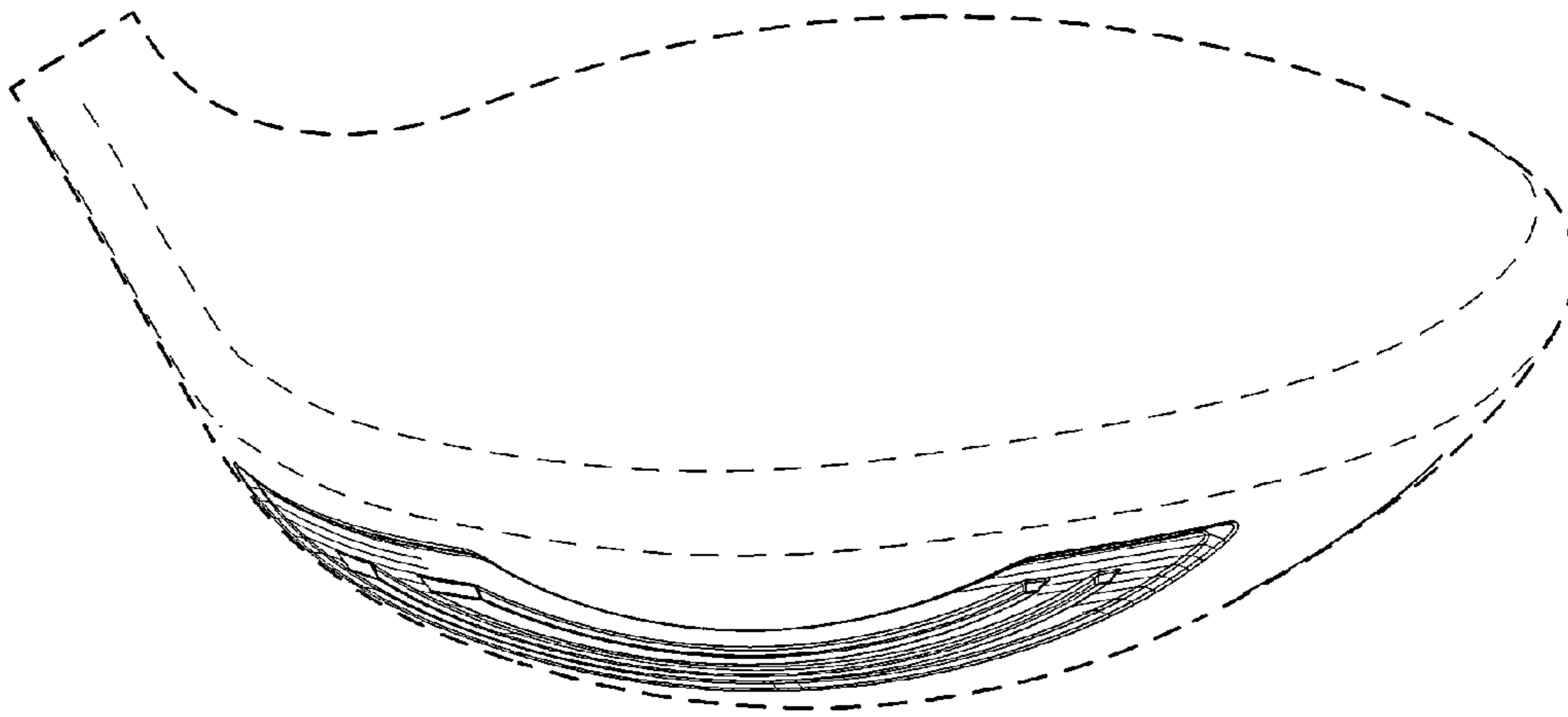


Fig. 4

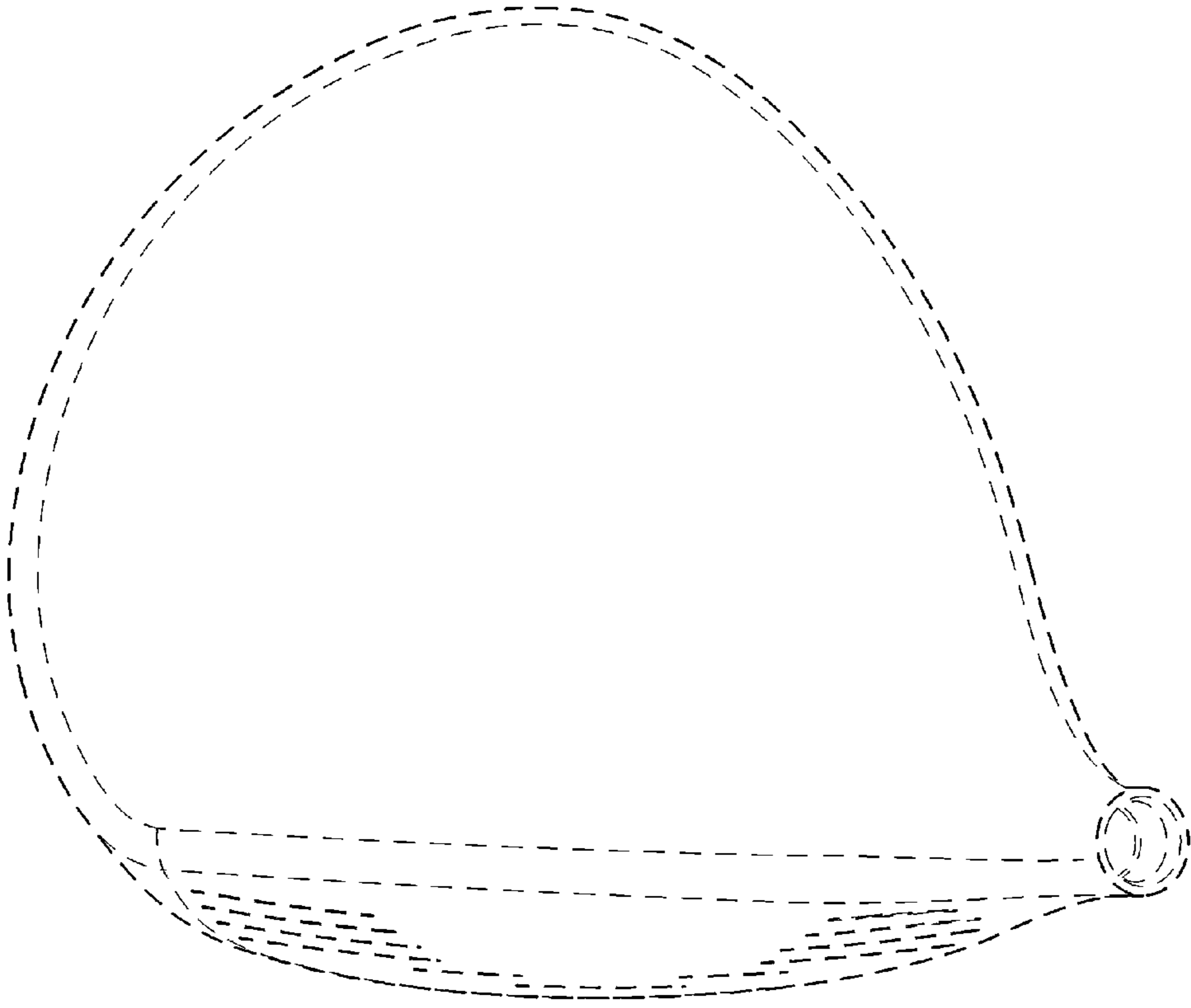


Fig. 5

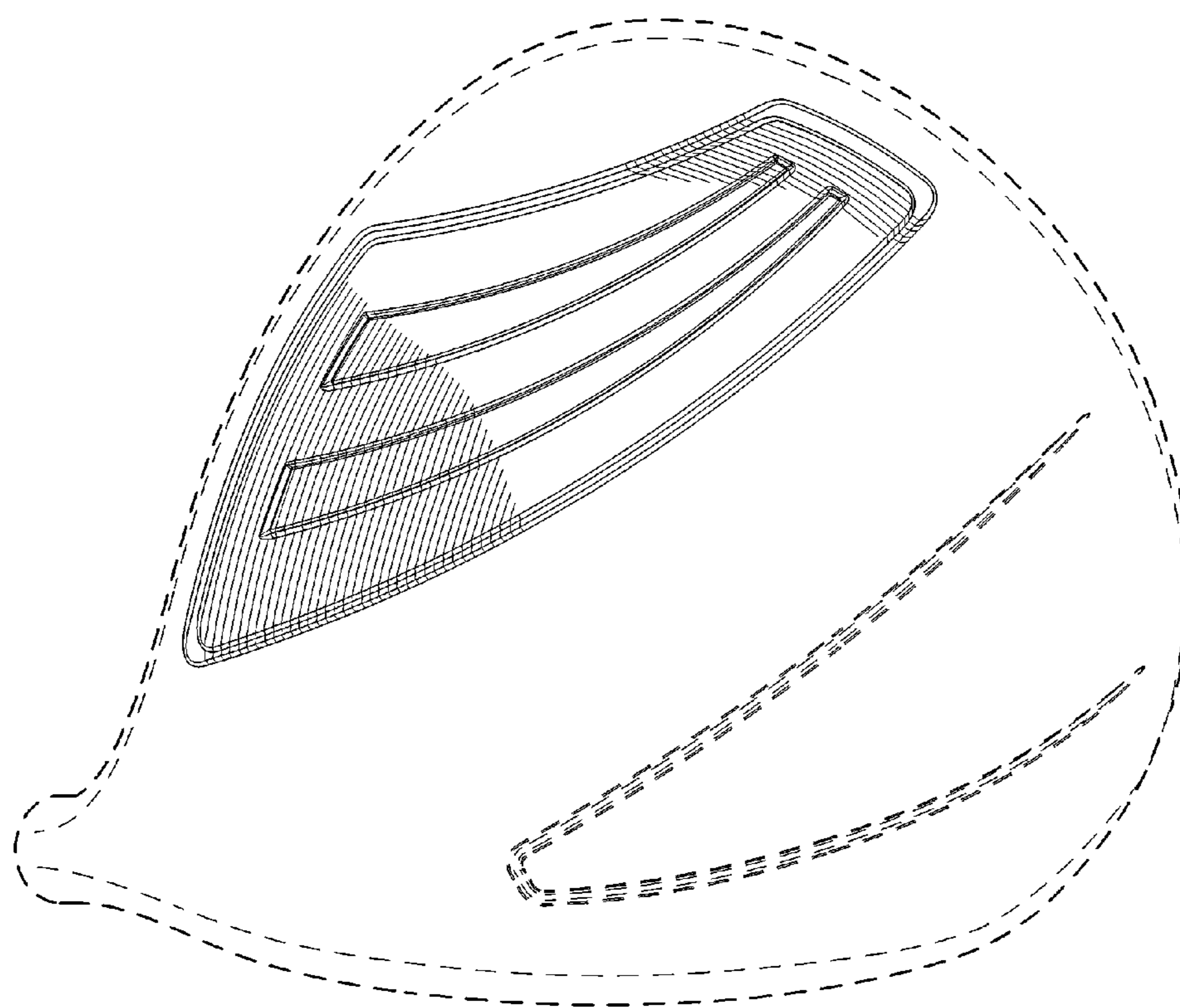


Fig. 6

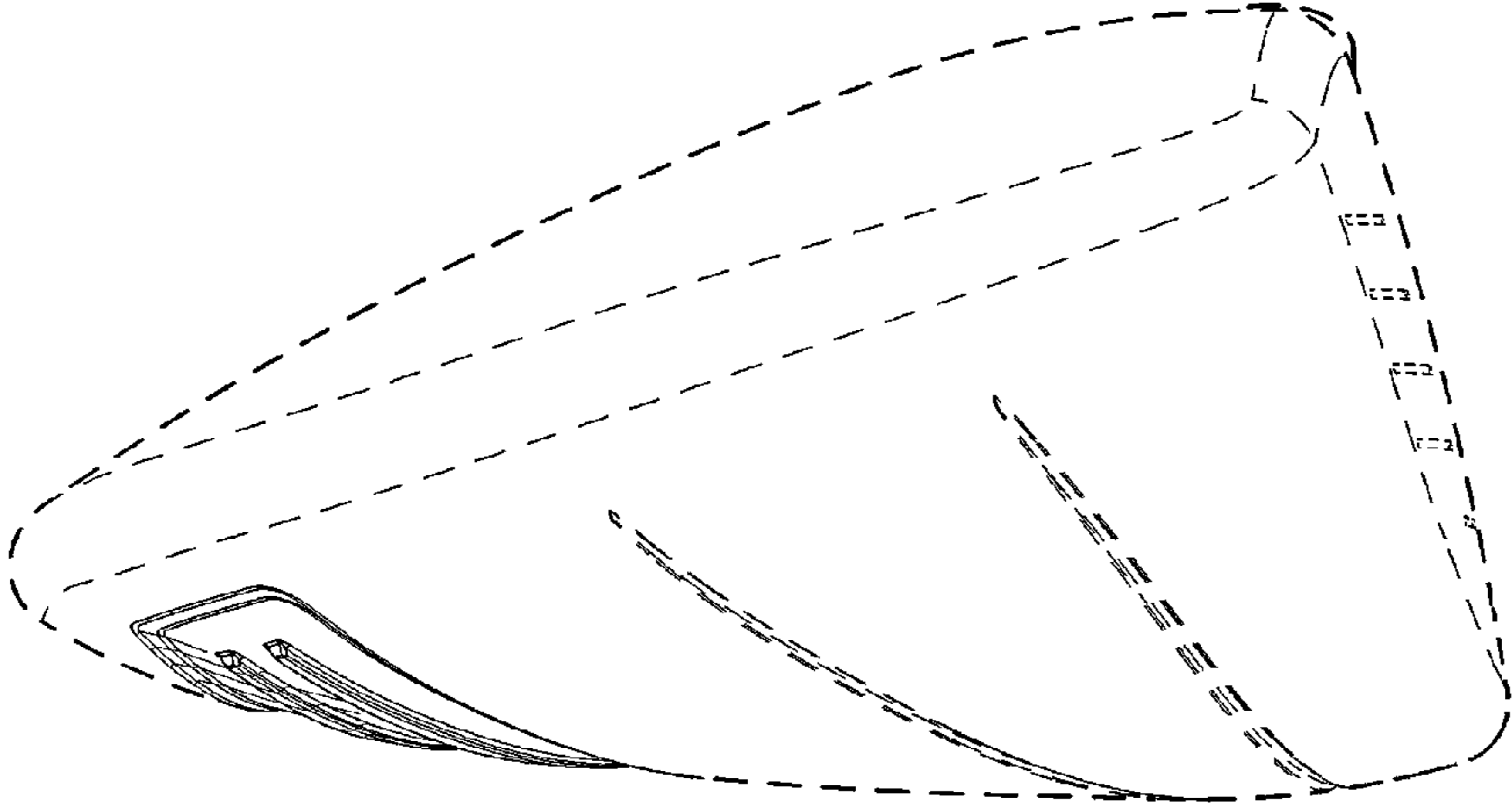


Fig. 7

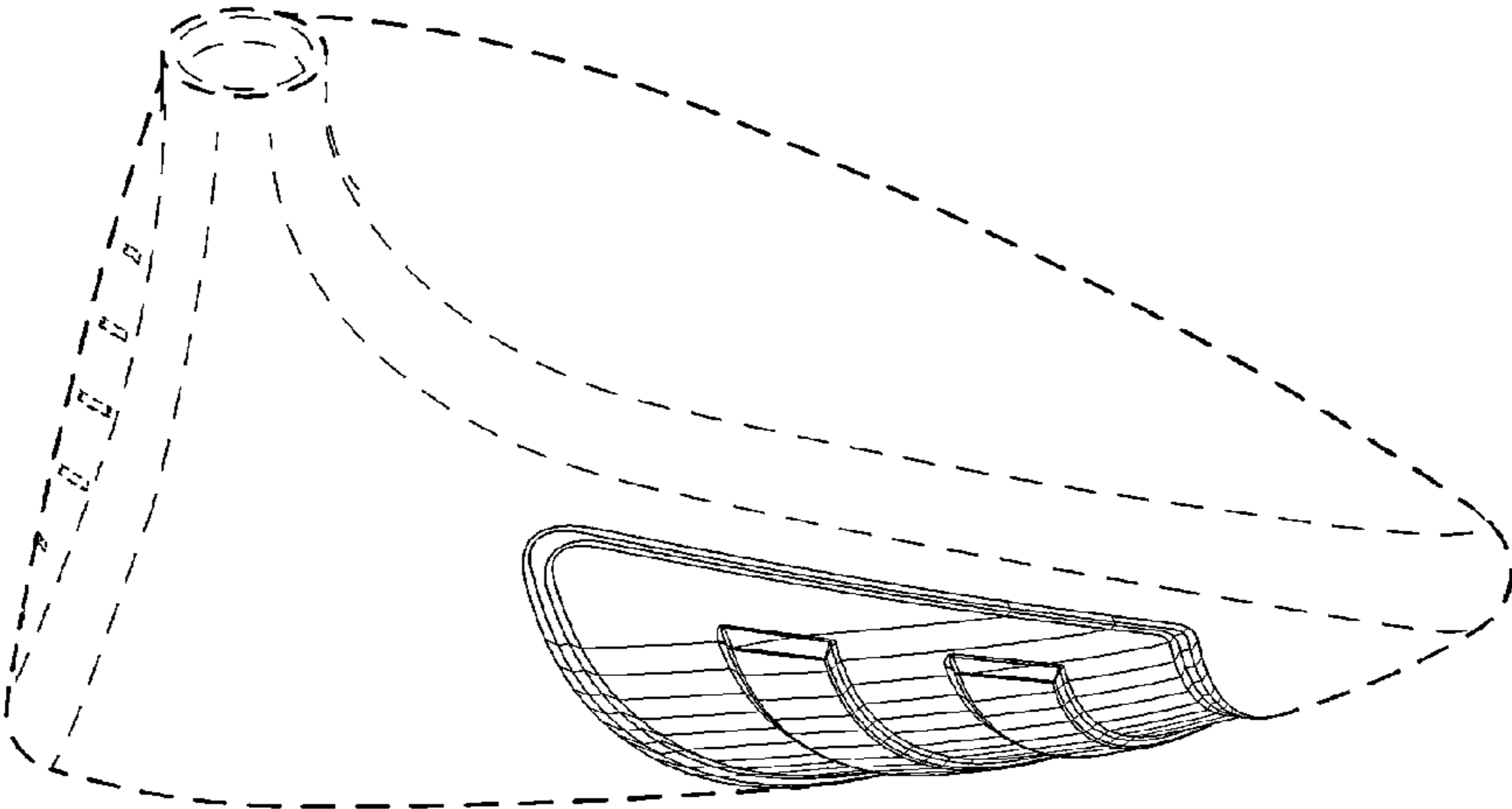


Fig. 8