



US00D720023S

(12) **United States Design Patent**
Rollinson

(10) **Patent No.:** **US D720,023 S**

(45) **Date of Patent:** **** Dec. 23, 2014**

(54) **PUTTER HEAD**

(71) Applicant: **Callaway Golf Company**, Carlsbad, CA
(US)

(72) Inventor: **Augustin W. Rollinson**, Carlsbad, CA
(US)

(73) Assignee: **Callaway Golf Company**, Carlsbad, CA
(US)

(**) Term: **14 Years**

(21) Appl. No.: **29/481,010**

(22) Filed: **Jan. 31, 2014**

(51) **LOC (10) Cl.** **21-02**

(52) **U.S. Cl.**
USPC **D21/736**

(58) **Field of Classification Search**
USPC D21/735-746, 759; 473/324-331,
473/340-341, 251-256
See application file for complete search history.

(56) **References Cited**

U.S. PATENT DOCUMENTS

D402,343 S	*	12/1998	Helmstetter et al.	D21/738
D407,445 S	*	3/1999	Rollinson et al.	D21/743
D444,833 S	*	7/2001	Wells et al.	D21/743
D514,181 S	*	1/2006	Cameron	D21/738
D604,782 S	*	11/2009	Franklin	D21/736
D688,339 S	*	8/2013	Hilton et al.	D21/736
D688,341 S	*	8/2013	Rollinson	D21/746
D688,761 S	*	8/2013	Hilton et al.	D21/736
D688,762 S	*	8/2013	Hilton et al.	D21/736

D689,574 S	*	9/2013	Rollinson	D21/743
D690,378 S	*	9/2013	Rollinson	D21/743
D691,225 S	*	10/2013	Hilton et al.	D21/736
D691,226 S	*	10/2013	Hilton et al.	D21/746
D691,681 S	*	10/2013	Hilton et al.	D21/736

* cited by examiner

Primary Examiner — Mitchell Siegel

(74) *Attorney, Agent, or Firm* — Rebecca Hanovice;
Michael A. Catania; Sonia Lari

(57) **CLAIM**

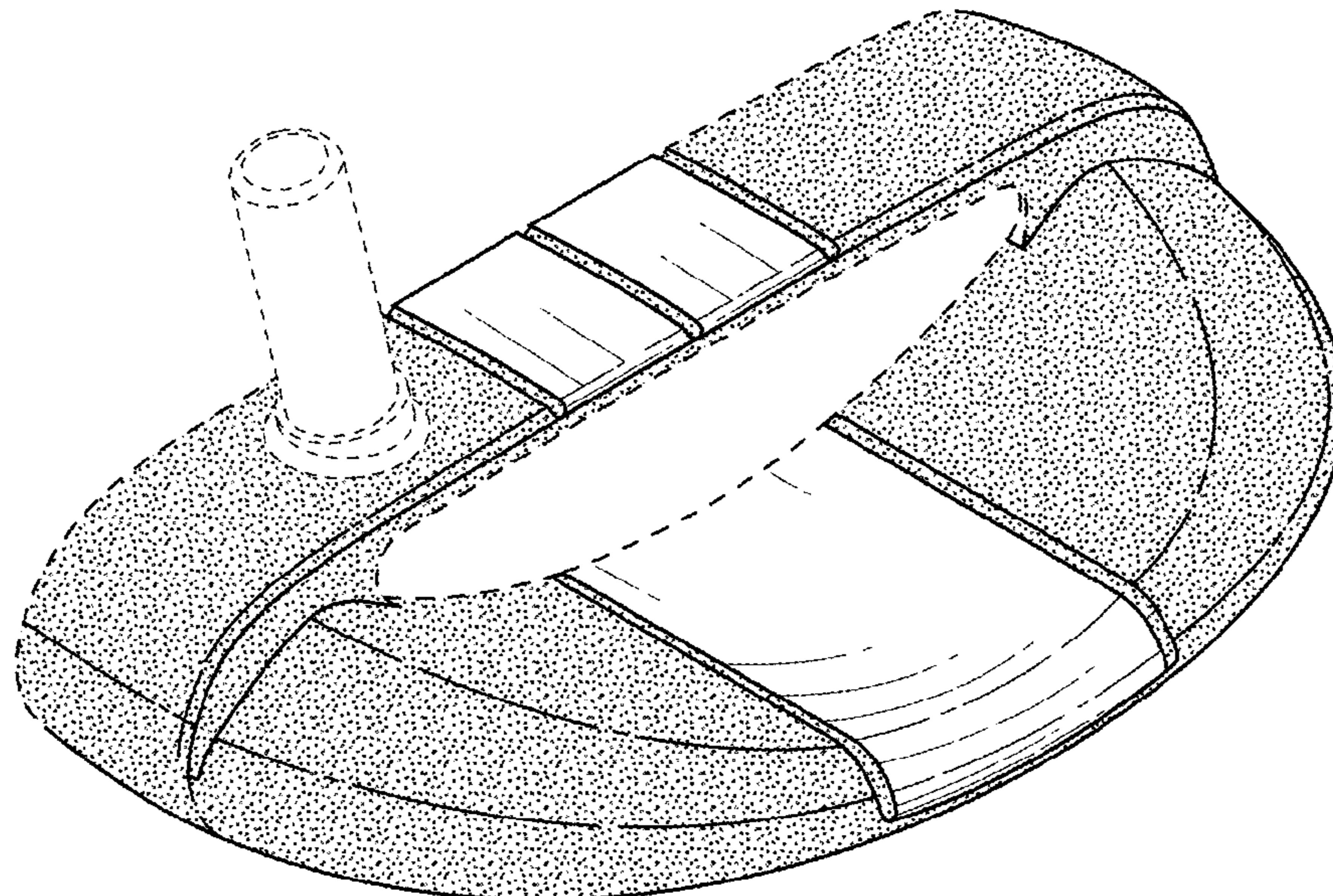
The ornamental design for a putter head, as shown and described.

DESCRIPTION

FIG. 1 is a rear perspective view of a first embodiment of the putter head as claimed herein;
 FIG. 2 is a rear view thereof;
 FIG. 3 is a front view thereof;
 FIG. 4 is a right side view thereof;
 FIG. 5 is a left side view thereof;
 FIG. 6 is a top plan view thereof;
 FIG. 7 is a bottom plan view thereof;
 FIG. 8 is a rear perspective view of a second embodiment of the putter head as claimed herein;
 FIG. 9 is a rear view thereof;
 FIG. 10 is a front view thereof;
 FIG. 11 is a right side view thereof;
 FIG. 12 is a left side view thereof;
 FIG. 13 is a top plan view thereof; and,
 FIG. 14 is a bottom plan view thereof.

The broken line showing is included for the purpose of illustrating and forms no part of the claimed design.

1 Claim, 8 Drawing Sheets



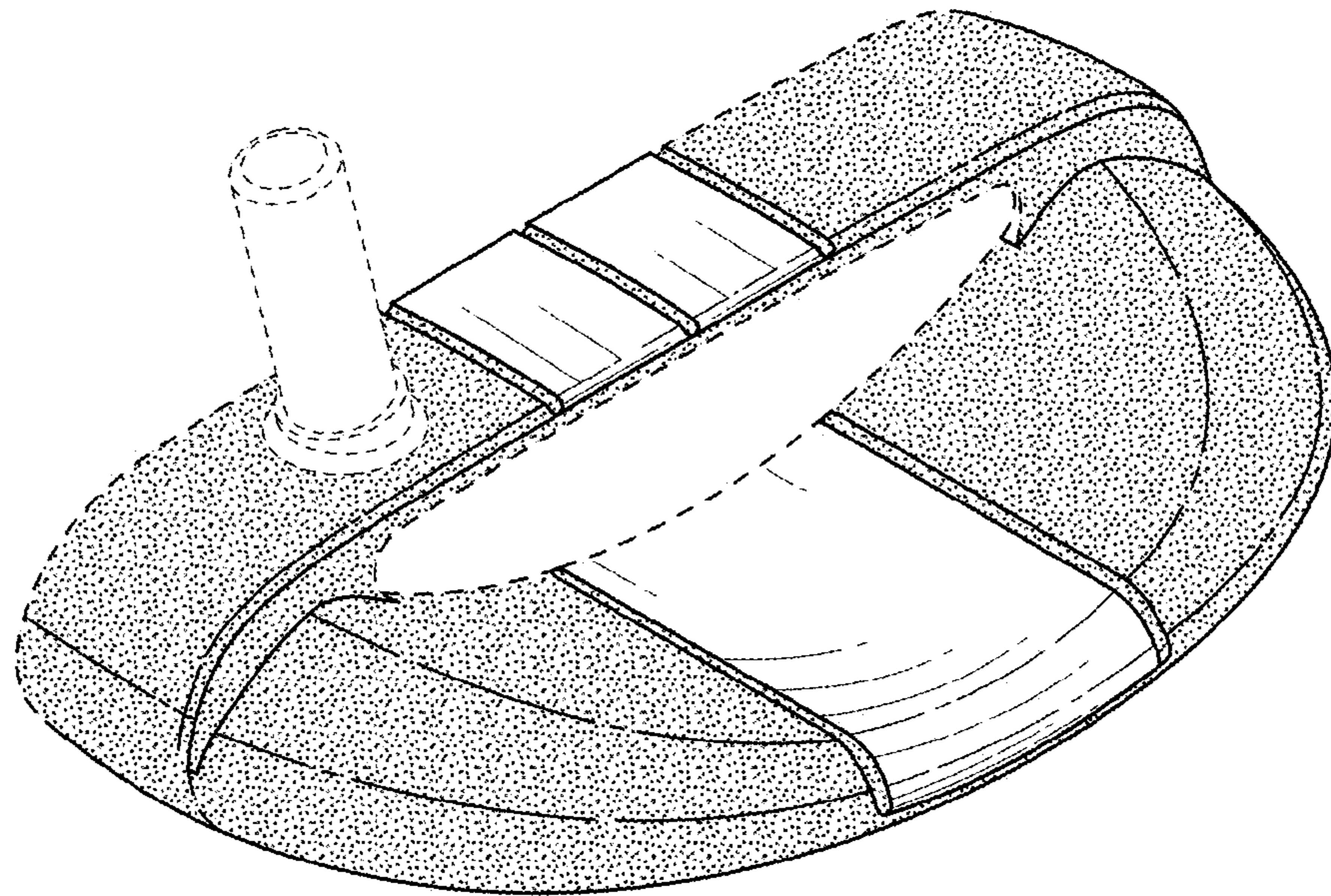


FIG. 1

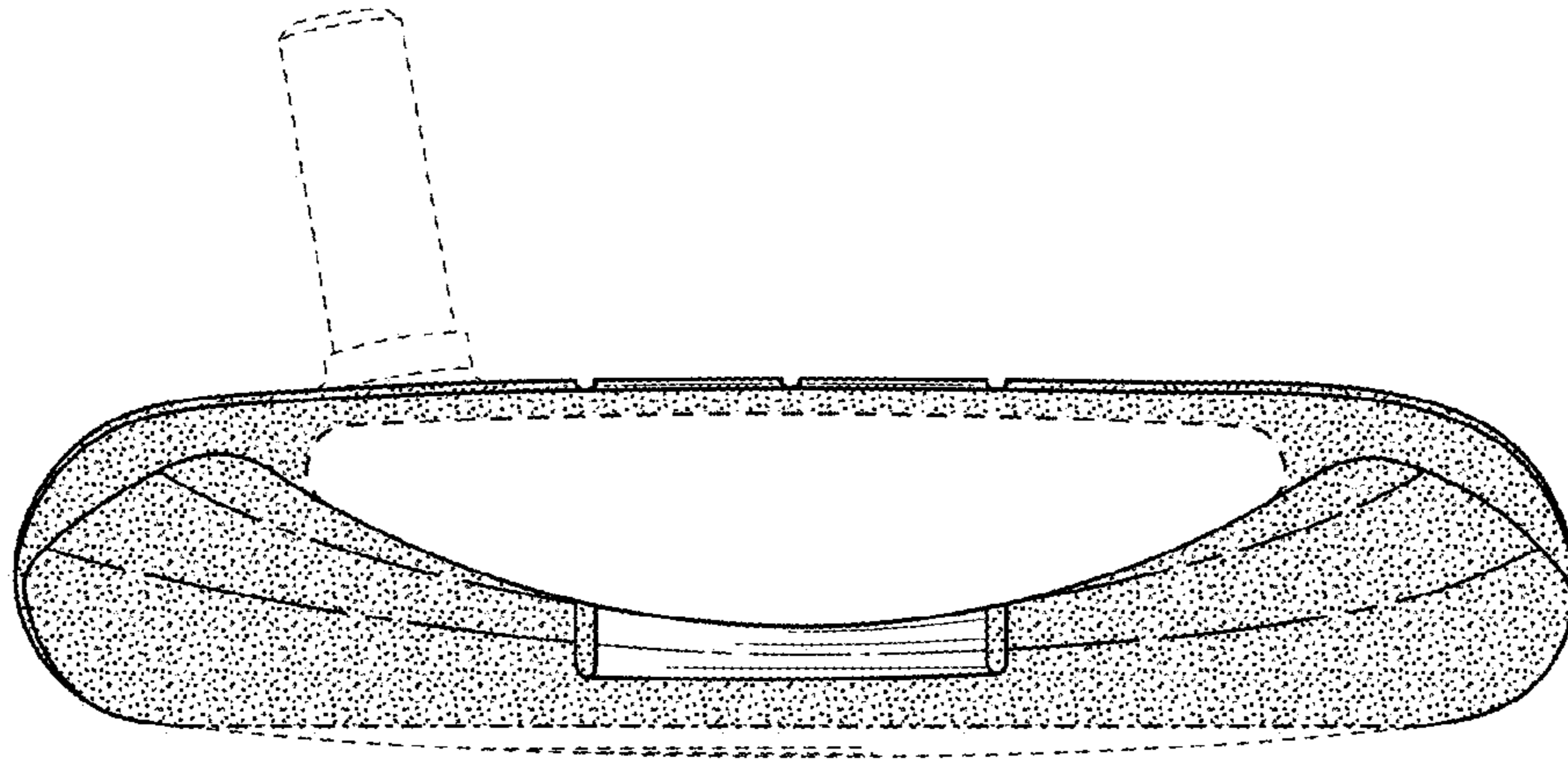


FIG. 2

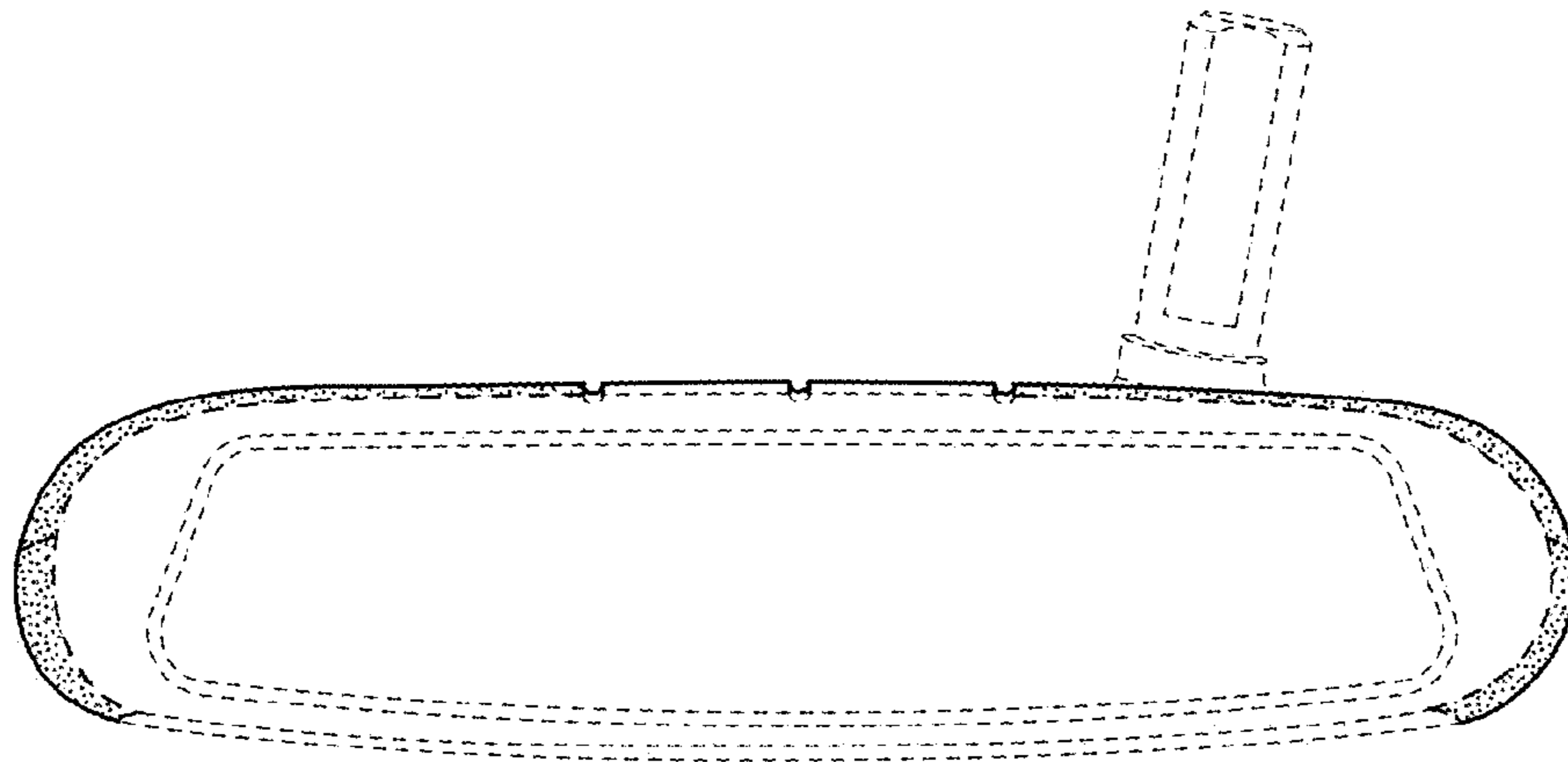


FIG. 3

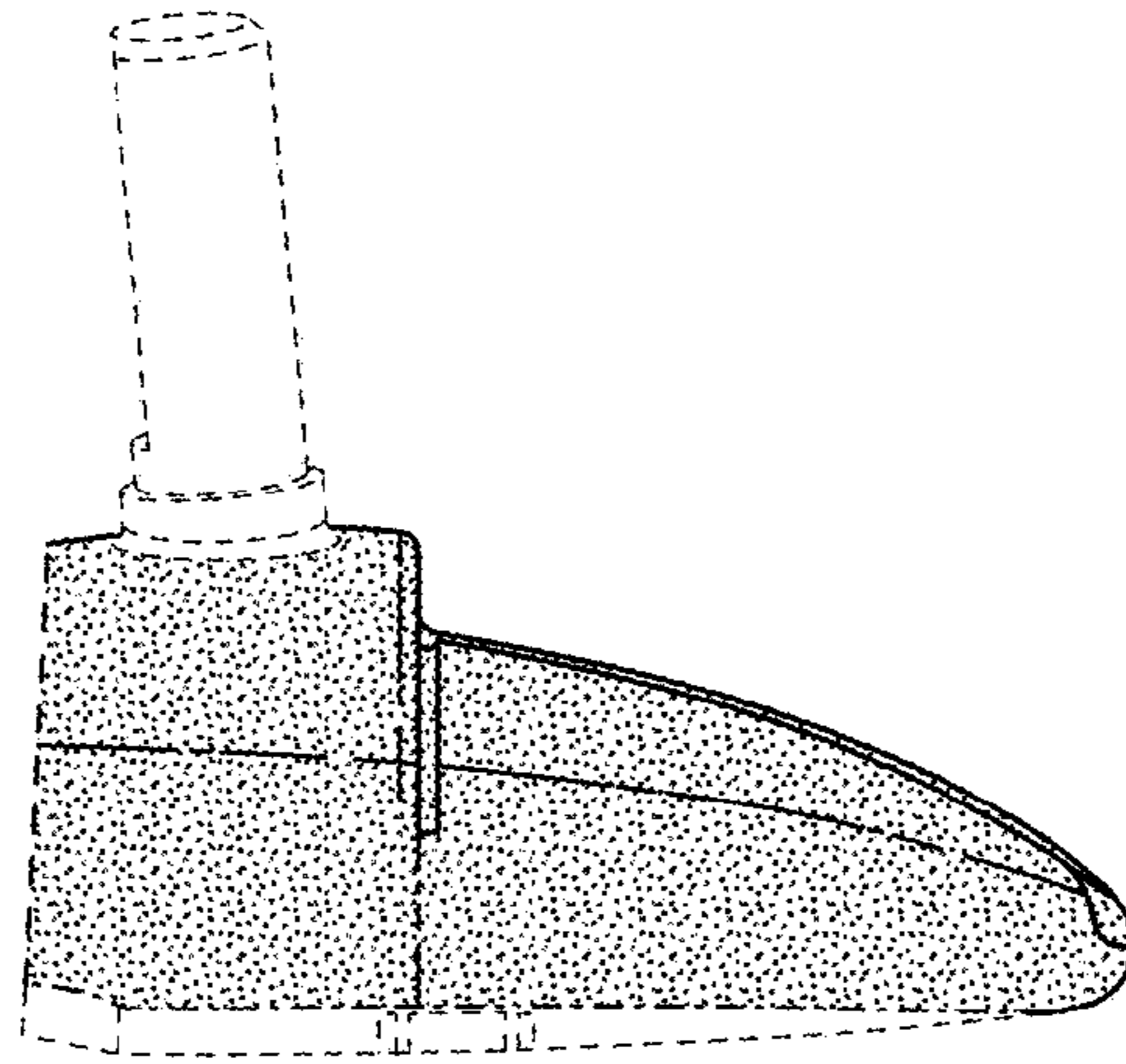


FIG. 4

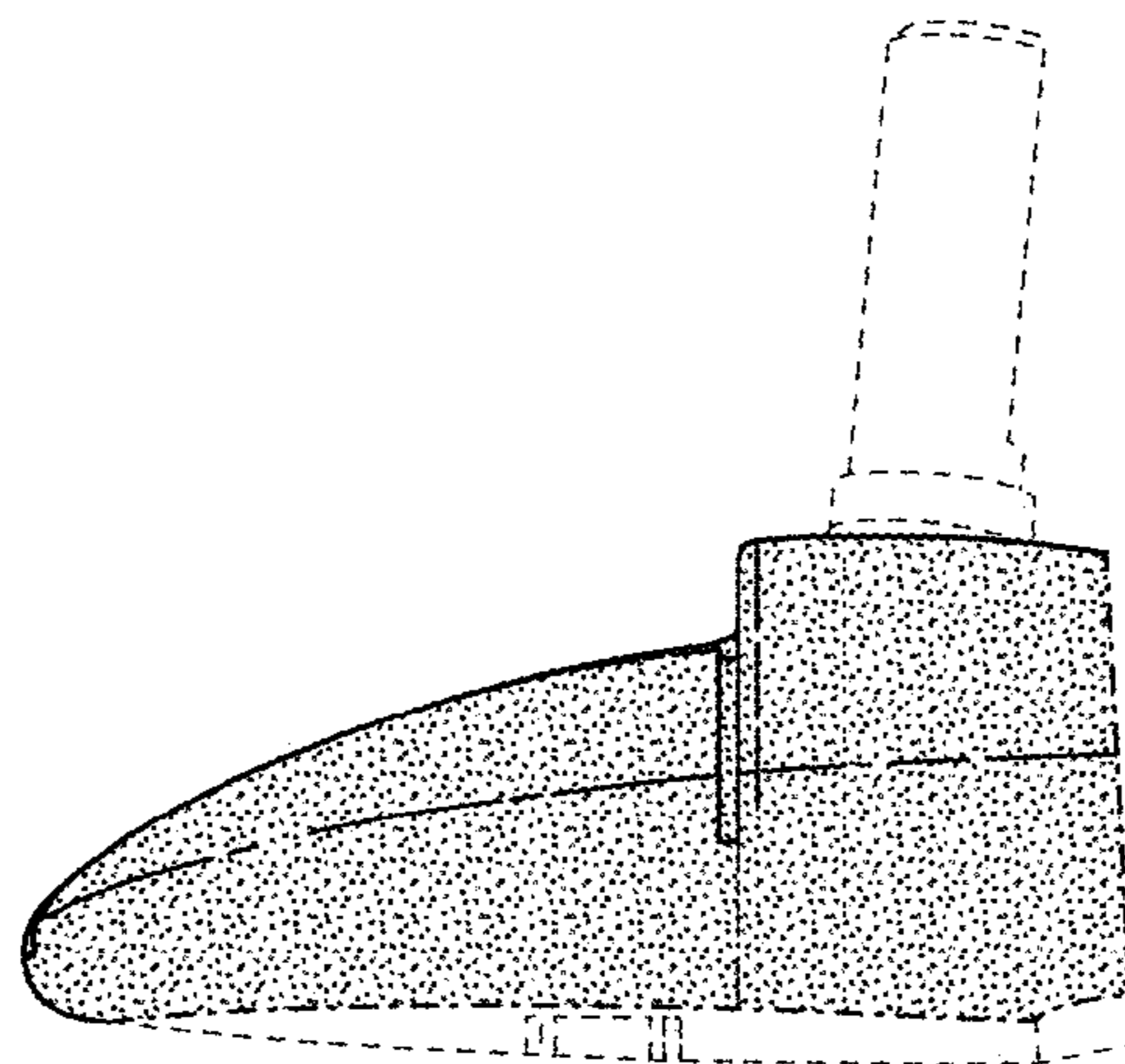


FIG. 5

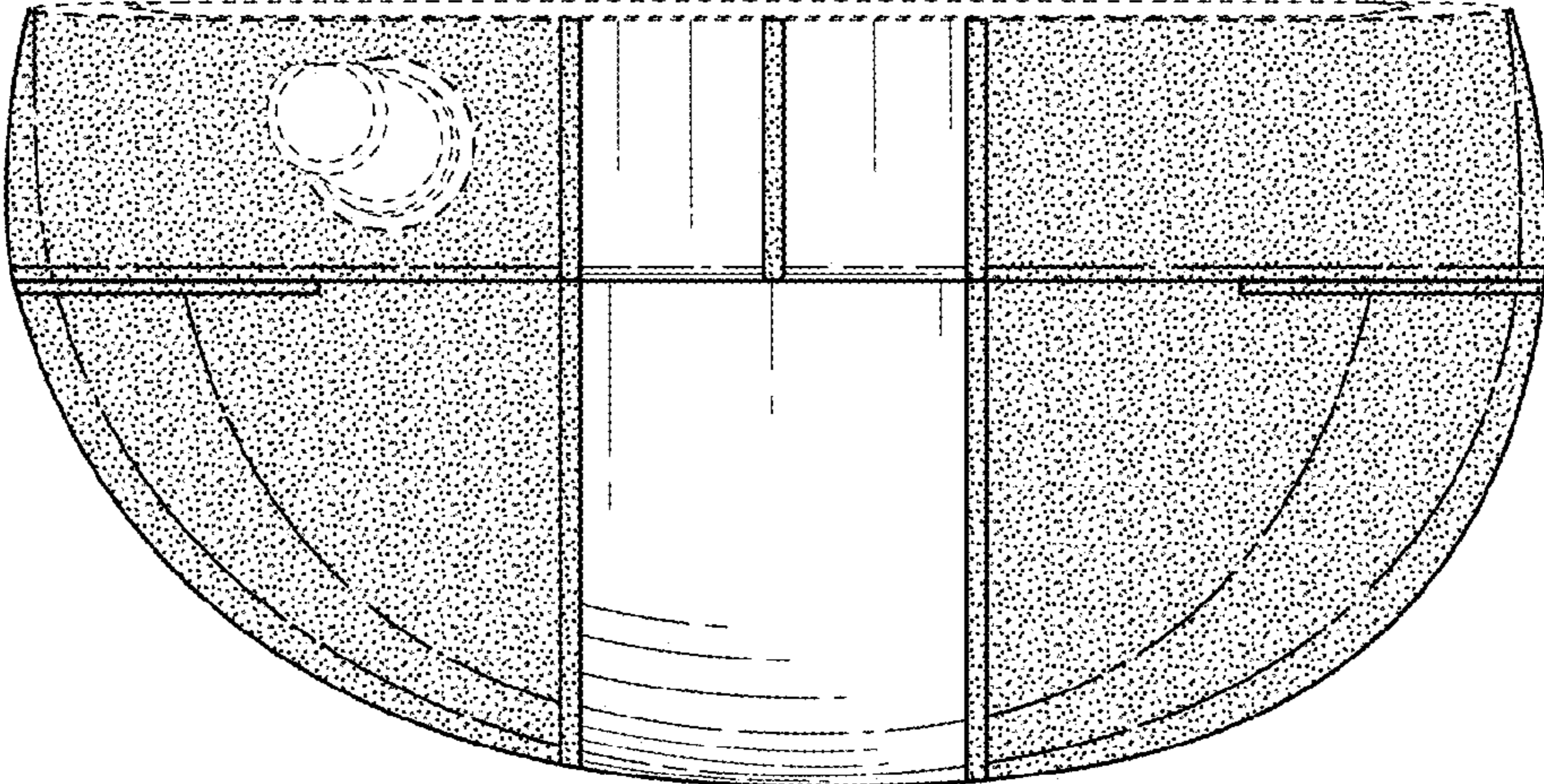


FIG. 6

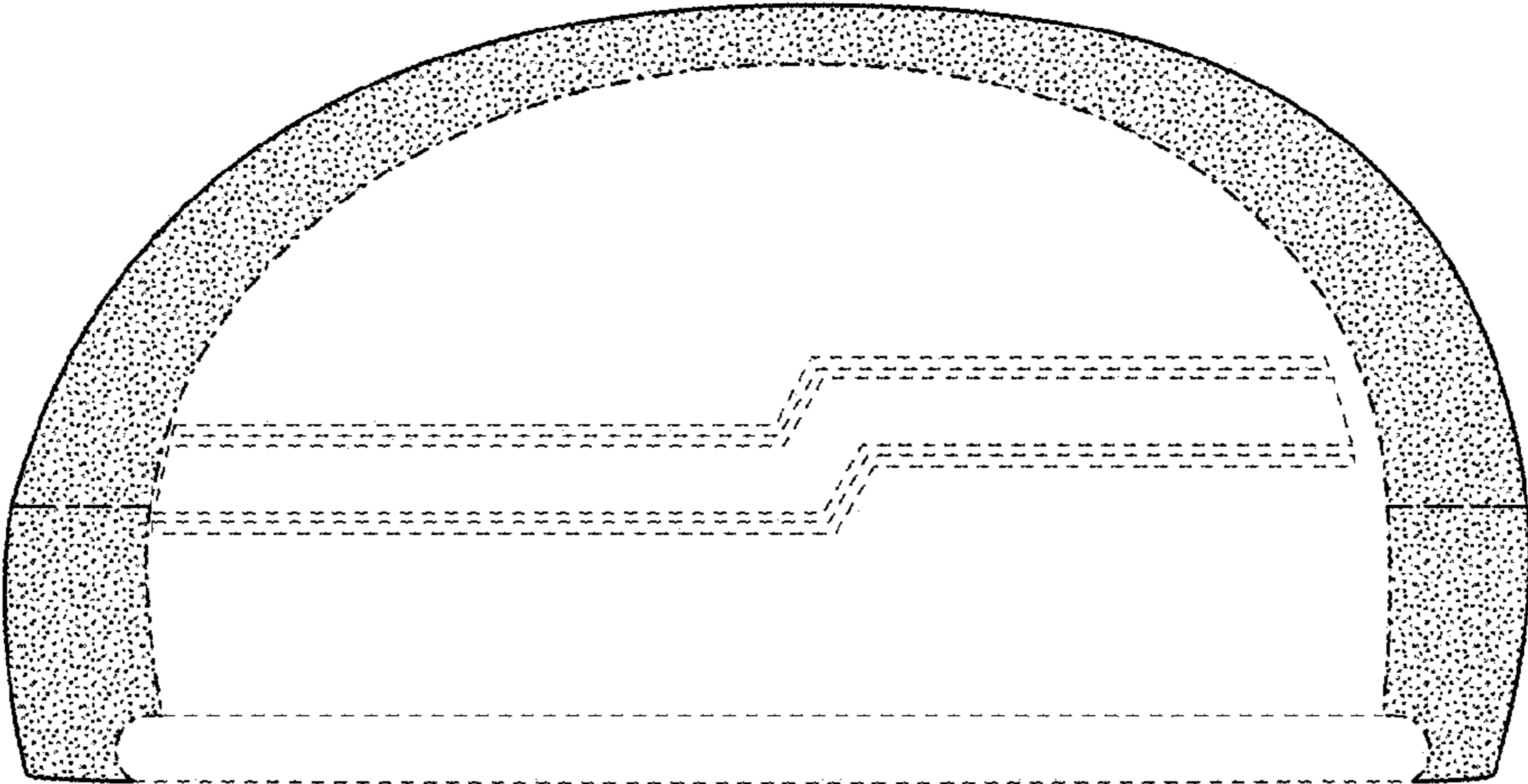


FIG. 7

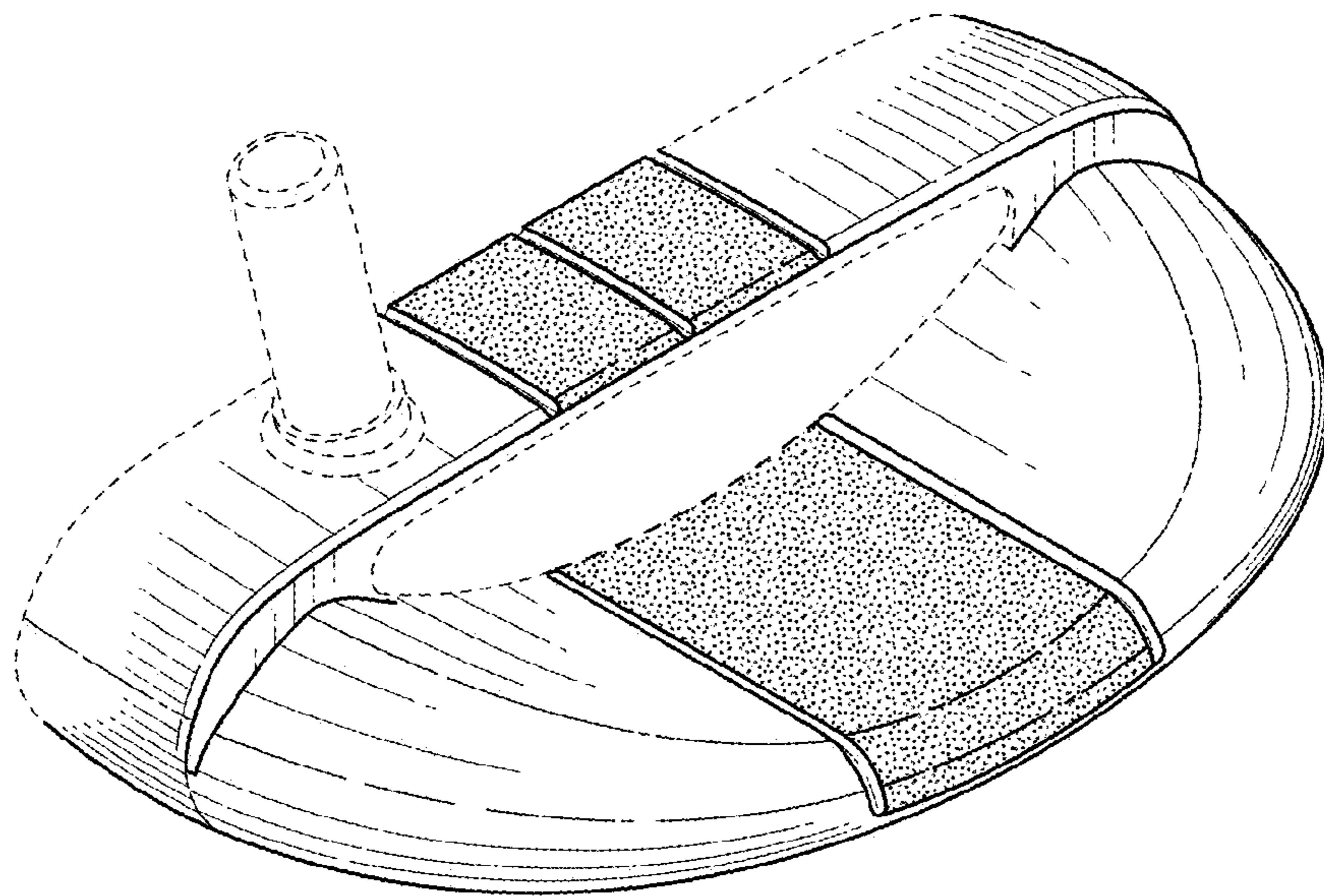


FIG. 8

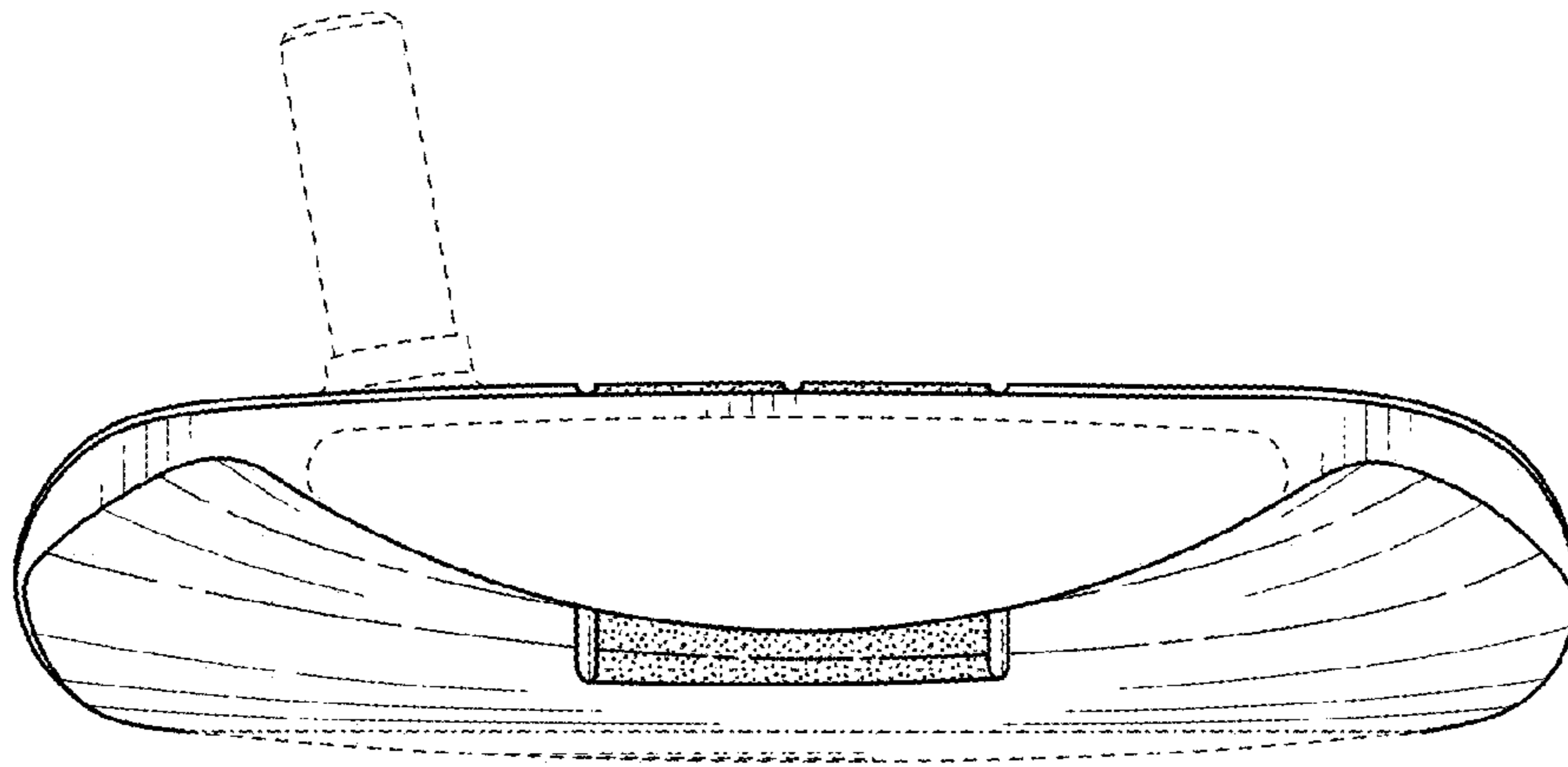


FIG. 9

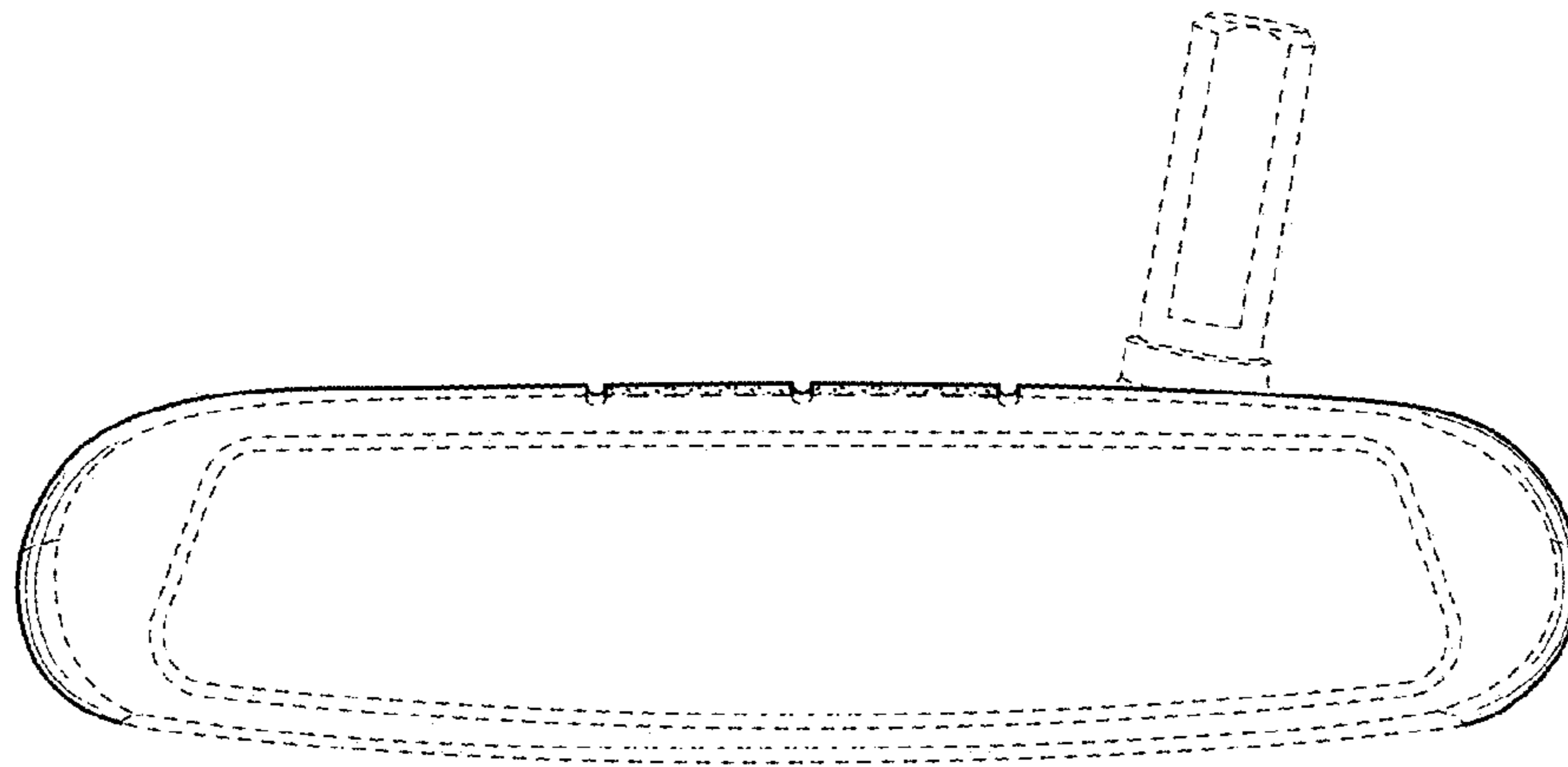


FIG. 10

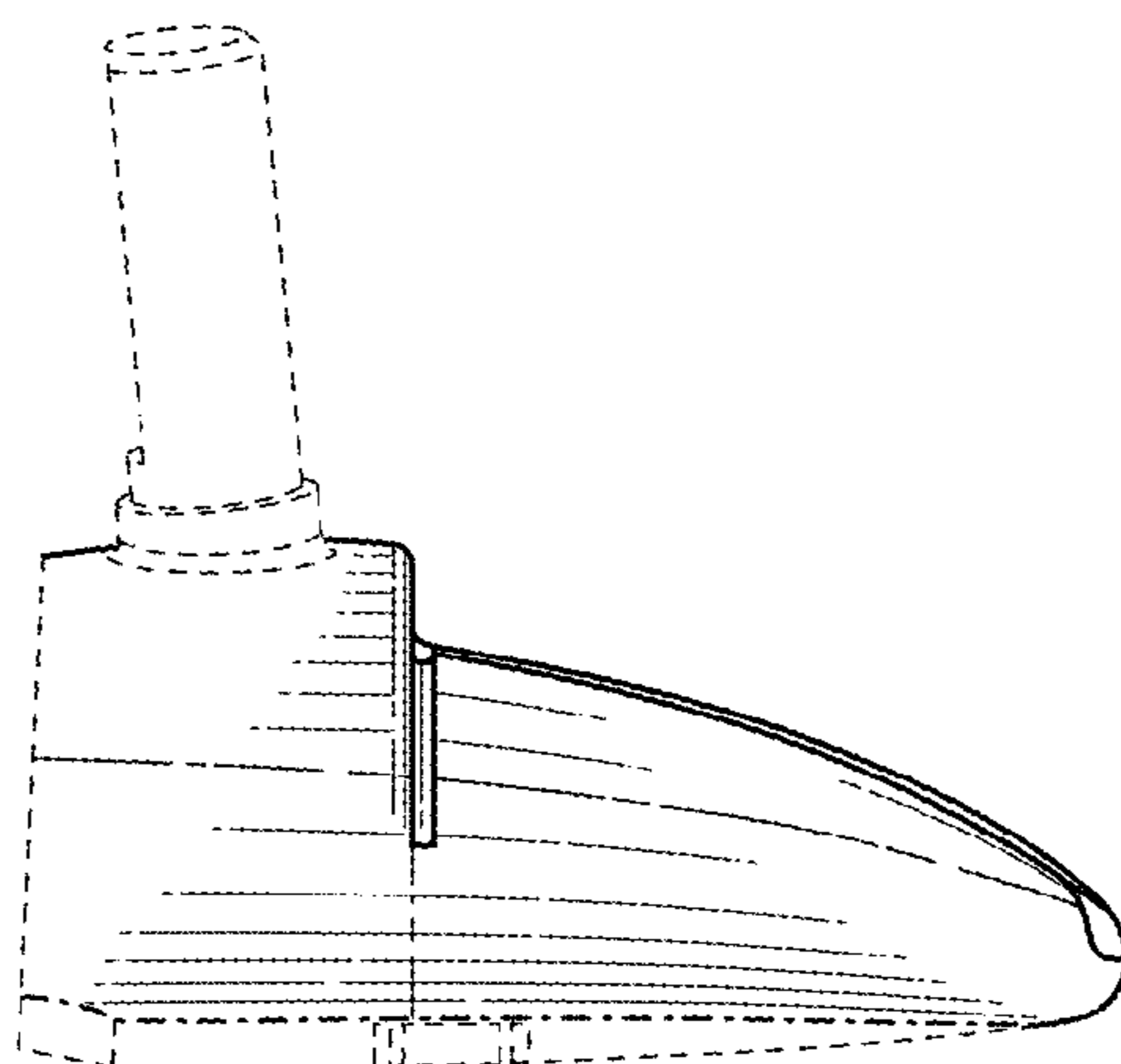


FIG. 11

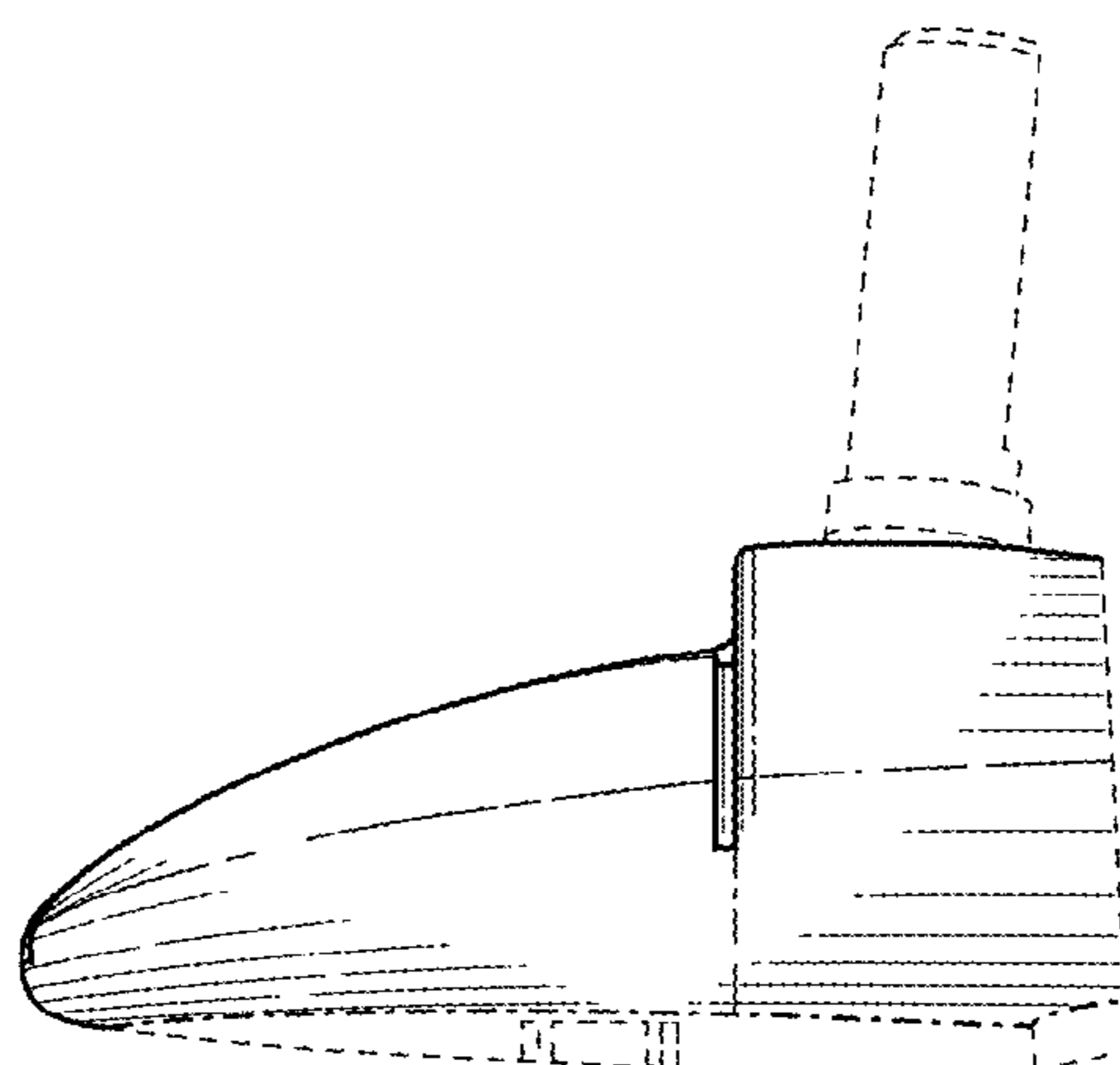


FIG. 12

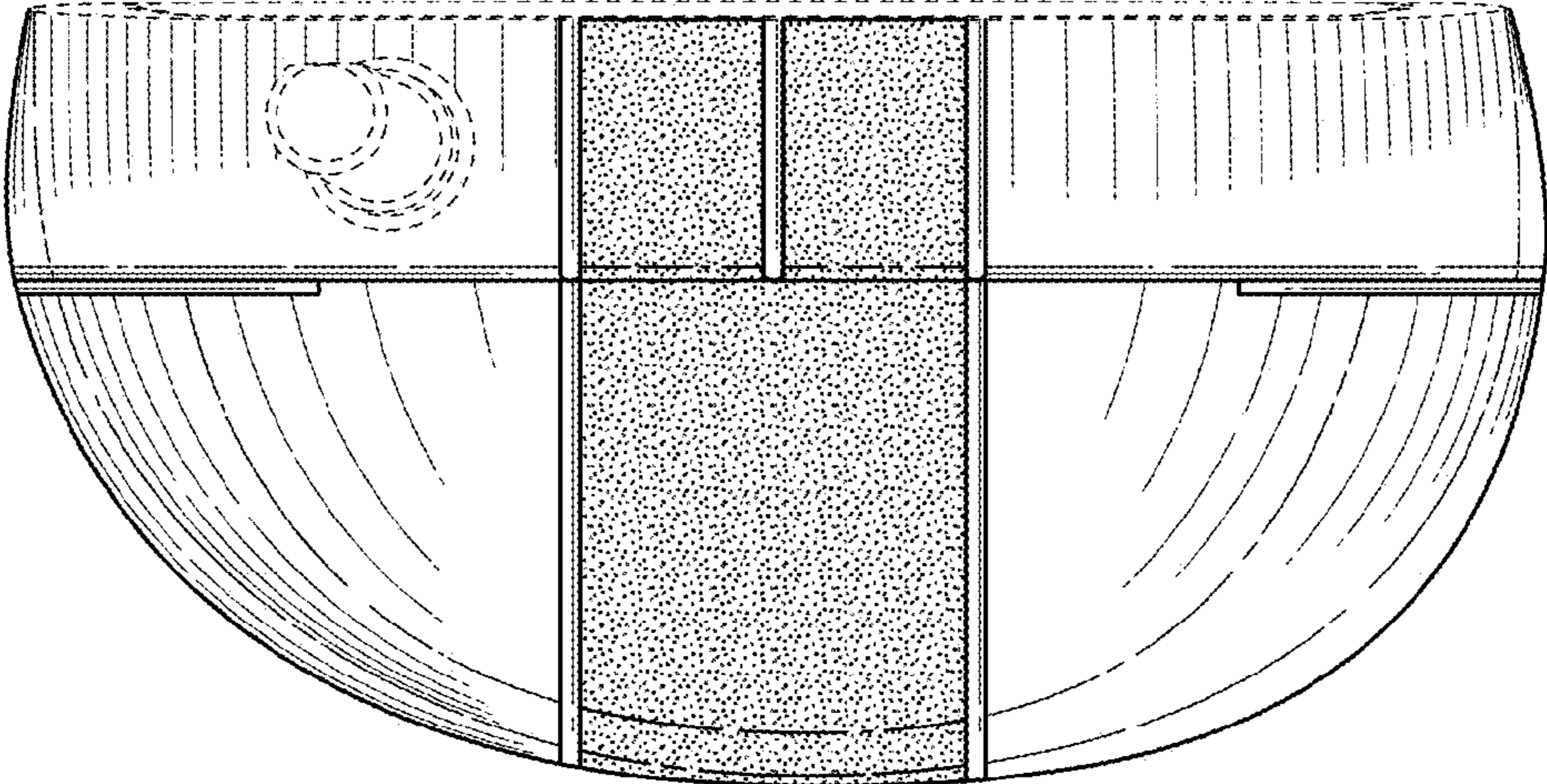


FIG. 13

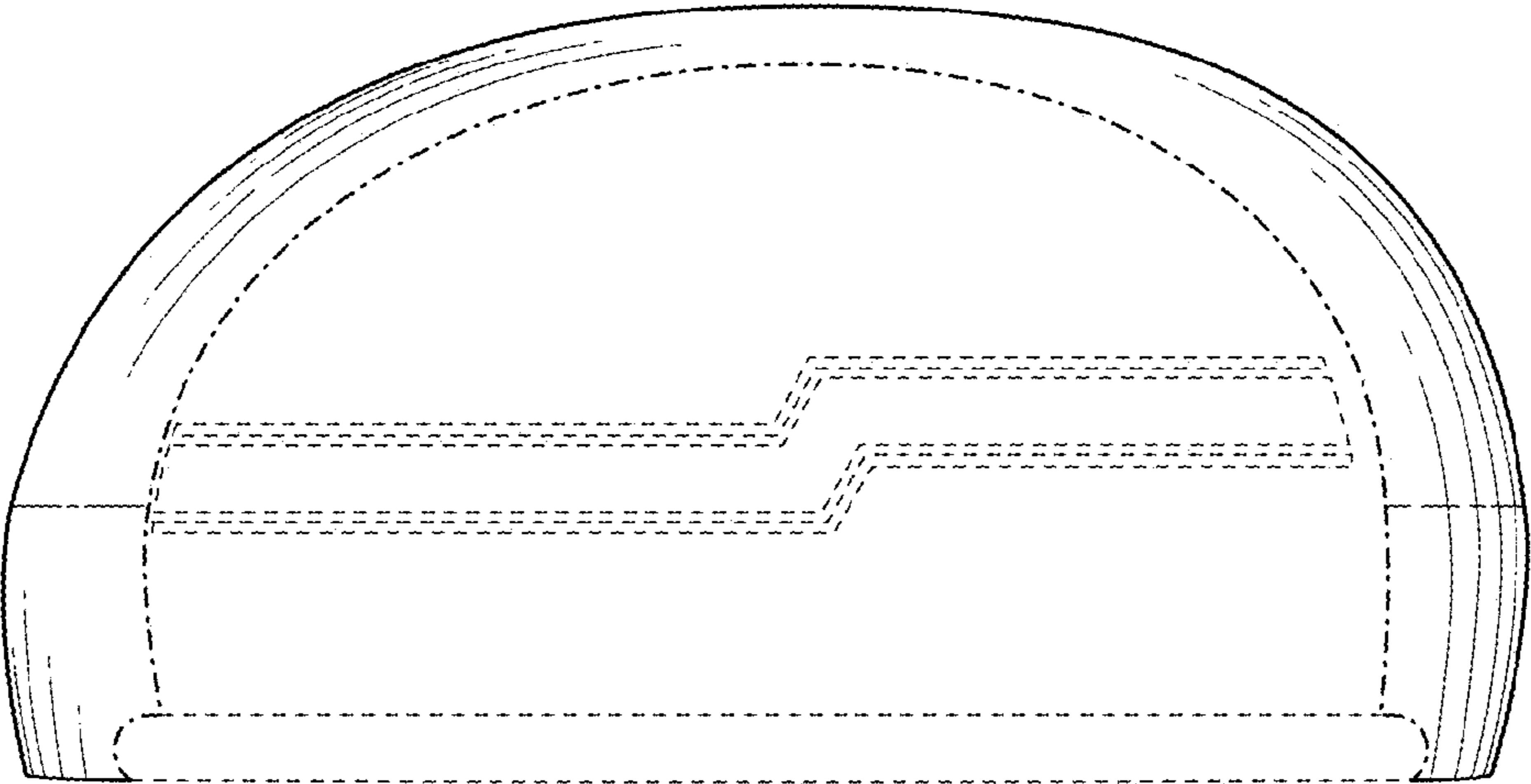


FIG. 14