



US00D720019S

(12) **United States Design Patent**  
**McCrorry**

(10) **Patent No.:** **US D720,019 S**

(45) **Date of Patent:** **\*\* Dec. 23, 2014**

(54) **CARD TABLE**

(71) Applicant: **Glenn McCrorry**, Warwick, RI (US)

(72) Inventor: **Glenn McCrorry**, Warwick, RI (US)

(\*\*) Term: **14 Years**

(21) Appl. No.: **29/461,493**

(22) Filed: **Jul. 24, 2013**

(51) **LOC (10) Cl.** ..... **21-01**

(52) **U.S. Cl.**  
USPC ..... **D21/397**

(58) **Field of Classification Search**  
USPC ..... D21/307-308, 334-368, 376-397;  
273/236-287, 288-291  
See application file for complete search history.

(56) **References Cited**

U.S. PATENT DOCUMENTS

5,497,998	A *	3/1996	Horton	273/285
5,642,885	A *	7/1997	Gustin	273/261
6,702,287	B1 *	3/2004	Pendexter	273/261
2014/0062022	A1 *	3/2014	Spangler	273/260
2014/0073389	A1 *	3/2014	Barker et al.	463/14

\* cited by examiner

*Primary Examiner* — George D Kirschbaum

(74) *Attorney, Agent, or Firm* — Salter & Michaelson

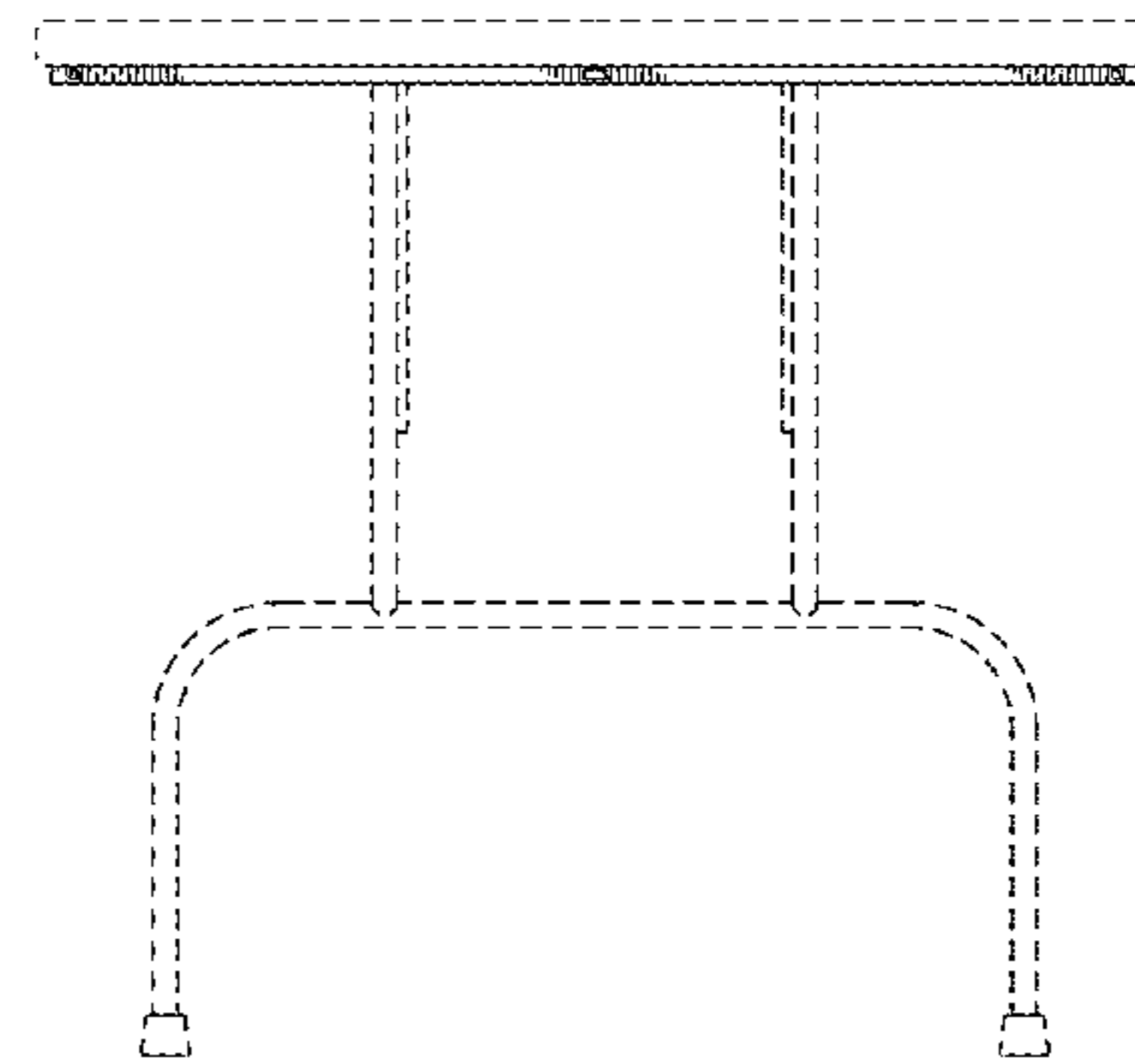
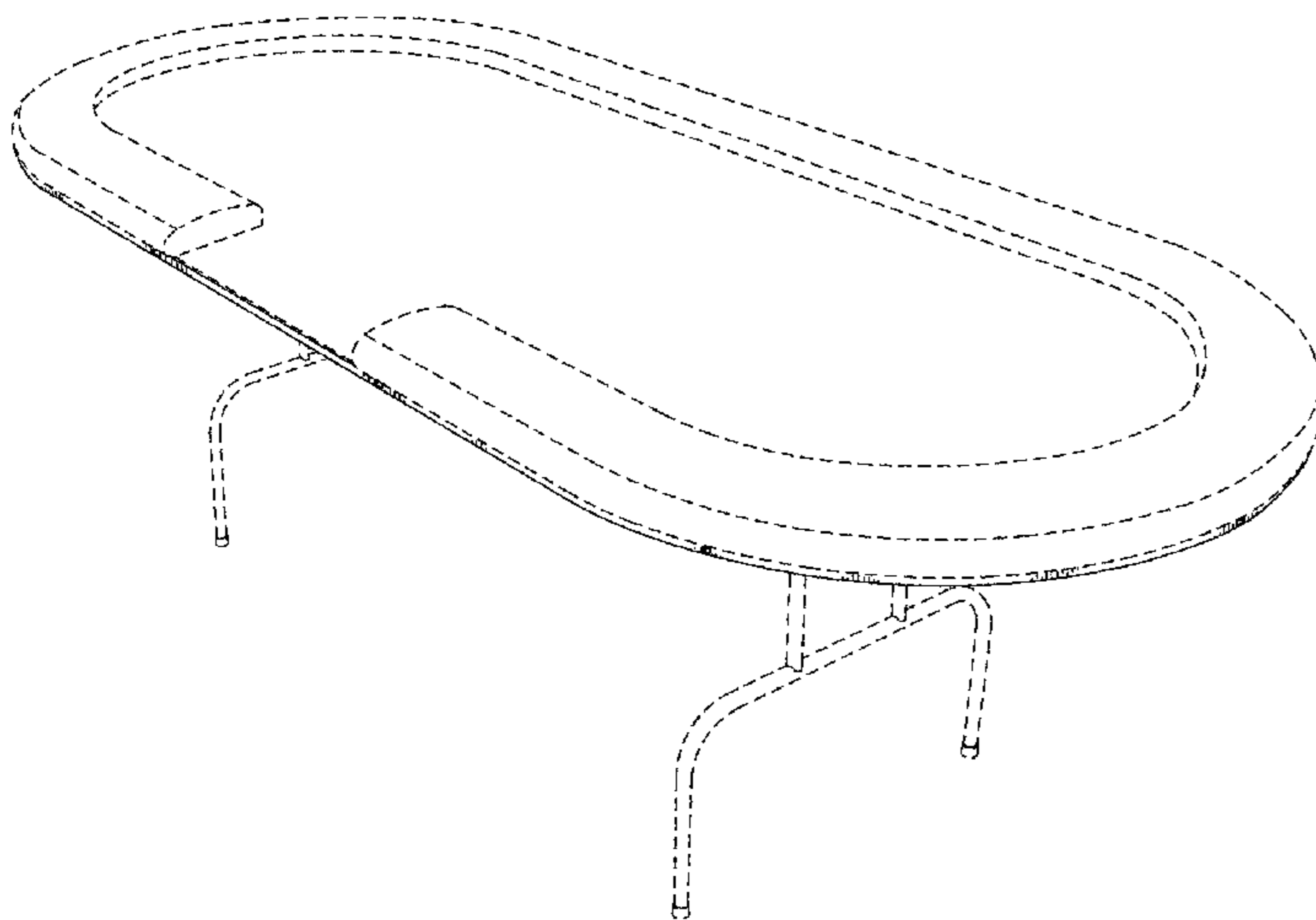
(57) **CLAIM**

The ornamental design for a card table, as shown and described.

**DESCRIPTION**

FIG. 1 is a perspective view of a card table;  
FIG. 2 is a top plan view thereof;  
FIG. 3 is a bottom plan view thereof;  
FIG. 4 is a left side elevational view thereof;  
FIG. 5 is a right side elevational view thereof;  
FIG. 6 is a front elevational view thereof; and,  
FIG. 7 is a rear elevational view thereof.  
The peripheral strip depicts spaced apart electrical connector ports.  
The broken line showing of an arm rest and table legs is included for the purpose of illustrating portions of the “article” and forms not part of the claimed design. The dash-dot-dash line represents the boundary of the claimed design.

**1 Claim, 6 Drawing Sheets**



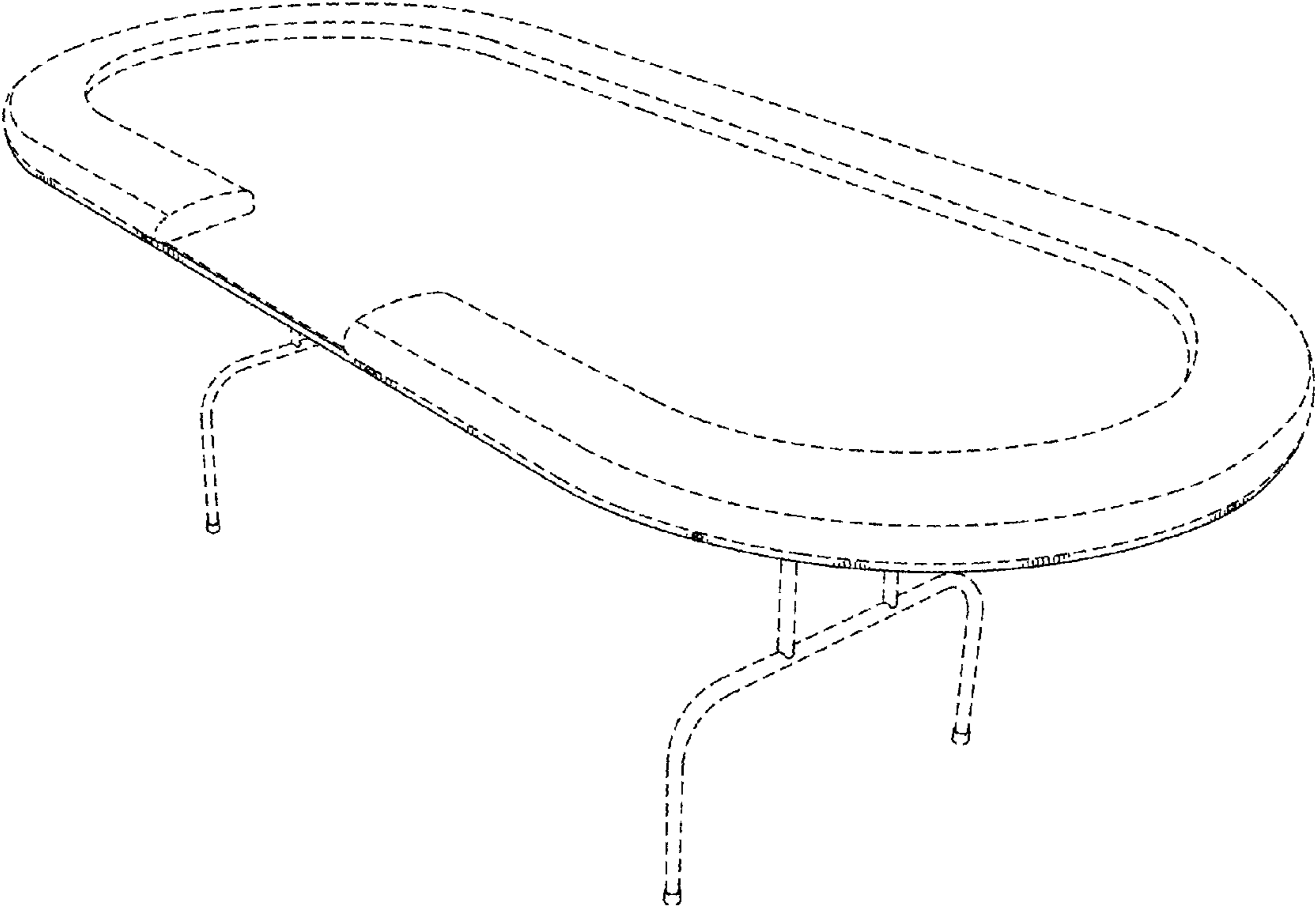


FIG. 1

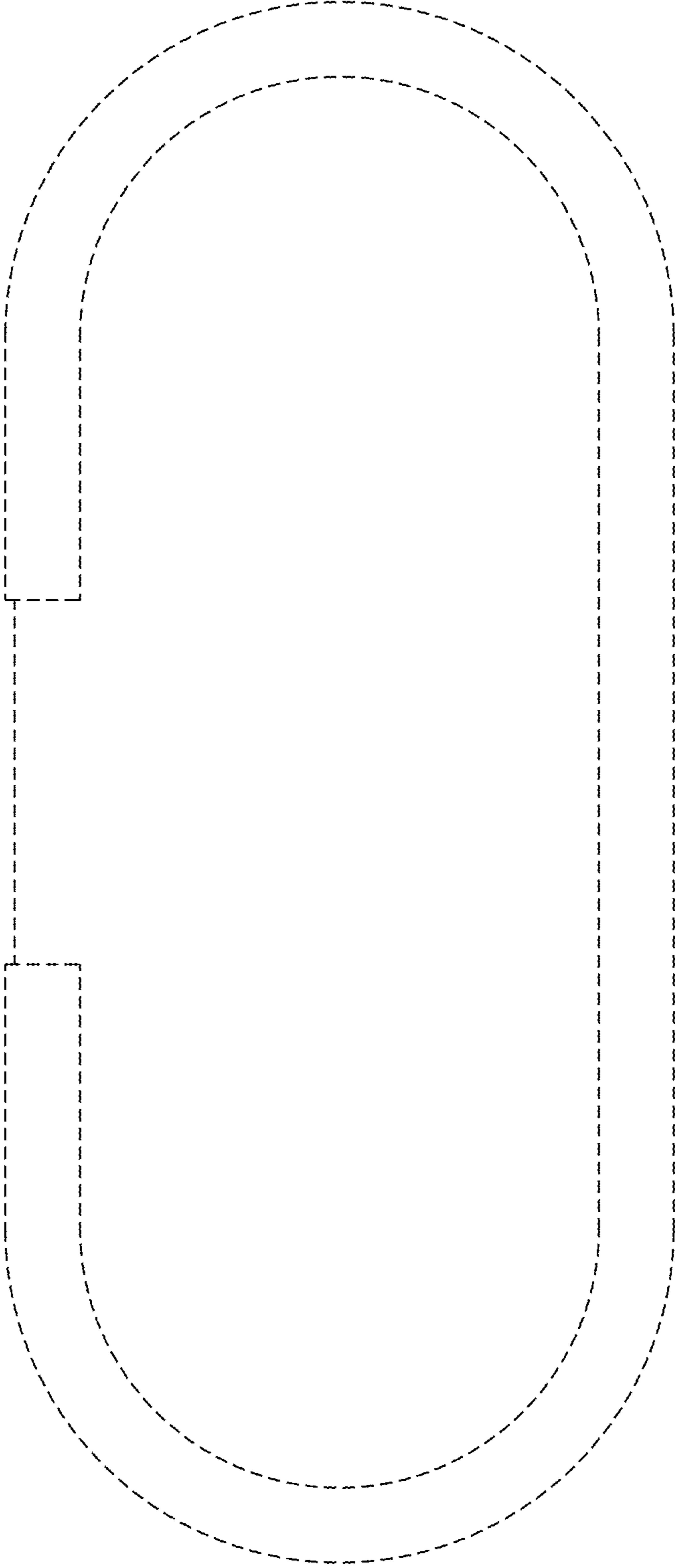


FIG. 2

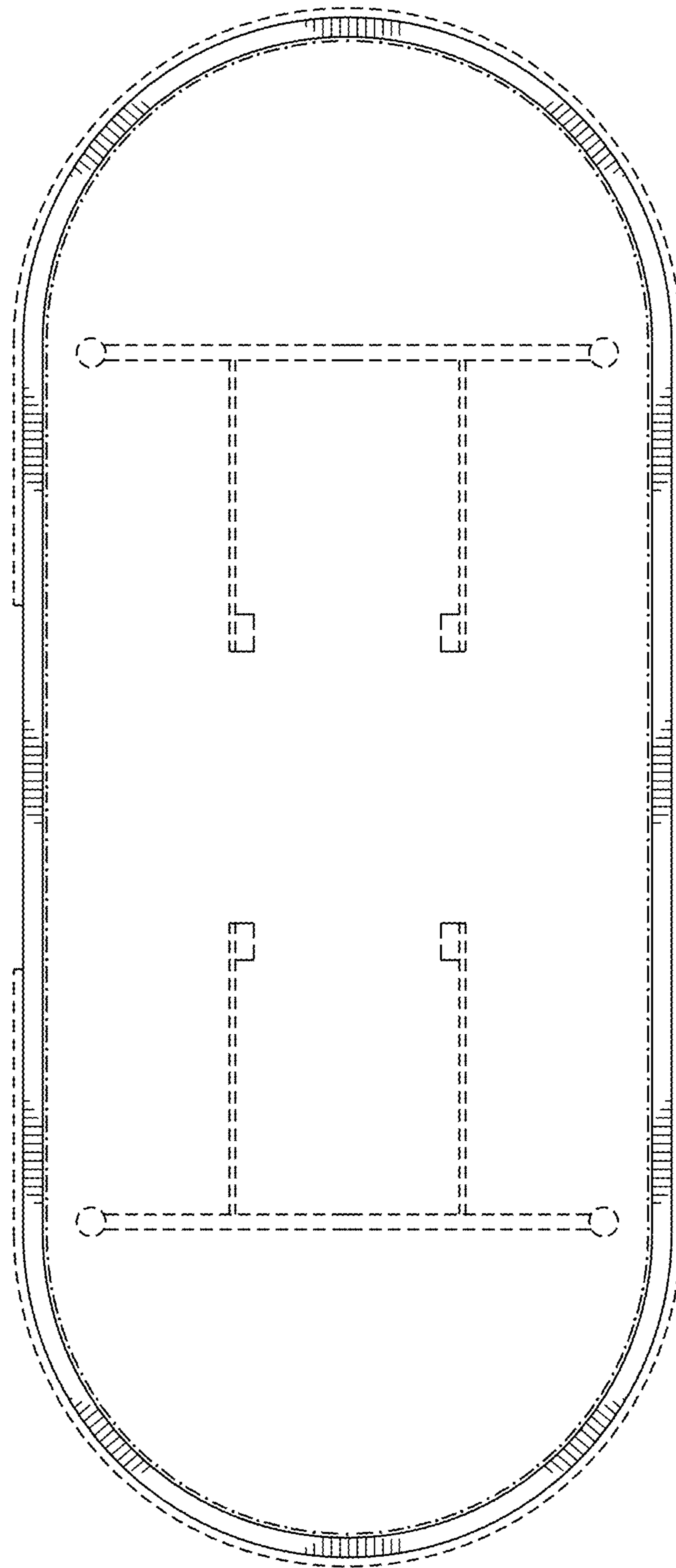


FIG. 3

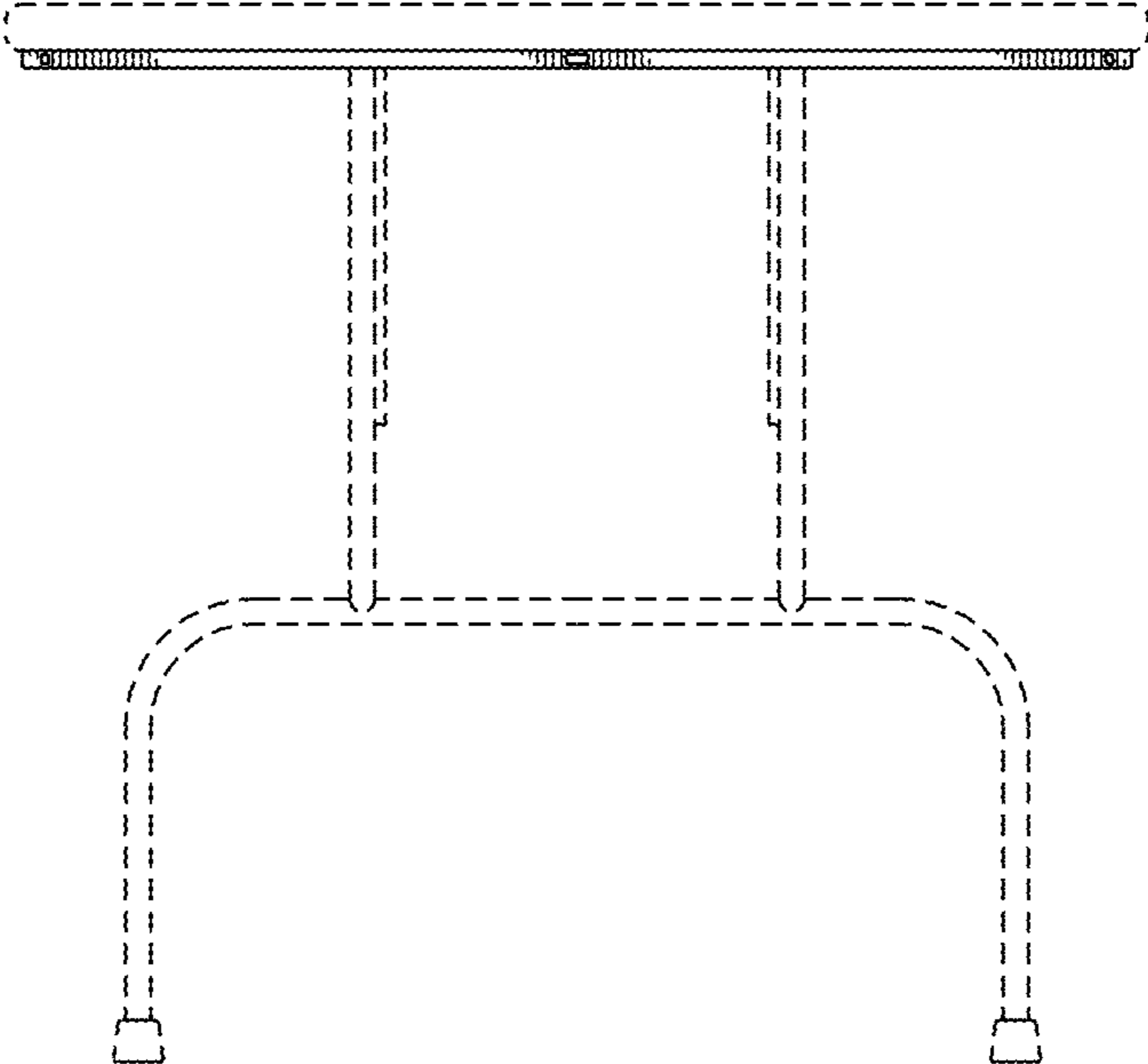


FIG. 4

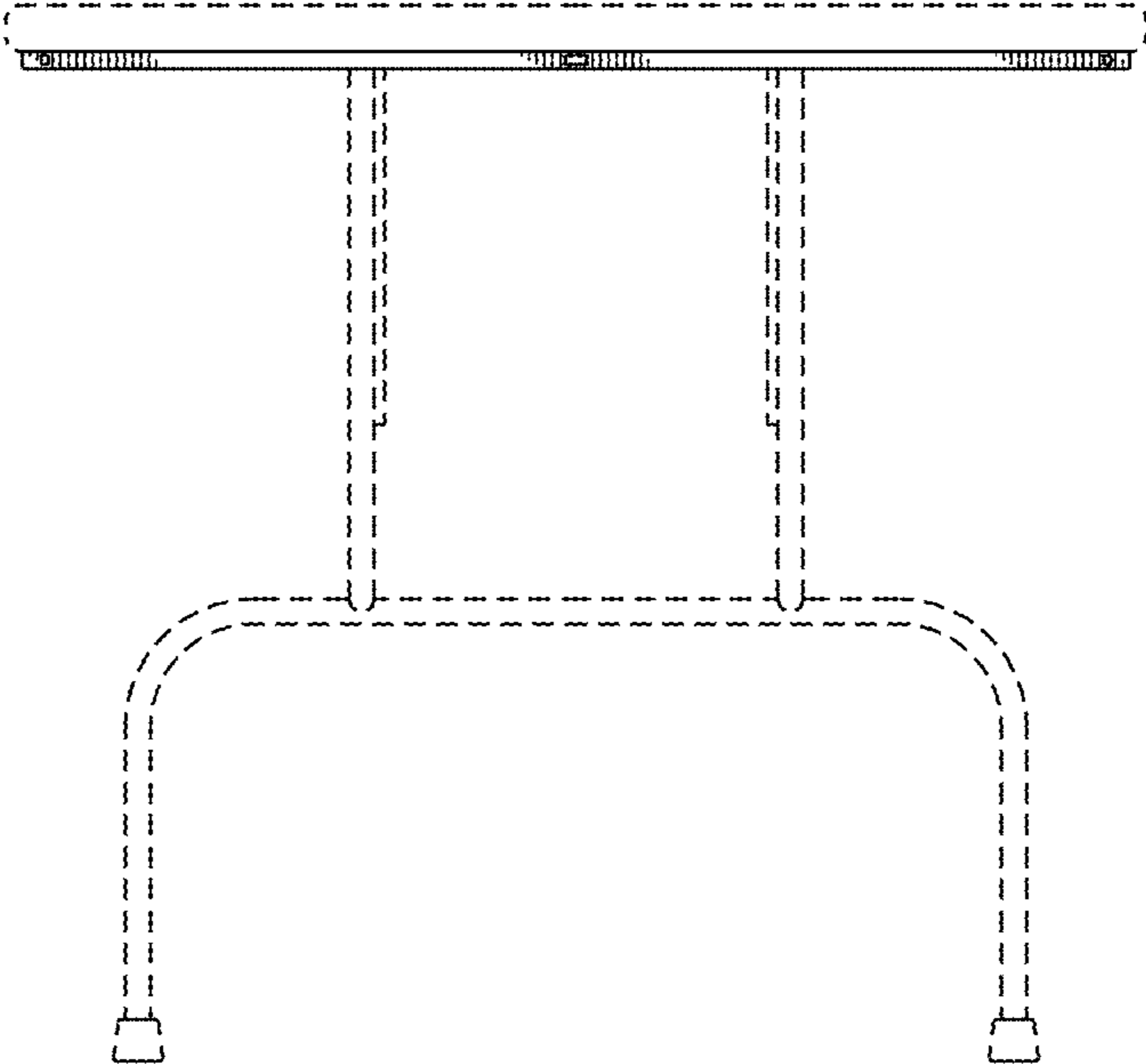


FIG. 5

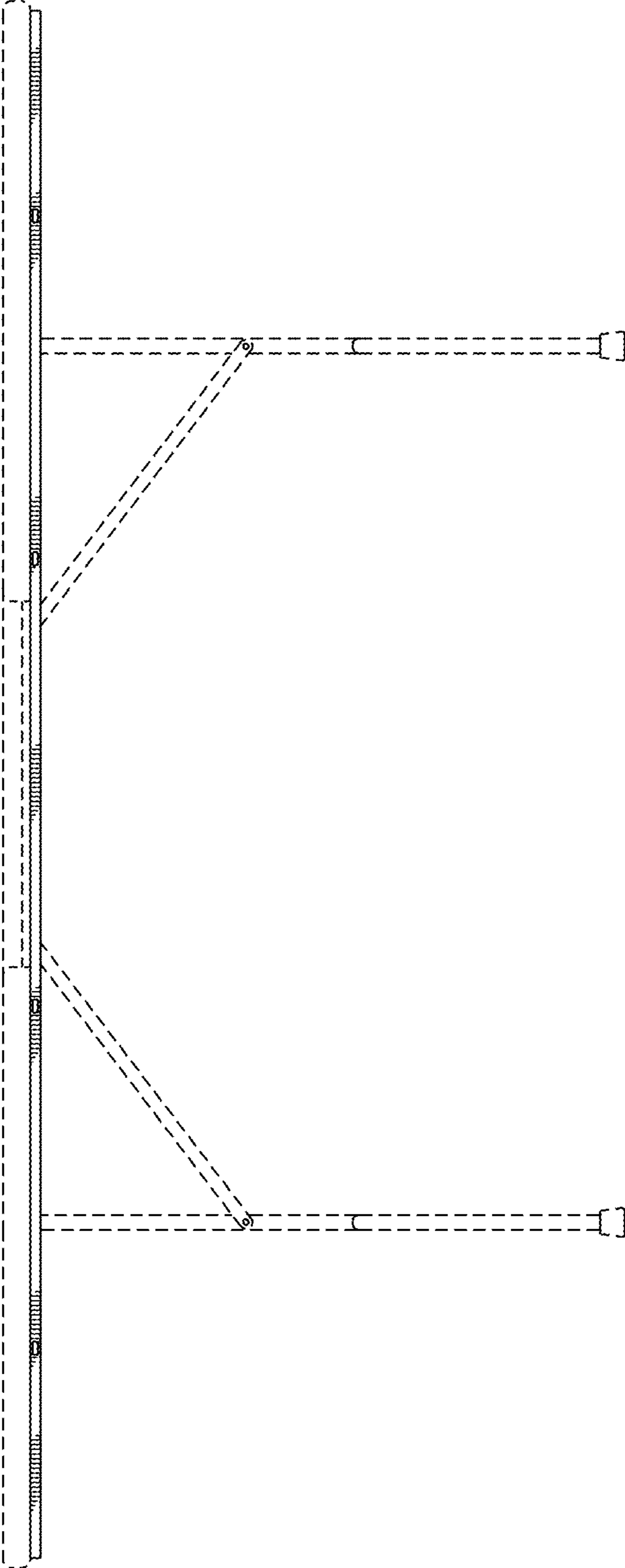


FIG. 6

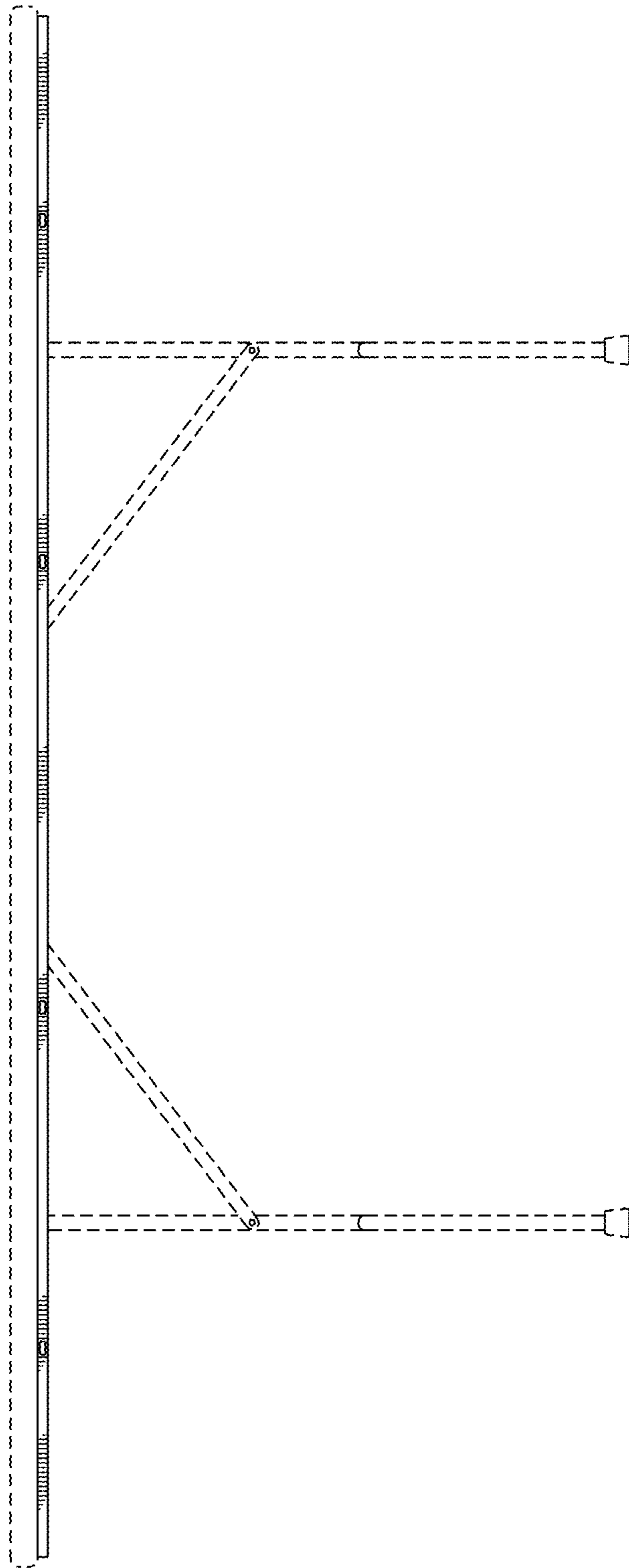


FIG. 7