



US00D720017S

(12) **United States Design Patent**  
**Fujino et al.**

(10) **Patent No.:** **US D720,017 S**  
(45) **Date of Patent:** **\*\* Dec. 23, 2014**

(54) **PORTABLE COMPUTER**

(71) Applicant: **Nintendo Co., Ltd.**, Kyoto (JP)

(72) Inventors: **Takaki Fujino**, Kyoto (JP); **Yui Ehara**,  
Kyoto (JP); **Tetsuya Akama**, Kyoto (JP);  
**Kochi Kawai**, Kyoto (JP); **Kazuhiko**  
**Koriyama**, Kyoto (JP)

(73) Assignee: **Nintendo Co., Ltd.**, Kyoto (JP)

(\*\*) Term: **14 Years**

(21) Appl. No.: **29/478,581**

(22) Filed: **Jan. 7, 2014**

(30) **Foreign Application Priority Data**

Aug. 23, 2013 (JP) ..... 2013-019286

(51) **LOC (10) Cl.** ..... **21-01**

(52) **U.S. Cl.**  
USPC ..... **D21/329; D14/203.7**

(58) **Field of Classification Search**  
CPC ..... A63F 9/00; A63F 9/24; A63F 13/00;  
G06F 17/00; G06F 19/00; H01H 9/20; G07F  
17/32  
USPC ..... D21/324-333; D14/341-346, 356, 432,  
D14/496, 207.3, 203.7, 507, 399-401;  
273/148 B; 463/1, 29-47;  
345/156-161, 168, 169, 172; 341/22,  
341/23

See application file for complete search history.

(56) **References Cited**

**U.S. PATENT DOCUMENTS**

4,511,406 A \* 4/1985 Miller ..... 106/18.14  
5,085,798 A \* 2/1992 Swan et al. .... 510/408  
D405,781 S \* 2/1999 Renk ..... D14/126

D460,787 S \* 7/2002 Nishikawa ..... D21/329  
6,743,104 B1 \* 6/2004 Ota et al. .... 463/44  
D539,354 S \* 3/2007 Mak ..... D21/329  
7,347,780 B1 \* 3/2008 Best ..... 463/37  
7,601,056 B2 \* 10/2009 Watanabe ..... 463/7  
D613,341 S \* 4/2010 Mar et al. .... D21/329  
7,867,075 B2 \* 1/2011 Irwin et al. .... 463/17  
D664,601 S \* 7/2012 Sogabe ..... D21/329  
8,672,767 B2 \* 3/2014 Ogasawara et al. .... 463/46

**OTHER PUBLICATIONS**

U.S. Appl. No. 29/478,577, filed Jan. 7, 2014, "Portable Computer,"  
Fujino et al.  
U.S. Appl. No. 29/478,578, filed Jan. 7, 2014, "Portable Computer,"  
Fujino et al.  
U.S. Appl. No. 29/478,579, filed Jan. 7, 2014, "Portable Computer,"  
Fujino et al.  
U.S. Appl. No. 29/478,580, filed Jan. 7, 2014, "Portable Computer,"  
Fujino et al.

\* cited by examiner

*Primary Examiner* — Prabhakar Deshmukh

(74) *Attorney, Agent, or Firm* — Nixon & Vanderhye PC

(57) **CLAIM**

The ornamental design for a portable computer, as shown and  
described.

**DESCRIPTION**

FIG. 1 is a front perspective view of a portable computer  
showing our new design;  
FIG. 2 is a rear perspective view thereof;  
FIG. 3 is a front view thereof;  
FIG. 4 is a back view thereof;  
FIG. 5 is a left view thereof;  
FIG. 6 is a right view thereof;  
FIG. 7 is a top view thereof; and,  
FIG. 8 is a bottom view thereof.

**1 Claim, 7 Drawing Sheets**

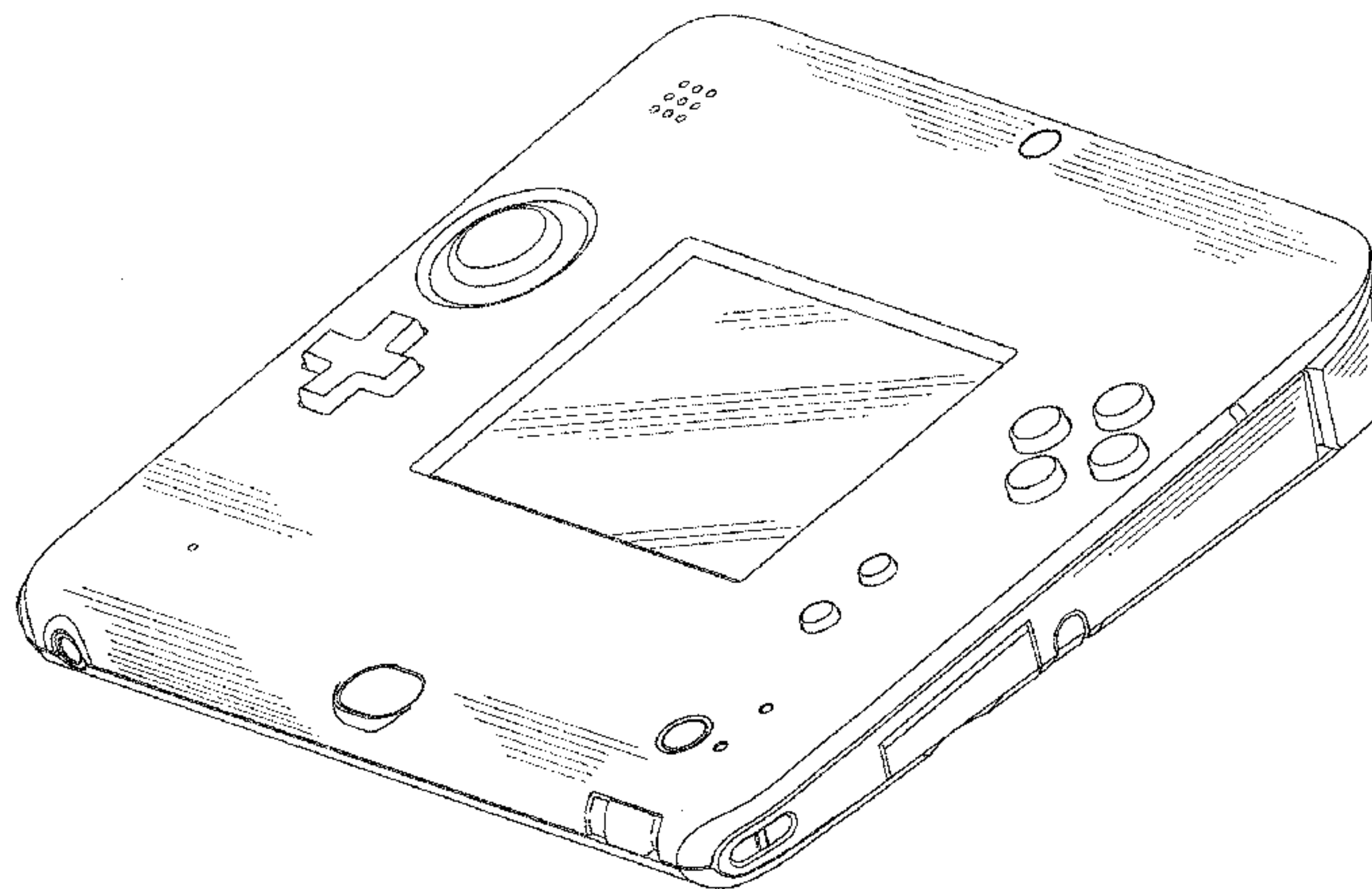


Fig 1

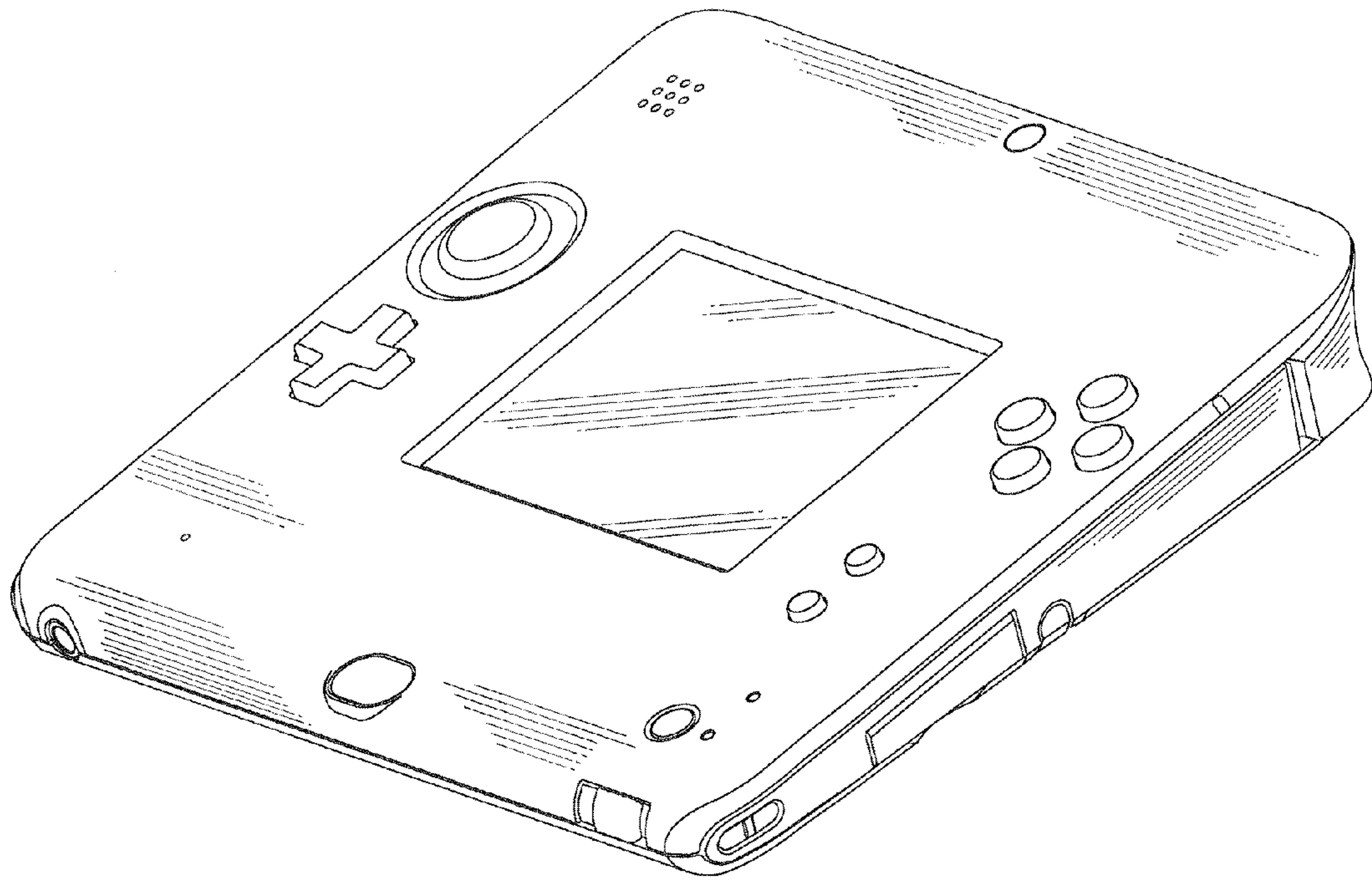


Fig 2

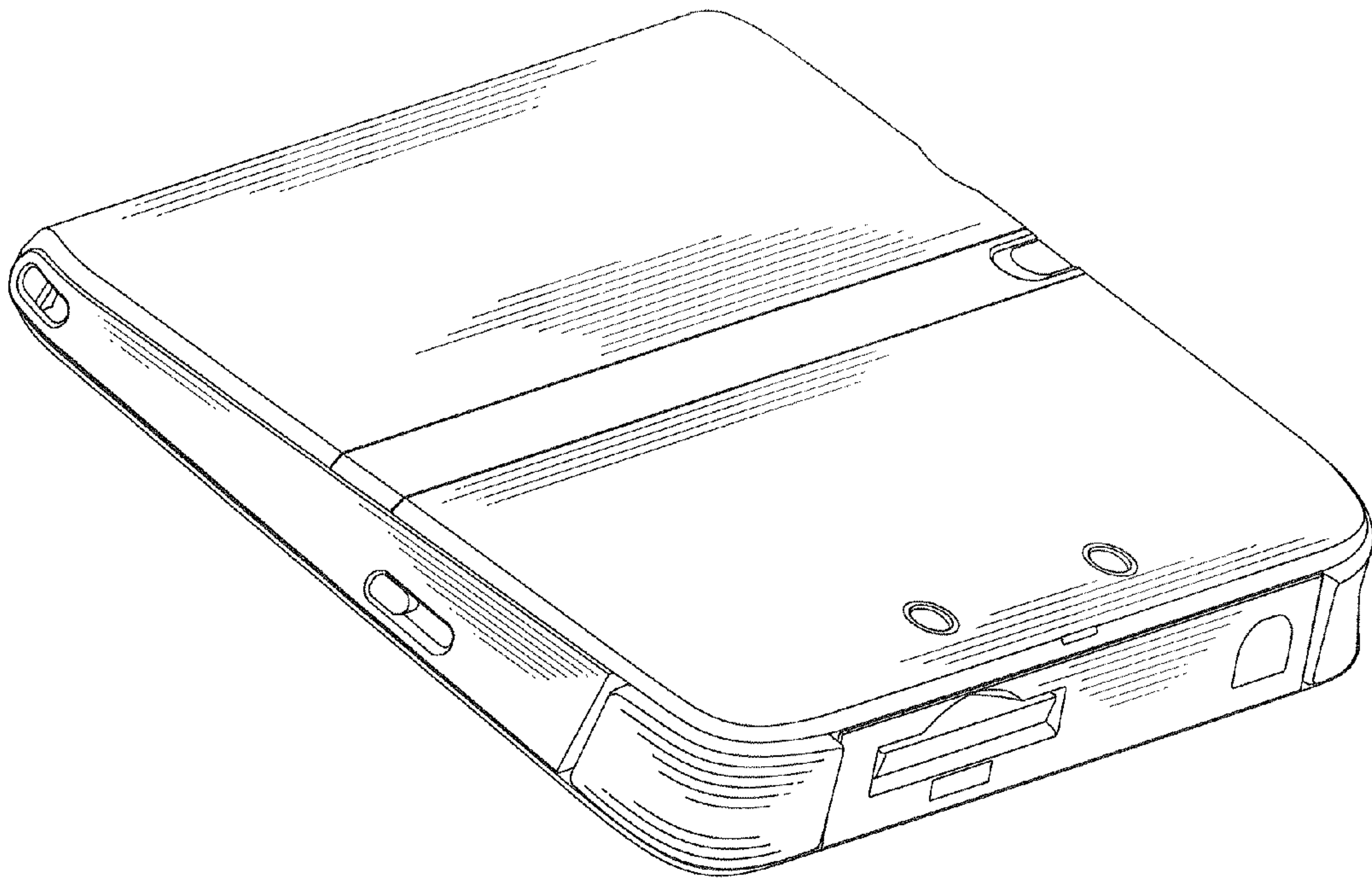


Fig 3

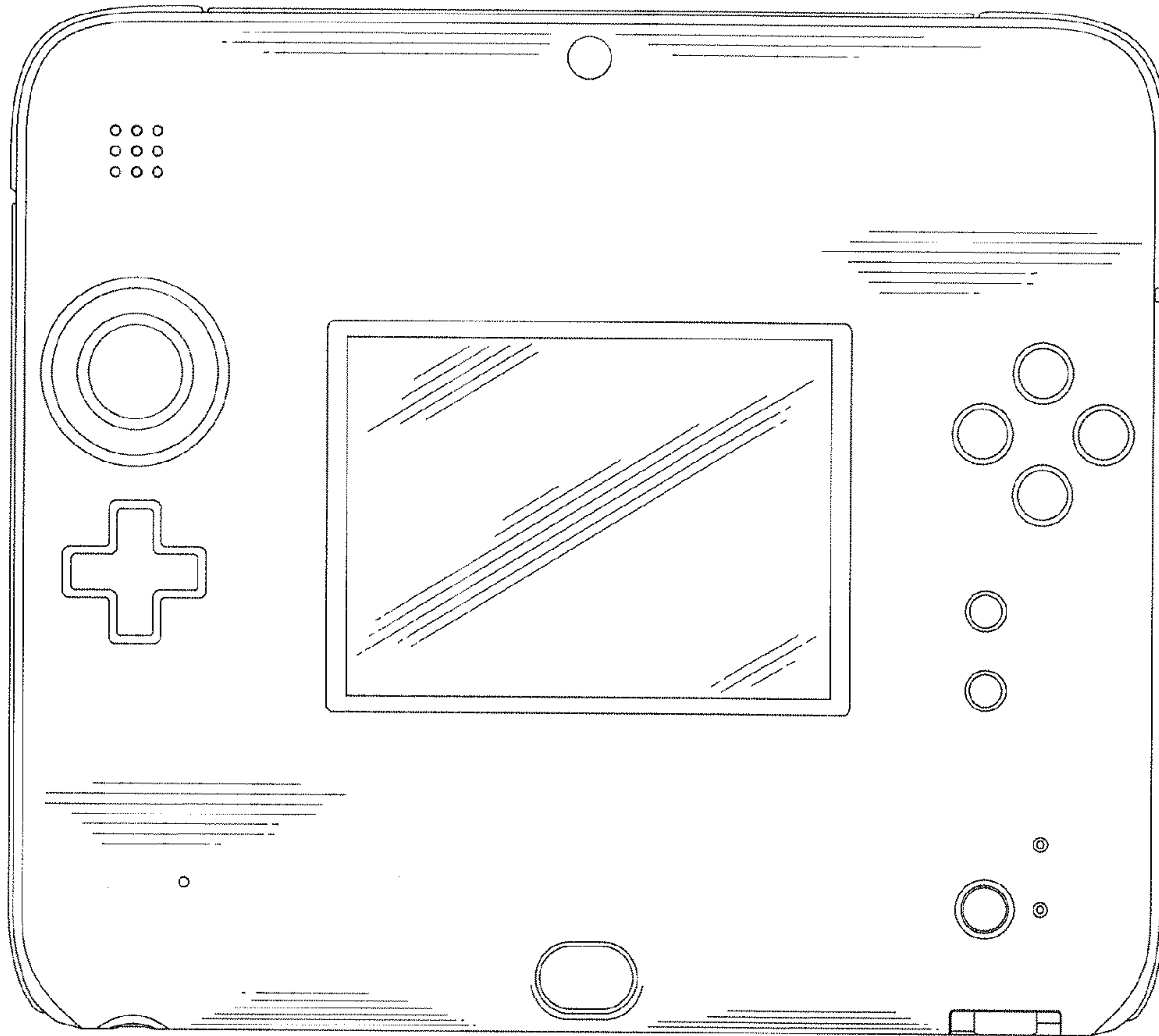




Fig 4

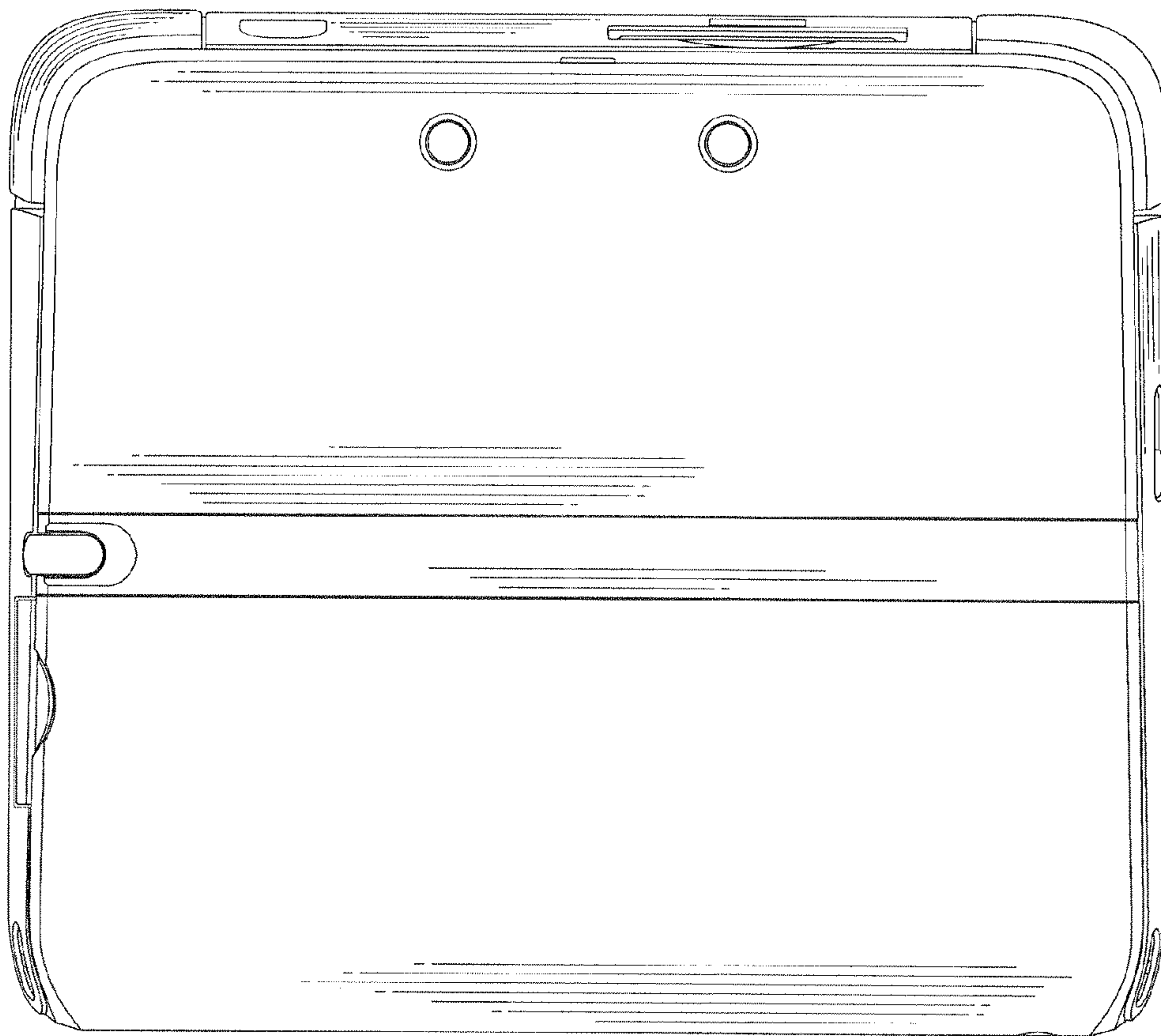


Fig 5

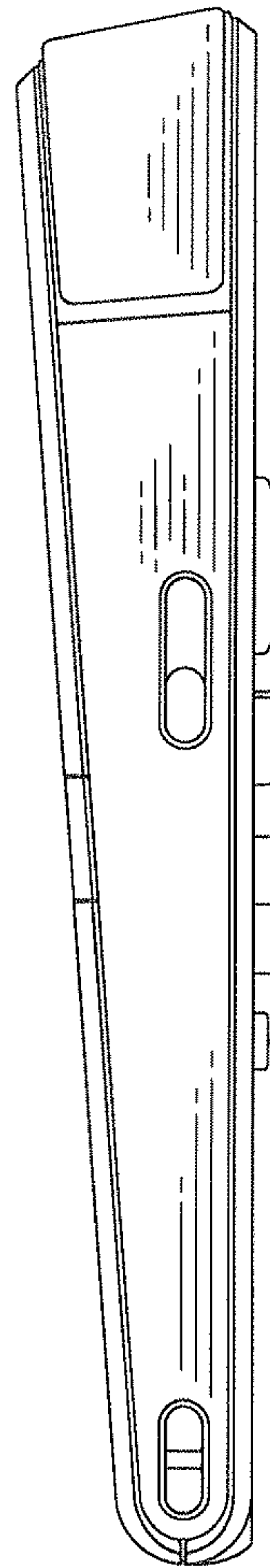


Fig 6

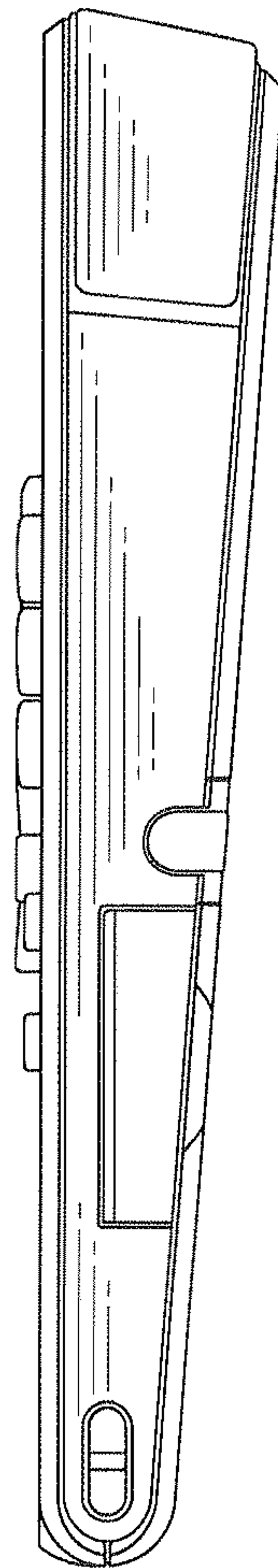


Fig 7

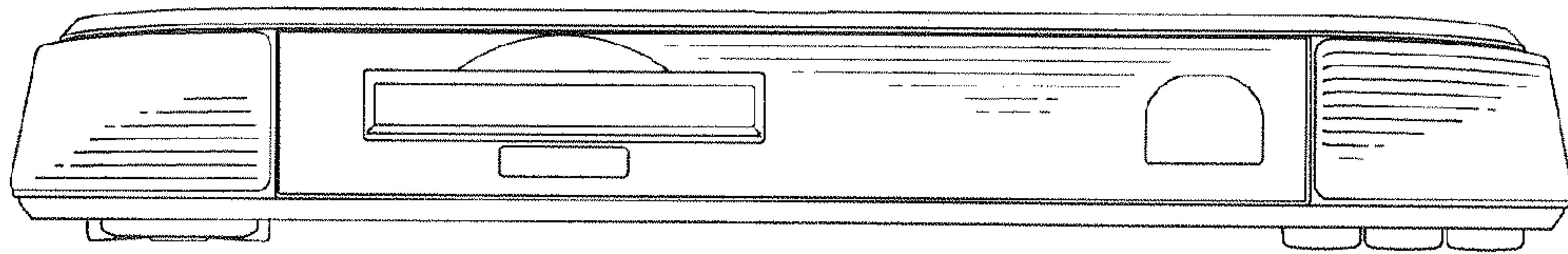


Fig 8

