



US00D720006S

(12) **United States Design Patent**  
**Grosz et al.**

(10) **Patent No.:** **US D720,006 S**  
(45) **Date of Patent:** **\*\* Dec. 23, 2014**

(54) **PHOTOBOOK**

(71) Applicant: **Interactive Memories, Inc.**, Palo Alto, CA (US)

(72) Inventors: **Aryk Erwin Grosz**, Palo Alto, CA (US);  
**Yedidya Medina**, San Mateo, CA (US)

(73) Assignee: **Interactive Memories, Inc.**, Palo Alto, CA (US)

(\*\*) Term: **14 Years**

(21) Appl. No.: **29/500,033**

(22) Filed: **Aug. 21, 2014**

(51) **LOC (10) Cl.** ..... **19-04**

(52) **U.S. Cl.**  
USPC ..... **D19/26**

(58) **Field of Classification Search**  
CPC ..... A47G 1/06; B42D 1/08; B42D 3/002;  
B42D 3/12  
USPC ..... D19/26, 27, 66, 86, 100; 150/131, 132,  
150/135; 281/3.1, 4, 15.1, 16, 20, 21.1, 22,  
281/51; 402/2, 80 R, 500, 502  
See application file for complete search history.

(56) **References Cited**

**U.S. PATENT DOCUMENTS**

1,710,483 A	4/1929	Kbaushab	
2,088,672 A	8/1937	Steinthal	
D159,614 S	8/1950	Hersh	
D182,105 S	2/1958	Chase	
2,850,294 A	9/1958	Orifa	
3,188,114 A	6/1965	O'Brien et al.	
D212,148 S	8/1968	Dean	
D243,525 S *	3/1977	Summers et al.	..... D19/26

4,164,085 A 8/1979 Steeb et al.  
4,259,799 A 4/1981 Fulton  
4,267,655 A 5/1981 Holson

(Continued)

**OTHER PUBLICATIONS**

Picaboo, "Picaboo photobooks," Picaboo website, available at <http://www.picaboo.com/photo-books/classic/> Accessed on Mar. 14, 2014.

(Continued)

*Primary Examiner* — Sheryl Lane

*Assistant Examiner* — Ieisha Price

(74) *Attorney, Agent, or Firm* — American Patent Agency PC; Daniar Hussain; Karl P. Dresdner, Jr.

(57) **CLAIM**

The ornamental design for a photobook, as shown and described.

**DESCRIPTION**

FIG. 1 is a front perspective view of a photobook in a closed position with a photo strip on a front cover showing the new design;

FIG. 2 is a front view thereof;

FIG. 3 is a rear view thereof;

FIG. 4 is a right side view thereof;

FIG. 5 is a left side view thereof;

FIG. 6 is a top view thereof;

FIG. 7 is a bottom view thereof;

FIG. 8 is an inside perspective view of the photobook in an open position;

FIG. 9 is an outside perspective view of the photobook in said open position;

FIG. 10 is an outside view thereof;

FIG. 11 is an inside view thereof;

FIG. 12 is a right side view thereof;

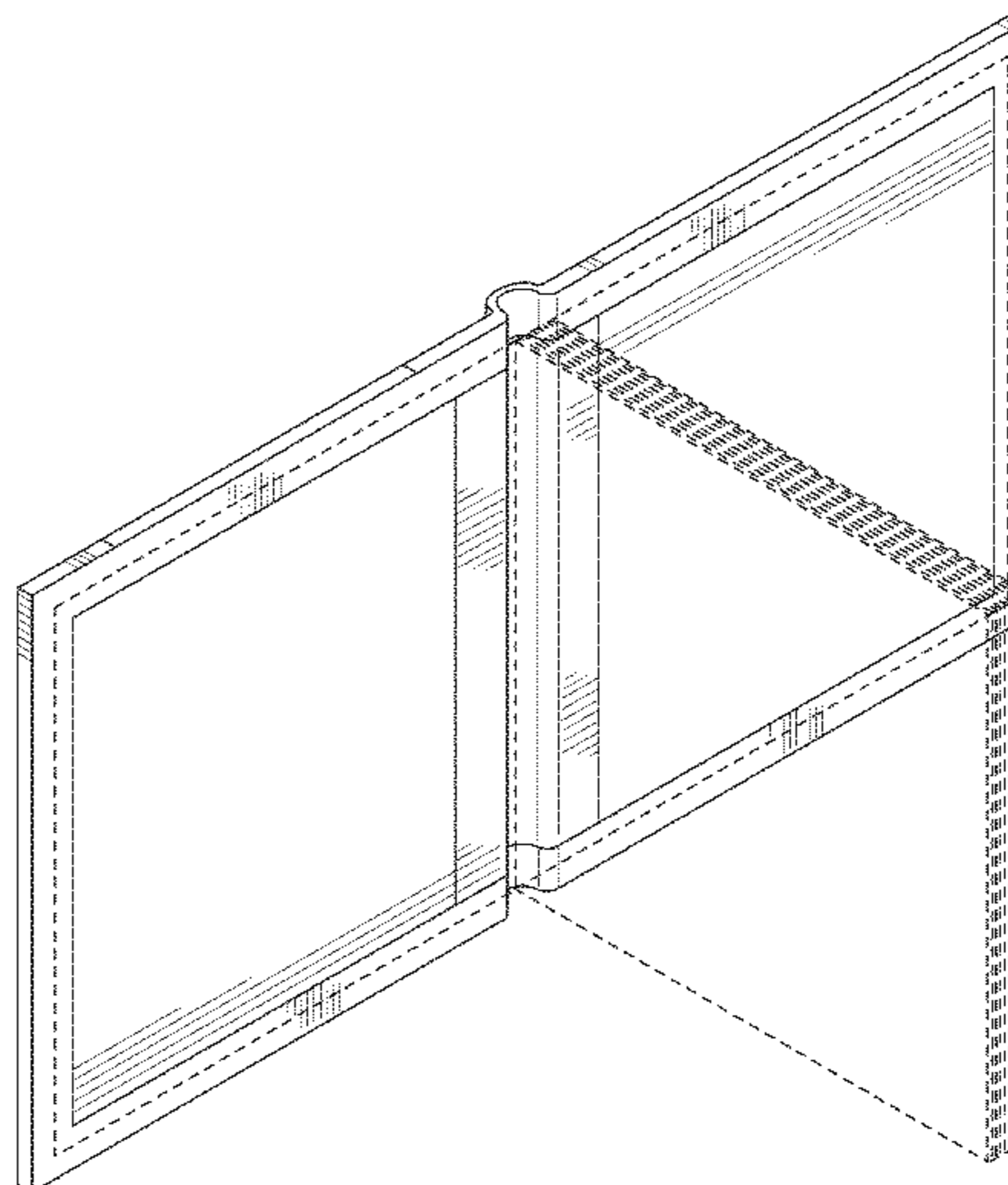
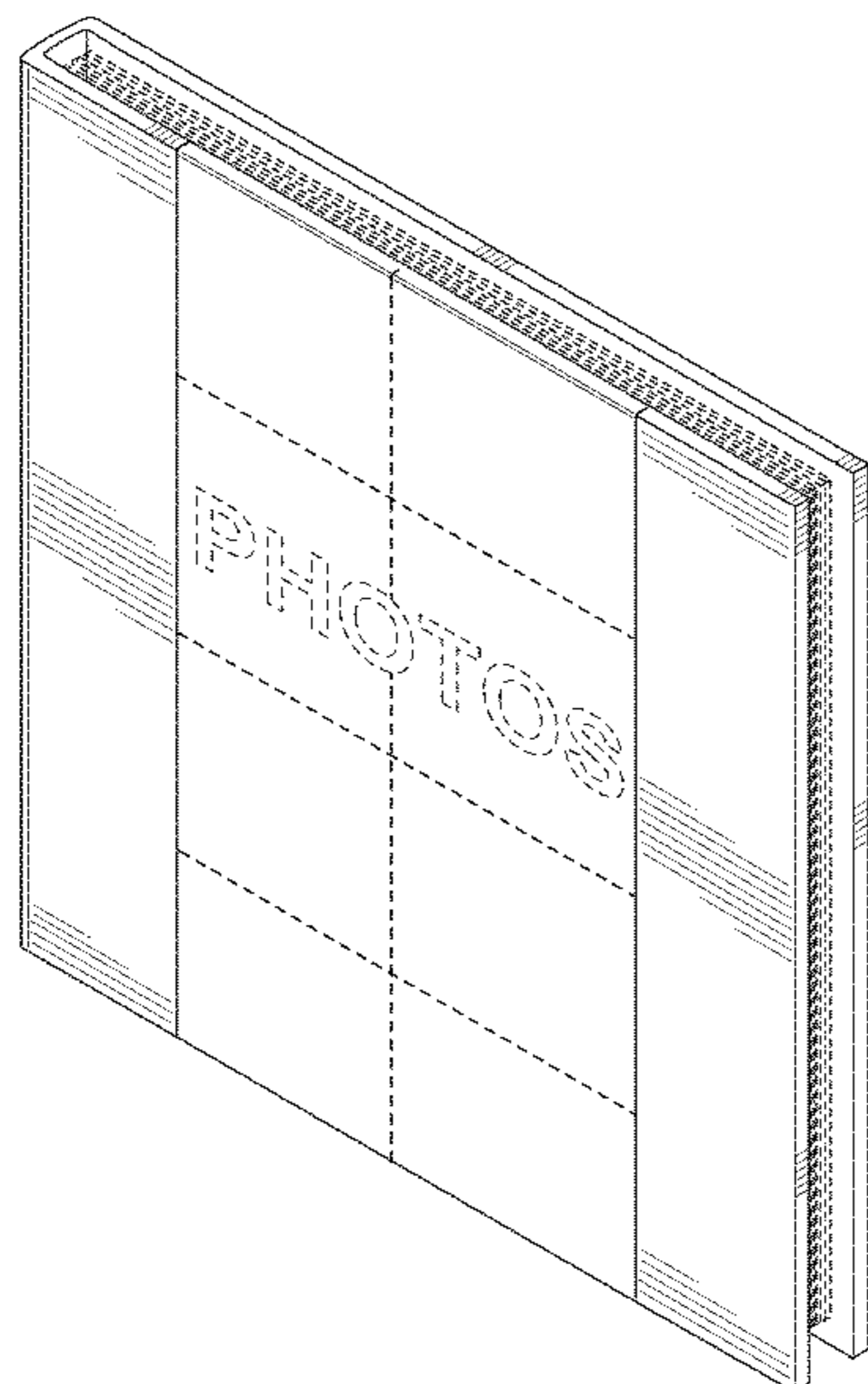
FIG. 13 is a left side view thereof;

FIG. 14 is a top view thereof; and,

FIG. 15 is a bottom view thereof.

The broken lines in the drawings illustrate portions of the photobook which form no part of the claimed design.

**1 Claim, 8 Drawing Sheets**



(56)

References Cited

U.S. PATENT DOCUMENTS

D266,771 S 11/1982 Wihlke  
 4,378,647 A 4/1983 Stancato  
 D295,189 S 4/1988 Gordon  
 D312,095 S 11/1990 Mandel  
 D330,853 S 11/1992 Koytuk  
 D340,070 S 10/1993 Tan  
 D344,096 S 2/1994 Tan  
 D350,365 S 9/1994 Kelley et al.  
 5,490,739 A 2/1996 Olson  
 5,816,730 A 10/1998 Alspaw et al.  
 D407,432 S 3/1999 Tell  
 D413,922 S 9/1999 Thomas  
 D415,419 S 10/1999 Abiteboul  
 D417,890 S 12/1999 Joe et al.  
 D418,160 S 12/1999 Gunasekera  
 D421,049 S 2/2000 Armenta et al.  
 D421,460 S 3/2000 Joe et al.  
 D425,116 S 5/2000 Pflug et al.  
 6,145,882 A 11/2000 Fu  
 6,288,719 B1 9/2001 Squilla et al.  
 D453,766 S 2/2002 Grandcolas et al.  
 D456,447 S \* 4/2002 Ader et al. .... D19/27  
 D460,482 S 7/2002 Nomura  
 6,540,260 B1 4/2003 Tan  
 6,547,472 B2 4/2003 Jordan  
 D477,361 S 7/2003 Park  
 D479,531 S 9/2003 Yanagida  
 D485,172 S 1/2004 Defino  
 D486,499 S 2/2004 Hayashi et al.  
 6,742,809 B2 6/2004 Frosig et al.  
 D500,517 S 1/2005 Park  
 6,854,915 B1 2/2005 Ong  
 D505,975 S 6/2005 Navarre  
 D507,178 S 7/2005 Biddlecom et al.  
 D523,079 S 6/2006 Jackson  
 D541,291 S 4/2007 Zhou et al.  
 D545,894 S 7/2007 Park  
 D553,140 S 10/2007 Noviello et al.  
 D559,308 S 1/2008 Sakaguchi  
 D559,906 S 1/2008 Sakaguchi  
 D561,253 S 2/2008 Sakaguchi  
 D567,284 S 4/2008 Sakaguchi  
 D573,636 S 7/2008 Sakaguchi  
 D588,453 S 3/2009 Glade  
 D600,280 S 9/2009 Weber et al.  
 D601,154 S 9/2009 Pelczarski et al.  
 D642,615 S \* 8/2011 Naimi .... D19/26  
 D652,447 S 1/2012 Knox  
 D657,417 S 4/2012 Naimi  
 8,182,188 B2 5/2012 Manico et al.  
 D664,562 S 7/2012 McCain et al.  
 D664,967 S 8/2012 Lee et al.  
 D668,665 S 10/2012 Chen et al.  
 D673,864 S 1/2013 Read et al.  
 D674,809 S 1/2013 Furue  
 D678,894 S 3/2013 Kanalakis et al.  
 D523,440 S 4/2013 Akana et al.  
 D681,657 S 5/2013 Deng  
 D682,279 S \* 5/2013 Fuchs .... D14/440  
 D682,854 S 5/2013 Kanalakis et al.  
 D687,846 S 8/2013 Jou  
 D691,154 S 10/2013 Talbot et al.  
 D691,653 S 10/2013 Benadon et al.  
 D691,900 S 10/2013 Kraus  
 D694,258 S 11/2013 Lee et al.  
 D694,763 S 12/2013 Edwards et al.  
 D694,770 S 12/2013 Edwards et al.  
 D695,751 S 12/2013 Edwards et al.  
 D696,266 S 12/2013 d'Amore et al.  
 D697,077 S 1/2014 Rodenhouse et al.  
 D697,078 S 1/2014 Carlin et al.  
 D697,924 S 1/2014 Woo-Seok et al.  
 D698,359 S 1/2014 Ray  
 D699,731 S 2/2014 Chand et al.  
 D708,055 S \* 7/2014 Elston et al. .... D9/423

2004/0119278 A1 6/2004 Metzger et al.  
 2004/0164542 A1 8/2004 Crawford  
 2006/0016114 A1 1/2006 Vanderberg  
 2006/0237961 A1 10/2006 Partain  
 2006/0284409 A1 \* 12/2006 Butler ..... 281/15.1  
 2007/0024048 A1 2/2007 Akin  
 2008/0050707 A1 \* 2/2008 Girouard ..... 434/236  
 2008/0211220 A1 9/2008 Boxer  
 2009/0231233 A1 \* 9/2009 Liberatore ..... 345/1.3  
 2009/0284002 A1 11/2009 Miranti  
 2009/0315313 A1 12/2009 Kalman  
 2010/0156085 A1 6/2010 Devoy et al.  
 2010/0158637 A1 \* 6/2010 Manico et al. .... 412/4  
 2010/0158639 A1 6/2010 Manico et al.  
 2011/0041372 A1 2/2011 Daniel  
 2011/0316266 A1 \* 12/2011 Miranti ..... 281/38  
 2012/0301865 A1 11/2012 Taylor  
 2013/0264812 A1 10/2013 Frech et al.  
 2014/0117657 A1 \* 5/2014 Nikirk ..... 281/29

OTHER PUBLICATIONS

Shutterfly, "Shutterfly photo book," Shutterfly website, available at <http://www.shutterfly.com/howto/photobook/cover.jsp> Accessed on Mar. 14, 2014.  
 Snapfish, "Snapfish photo book," Snapfish website, available at <http://www5.snapfish.com/photo-gift/photo-books> Accessed on Mar. 14, 2014.  
 Lulu, "Lulu photo books," Lulu website, available at <http://www.lulu.com/us/en/publish/photo-books> Accessed on Mar. 14, 2014.  
 Artscow, "Artscow photo album," Artscow website, available at <http://www.artscow.com/photo-books> Accessed on Mar. 14, 2014.  
 CVS Photocenter, "CVS Photocenter photobook," CVS Photocenter website, available at <http://www.cvsphoto.com/photo-books> Accessed on Mar. 14, 2014.  
 Digilabs, "Digilabs photo album," Digilabs website, available at <http://www.digilabspro.com/products/albums.shtml> Accessed on Mar. 14, 2014.  
 Blurb, "Blurb photo album," Blurb website, available at <http://www.blurb.com/create-photo-books> Accessed on Mar. 14, 2014.  
 MyCanvas, "MyCanvas photo album," MyCanvas Website, available at <http://www.mycanvas.com/Products/Photo-Books.aspx> Accessed on Mar. 14, 2014.  
 Keepsy, "Keepsy photo album," Keepsy website, available at <http://www.keepsy.com/book/start> Accessed on Mar. 14, 2014.  
 Winkflash, "Winkflash photo album," Winkflash website, available at <http://www.winkflash.com/photo/books/> Accessed on Mar. 14, 2014.  
 Yogile, "Yogile photo album," Yogile website, available at <http://www.yogile.com/> Accessed on Mar. 14, 2014.  
 Moleskine, "Moleskine Photo albums," website, available at <http://moleskine.milkbooks.com/catalog/photo-albums.aspx> Accessed on Mar. 15, 2014.  
 Walgreens, "Walgreens photo," website, available at <http://photo.walgreens.com/walgreens/photobookdetails/product=collagebook> Accessed on Mar. 15, 2014.  
 Costco, "Costco photo center," website, available at <http://www.costcophotocenter.com/Shop/Photobooks#/> Accessed on Mar. 15, 2014.  
 Artifact Uprising, "Artifact uprising photo," website, available at <http://www.artifactuprising.com/site/home> Accessed on Mar. 15, 2014.  
 Kindred, "Kindred photo booklets," website, available at <http://www.kindredprints.com/> Accessed on Mar. 15, 2014.  
 Pinhole Press, "Pinhole press photo album," website available at <https://pinholepress.com/category/photo-books/> Accessed on Mar. 15, 2014.  
 Impressed, "Impressed App," website available at <http://www.impressedapp.com/#0> Accessed on Mar. 15, 2014.  
 Artkive, "Artkive App," website available at <http://www.artkiveapp.com/> Accessed on Mar. 15, 2014.  
 Photos in a Booth, "Photos in a booth album" available at: <http://www.photosinabooth.com/au/photostrip-layout-options/photostrip-50pg-glorious-leather-drymount.aspx> Accessed on Mar. 15, 2014.

(56)

**References Cited**

OTHER PUBLICATIONS

Redtree Albums, "Red tree photo albums," available at <https://www.redtreealbums.com/albums/redtree-photo-album> Accessed on Mar. 15, 2014.

Enjoybook, "Enjoy book," website available at <http://enjoybook.ru/> Accessed on Apr. 1, 2014.

Interactive Memories, Inc., "Mosaic," website available at <http://heymosaic.com/> Accessed on Mar. 14, 2014. Interactive Memories, Inc. is the owner of the "Mosaic" business name and the owner of heymosaic.com domain which features the Mosaic photobook (Inventors Caleb Timothy Elston and Michael Ryan Gowen).

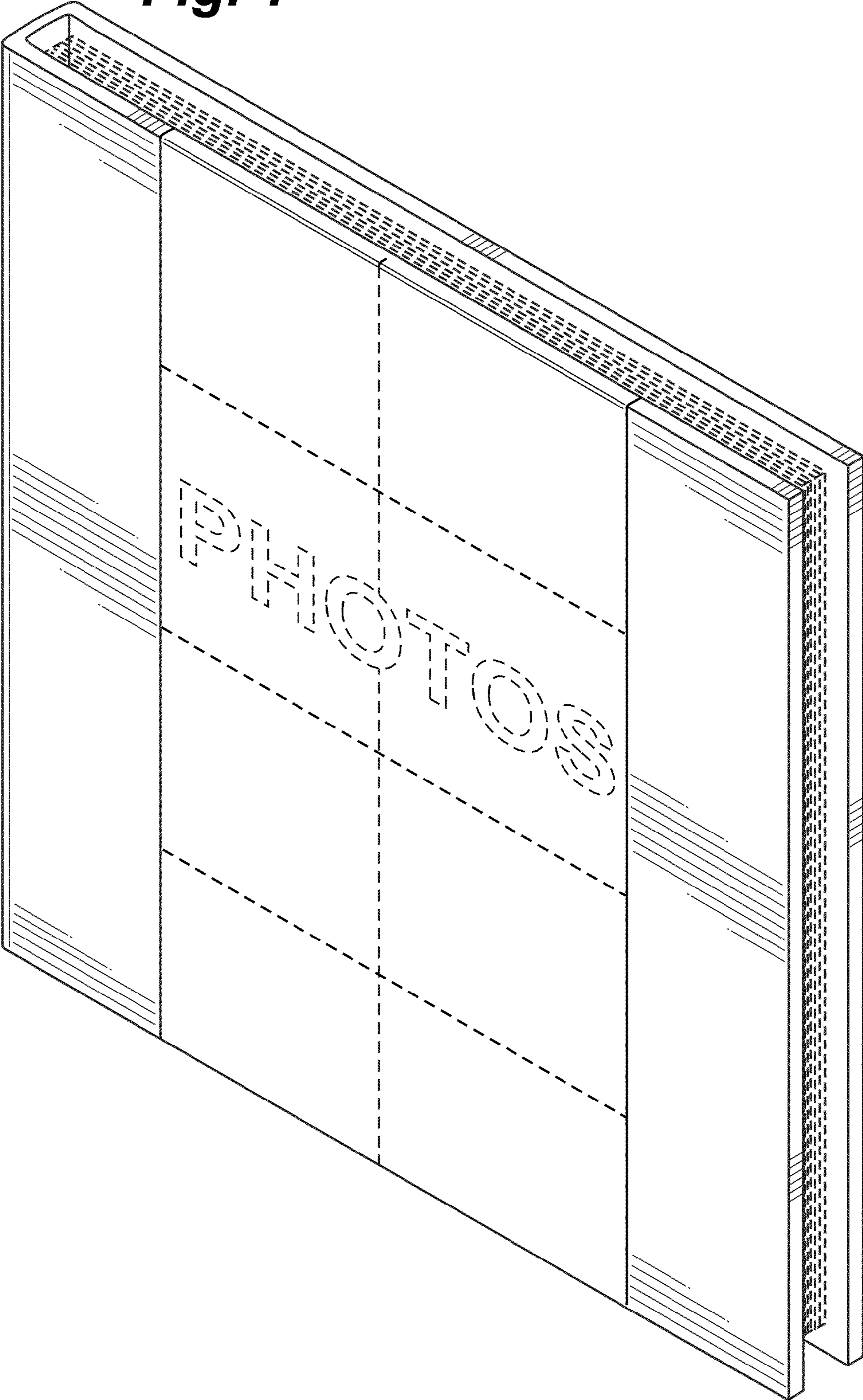
Tyndell, "Tyndell photographic packaging," available at <https://www.tyndellphotographic.com/product/albums/album-box/39-2> Accessed on Mar. 20, 2014.

Interactive Memories, Inc., "Montage," website available at <http://www.montagebook.com/> Accessed on May 19, 2014. Interactive Memories, Inc. is the owner of the "Montage" business name and the owner of montagebook.com domain which features the Montage photobook (Inventors Aryk Erwin Grosz and Yedidya Medina).

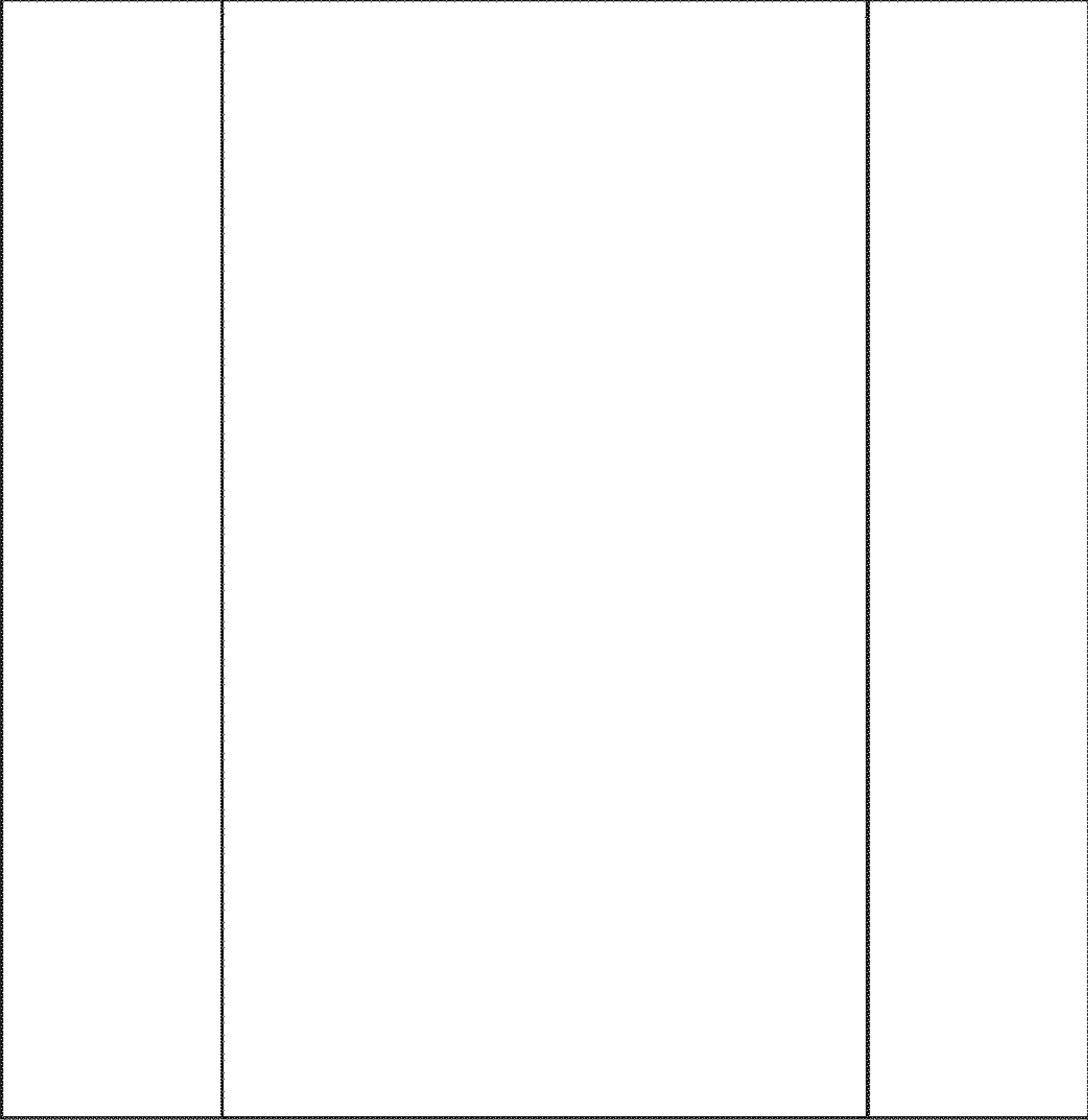
Techcrunch, "Mixbook debuts Montage," available at <http://techcrunch.com/2013/11/19/mixbook-debuts-montage-a-photo-book-builder-meant-to-take-minutes-not-hours/> Accessed on Jul. 18, 2014.

\* cited by examiner

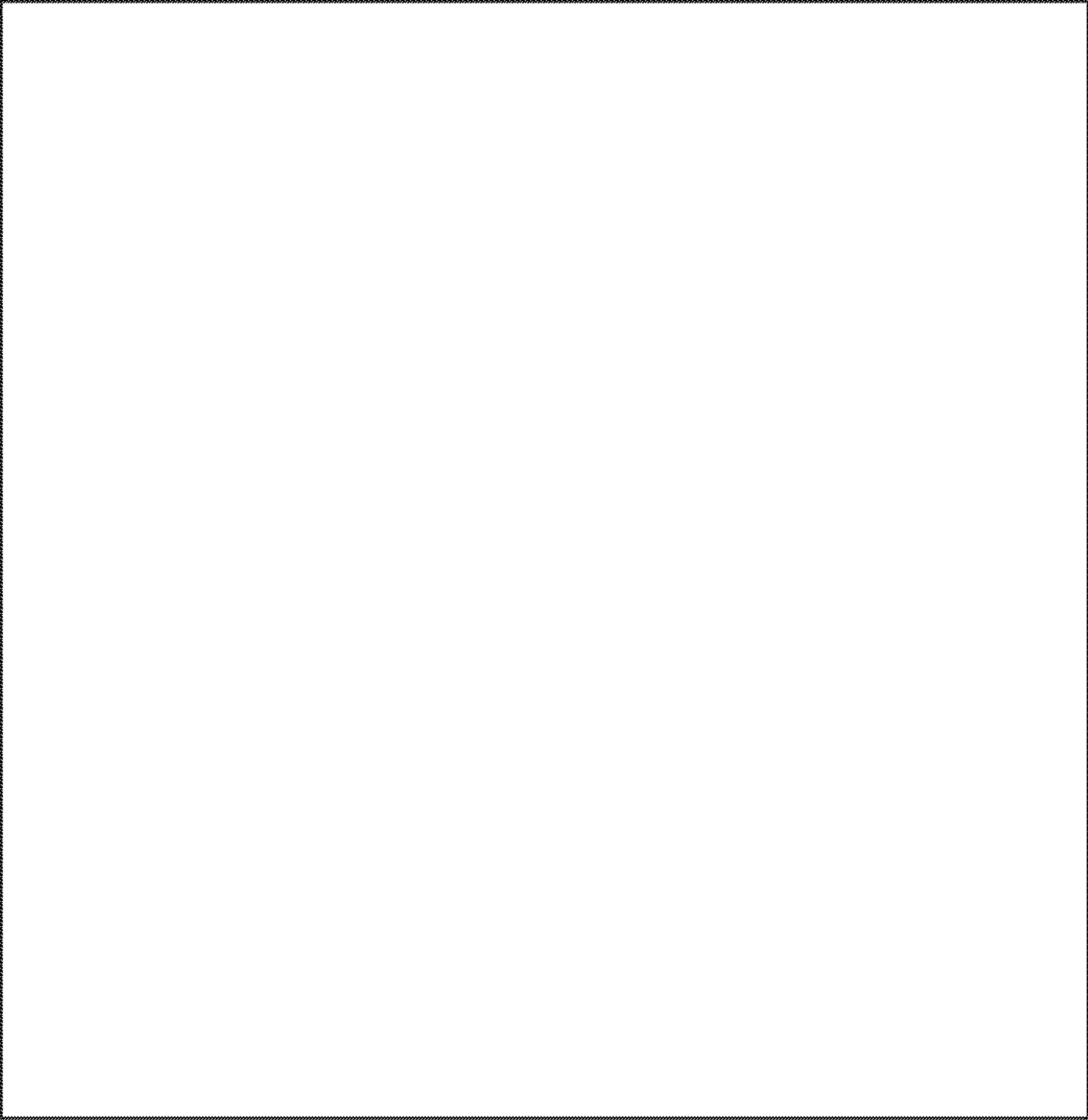
**Fig. 1**



***Fig. 2***



***Fig. 3***



**Fig. 4**



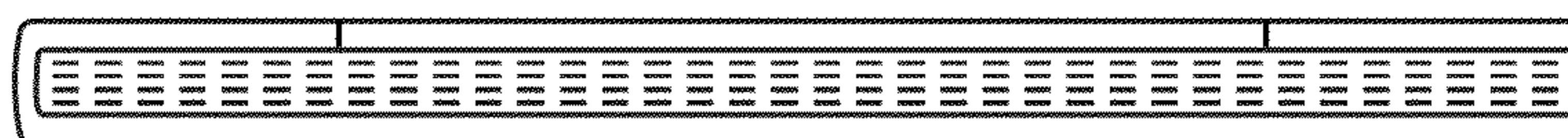
**Fig. 5**



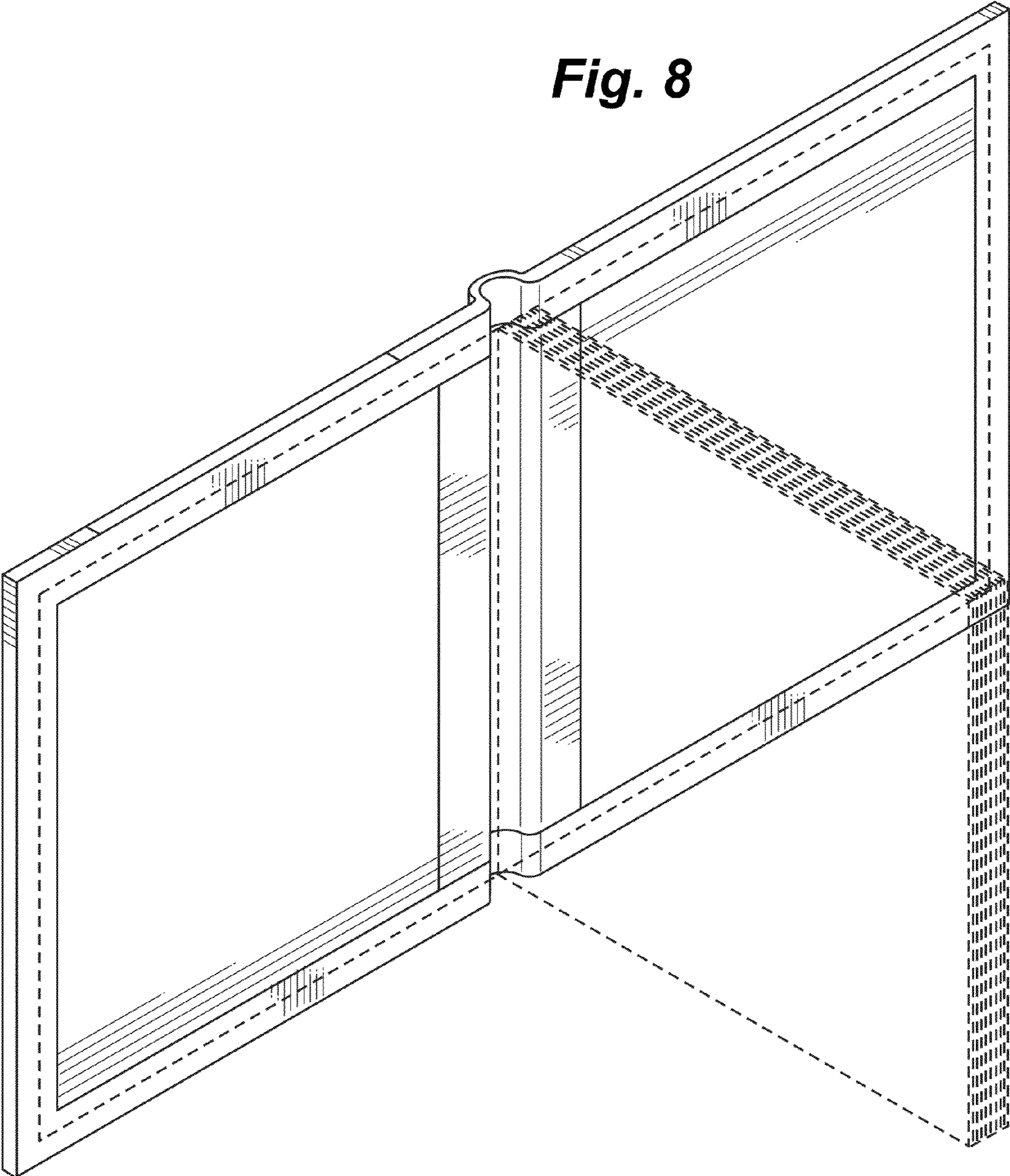
**Fig. 6**



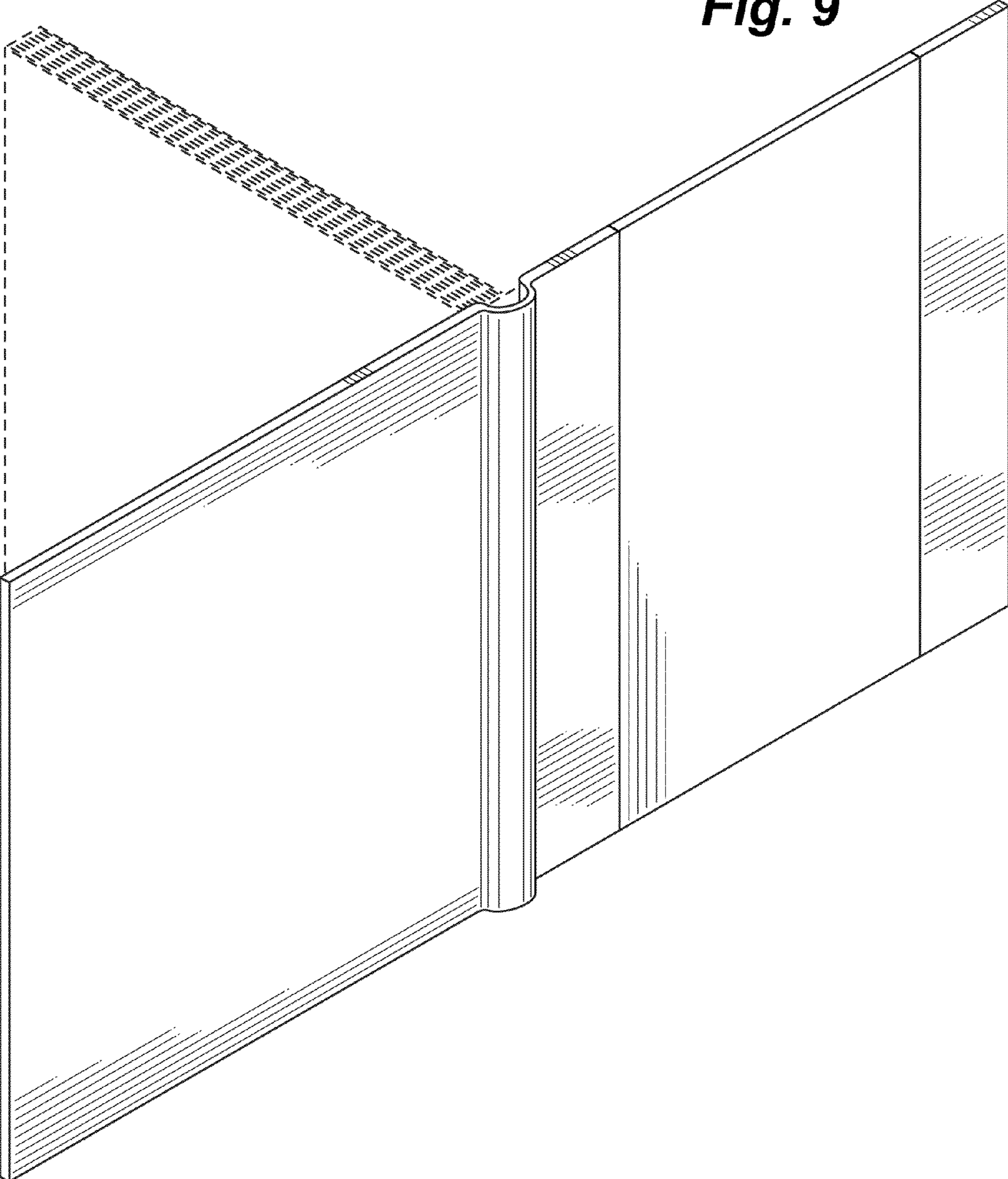
**Fig. 7**



**Fig. 8**

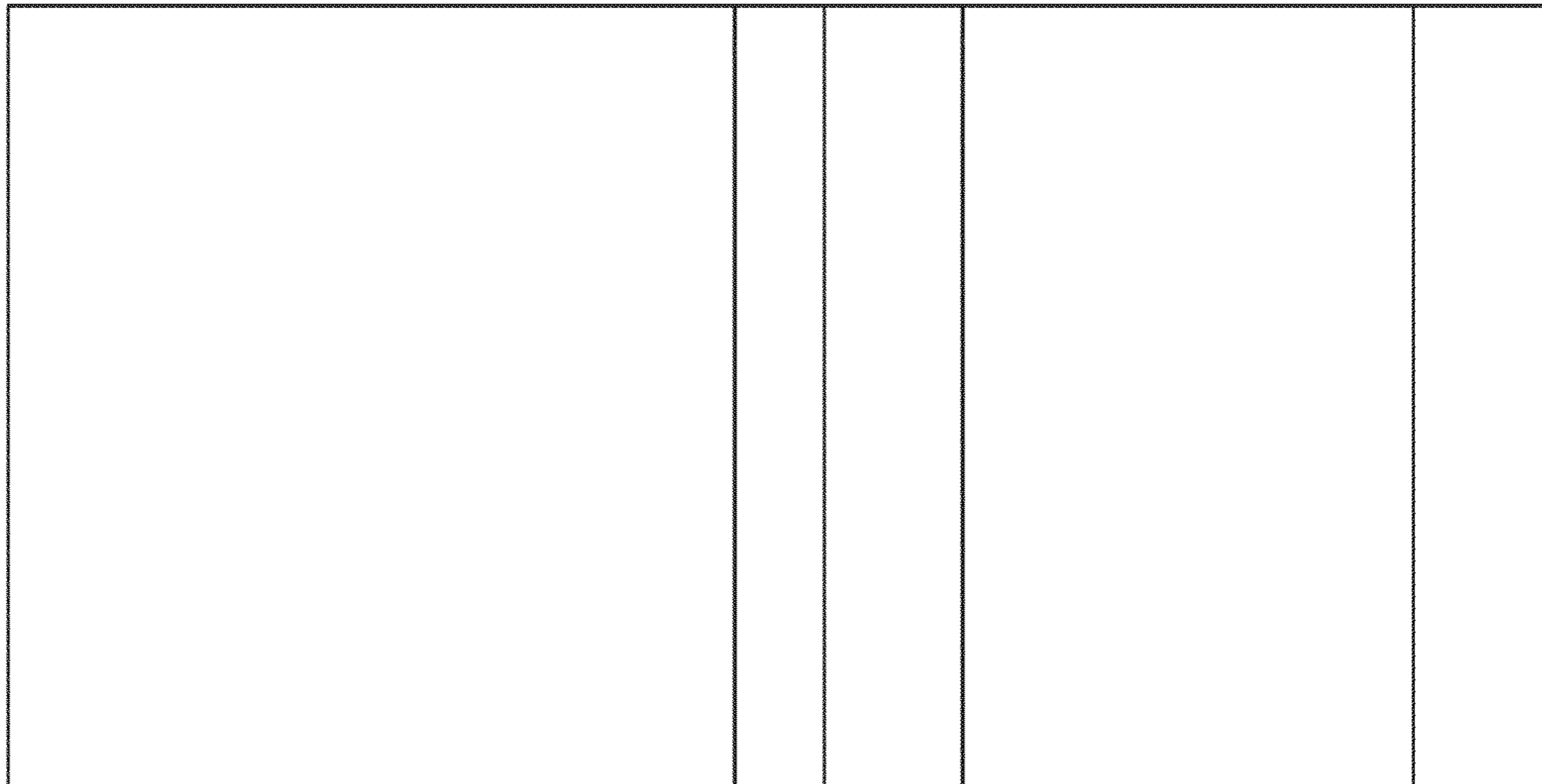


**Fig. 9**

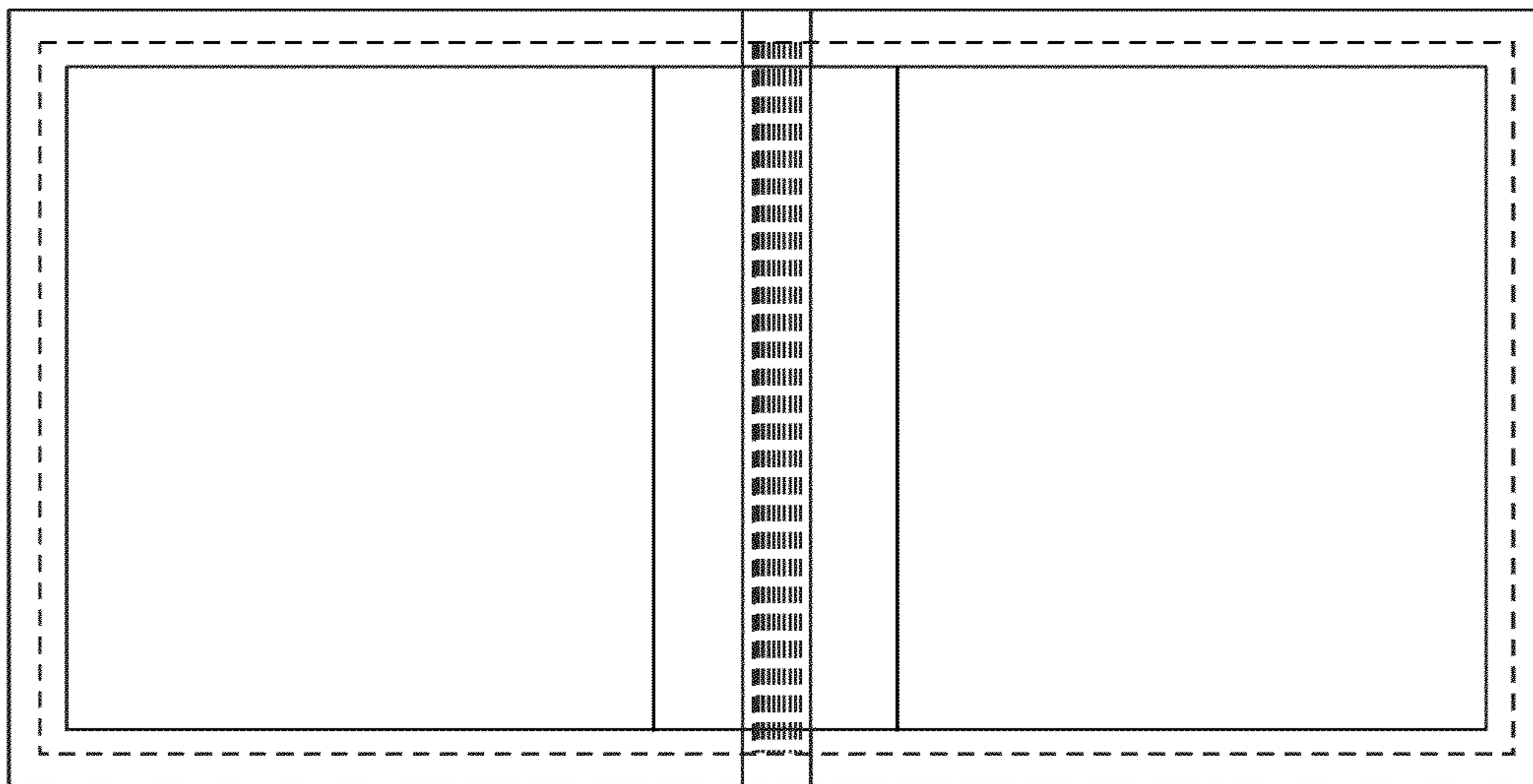




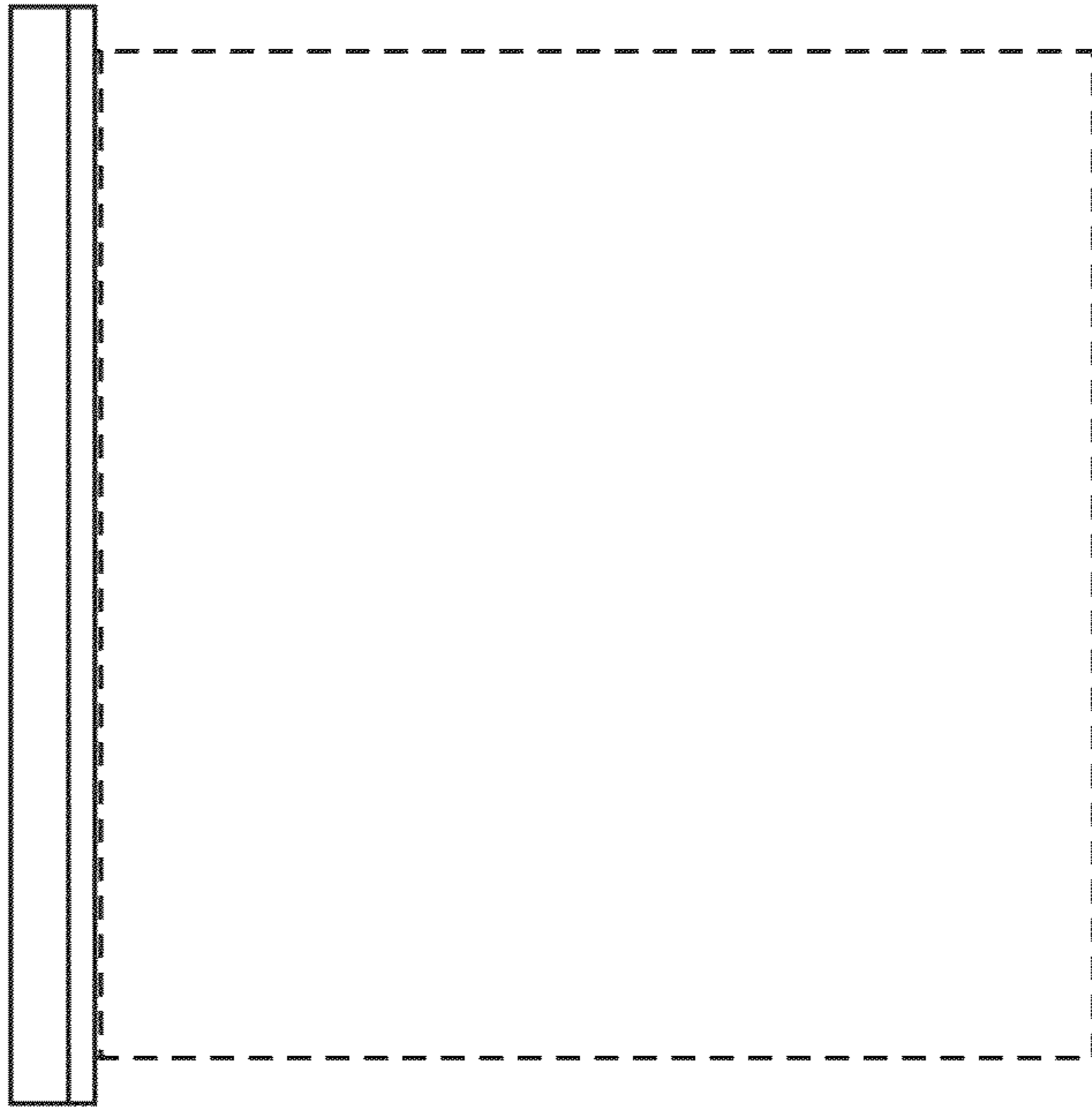
**Fig. 10**



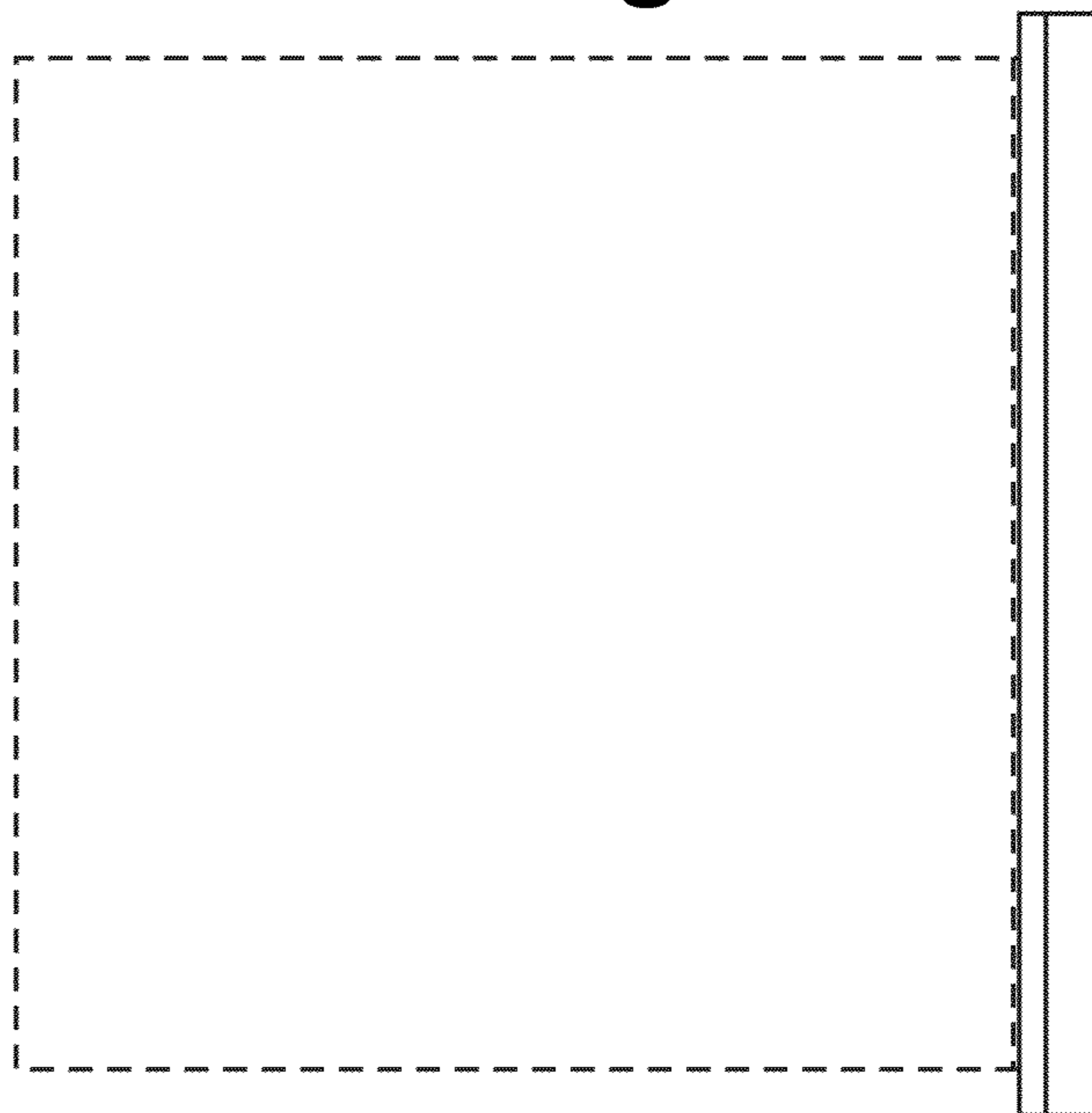
**Fig. 11**



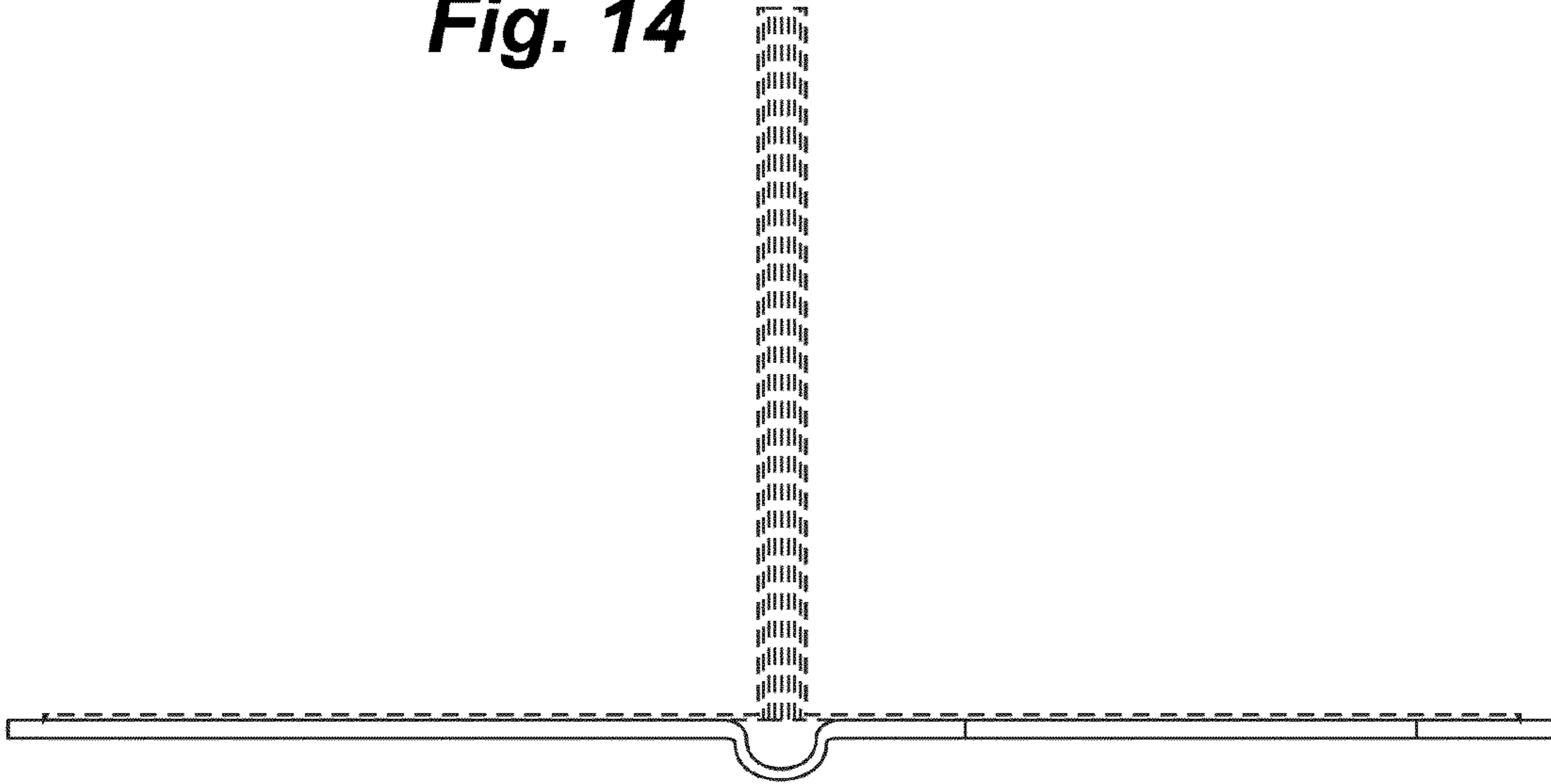
***Fig. 12***



***Fig. 13***



**Fig. 14**



**Fig. 15**

