



US00D720005S

(12) **United States Design Patent**
Cofone et al.

(10) **Patent No.:** **US D720,005 S**

(45) **Date of Patent:** **** Dec. 23, 2014**

(54) **NOTEBOOK**

(71) Applicants: **Joseph Cofone**, Long Island City, NY (US); **Adam Kornfield**, Long Island City, NY (US)

(72) Inventors: **Joseph Cofone**, Long Island City, NY (US); **Adam Kornfield**, Long Island City, NY (US)

(73) Assignee: **Baron Fig LLC**, Long Island City, NY (US)

(**) Term: **14 Years**

(21) Appl. No.: **29/481,303**

(22) Filed: **Feb. 4, 2014**

(51) **LOC (10) Cl.** **19-04**

(52) **U.S. Cl.**
USPC **D19/26**

(58) **Field of Classification Search**
USPC D19/26, 27, 28, 100; D3/900; 281/3.1, 281/15.1, 16, 21.1, 22, 27, 27.3, 28, 29, 35, 281/36, 37, 51; 402/8, 57, 73, 74, 78, 80 R; 462/7, 17, 55, 84
See application file for complete search history.

(56) **References Cited**

U.S. PATENT DOCUMENTS

370,793	A *	10/1887	Knight	281/15.1
877,553	A *	1/1908	Creek	281/38
1,395,372	A *	11/1921	Tooker	281/38
2,152,133	A *	3/1939	Brousseau	24/3.5
2,537,135	A *	1/1951	Hempel	281/29
D318,877	S *	8/1991	Miranda et al.	D19/26
5,499,847	A *	3/1996	Smith	281/37
D604,360	S *	11/2009	Savoy	D19/26
D606,586	S *	12/2009	Quintero	D19/26
D631,912	S *	2/2011	Epstein	D19/26

D649,185	S *	11/2011	Bakrania	D19/26
D695,341	S *	12/2013	Noskin	D19/26
2007/0114780	A1 *	5/2007	Glosh et al.	281/15.1
2009/0315313	A1 *	12/2009	Kalman	281/16

* cited by examiner

Primary Examiner — Sheryl Lane

Assistant Examiner — Ieisha Price

(74) *Attorney, Agent, or Firm* — King & Spalding LLP

(57) **CLAIM**

The ornamental design for a notebook, as shown and described.

DESCRIPTION

FIG. 1 is a bottom perspective view of a notebook, showing my new design;
 FIG. 2 is a top plan view thereof;
 FIG. 3 is a right side elevational view thereof;
 FIG. 4 is a bottom plan view thereof;
 FIG. 5 is a left side elevational view thereof;
 FIG. 6 is a front elevational view thereof;
 FIG. 7 is a rear elevational view thereof;
 FIG. 8 is a bottom perspective view of the aforementioned notebook in an open position with the pages facing up;
 FIG. 9 is a top perspective view of the aforementioned notebook in an open position with the pages facing down;
 FIG. 10 is a front elevational view of the aforementioned notebook in an open position;
 FIG. 11 is a top perspective view of the aforementioned notebook in an open position with the pages facing up; and,
 FIG. 12 is a side perspective view of the aforementioned notebook in an open position with the pages facing up.
 It should be understood that the bookmark is made of a flexible material and may appear in different positions depending upon the orientation of the book.

1 Claim, 10 Drawing Sheets

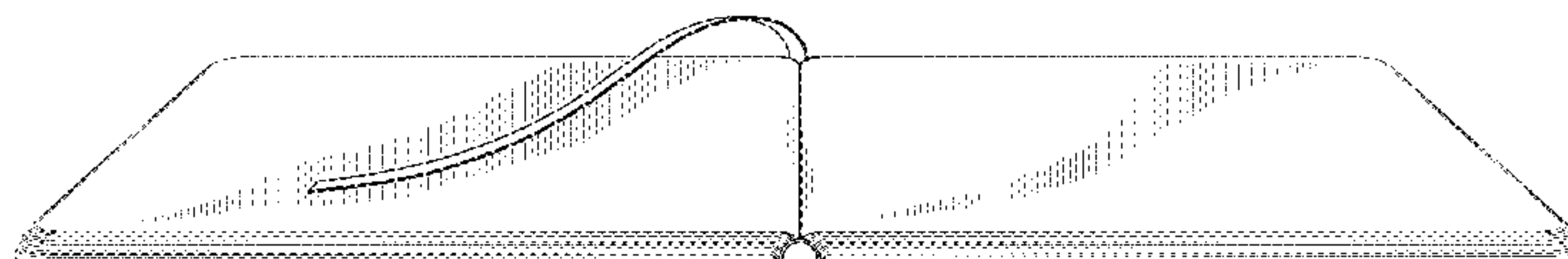
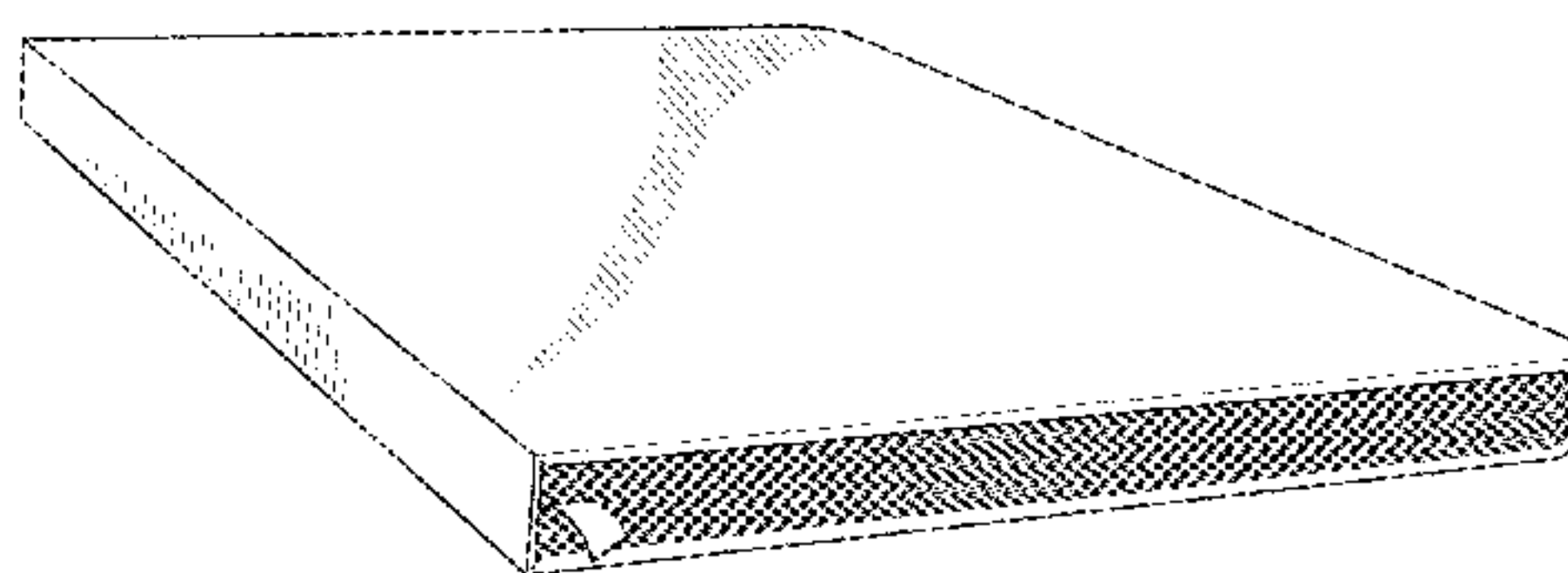


FIG. 1

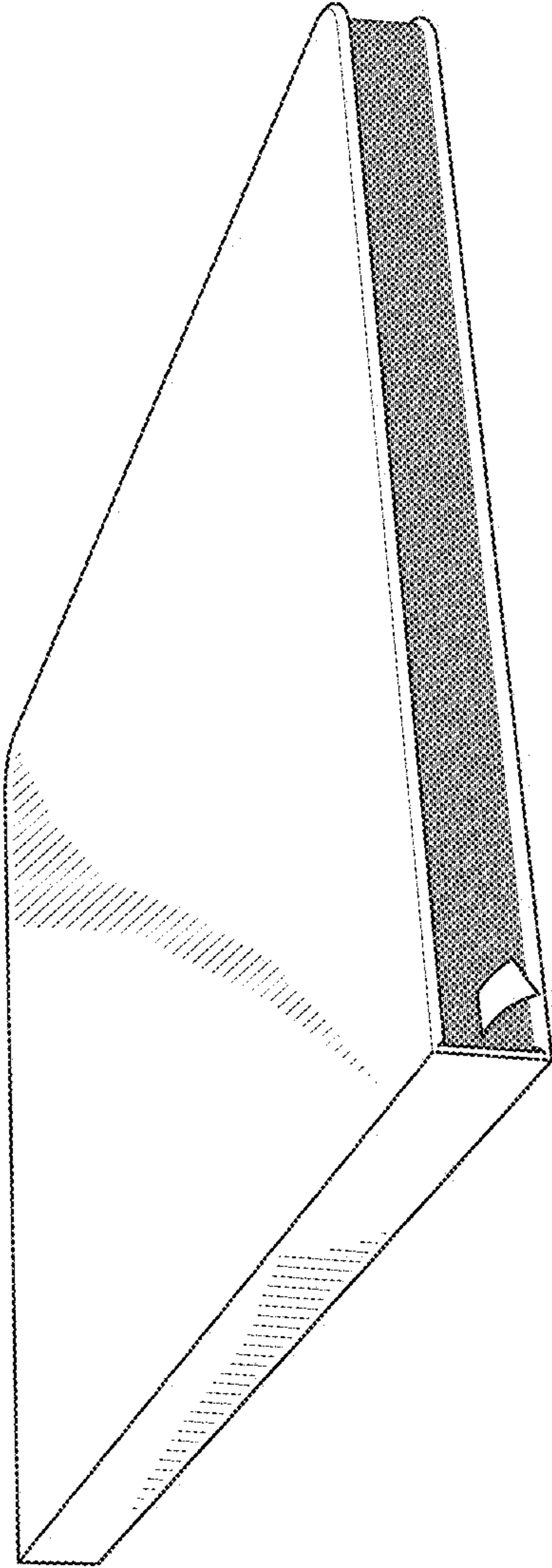


FIG. 2

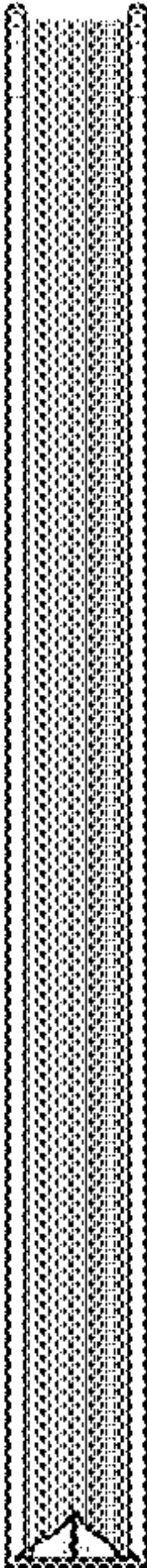


FIG. 3

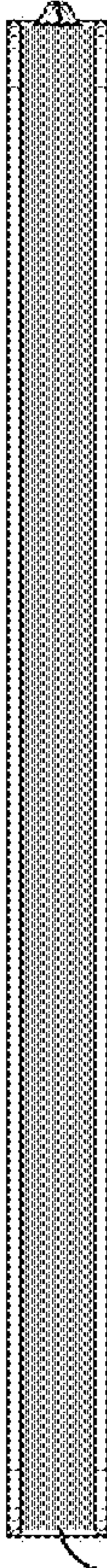


FIG. 4

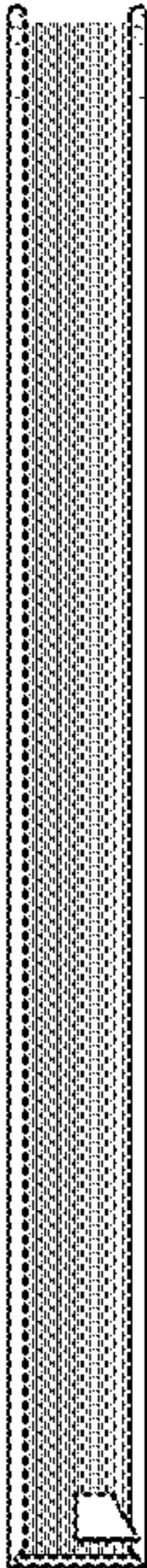


FIG. 5

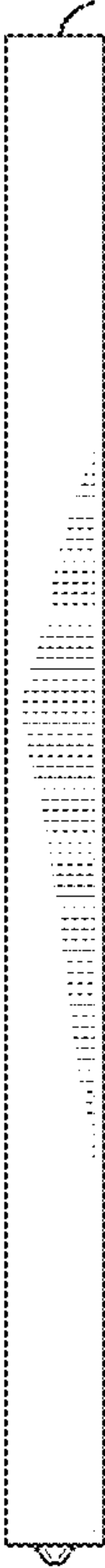


FIG. 6

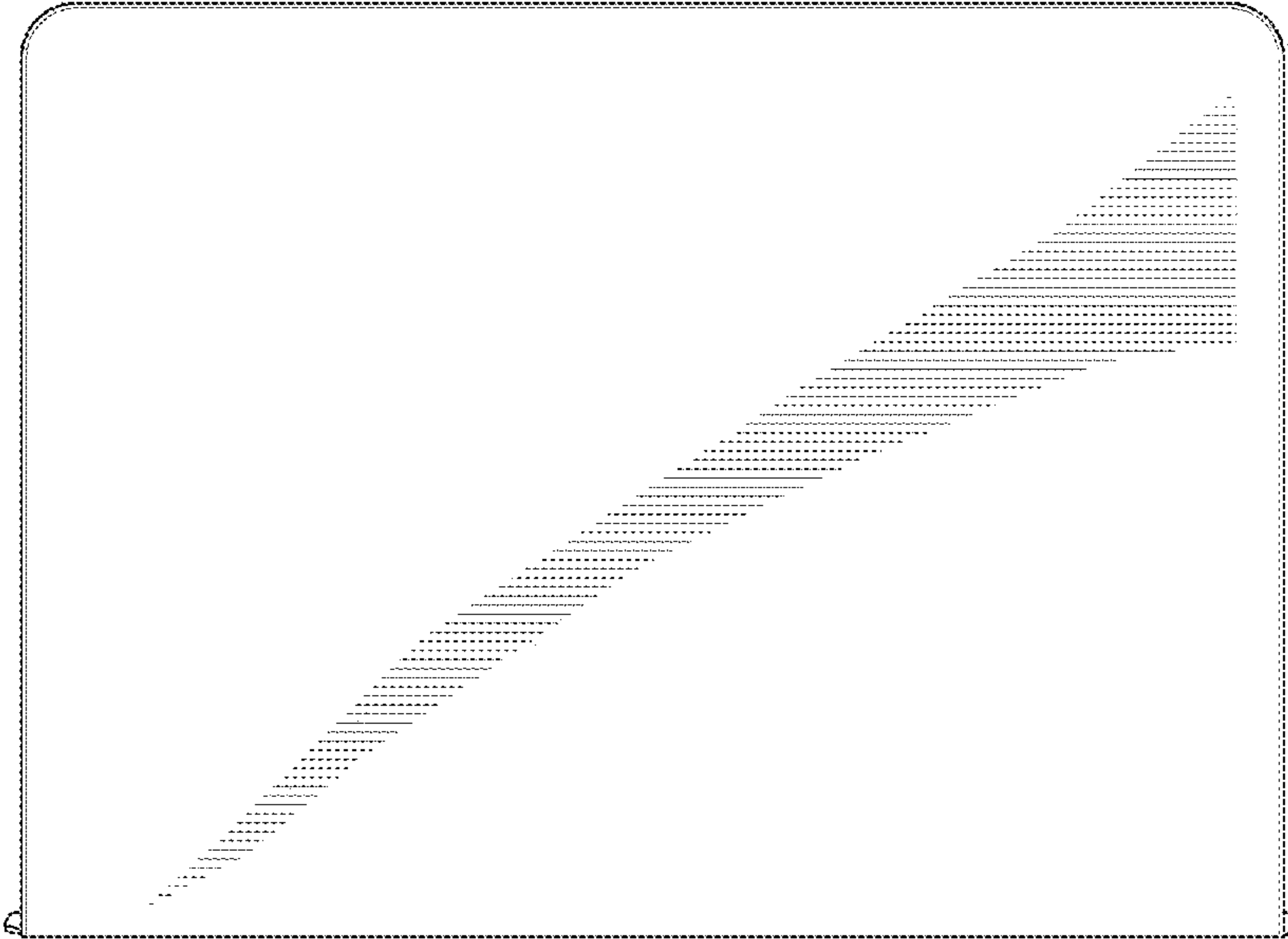


FIG. 7

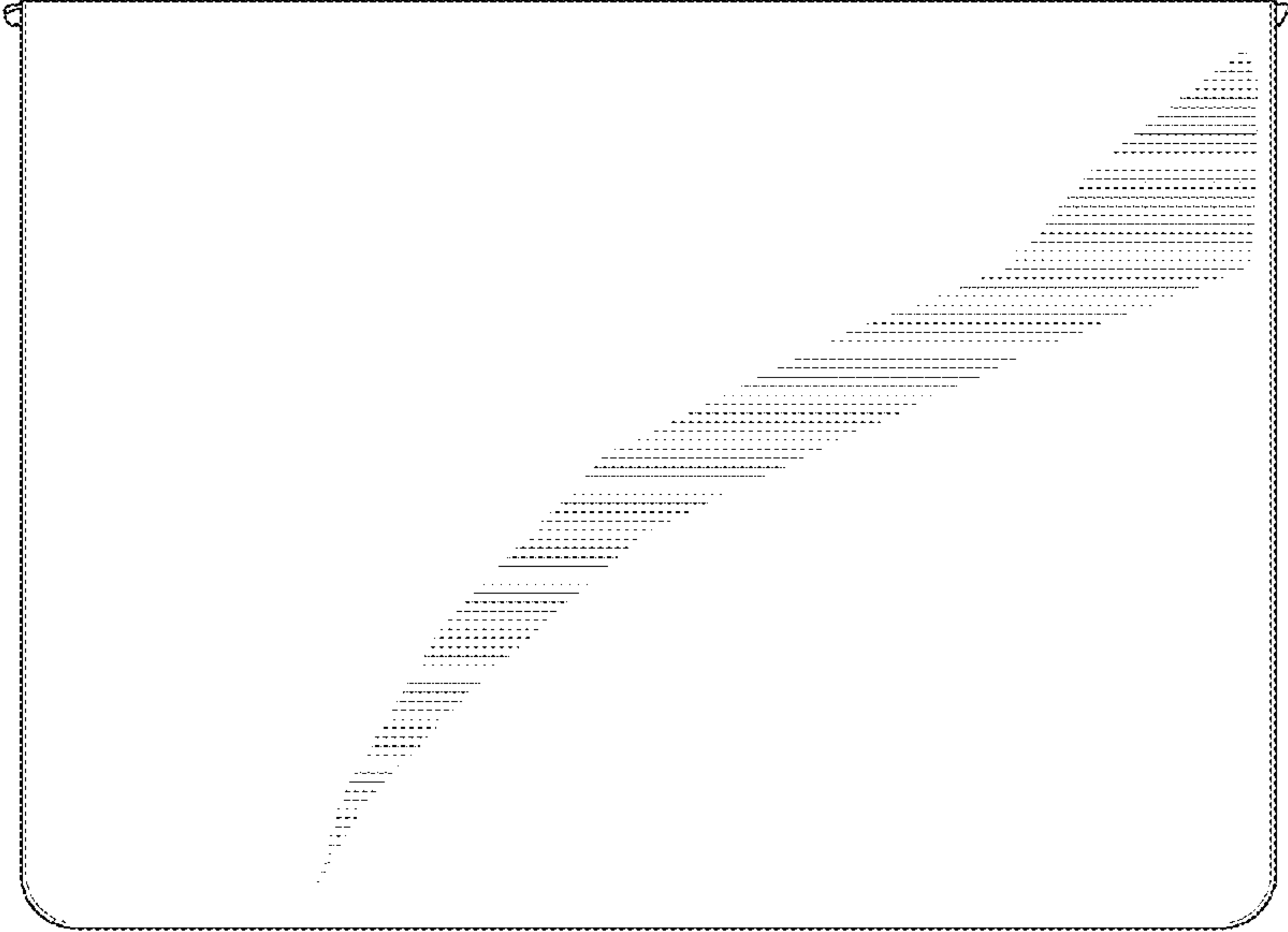


FIG. 8

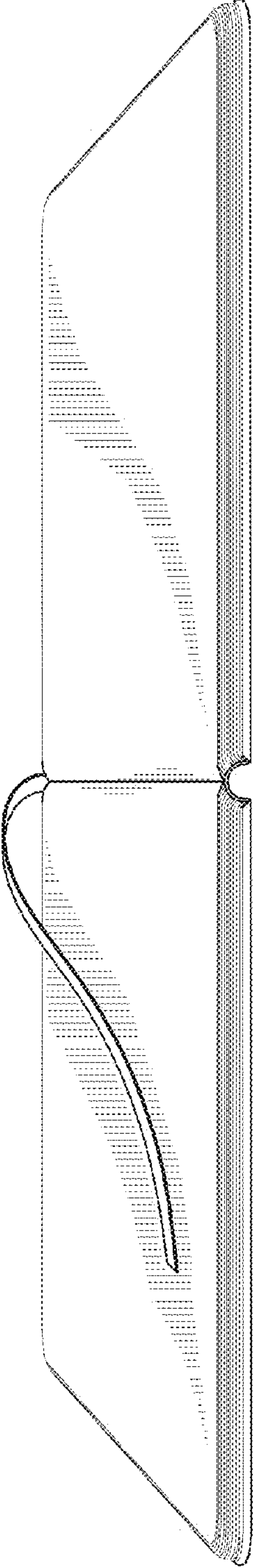


FIG. 9

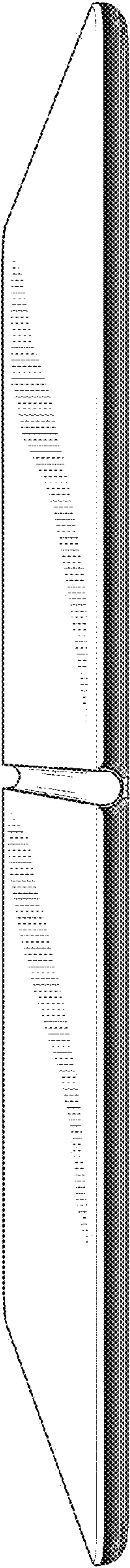


FIG. 10

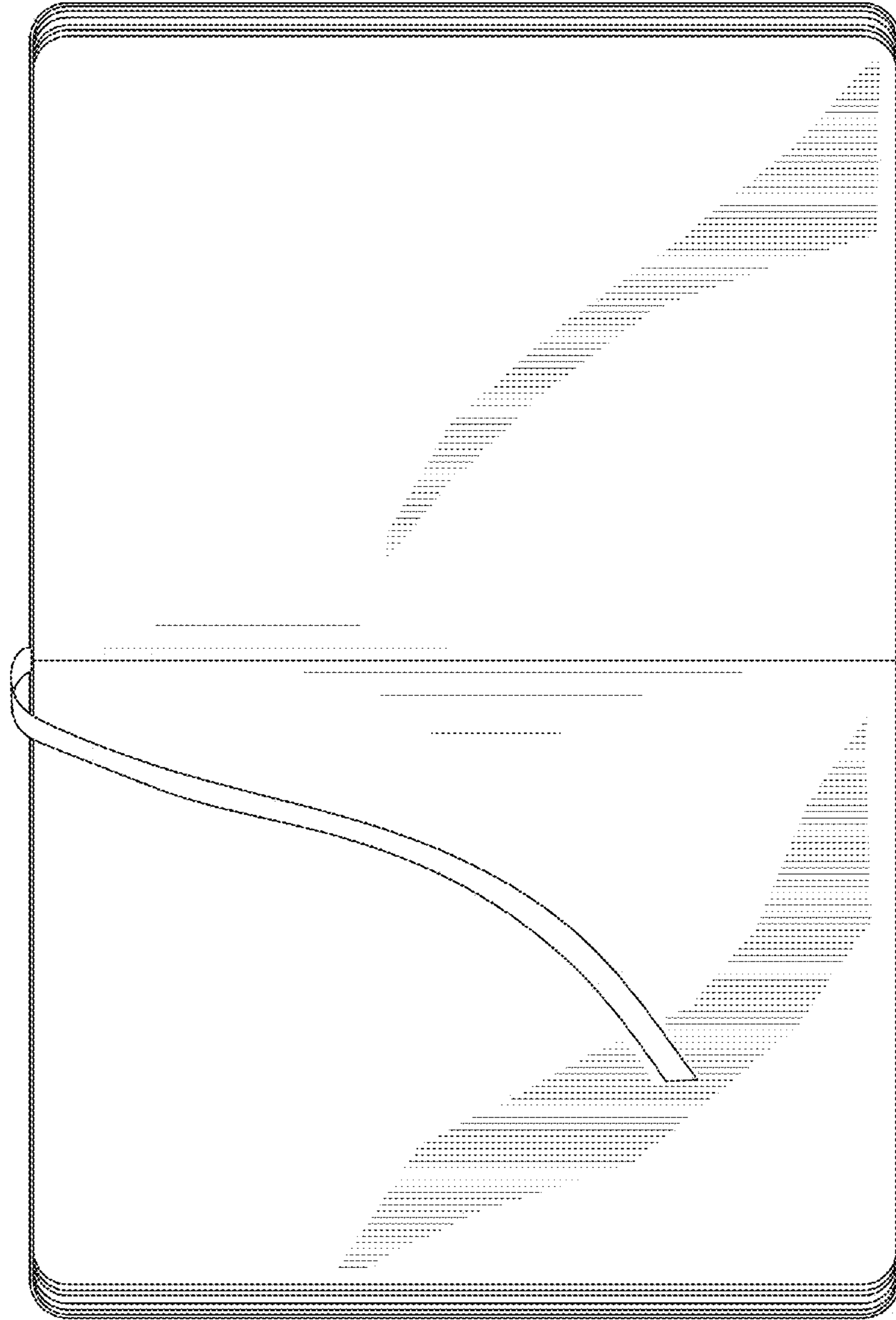


FIG. 11

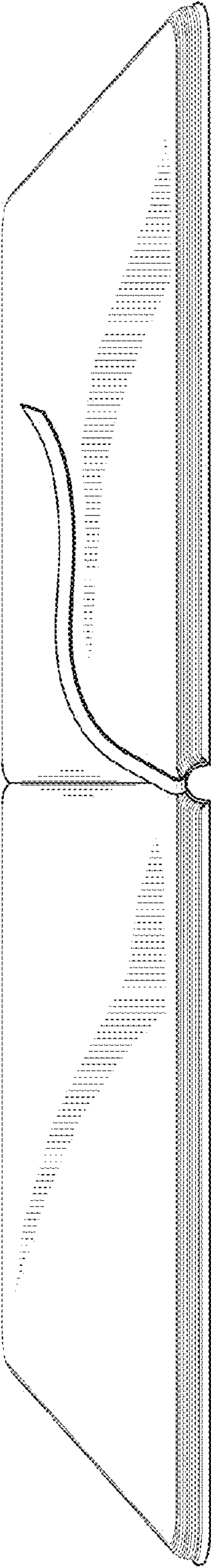


FIG. 12

