



US00D720001S

(12) **United States Design Patent**  
**Martell et al.**

(10) **Patent No.:** **US D720,001 S**  
(45) **Date of Patent:** **\*\* Dec. 23, 2014**

(54) **ENLARGEMENT PRINTER**  
(71) Applicant: **Graphic Products Corporation**,  
Beaverton, OR (US)  
(72) Inventors: **Robert W. Martell**, Portland, OR (US);  
**Richard Schoenert**, Sherwood, OR  
(US); **Daniel Bruce Meyer**, Lake  
Oswego, OR (US); **Stacy Foos**,  
Clackamas, OR (US); **Aron Stephenson**,  
Beaverton, OR (US); **Neal Blodgett**,  
Tigard, OR (US); **Tim Martin**, Portland,  
OR (US)

D260,999 S 9/1981 Schwartz  
D263,719 S 4/1982 McConnel  
D291,205 S 8/1987 Lavine  
D295,613 S 5/1988 Tanner  
D298,142 S 10/1988 Page  
D298,254 S 10/1988 Morozumi  
D304,952 S 12/1989 Fukuda  
D306,157 S 2/1990 Davis  
D307,725 S 5/1990 Paik  
D319,071 S 8/1991 Tamasaku  
D322,264 S 12/1991 Jewison  
D332,623 S 1/1993 Iwanaga  
D371,159 S 6/1996 Hart  
D375,119 S 10/1996 Pangburn  
D407,740 S 4/1999 Ina

(Continued)

(73) Assignee: **Graphic Products**, Beaverton, OR (US)

(\*\*) Term: **14 Years**

(21) Appl. No.: **29/445,297**

(22) Filed: **Feb. 9, 2013**

(51) **LOC (10) Cl.** ..... **14-02**

(52) **U.S. Cl.**  
USPC ..... **D18/50**

(58) **Field of Classification Search**  
USPC ..... D18/36-39, 50, 54, 54.1, 55, 14, 19,  
D18/52; D14/420-425, 463-470; 400/613,  
400/613.1-613.4, 690.1-690.4, 691-694,  
400/88; D16/200; 101/93.04, 327; 156/384,  
156/574, 579; 235/462.45; 347/109; 355/76  
See application file for complete search history.

(56) **References Cited**

U.S. PATENT DOCUMENTS

1,581,999 A \* 4/1926 Gates ..... 355/76  
D114,259 S 4/1939 Brenkert  
D122,823 S 10/1940 Kallusch  
D196,687 S 10/1963 Van Valkinburgh  
D243,758 S 3/1977 Miller

*Primary Examiner* — Cathy A MacCormac

(74) *Attorney, Agent, or Firm* — Applied Logic Patents;  
Andrew B. Levy

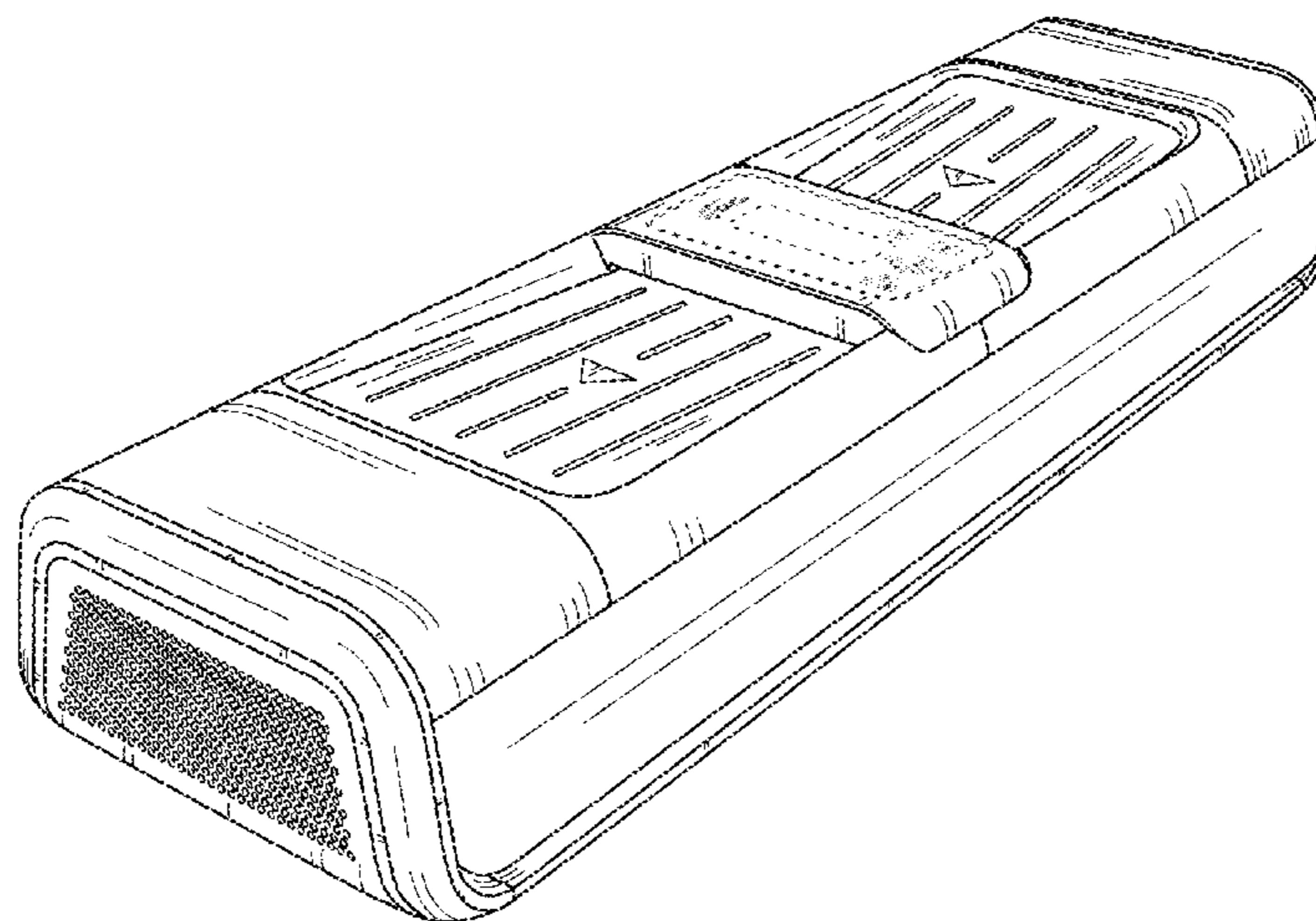
(57) **CLAIM**

The ornamental design for an enlargement printer, as shown  
and described.

**DESCRIPTION**

FIG. 1 is a top plan view of an enlargement printer.  
FIG. 2 is a front elevational view of an enlargement printer.  
FIG. 3 is a rear elevational view of an enlargement printer.  
FIG. 4 is a left side elevational view of an enlargement printer.  
FIG. 5 is a bottom plan view of an enlargement printer.  
FIG. 6 is a top, front, and right side perspective view of an  
enlargement printer; and,  
FIG. 7 is a top, front, and left side perspective view of an  
enlargement printer.  
The broken lines are for illustration only and form no part of  
the claimed designed.  
The DuraLabel logo is a registered trademark of Graphic  
Products Corporation.

**1 Claim, 3 Drawing Sheets**



(56)

**References Cited**

U.S. PATENT DOCUMENTS

D411,228 S 6/1999 Kobayashi  
D415,128 S \* 10/1999 Kitera ..... D14/422  
D418,158 S \* 12/1999 Aihara et al. .... D18/50  
D438,240 S 2/2001 Kimura  
D445,126 S 7/2001 Shimizu  
D464,080 S 10/2002 Yamano

D475,083 S 5/2003 Kusanagi  
D499,444 S \* 12/2004 Hwang ..... D18/50  
D520,552 S 5/2006 Miyashita  
D521,044 S 5/2006 Miyashita  
D531,206 S 10/2006 Hegge  
D631,479 S \* 1/2011 Komuro et al. .... D14/422  
D636,776 S \* 4/2011 Kuroda et al. .... D14/422  
D644,265 S \* 8/2011 Inada et al. .... D18/50  
D682,834 S \* 5/2013 Ishikawa et al. .... D14/422

\* cited by examiner

FIG. 1

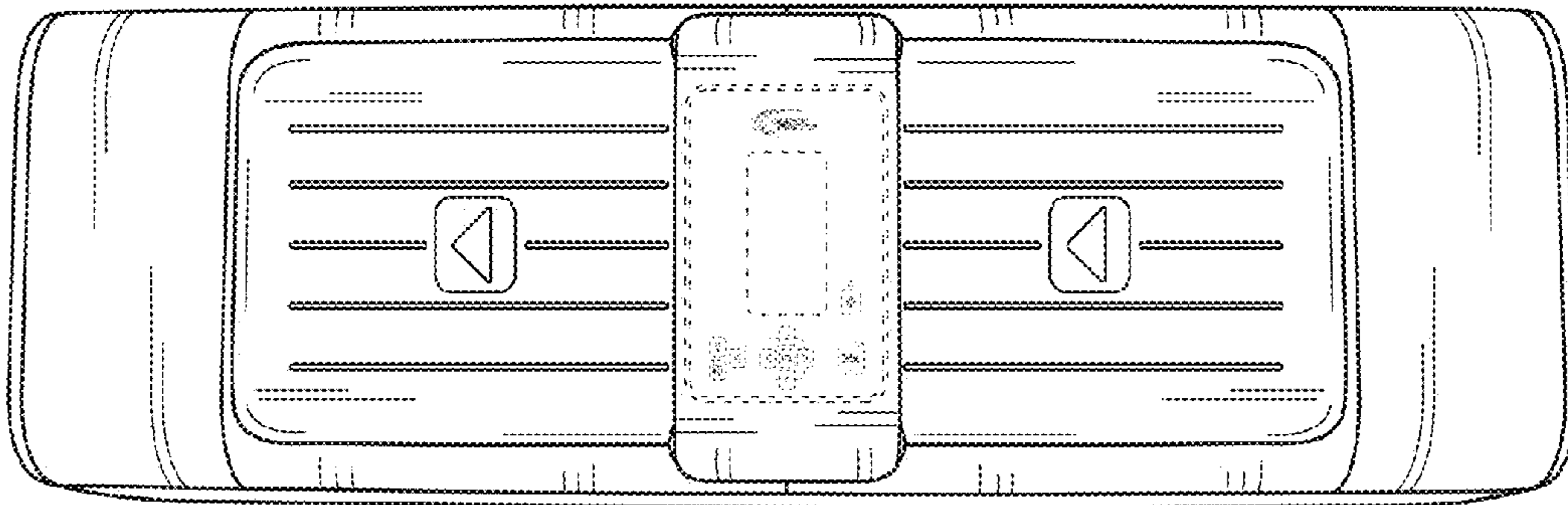


FIG. 2

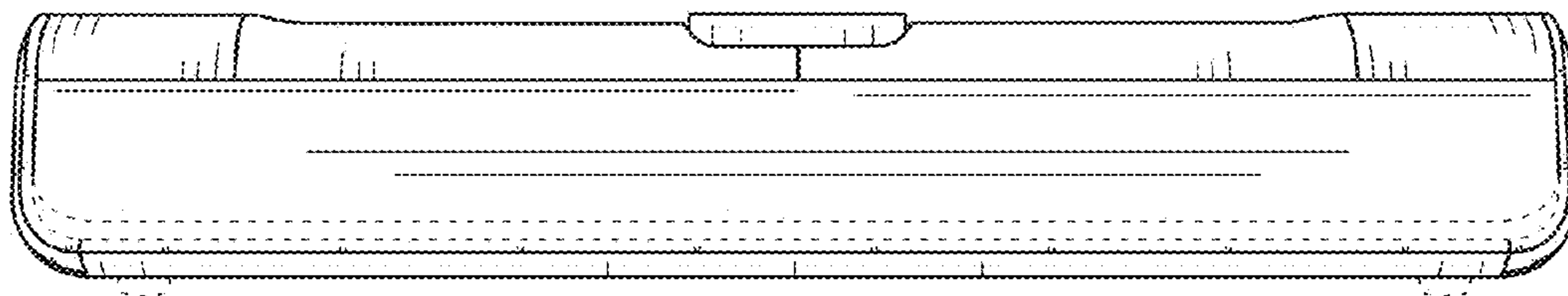


FIG. 3

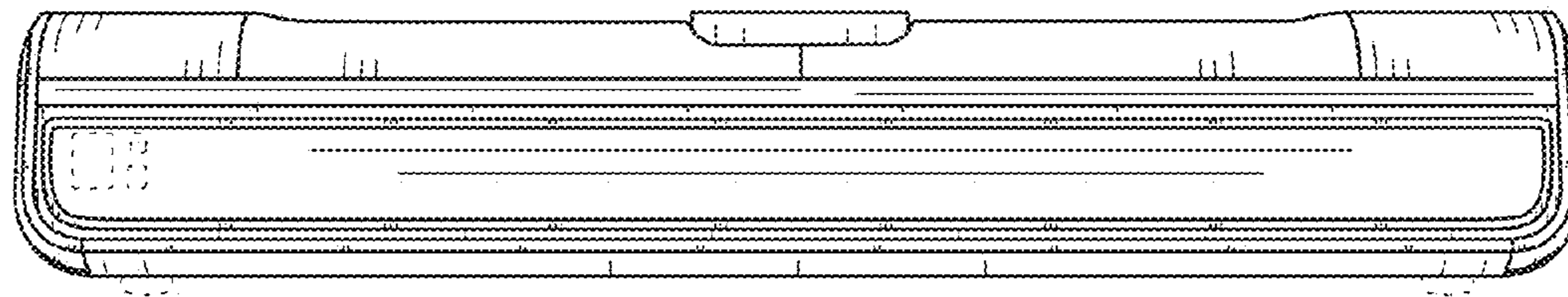


FIG. 4

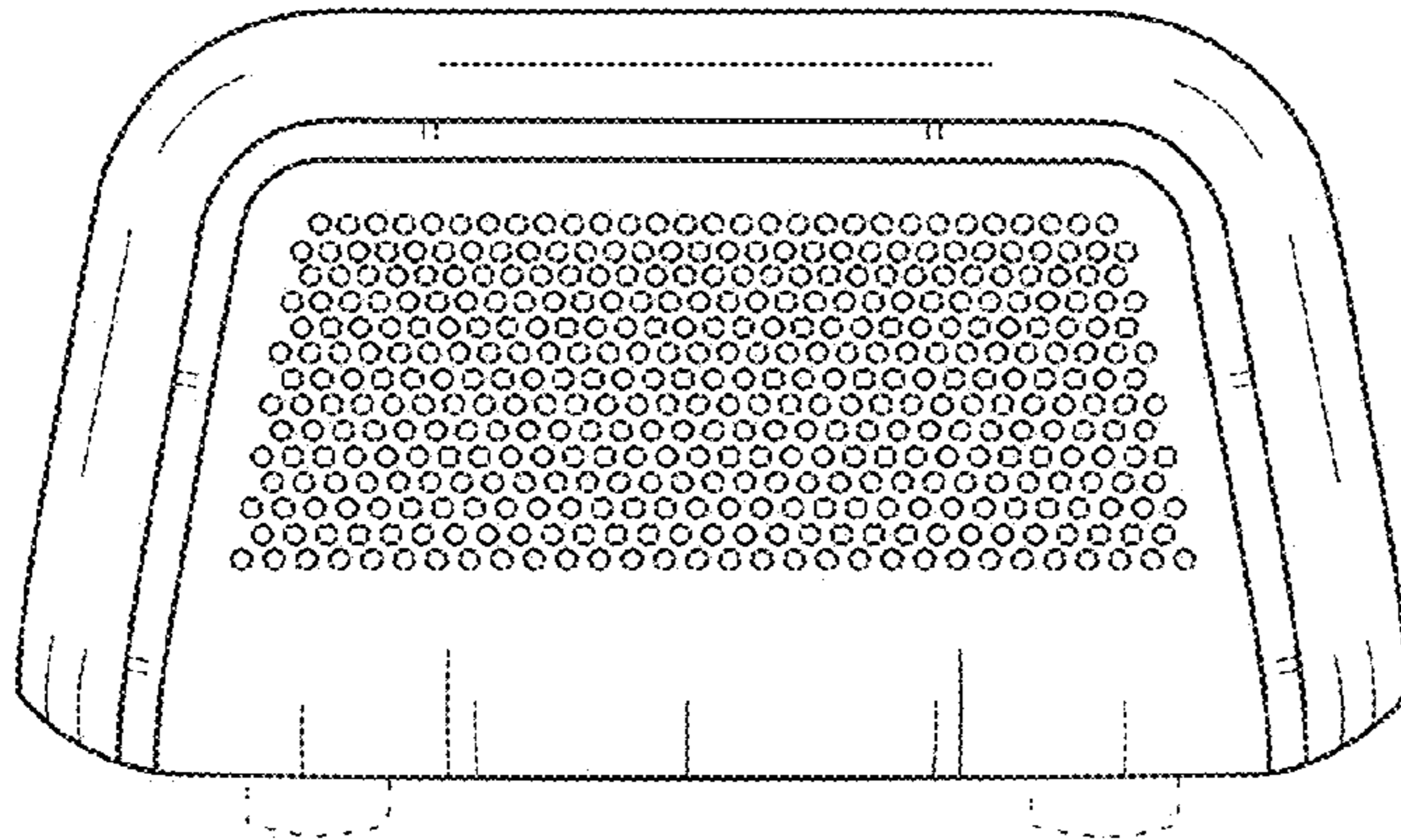


FIG. 5

